



US00D981789S

(12) **United States Design Patent** (10) **Patent No.:** **US D981,789 S**
Zhu (45) **Date of Patent:** **** Mar. 28, 2023**

(54) **CUP WITH LID AND STRAW**
(71) Applicant: **Xiaohui Zhu**, Xuzhou (CN)
(72) Inventor: **Xiaohui Zhu**, Xuzhou (CN)
(**) Term: **15 Years**
(21) Appl. No.: **29/847,394**
(22) Filed: **Jul. 25, 2022**
(51) **LOC (14) Cl.** **07-01**
(52) **U.S. Cl.**
USPC **D7/511**; D7/510
(58) **Field of Classification Search**
USPC D7/507, 509, 510, 511, 529, 531, 532,
D7/523, 533-536, 543, 392.1, 396.1,
D7/396.2, 300.1, 300.2, 608, 612;
D3/202; D26/9; D9/574, 516, 559, 563
CPC A47G 19/22; A47G 19/2288; A47G
19/2205; A47J 41/0077; A47J 41/0088
See application file for complete search history.

D961,332 S * 8/2022 Winkelmann D7/509
D968,958 S * 11/2022 Harris D7/510
2021/0206534 A1* 7/2021 Yu A47J 41/0077

FOREIGN PATENT DOCUMENTS

CN 305263655 * 7/2019
CN 305502350 * 12/2019
CN 307478881 * 8/2022

OTHER PUBLICATIONS

BonAppetit [online] URL: <https://www.bonappetit.com/gallery/reusable-iced-coffee-cups> (site visited: Oct. 6, 2022) (Year: 2021).*
Augusta [online] URL: <https://www.amazon.com/dp/B0B3DTG5NC> (site visited: Oct. 6, 2022) (Year: 2022).*
Mason Life [online] URL: <https://www.amazon.com/Coffee-Straws-Glasses-Drinking-Smoothie/dp/B09TZSWZ5W> (site visited: Oct. 6, 2022) (Year: 2022).*

(Continued)

Primary Examiner — Michael C Stout
Assistant Examiner — Tia Ruth-Renee Polidori

(56) **References Cited**

U.S. PATENT DOCUMENTS

D288,766 S * 3/1987 Tardif A47J 41/0077
D7/523
D476,193 S * 6/2003 Janky D7/510
D640,094 S * 6/2011 Carlson D7/532
D642,921 S * 8/2011 Endert D9/454
D662,761 S * 7/2012 Wahl D7/354
D700,513 S * 3/2014 Carsrud D9/447
D721,920 S * 2/2015 Coon D7/510
D729,581 S * 5/2015 Boroski D7/510
D836,982 S * 1/2019 Diener D7/509
D878,160 S * 3/2020 Corbet D7/532
D887,215 S * 6/2020 Winkelmann D7/509
D893,953 S * 8/2020 Tobias
D914,439 S * 3/2021 Reaux D9/449
D921,433 S * 6/2021 Gronkowski D7/510
D949,635 S * 4/2022 Pisarevsky D7/624.2
D955,217 S * 6/2022 Choi D7/392.1

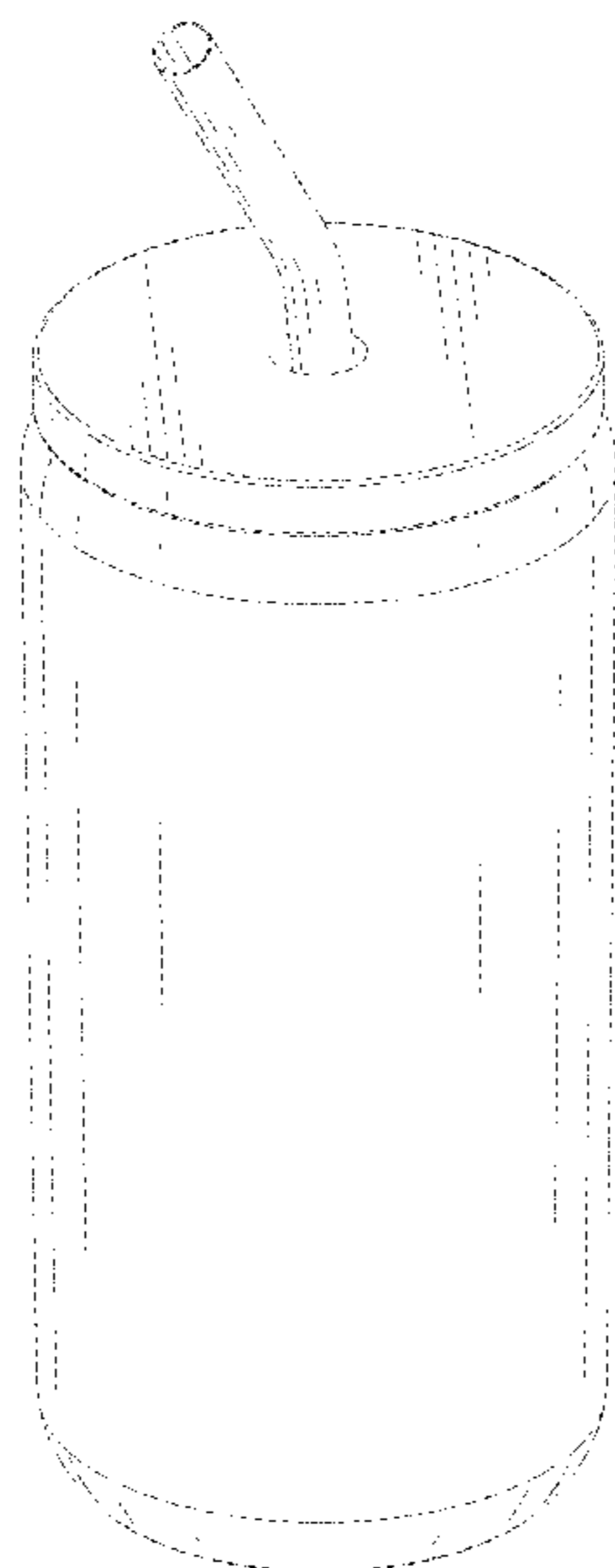
(57) **CLAIM**

The ornamental design for a cup with lid and straw, as shown and described.

DESCRIPTION

FIG. 1 is a front and top perspective view of a cup with lid and straw, showing my new design;
FIG. 2 is a rear and bottom perspective view thereof;
FIG. 3 is a front elevation view thereof;
FIG. 4 is a rear elevation view thereof;
FIG. 5 is a left side elevation view thereof;
FIG. 6 is a right side elevation view thereof;
FIG. 7 is a top plan view thereof; and,
FIG. 8 is a bottom plan view thereof.

1 Claim, 8 Drawing Sheets



(56)

References Cited

OTHER PUBLICATIONS

PYD Life [online] URL: <https://www.amazon.com/dp/B09SHRCPBT> (site visited: Oct. 6, 2022) (Year: 2022).*

Tumbler Sublimation [online] URL: <https://www.tumblersublimation.com/products/16oz-sublimation-glass-tumbler-beer-can-w-bamboo-lids-case-50-units-transparent-frosted> (site visited: Oct. 6, 2022) (Year: 2022).*

* cited by examiner

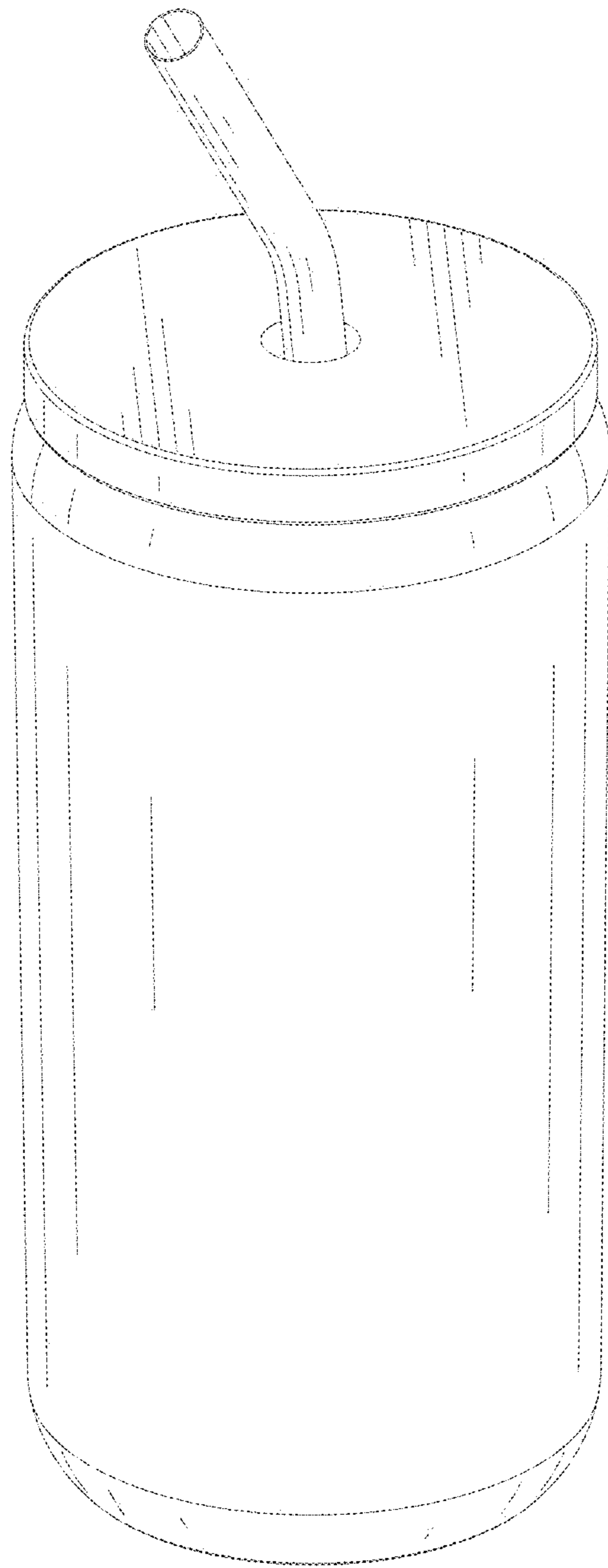


FIG. 1

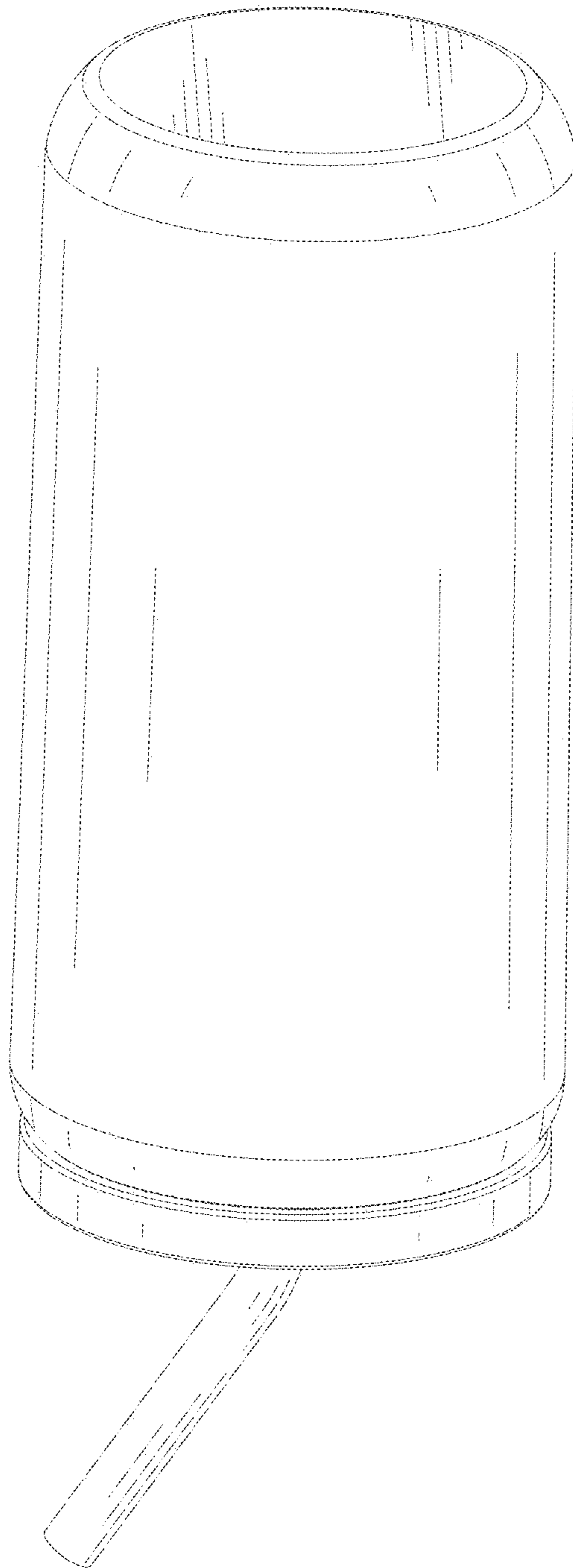


FIG. 2

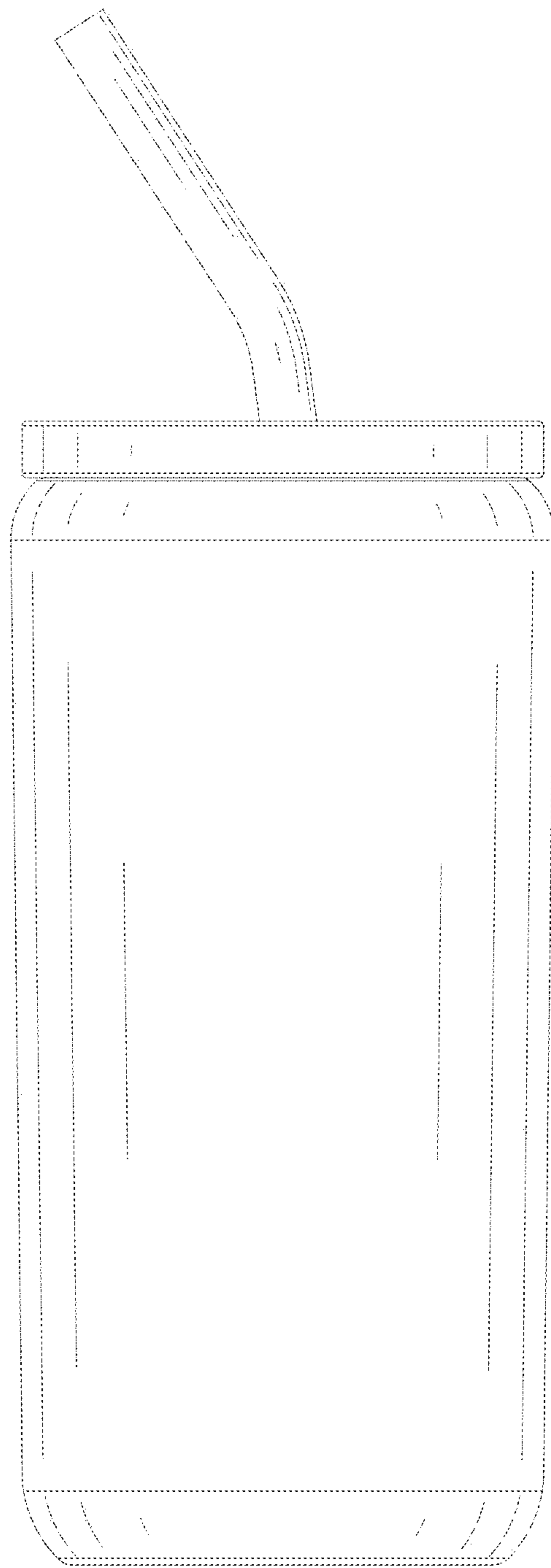


FIG. 3

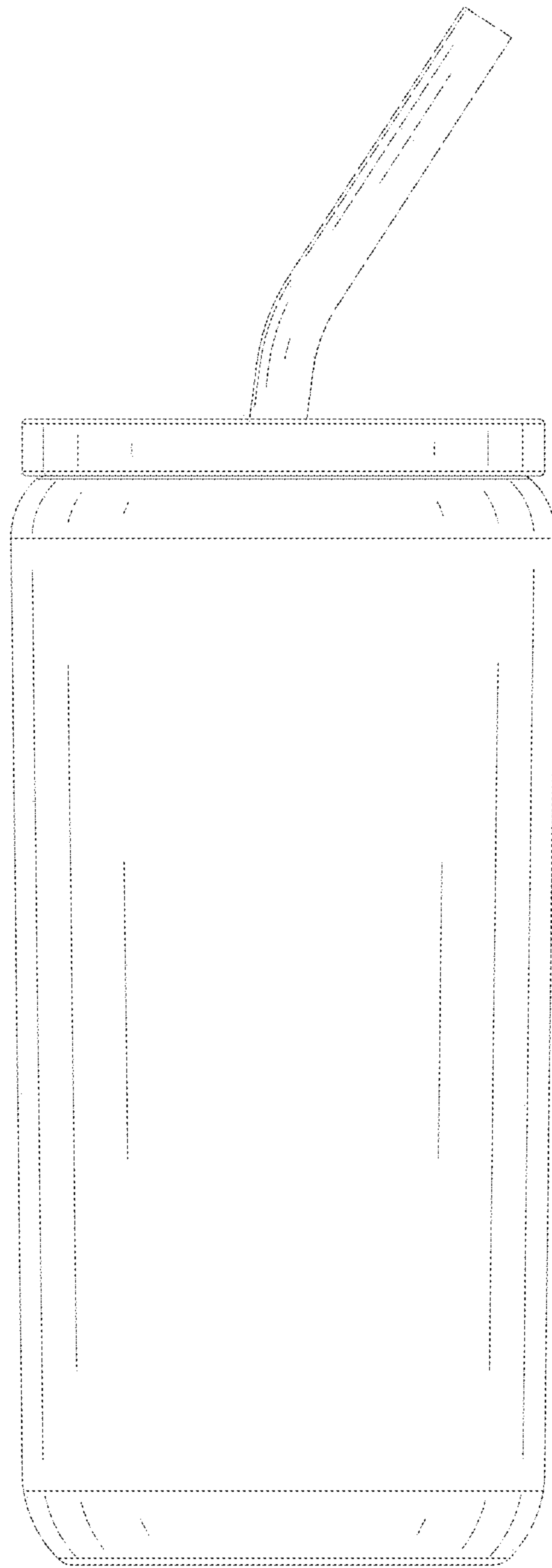


FIG. 4

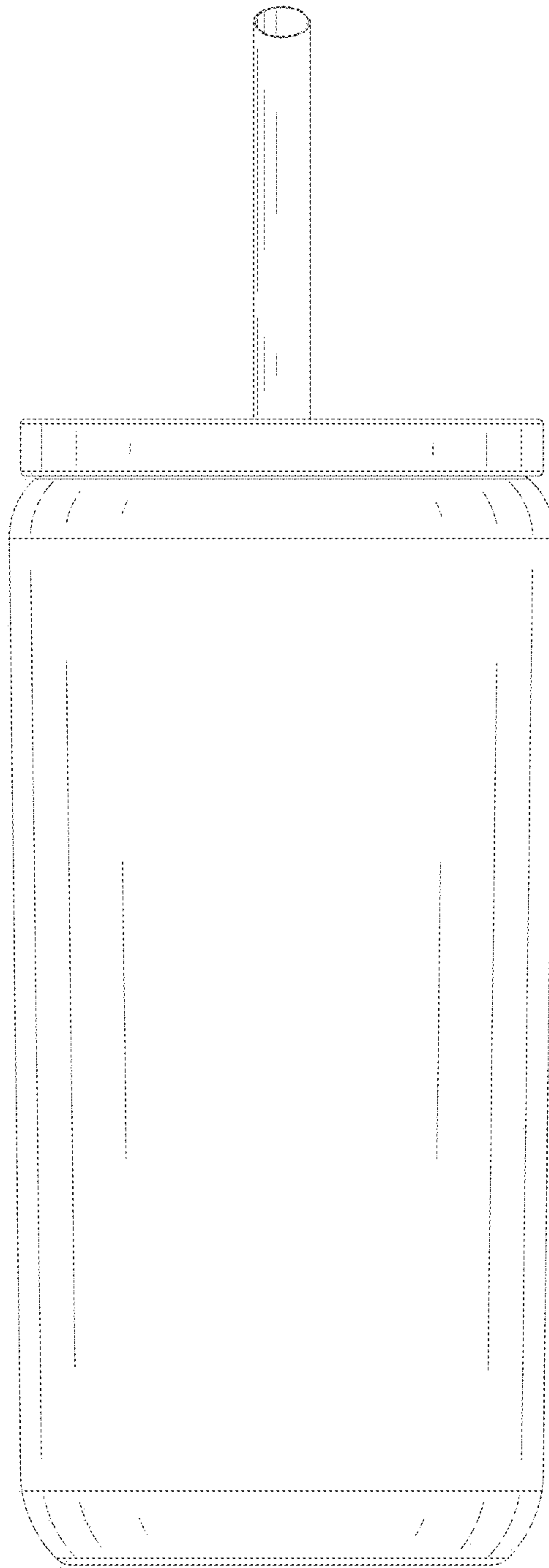


FIG. 5

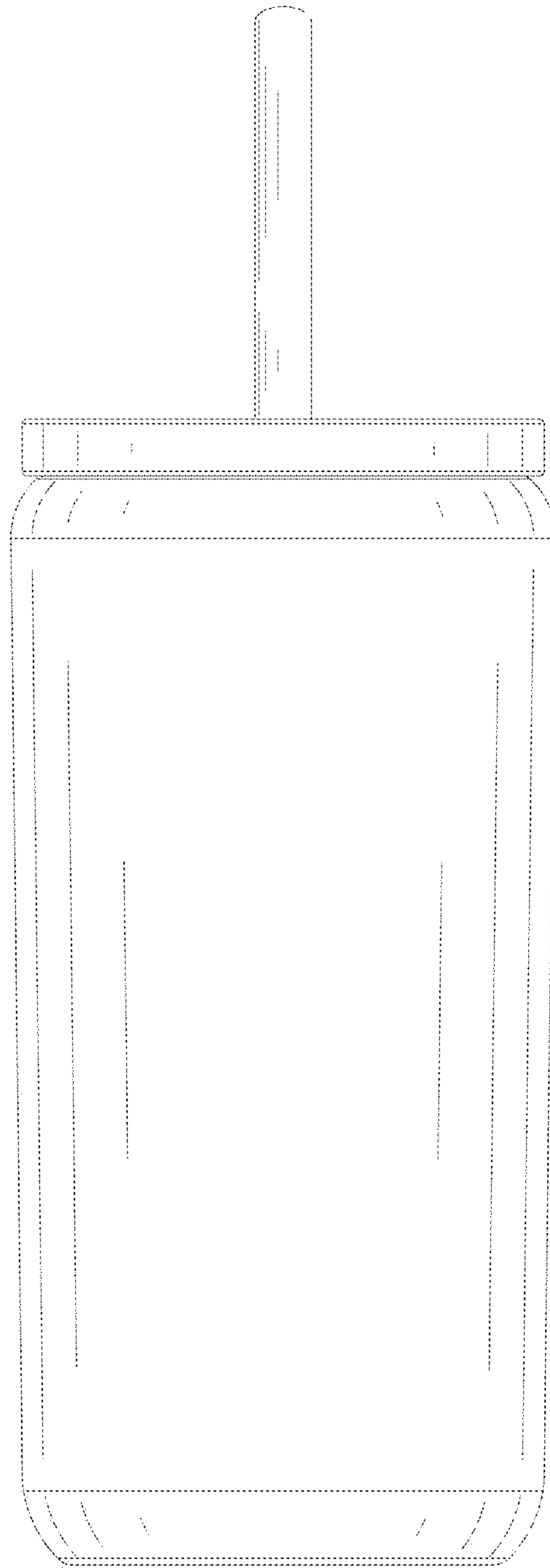


FIG. 6

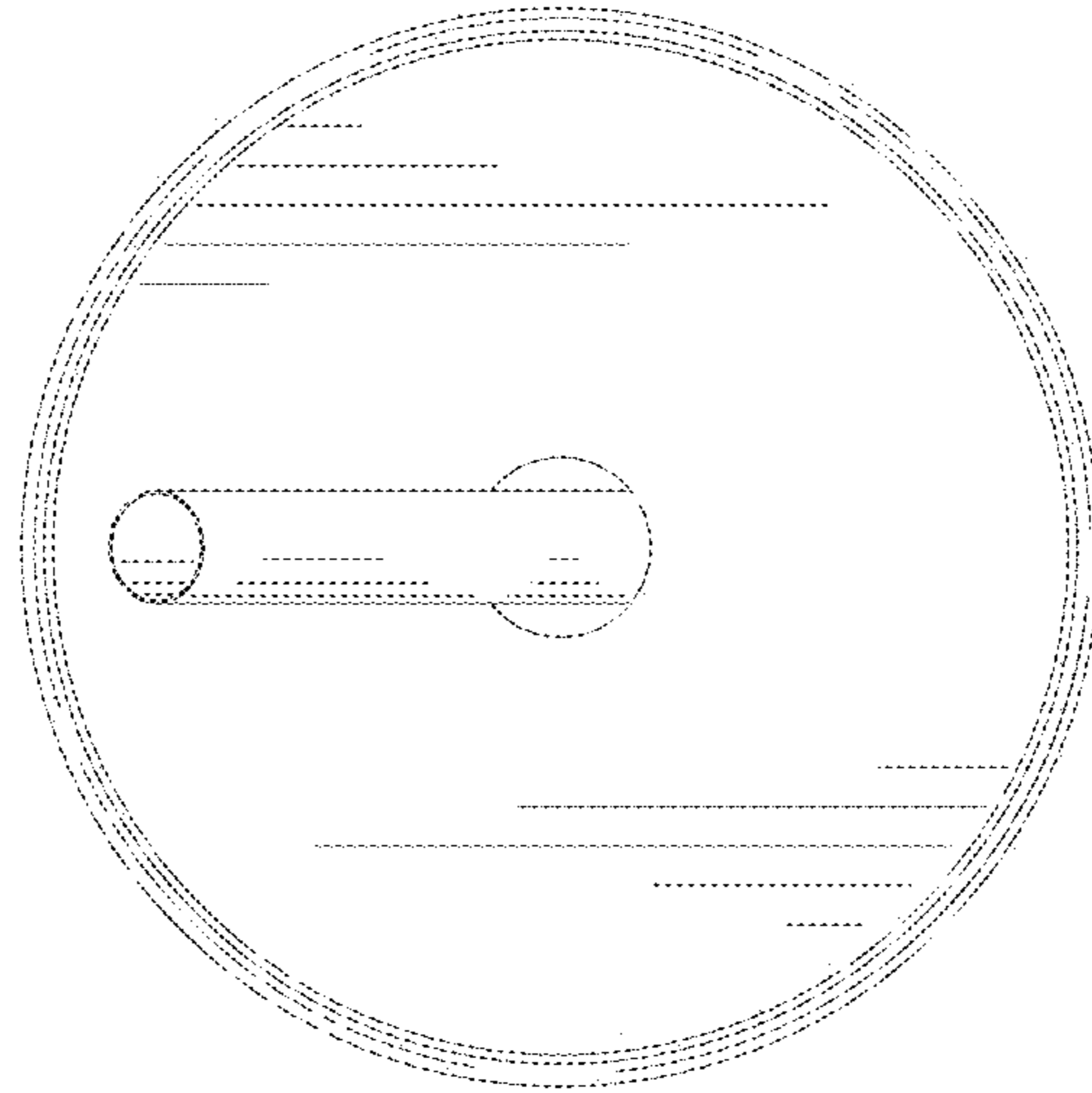


FIG. 7

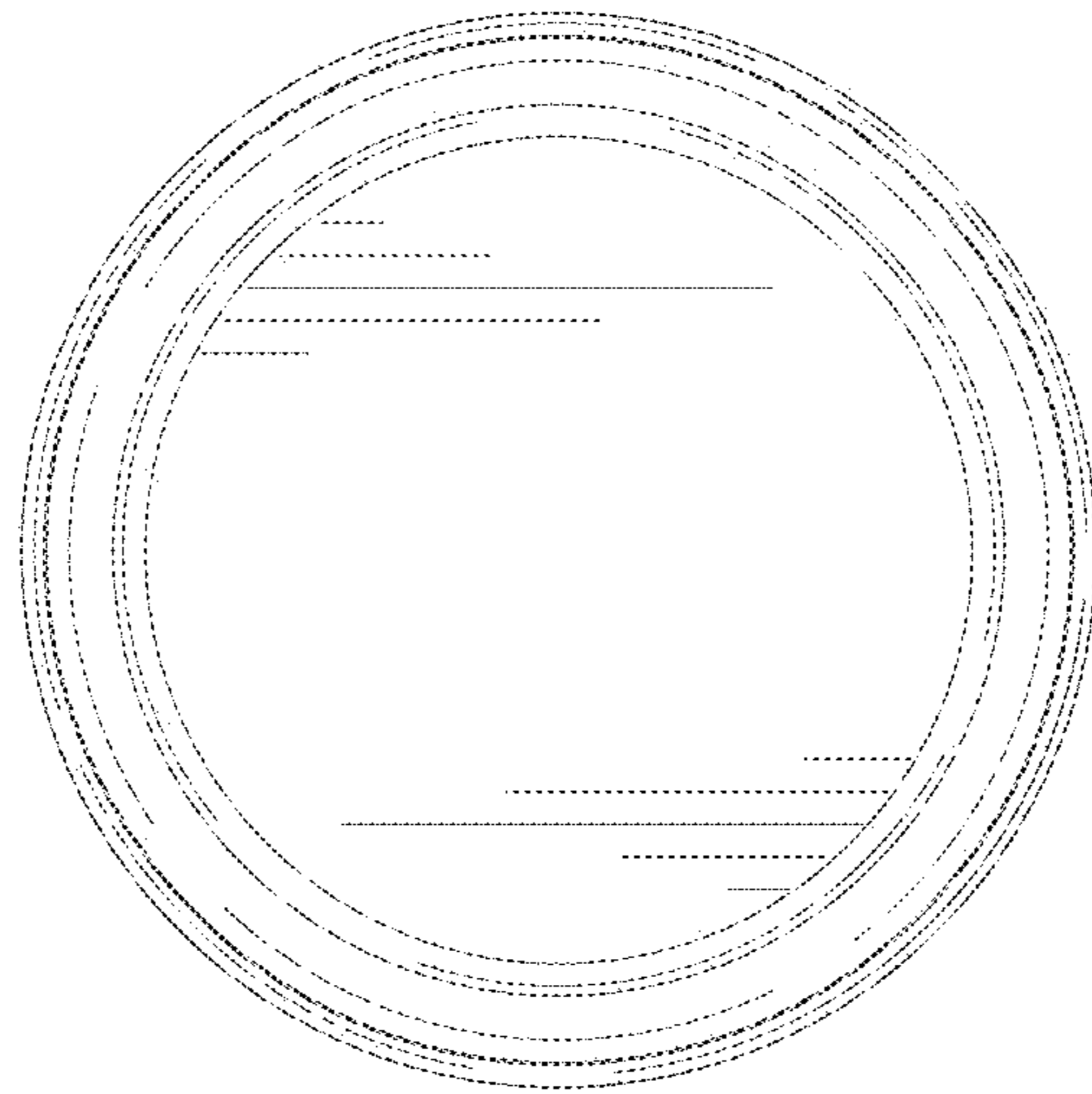


FIG. 8