



US00D981787S

(12) **United States Design Patent**
Jacob

(10) **Patent No.:** **US D981,787 S**
(45) **Date of Patent:** **** Mar. 28, 2023**

(54) **BEVERAGE SYSTEM**

(71) Applicant: **BruMate, INC.**, Dover, DE (US)
(72) Inventor: **Dylan M. Jacob**, Denver, CO (US)
(73) Assignee: **BruMate, INC.**, Denver, CO (US)

(**) Term: **15 Years**

(21) Appl. No.: **29/738,867**

(22) Filed: **Jun. 19, 2020**

(51) **LOC (14) Cl.** **07-01**

(52) **U.S. Cl.**

USPC **D7/510; D7/524; D7/509**

(58) **Field of Classification Search**

USPC **D7/507, 509, 510, 511, 533, 536, 392.1, D7/396.1, 396.2, 608, 900; D30/132,**
(Continued)

(56) **References Cited**

U.S. PATENT DOCUMENTS

D168,409 S * 12/1952 Kell D7/524
D173,106 S * 9/1954 Foster D7/524

(Continued)

FOREIGN PATENT DOCUMENTS

CA 117429 * 7/2007

OTHER PUBLICATIONS

BruMate [online] URL: <https://www.facebook.com/MyBruMate/photos/2396386417298338> (site visited: Apr. 29, 2022) (Year: 2019).*

(Continued)

Primary Examiner — Jae Liang

Assistant Examiner — Tia Ruth-Renee Polidori

(74) *Attorney, Agent, or Firm* — Shook, Hardy & Bacon LLP

(57) **CLAIM**

The ornamental design for a beverage system, as shown and described.

DESCRIPTION

FIG. 1 is a front elevation view of a beverage system showing my new design, with the lid portion removed for clarity of disclosure;

FIG. 2 is a rear elevation view thereof;

FIG. 3 is a right-side elevation view thereof;

FIG. 4 is a left-side elevation view thereof;

FIG. 5 is a top plan view thereof;

FIG. 6 is bottom plan view thereof;

FIG. 7 is a top perspective view thereof;

FIG. 8 is a front elevation view of a beverage system, showing my new design and shown with the lid portion and with the container portion for clarity of disclosure;

FIG. 9 is a rear elevation view thereof;

FIG. 10 is a right-side elevation view thereof;

FIG. 11 is a left-side elevation view thereof;

FIG. 12 is a top plan view thereof;

FIG. 13 is bottom plan view thereof;

FIG. 14 is a top perspective view thereof;

FIG. 15 is a front elevation view of a beverage system, shown with the container portion removed for clarity of disclosure;

FIG. 16 is a rear elevation view thereof;

FIG. 17 is a right-side elevation view thereof;

FIG. 18 is a left-side elevation view thereof;

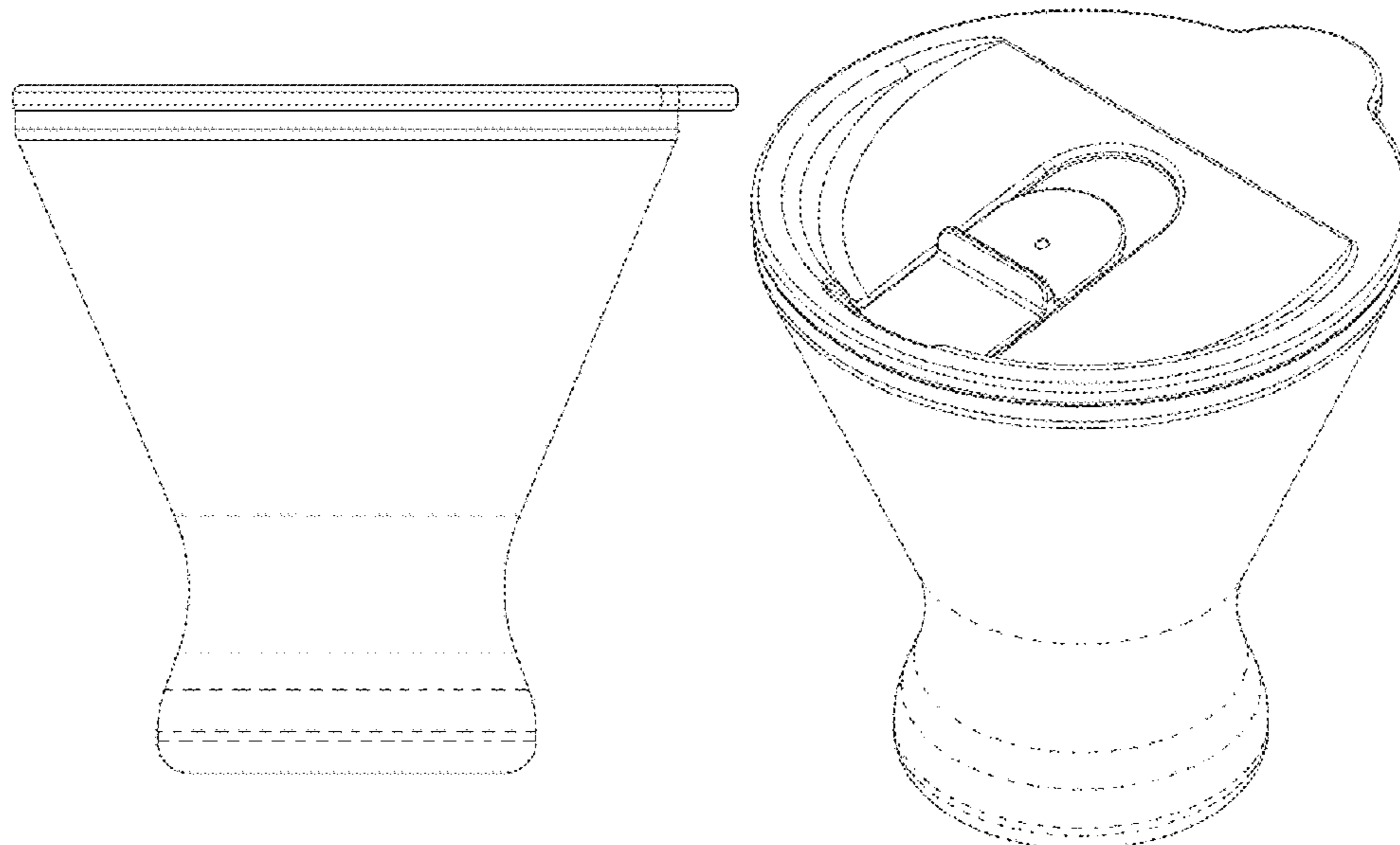
FIG. 19 is a top plan view thereof;

FIG. 20 is a bottom plan view thereof; and,

FIG. 21 is a top perspective view thereof.

The even-dash broken lines in the drawing depict portions of the beverage system that form no part of the claimed design. The dot-dash lines indicate boundaries of the claimed design.

1 Claim, 19 Drawing Sheets



(58) **Field of Classification Search**

USPC D30/121, 122, 123, 124, 125, 126, 127,
 D30/128, 129, 130, 131, 133; D9/443,
 D9/449, 561; D3/202; D29/125, 126
 CPC A47G 19/2205; A47G 23/16; A47G
 19/2272; A47J 41/00; A47J 41/02; A47J
 41/0077; Y10S 220/903; B65D 21/02;
 B65D 43/00; B65D 41/00
 See application file for complete search history.

(56) **References Cited**

U.S. PATENT DOCUMENTS

D235,364 S * 6/1975 Fassauer D11/146
 D256,309 S * 8/1980 Saffell D7/527
 D285,032 S * 8/1986 Alonzo D34/1
 D304,514 S * 11/1989 Vezirian D99/25
 D388,660 S * 1/1998 Grundl D7/509
 D440,465 S * 4/2001 La Torre D7/510
 D515,359 S * 2/2006 Andrews D7/523
 D527,223 S * 8/2006 Thun D7/523
 D537,682 S * 3/2007 Roth D7/629
 D560,098 S * 1/2008 Barducci D7/509
 D568,103 S * 5/2008 Bodum D7/509
 D579,675 S * 11/2008 Paterson D6/349
 D644,064 S * 8/2011 DuBois D30/129
 D707,373 S * 6/2014 Nugent D26/22
 D717,603 S * 11/2014 Federighi D7/509
 D729,013 S * 5/2015 Riedel D7/524
 D731,245 S * 6/2015 Beller D7/532
 D741,110 S * 10/2015 Haessig D7/533
 D742,694 S * 11/2015 Malaspino D7/532
 D790,272 S * 6/2017 Han D7/396.2
 D801,746 S * 11/2017 Thuma D7/392.1
 D811,817 S * 3/2018 Harrington, III D7/510
 D822,428 S * 7/2018 Thuma D7/392.1

D851,997 S * 6/2019 Calderaio D7/523
 D861,321 S * 10/2019 Petre D3/202
 D861,432 S * 10/2019 Ou D7/672
 D877,570 S * 3/2020 Coleman D7/532
 D922,146 S * 6/2021 Hume D7/532
 D923,400 S * 6/2021 Wang D7/396.2
 D929,801 S * 9/2021 Henkel D7/392.1
 D931,682 S * 9/2021 Calderaio D7/510
 D933,418 S * 10/2021 Sareault D9/449
 2014/0183204 A1 * 7/2014 Kao A47G 19/2205
 220/737
 2016/0353909 A1 * 12/2016 Fishbone A47G 19/23
 2018/0184824 A1 * 7/2018 Calderaio B65D 77/0493
 2020/0054174 A1 * 2/2020 Calderaio B65D 51/20

OTHER PUBLICATIONS

BruMate [online] URL: https://www.amazon.com/-/es/Br%C3%BCMate-MargTini-Martini-Margarita-aislamiento/dp/B07X1ZKXZD/ref=cm_cr_ar_p_d_product_top?ie=UTF8&th=1 (site visited: Apr. 29, 2022) (Year: 2019).*

BruMate [online] URL: <https://cowgirlmagazine.com/brumate/> (site visited: Apr. 29, 2022) (Year: 2019).*

Jillmo [online] URL: <https://www.amazon.com/dp/B0991D2BS5> (site visited: Apr. 29, 2022) (Year: 2021).*

Snowfox [online] URL: <https://www.amazon.com/SNOWFOX-Insulated-Stainless-Stemless-Martini/dp/B07CGFGGPB> (site visited: Nov. 1, 2022) (Year: 2018).*

Boozelab [online] URL: <https://www.amazon.com/BoozeLab-Margarita-Insulated-Stainless-Cocktail/dp/B099WWMK6T> (site visited: Nov. 1, 2022) (Year: 2021).*

Docktails [online] URL: <https://havefungrowyoung.com/products/docktails-insulated-martini-cup-with-lid-hawaiian-blue> (site visited: Nov. 1, 2022) (Year: 2021).*

* cited by examiner

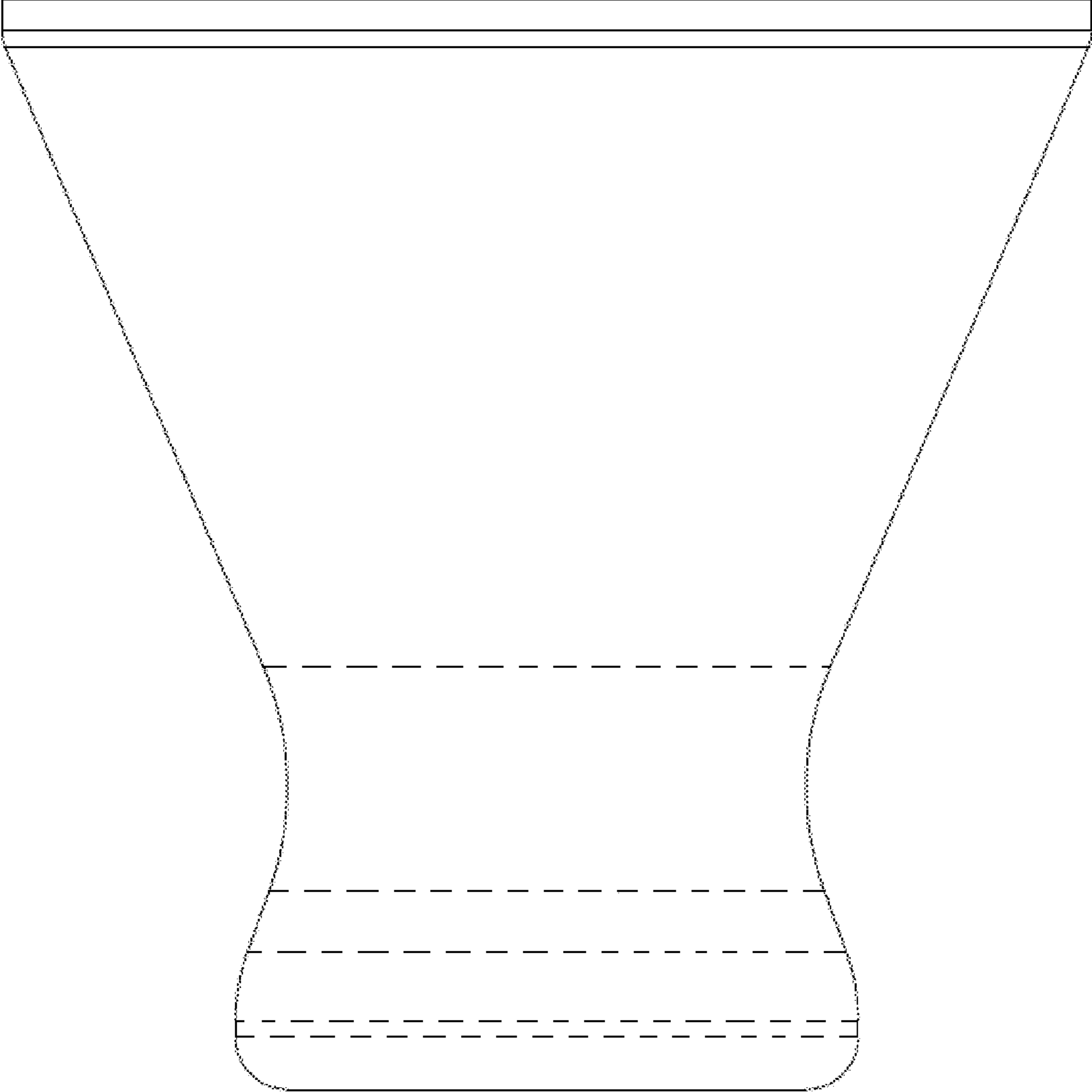


FIG. 1

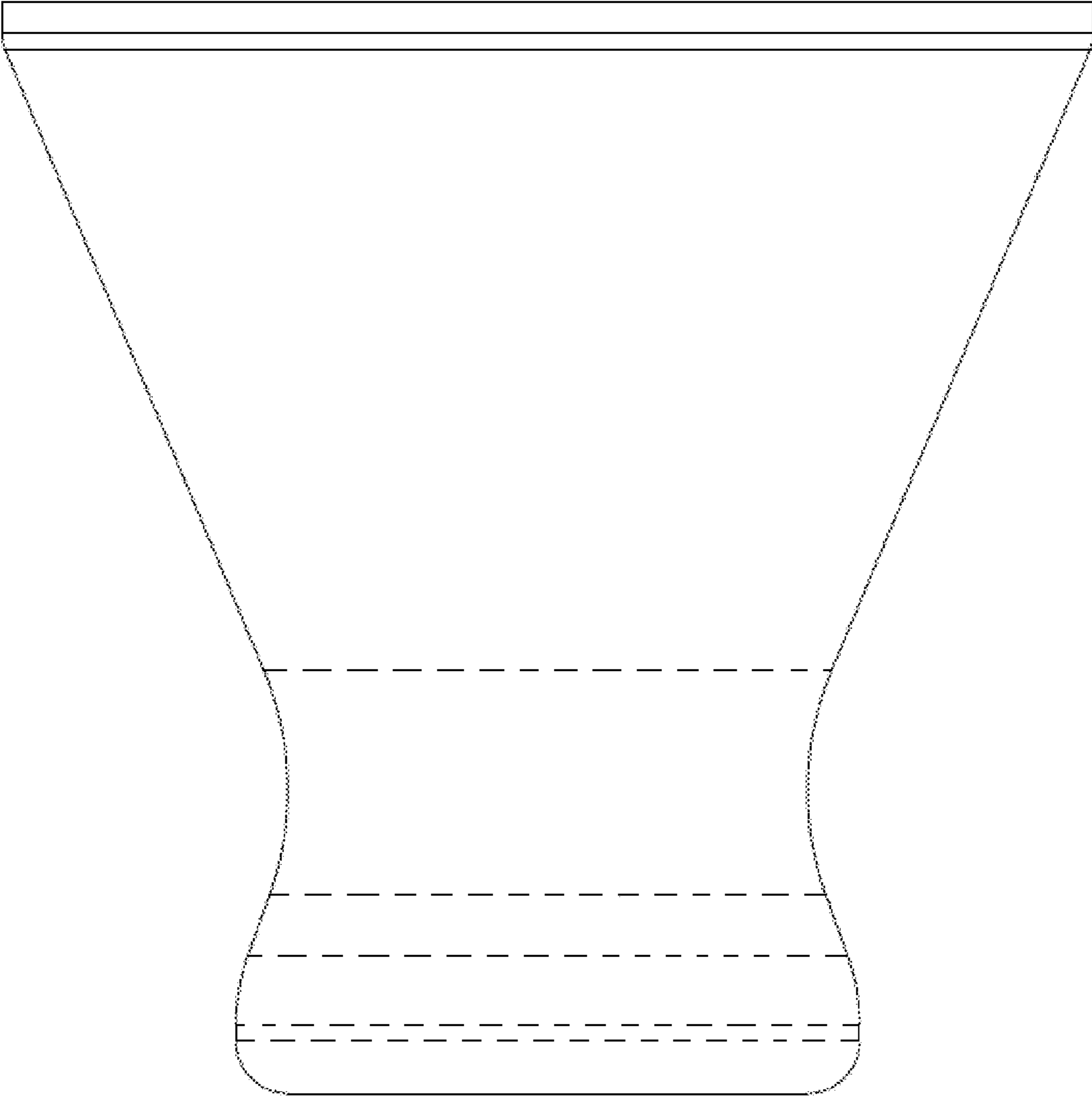


FIG. 2

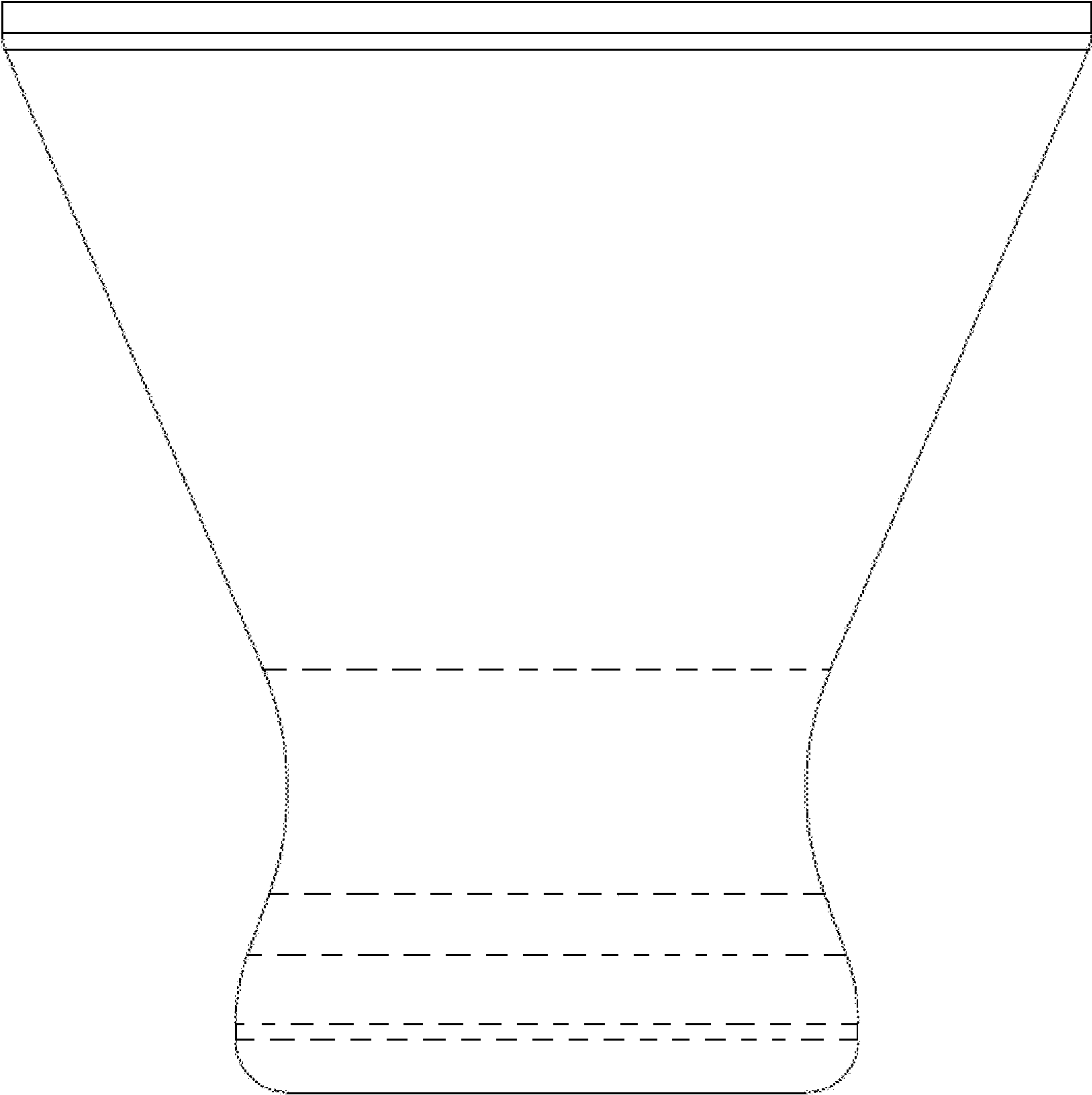


FIG. 3

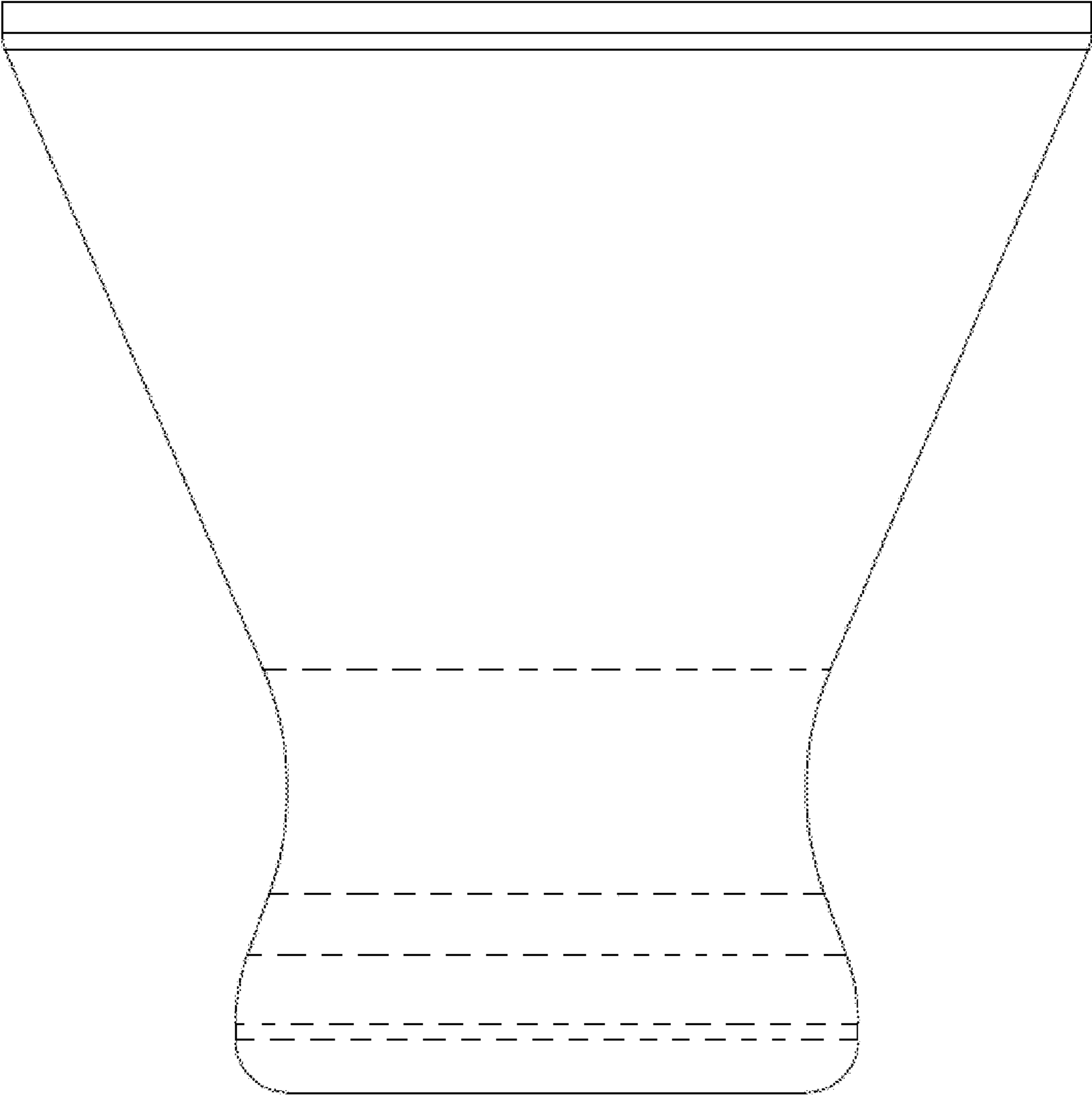


FIG. 4

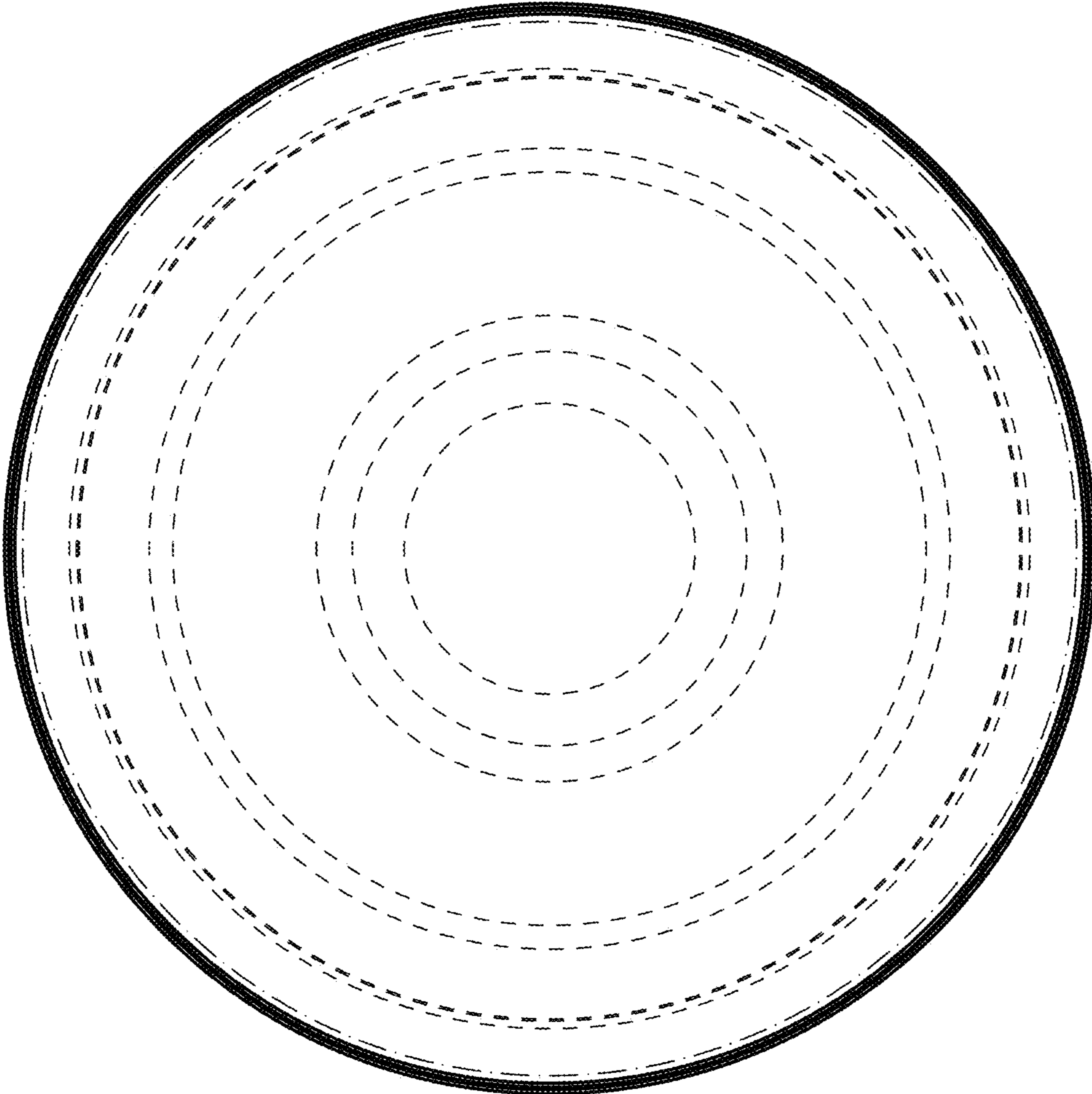


FIG. 5

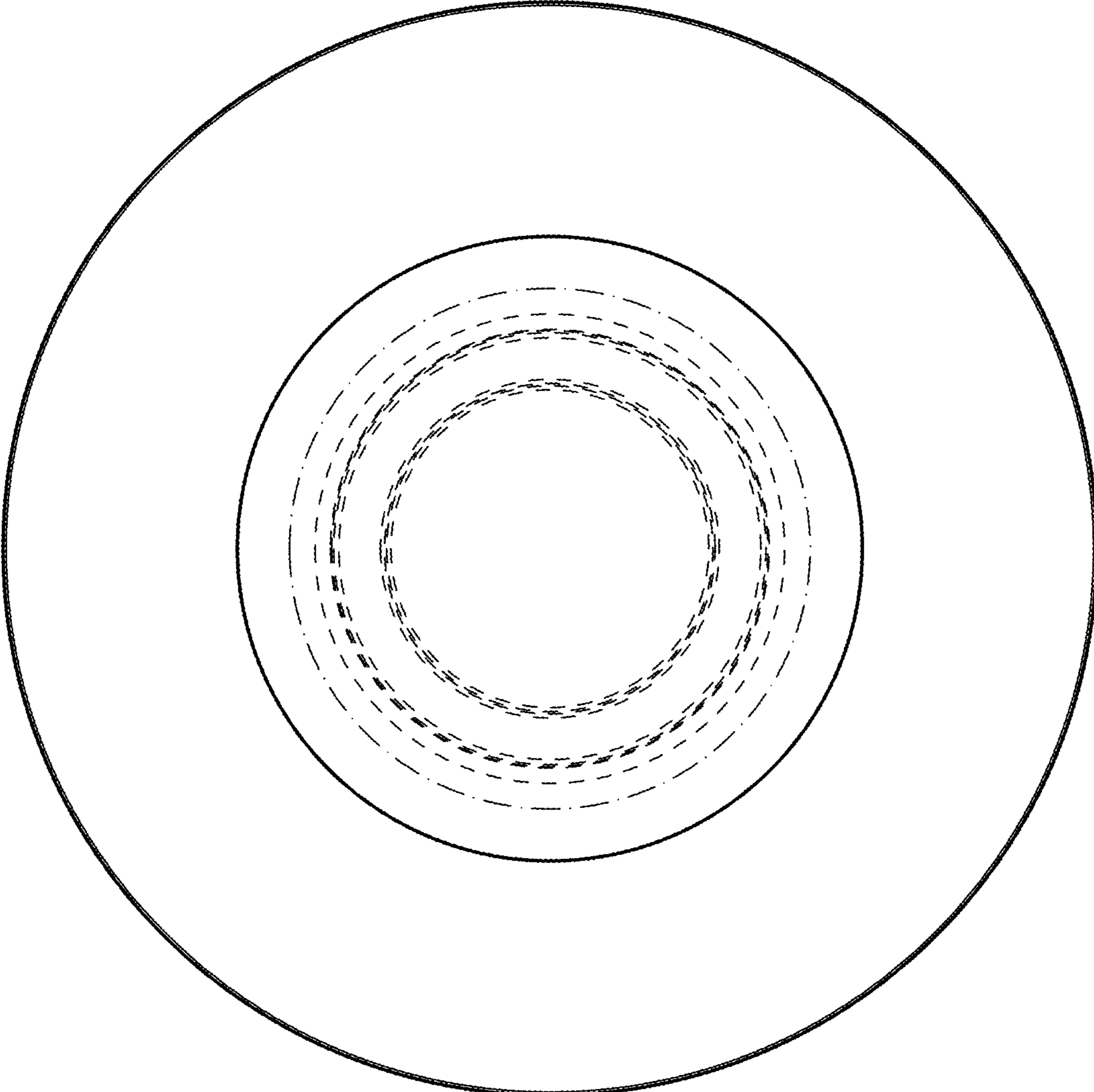


FIG. 6

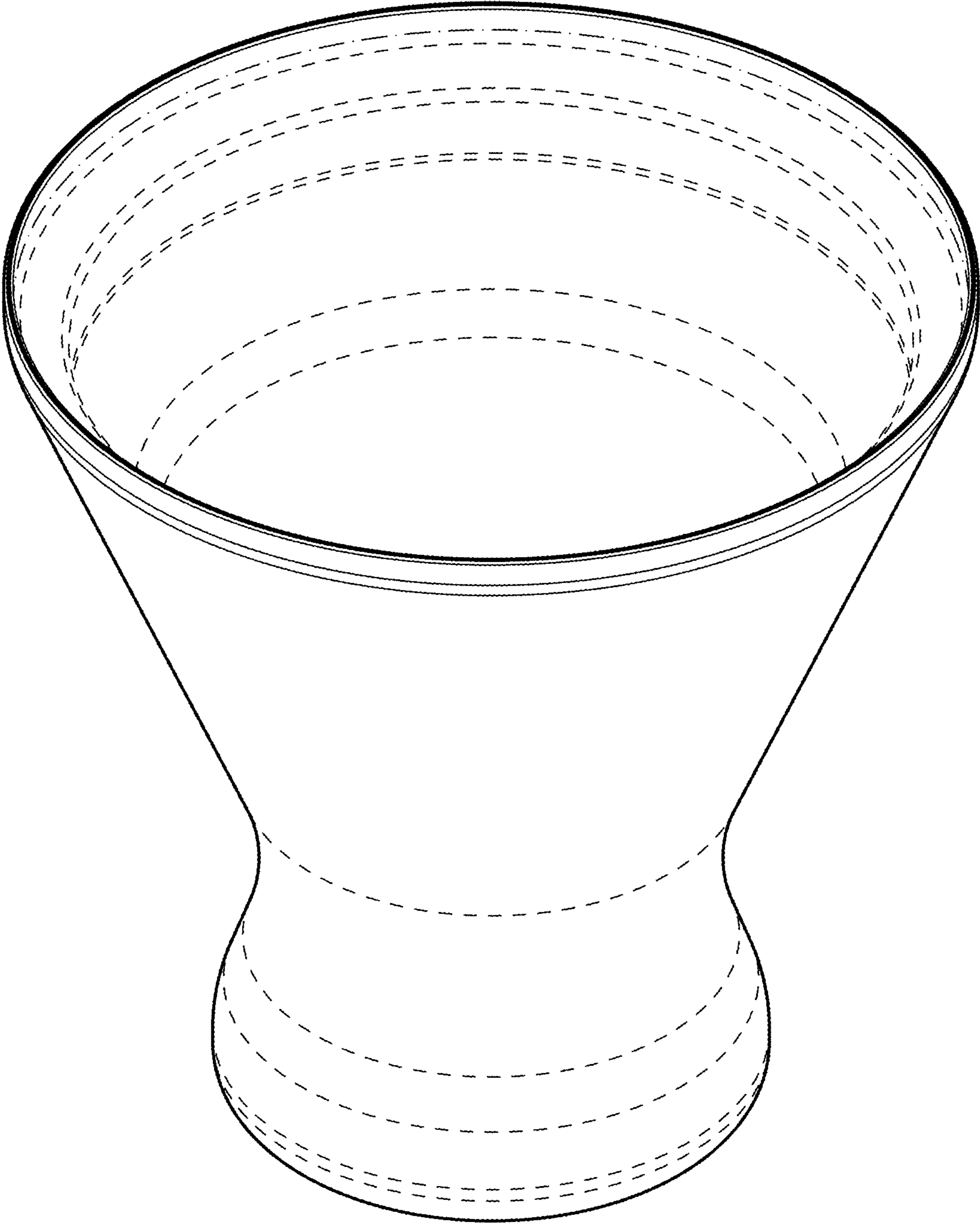


FIG. 7

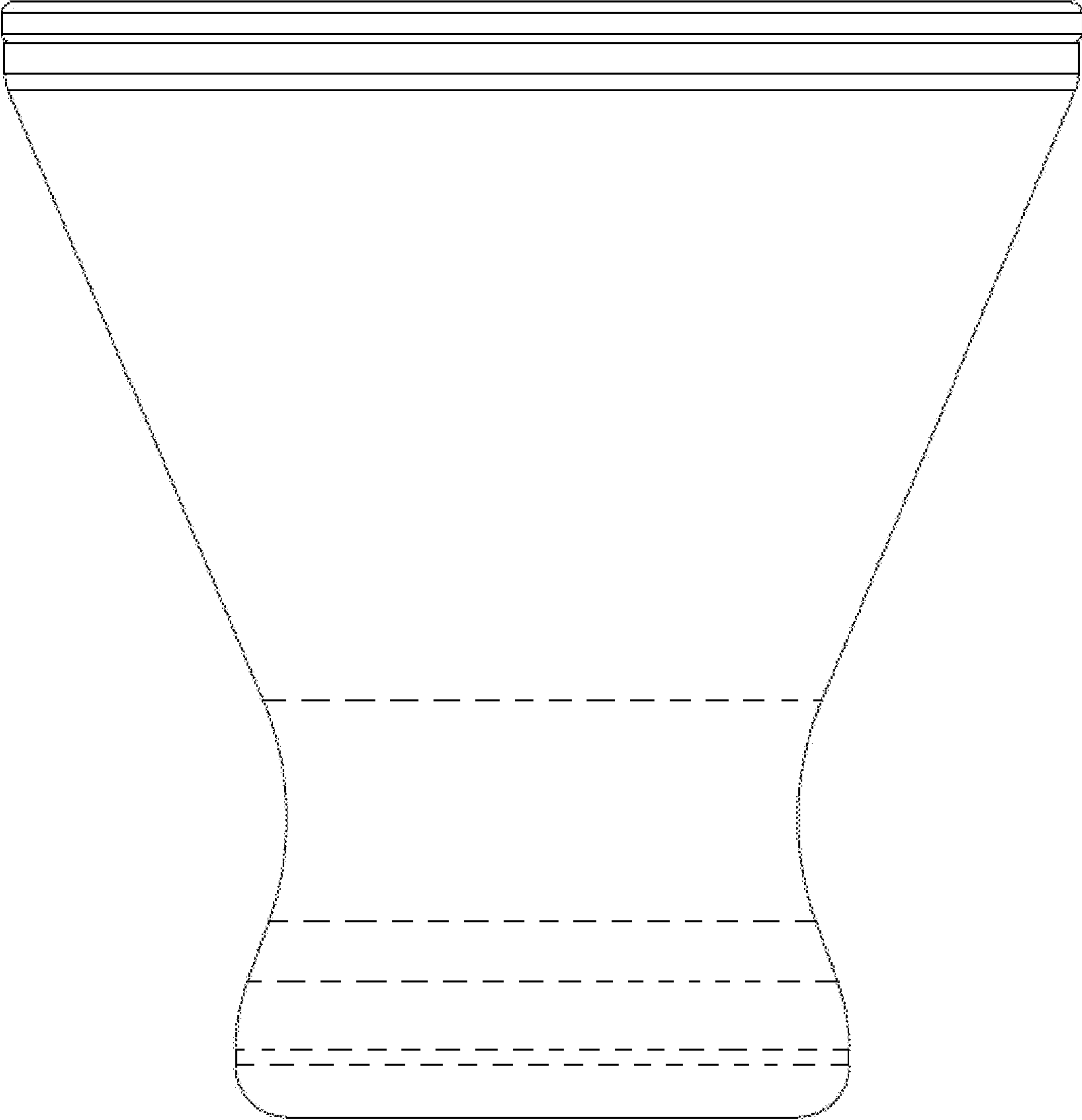


FIG. 8

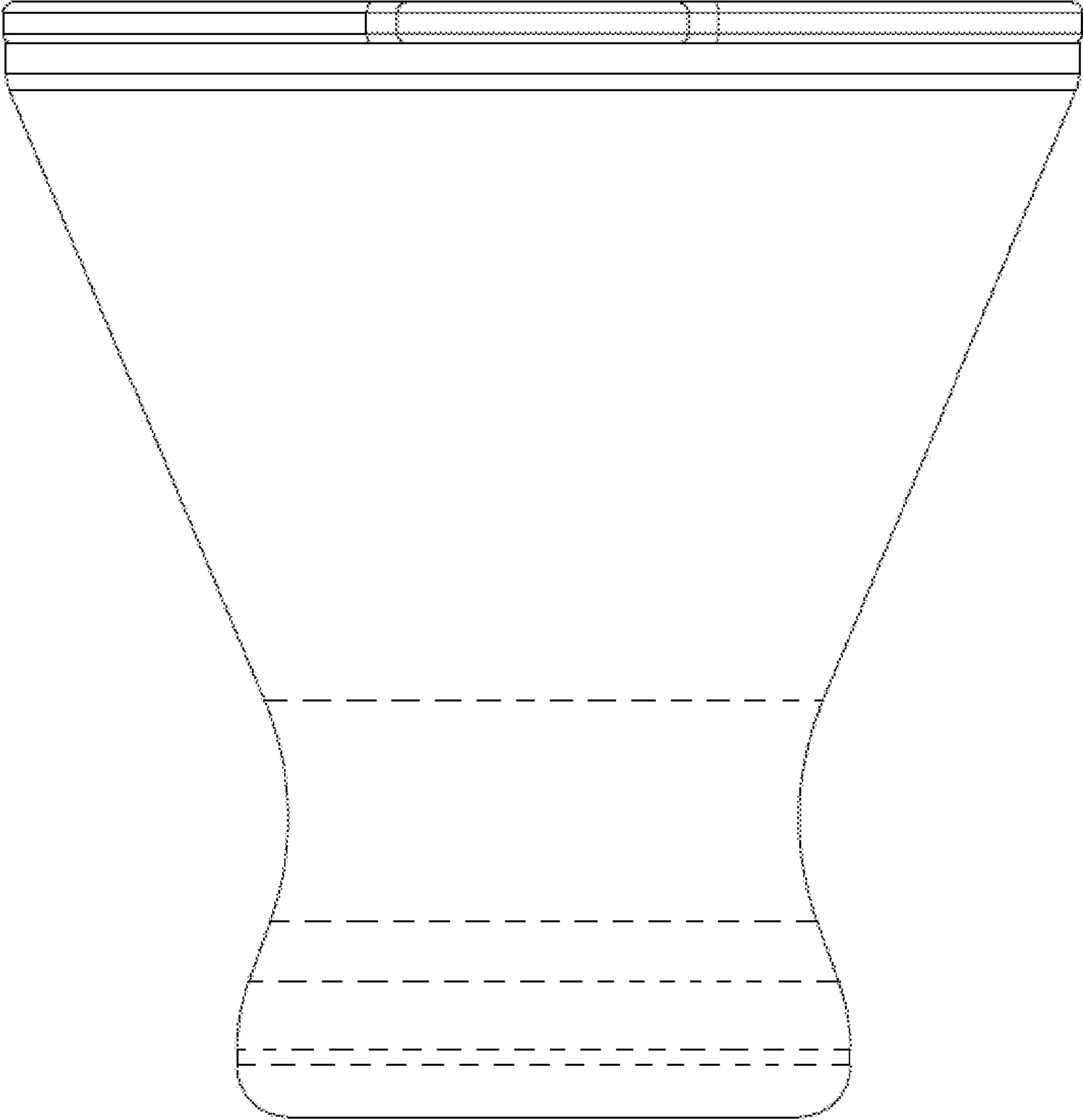


FIG. 9

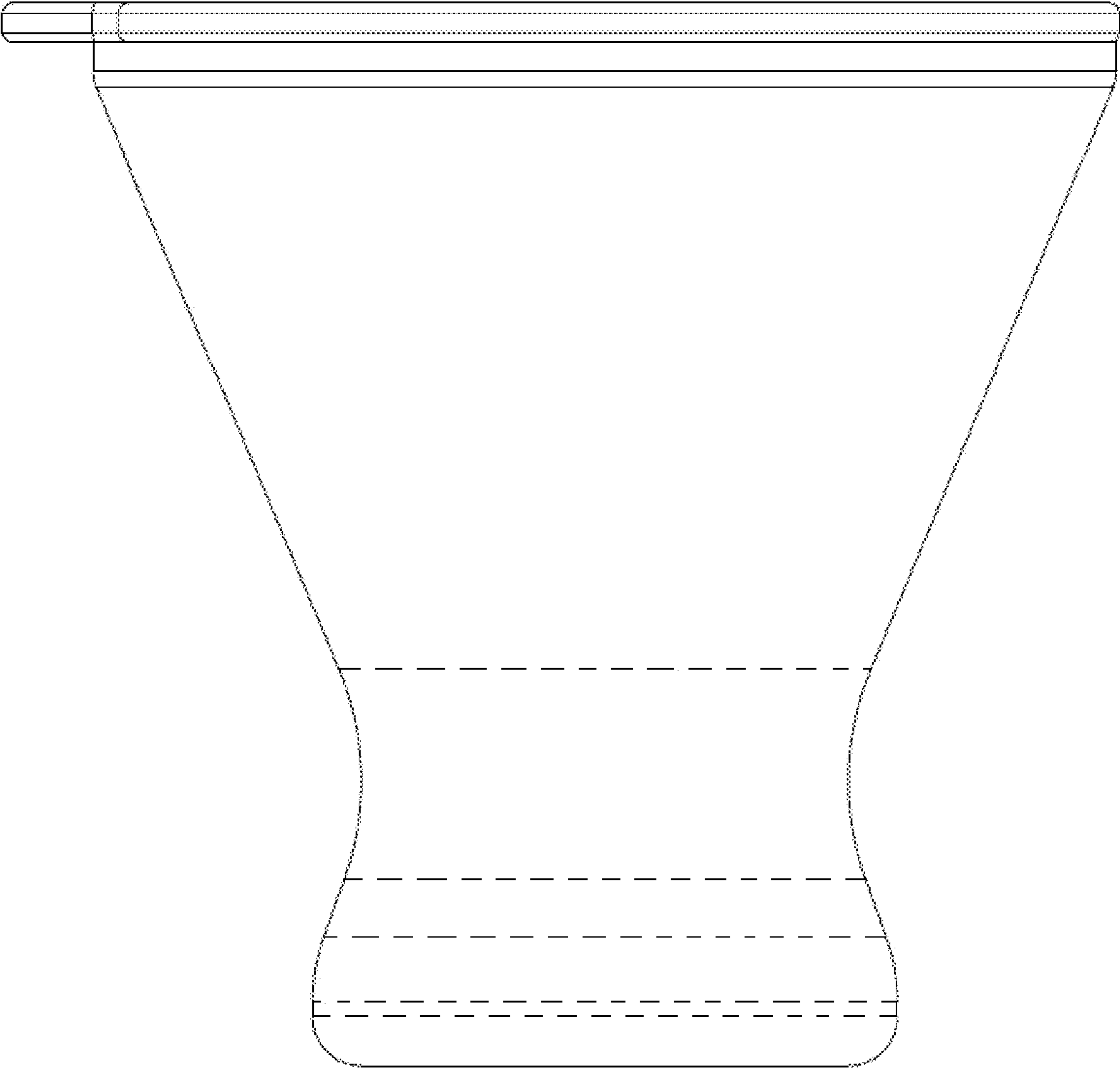


FIG. 10

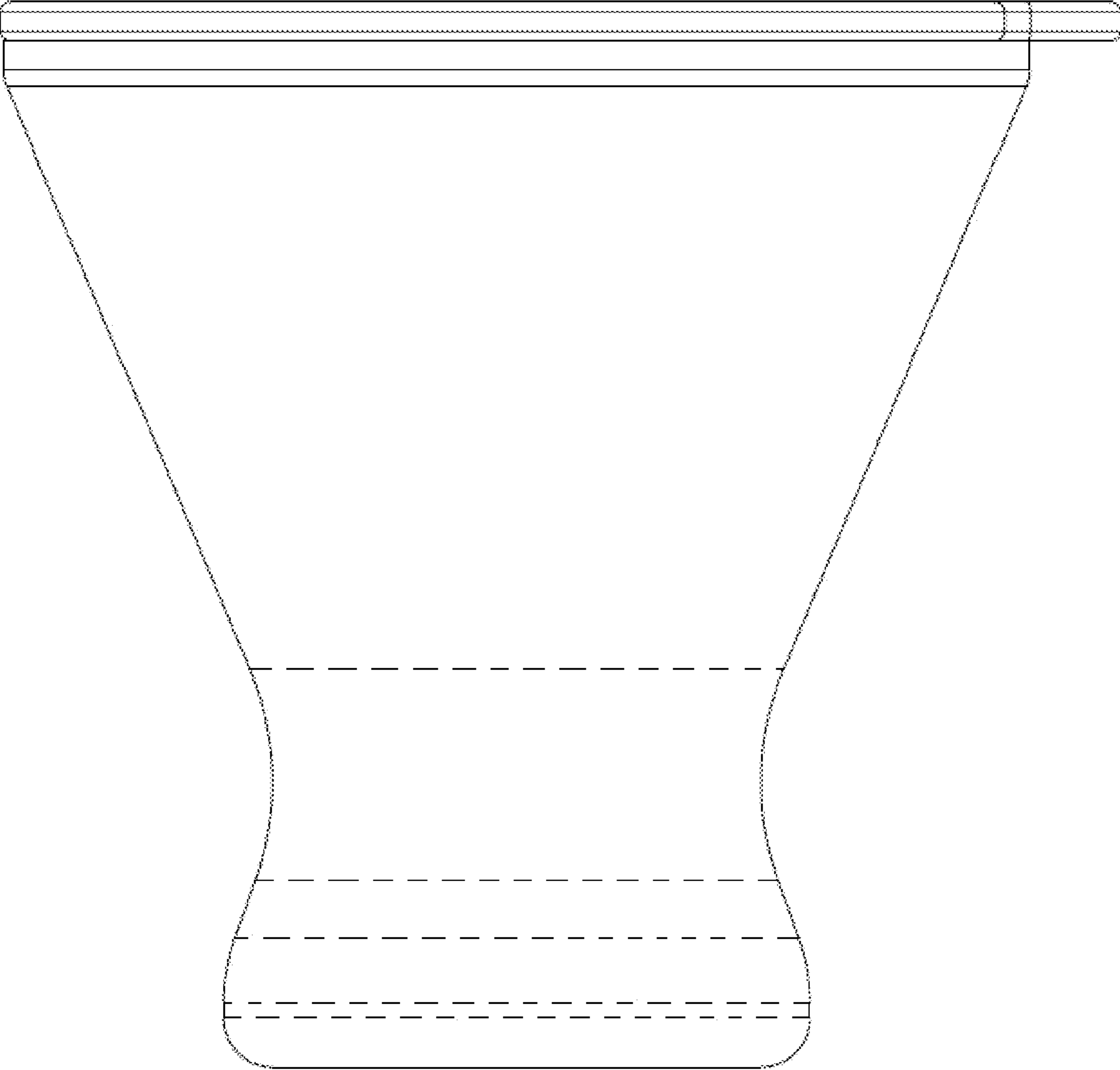


FIG. 11

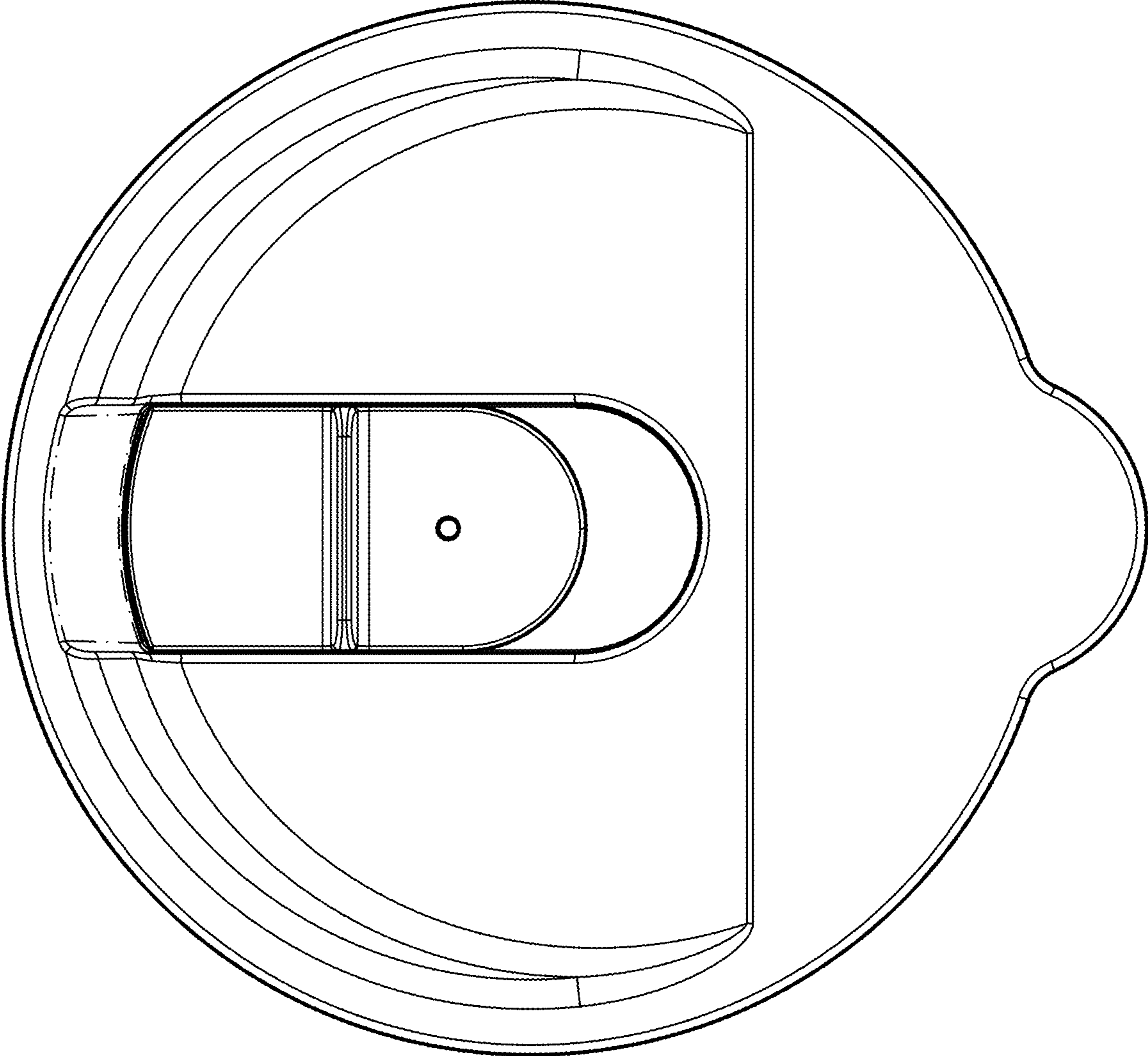


FIG. 12

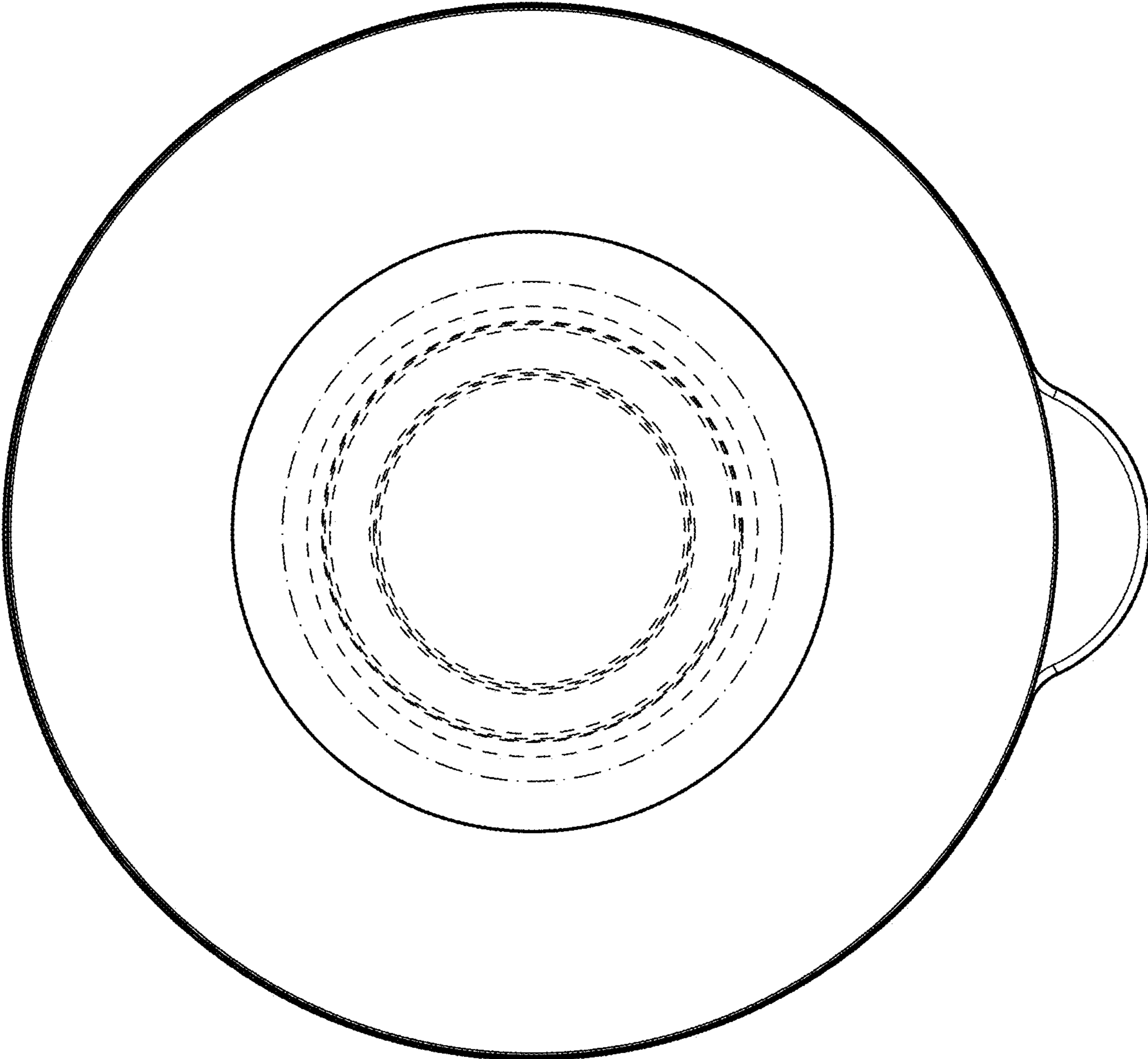


FIG. 13

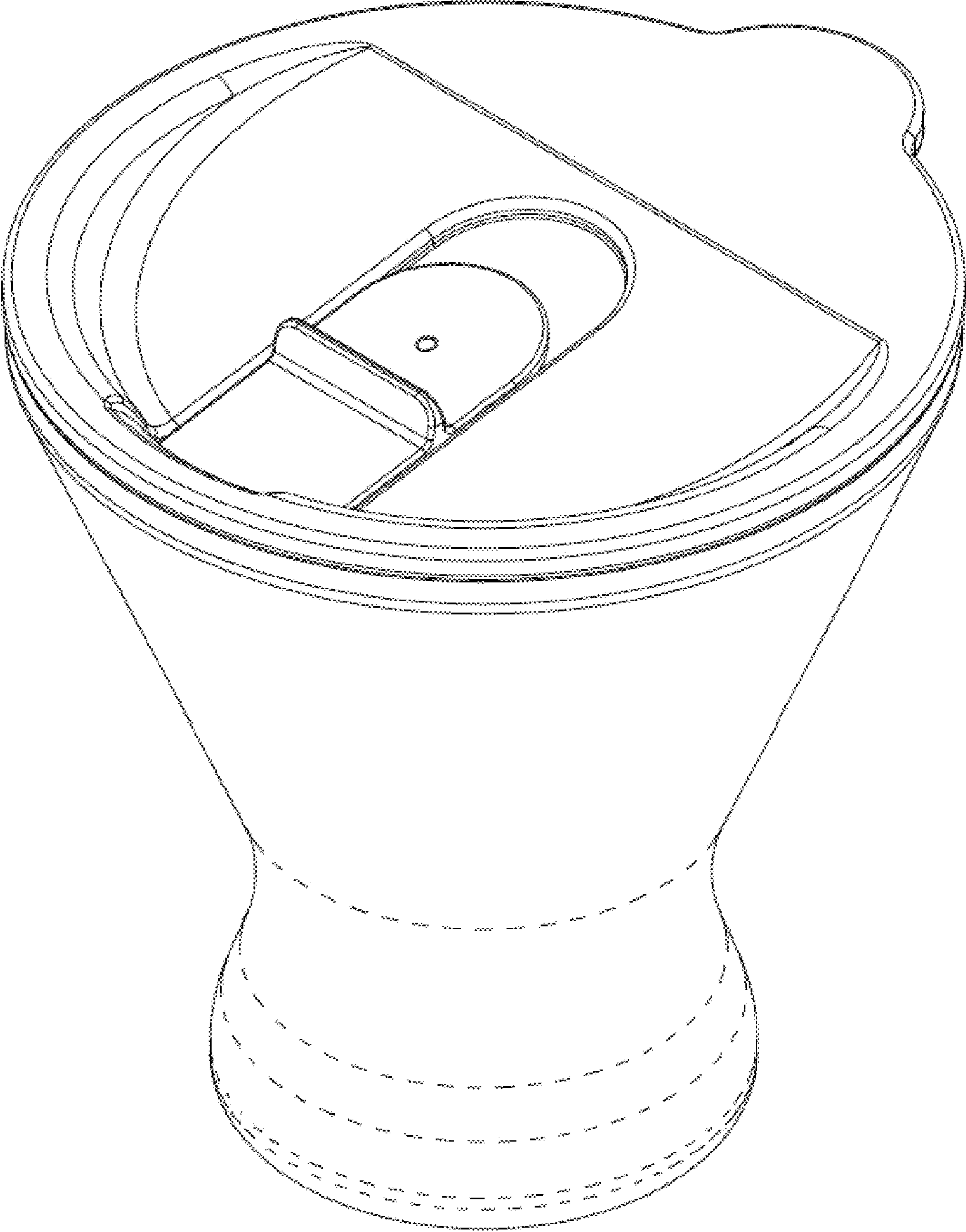


FIG. 14

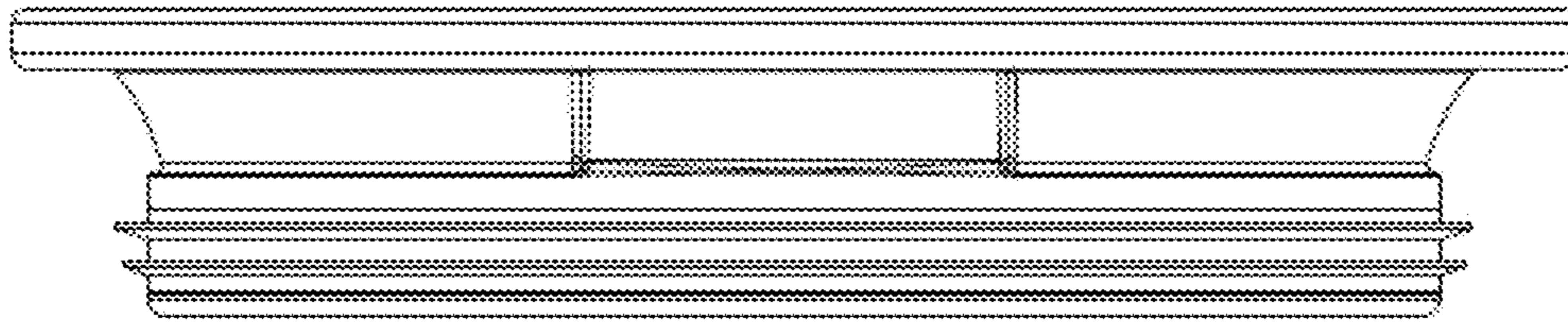


FIG. 15

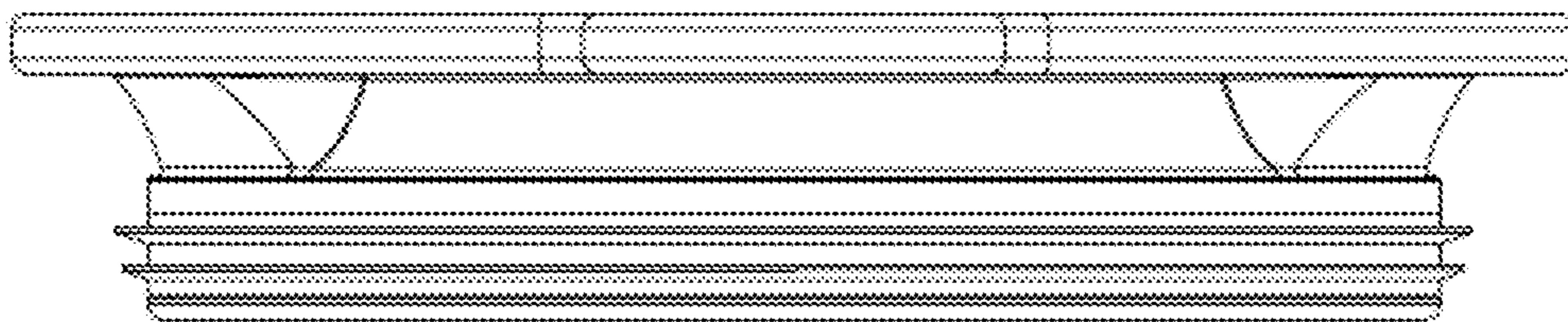


FIG. 16

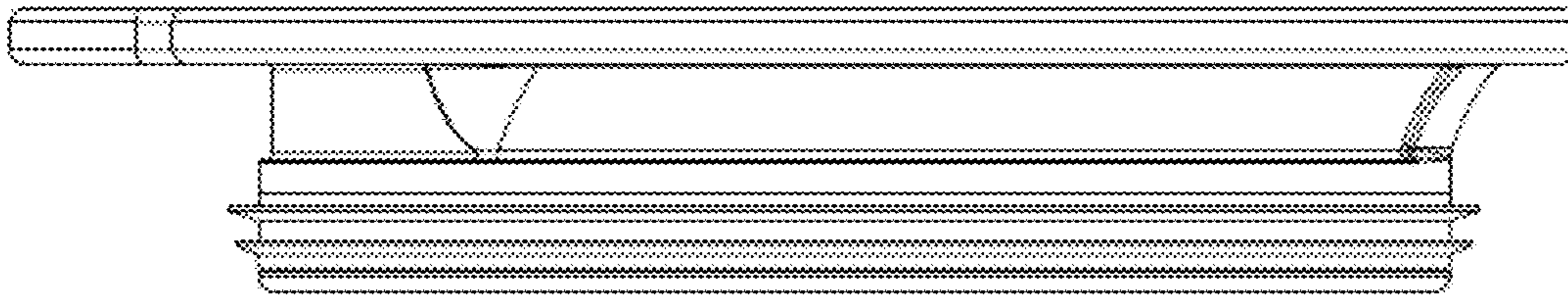


FIG. 17

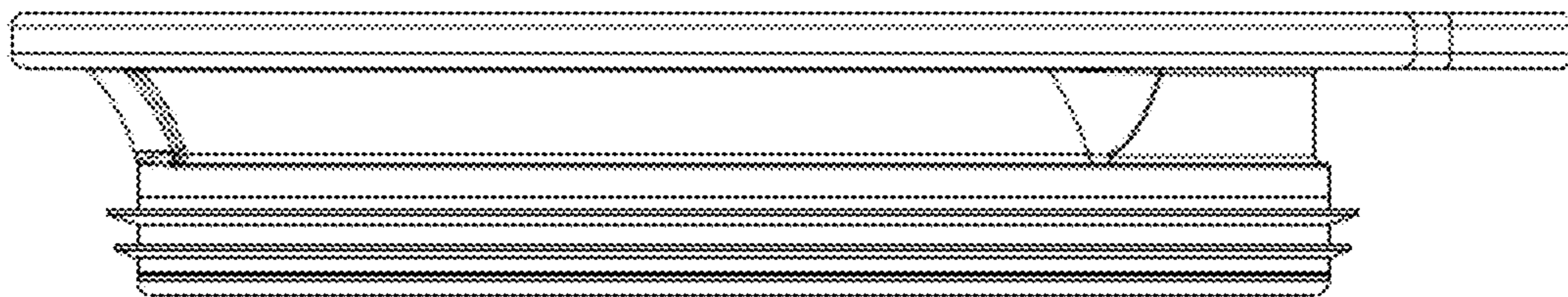


FIG. 18

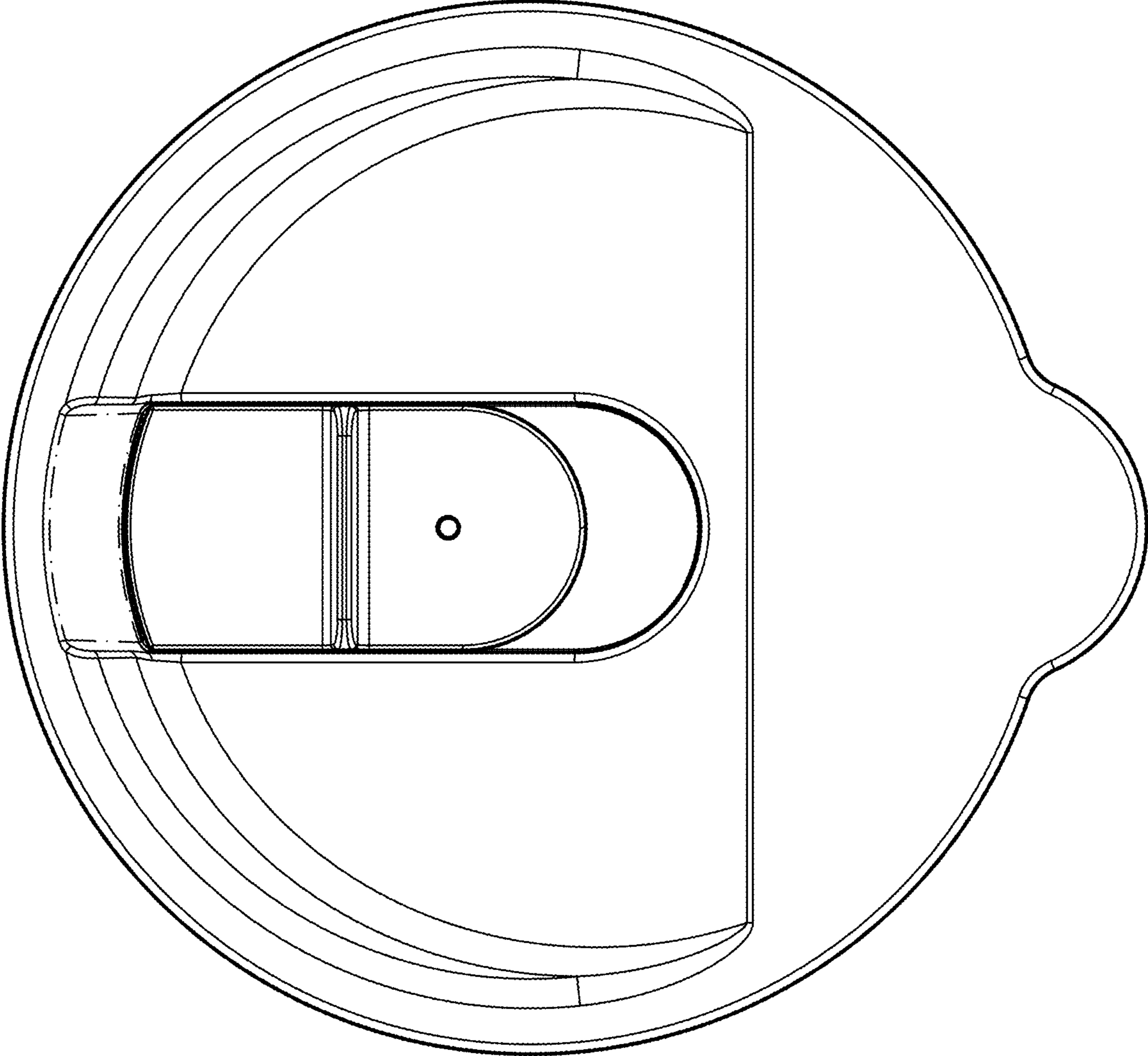


FIG. 19

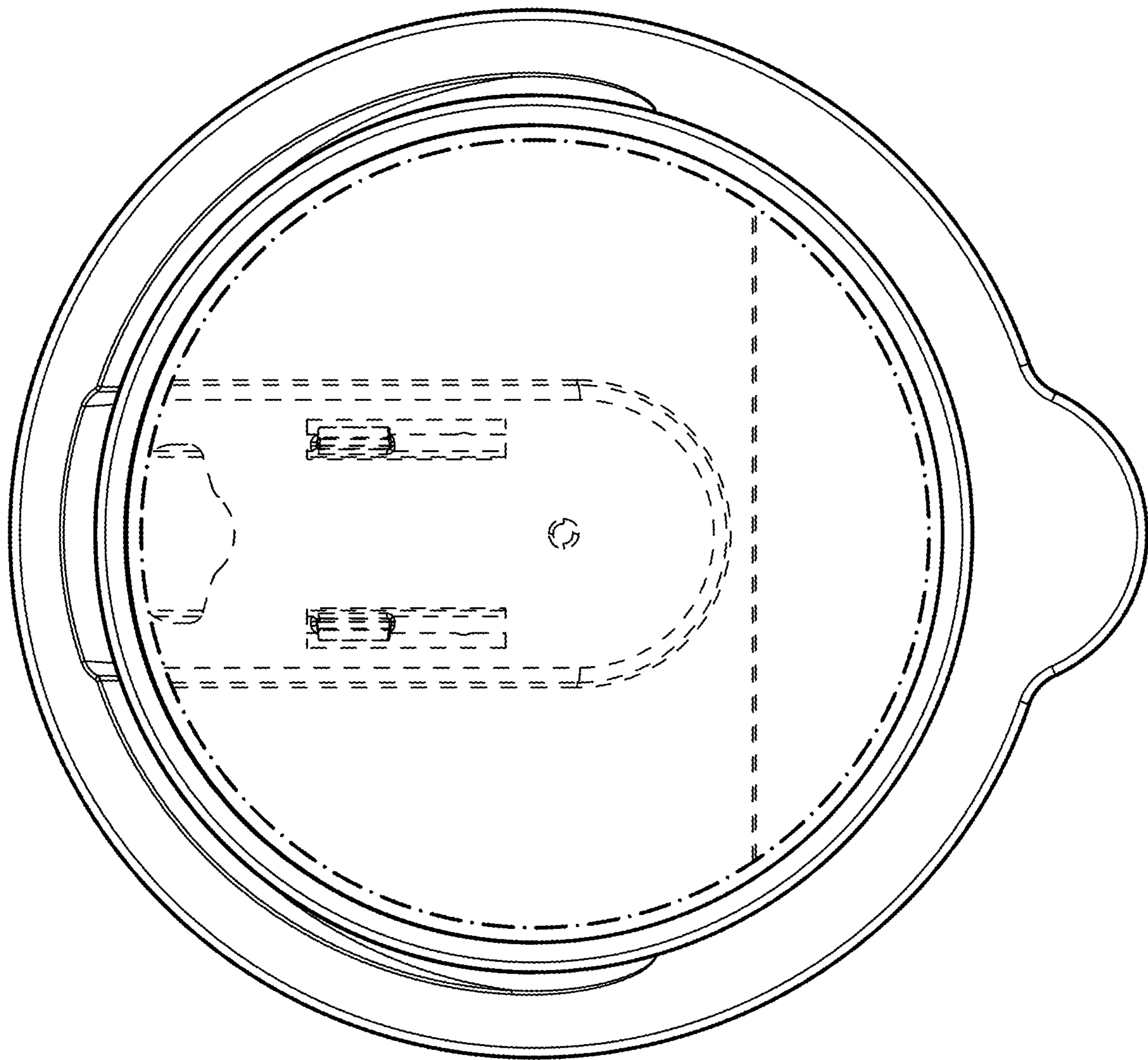


FIG. 20

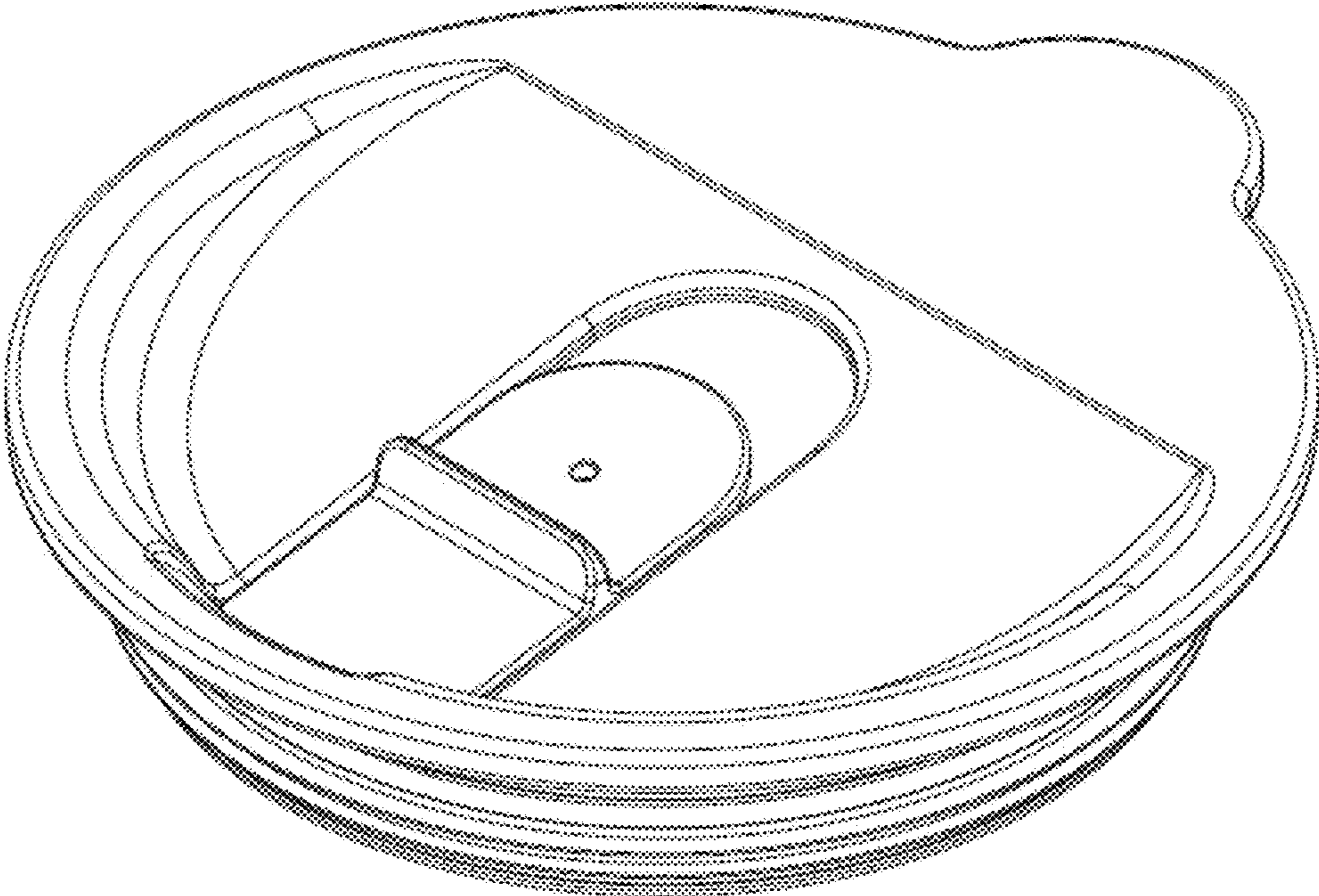


FIG. 21