



US00D981785S

(12) **United States Design Patent** (10) **Patent No.:** **US D981,785 S**
Li (45) **Date of Patent:** **** Mar. 28, 2023**

(54) **COFFEE DOSING FUNNEL**
(71) Applicant: **Shenzhen Mumuzi Network Technology Co., Ltd., Shenzhen (CN)**
(72) Inventor: **Xin Li, Hunan (CN)**
(73) Assignee: **Shenzhen Mumuzi Network Technology Co., Ltd., Shenzhen (CN)**
(**) Term: **15 Years**
(21) Appl. No.: **29/778,926**
(22) Filed: **Apr. 15, 2021**
(51) **LOC (14) Cl.** **07-06**
(52) **U.S. Cl.**
USPC **D7/400**
(58) **Field of Classification Search**
USPC D7/309, 310, 317, 397, 399, 400, 600.1, D7/667, 700, 701
CPC A23F 3/14; A23F 5/26; A23F 5/262; A23F 5/00; A47J 31/407; A47J 31/44; A47J 31/4403; A47J 31/3633; A47J 31/0668; A47J 31/06; A47J 31/446; A47J 31/005; A47J 31/3623; A47J 42/50; A47J 31/00; A47J 31/02; B65D 85/8061; B65D 85/72; B65D 85/8046; B65D 85/8055; B65D 85/8043
See application file for complete search history.

D734,985 S * 7/2015 Furia D9/425
D747,444 S * 1/2016 Gledhill D23/262
D764,866 S * 8/2016 Hertaus D7/400
D772,644 S * 11/2016 Kestenbaum D7/400
D800,497 S * 10/2017 Fedorak D7/400
D807,695 S * 1/2018 Durra D7/399
D812,422 S * 3/2018 Hanneson D7/400
D823,688 S * 7/2018 Diehl D7/400
D825,259 S * 8/2018 Durra D7/399
D875,478 S * 2/2020 Bingham A47G 23/0216 D9/444
D890,569 S * 7/2020 Fedorak D7/400
D893,293 S * 8/2020 Fedorak D7/400
D940,348 S * 1/2022 Tapocik D24/221
D940,895 S * 1/2022 Tapocik D24/221

(Continued)

OTHER PUBLICATIONS

Matow Hands-Free Dosing Funnel, Amazon.com, First available date: Feb. 15, 2021. Retrieved from the internet Oct. 20, 2022<URL: <https://specoffee.com/products/useamie-coffee-dosing-funnel-54mm-silver> (Year: 2021).*

Primary Examiner — Joseph Kukella
Assistant Examiner — Darryl J Dardenne

(57) **CLAIM**

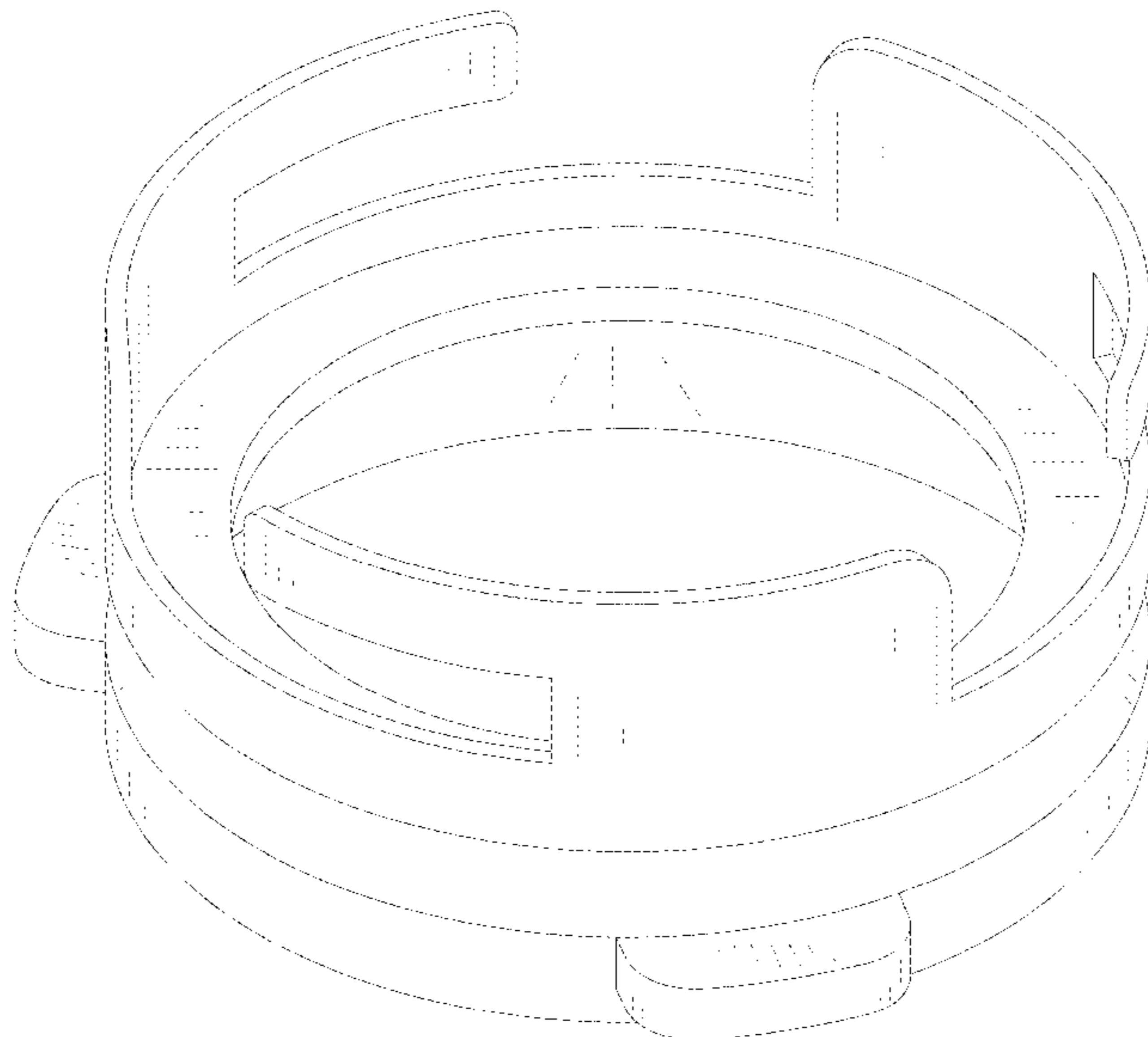
The ornamental design for a coffee dosing funnel, as shown and described.

DESCRIPTION

FIG. 1 is a perspective view of a coffee dosing funnel showing my new design;
FIG. 2 is an alternative perspective view thereof;
FIG. 3 is a front view thereof;
FIG. 4 is a back view thereof;
FIG. 5 is a left side view thereof;
FIG. 6 is a right side view thereof;
FIG. 7 is a top view thereof; and,
FIG. 8 is a bottom view thereof.

1 Claim, 8 Drawing Sheets

(56) **References Cited**
U.S. PATENT DOCUMENTS
D332,891 S * 2/1993 Cumberland D7/619.1
D393,568 S * 4/1998 Storsberg D7/400
D480,639 S * 10/2003 Ciavarella D9/434
D598,706 S * 8/2009 Neace D7/400
D670,539 S * 11/2012 Starr D7/400
D670,540 S * 11/2012 Starr D7/400
D695,066 S * 12/2013 Nakajima D7/400
D707,490 S * 6/2014 Hertaus D7/400



(56)

References Cited

U.S. PATENT DOCUMENTS

2015/0056331 A1* 2/2015 Rivera B65D 85/8052
99/287
2016/0016727 A1* 1/2016 Katz B65D 85/8061
426/115

* cited by examiner

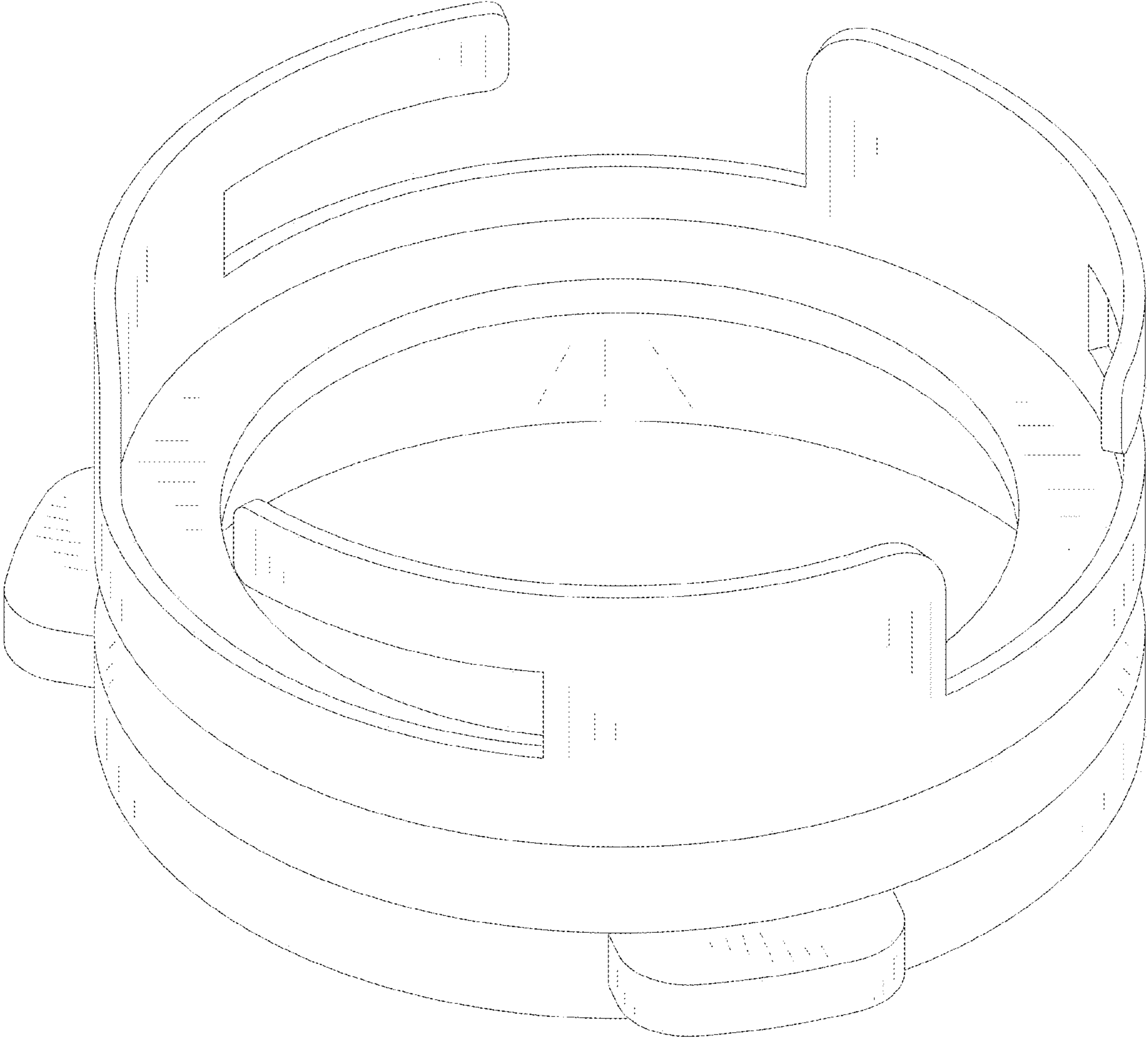


FIG 1

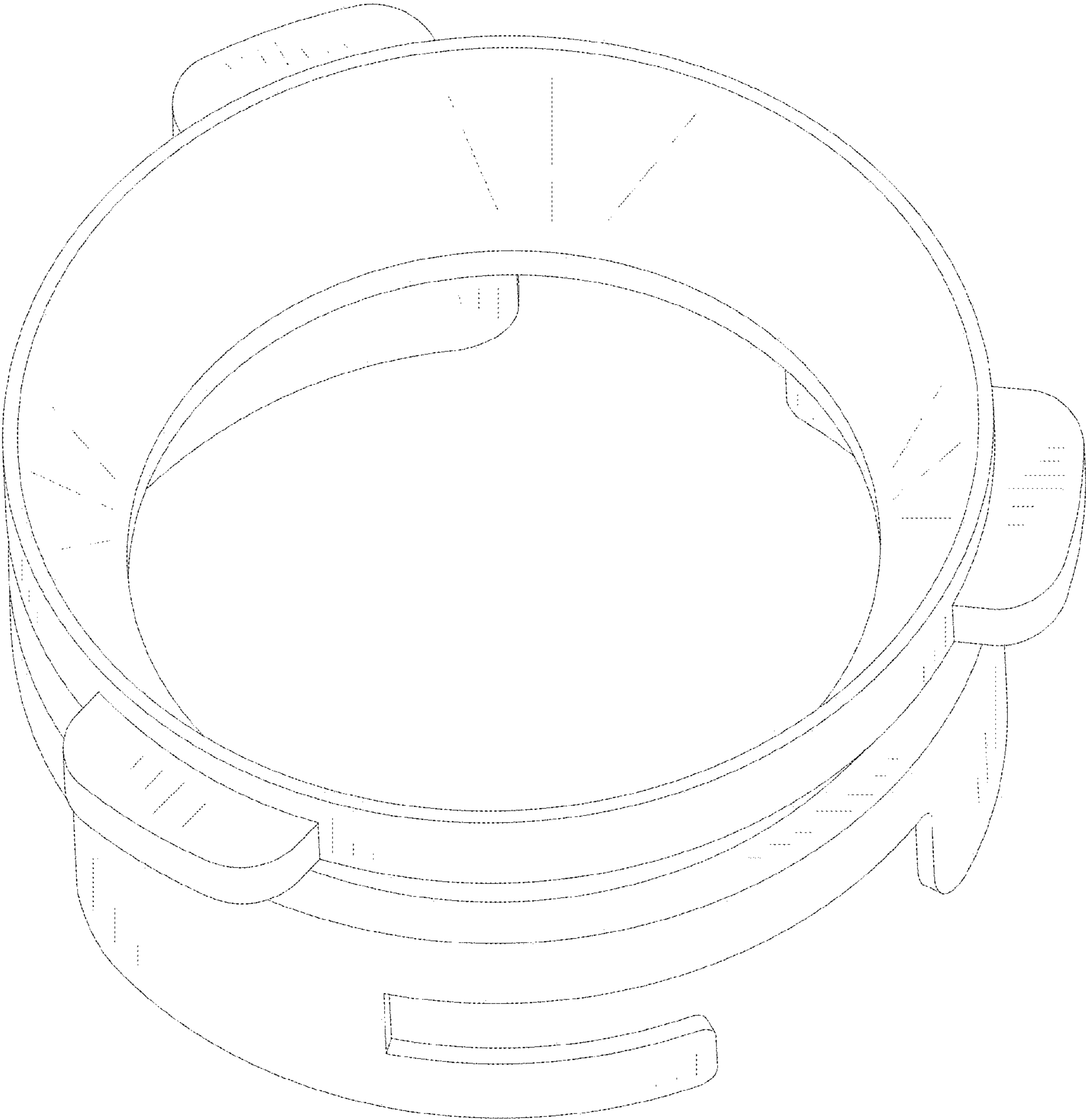


FIG.2

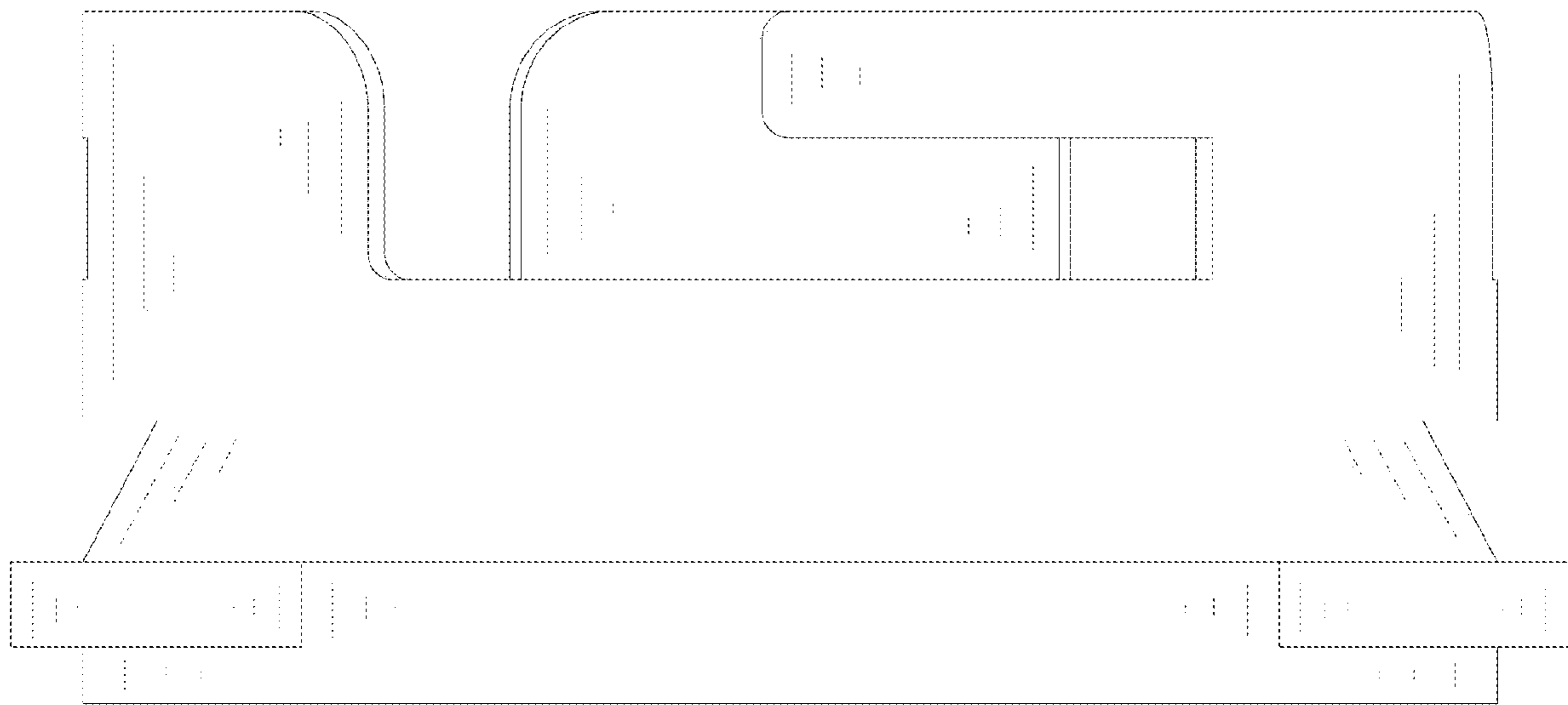


FIG. 3

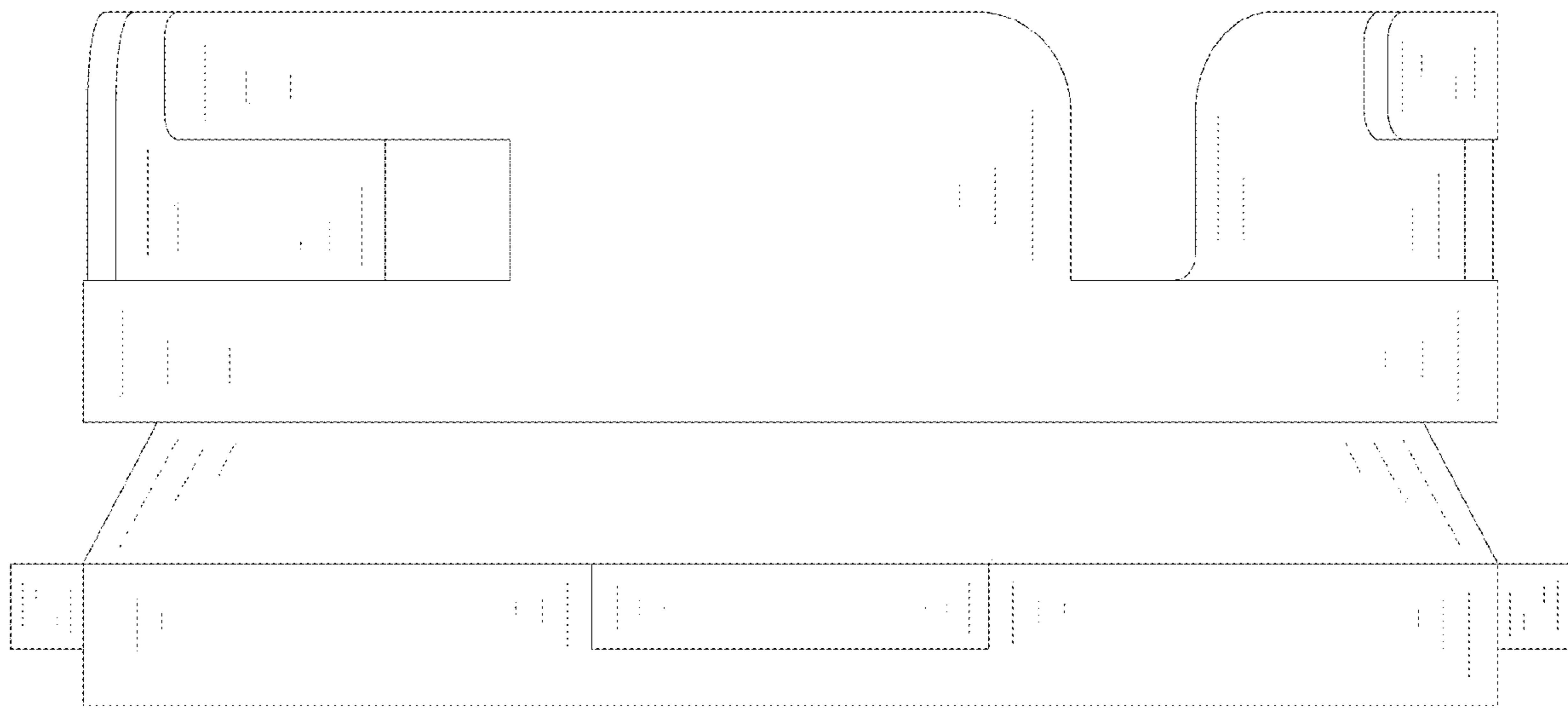


FIG. 4

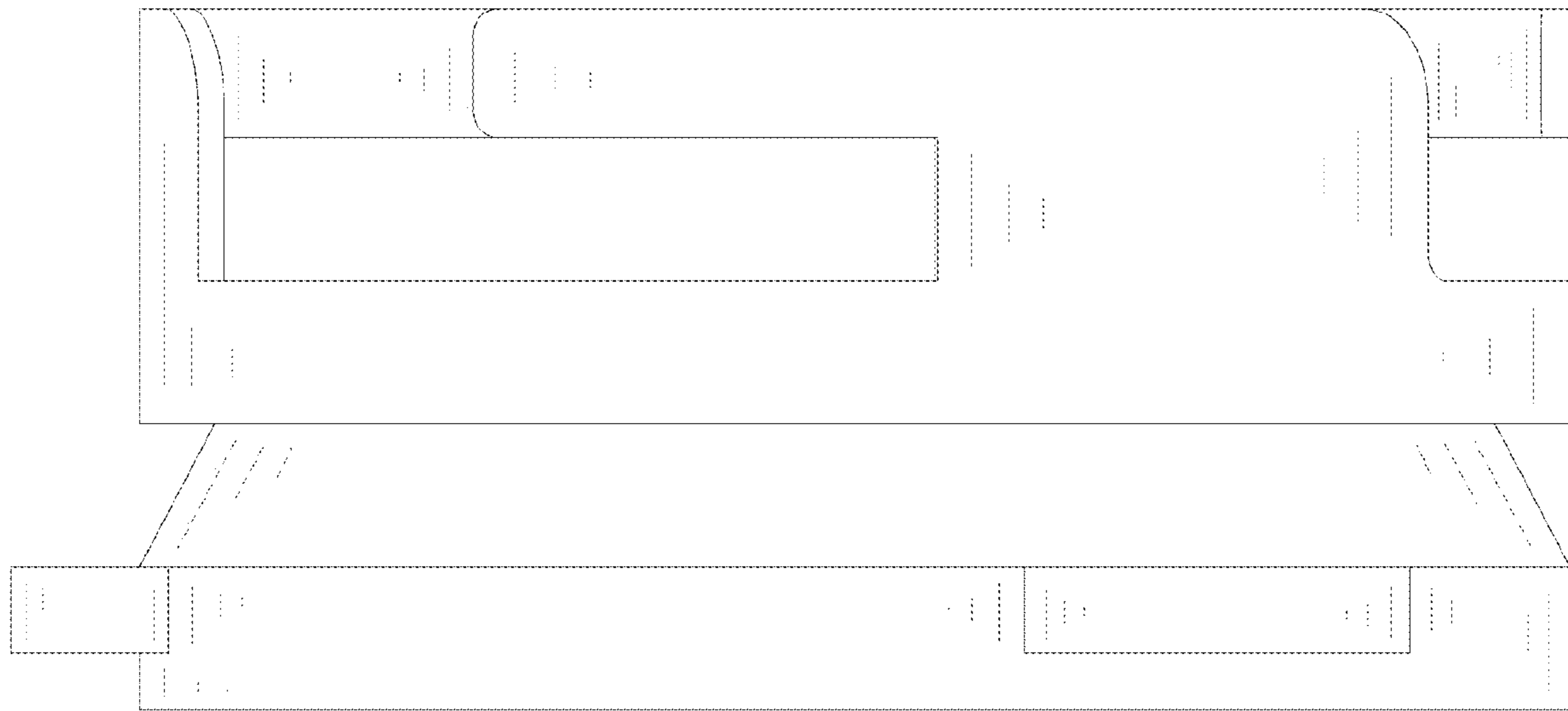


FIG. 5

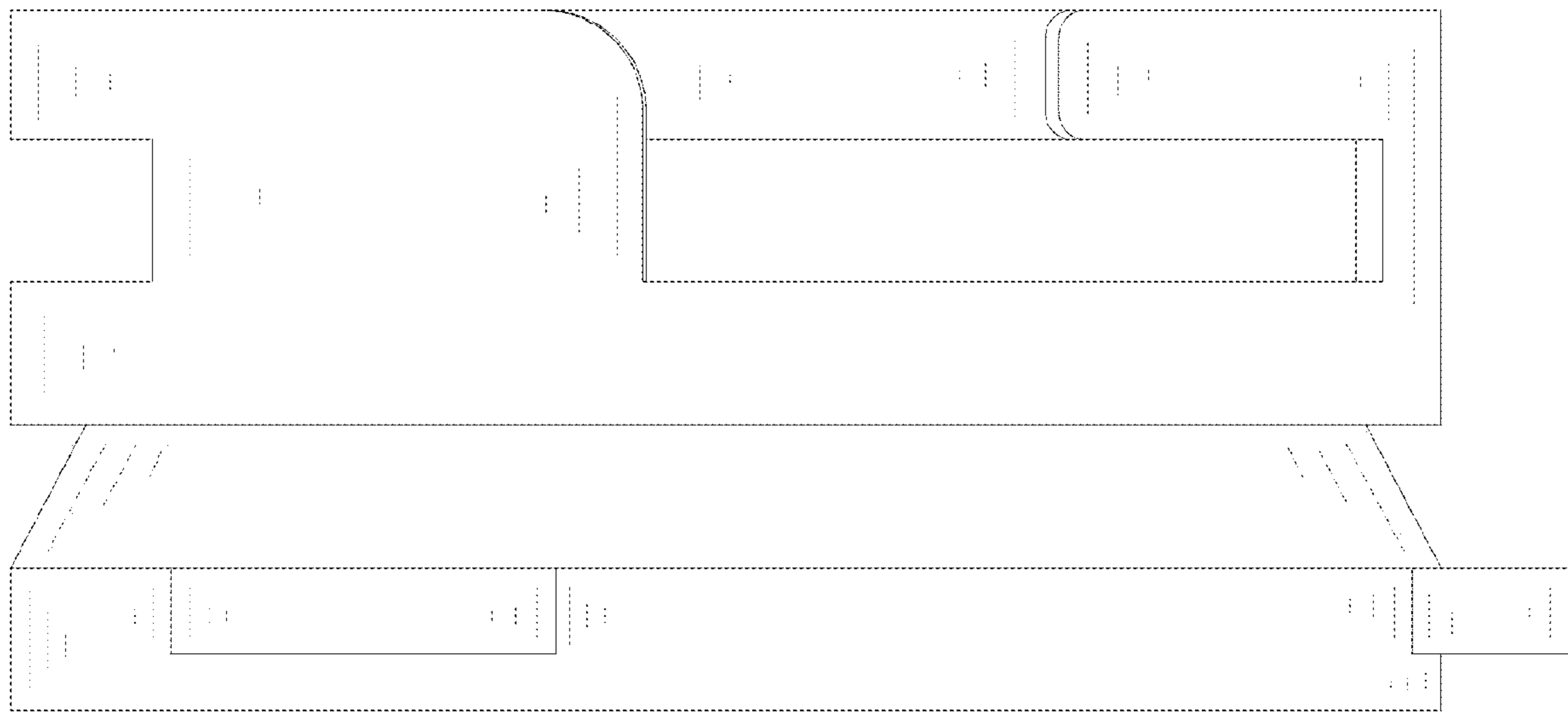


FIG. 6

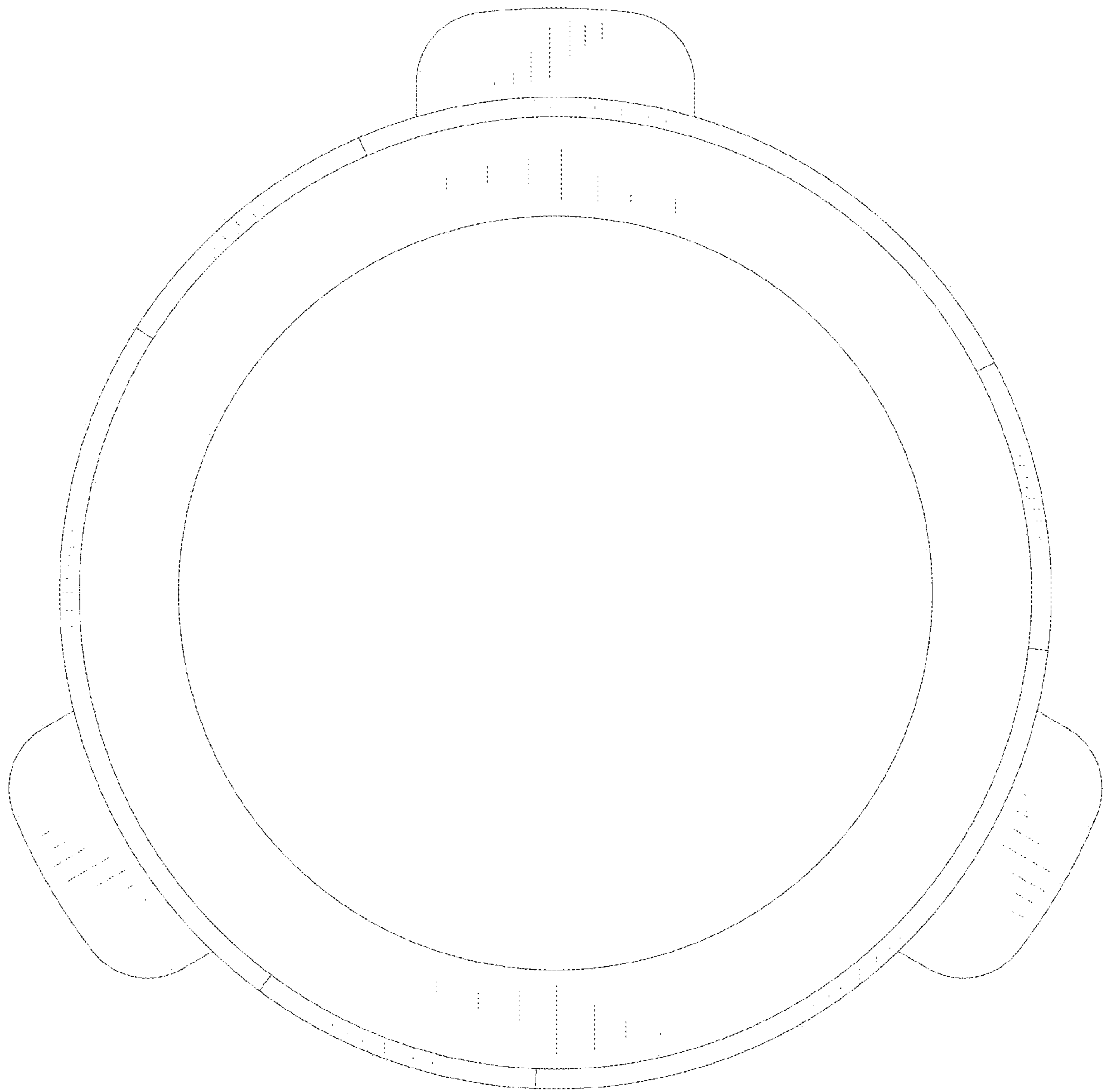


FIG. 7

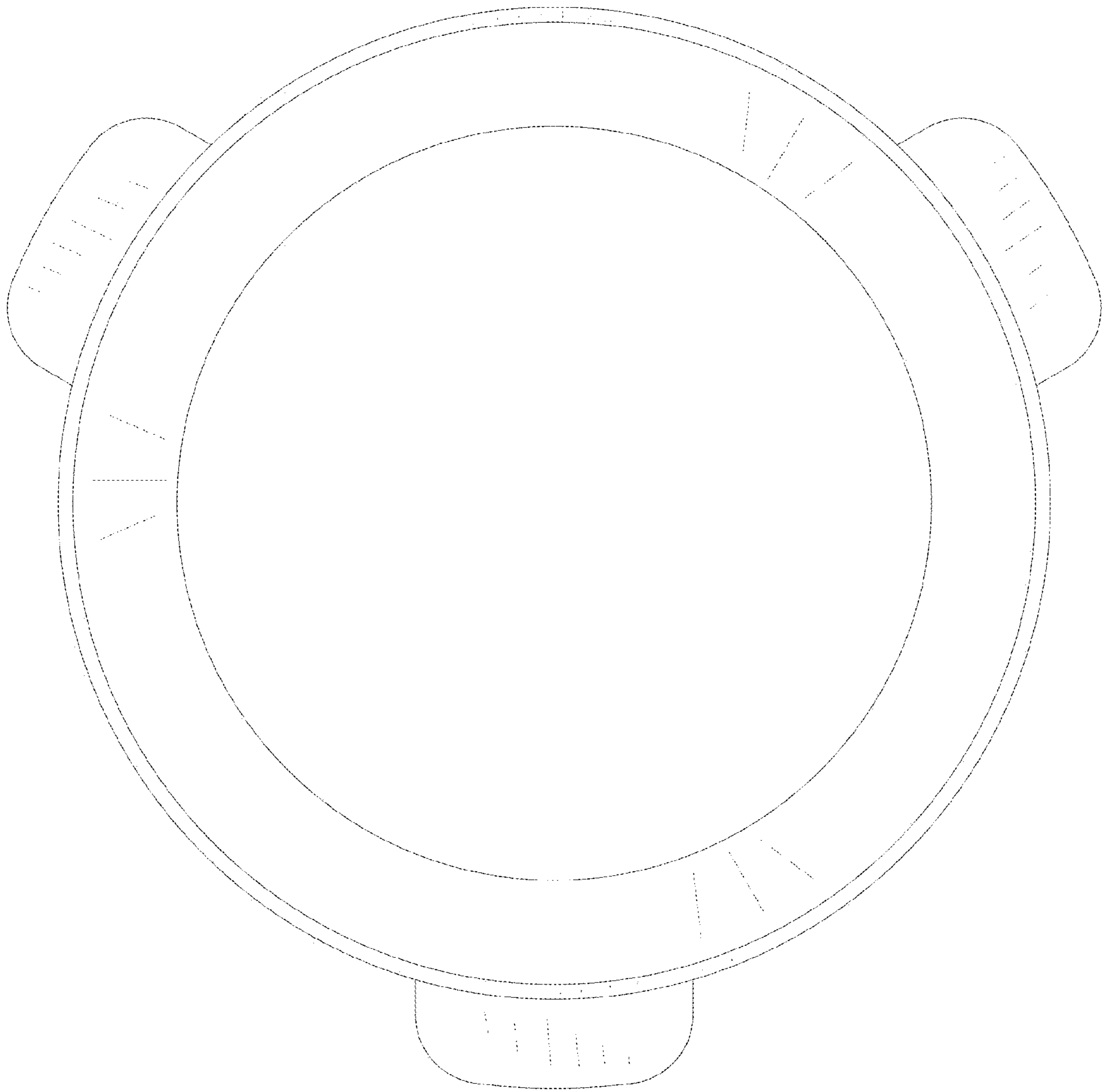


FIG. 8