



US00D981784S

(12) **United States Design Patent**
Fang et al.

(10) **Patent No.:** **US D981,784 S**
(45) **Date of Patent:** **** Mar. 28, 2023**

- (54) **VEGETABLE CUTTER**
- (71) Applicant: **Fujian Meizhikou Technology Co., Ltd.**, Fujian (CN)
- (72) Inventors: **Jing Fang**, Fujian (CN); **Enhui Zhang**, Fujian (CN)
- (73) Assignee: **Fujian Meizhikou Technology Co., Ltd.**, Fujian (CN)

D300,400 S * 3/1989 Kelly D7/381
 4,884,755 A * 12/1989 Hedrington A47J 43/255
 241/293
 5,368,241 A * 11/1994 Baldwin, Jr. A47J 43/255
 241/91
 D553,427 S * 10/2007 Ball D7/384
 D689,734 S * 9/2013 Bock D7/378
 D933,417 S 10/2021 Bourgeois
 D950,305 S 5/2022 Bourgeois

- (**) Term: **15 Years**
- (21) Appl. No.: **29/858,264**
- (22) Filed: **Oct. 28, 2022**
- (51) **LOC (14) Cl.** **31-00**
- (52) **U.S. Cl.**
USPC **D7/381**
- (58) **Field of Classification Search**

USPC D7/354, 372, 376-386, 396.1, 412-413,
 D7/526, 538, 542, 562, 565, 566, 584,
 D7/588, 602, 629, 665-666, 669, 679,
 D7/693-694; D8/34
 CPC A21C 1/02; A21C 1/04; A23N 1/00; A23N
 1/02; A47J 43/04; A47J 43/25; A47J
 43/27; A47J 43/042; A47J 43/044; A47J
 43/046; A47J 43/06; A47J 43/075; A47J
 43/0705; A47J 43/0711; A47J 43/0722;
 A47J 43/0727; A47J 43/1093; A47J
 43/255; B01F 3/00; B01F 3/0807; B01F
 3/0853; B01F 13/0059; B01F 13/0064;
 B02C 1/08; B02C 2/04; B02C 4/42;
 B02C 4/142; B02C 4/143; B02C 4/423;
 B02C 13/1835; B28C 5/10; B28C 5/12;
 B28C 5/14; B28C 5/16

See application file for complete search history.

(56) **References Cited**

U.S. PATENT DOCUMENTS

D236,425 S * 8/1975 McCue D7/383
 4,386,740 A * 6/1983 Van Deursen A47J 43/255
 241/285.2

OTHER PUBLICATIONS

Potato Slicer Upgraded Hand Crank Vegetable Cutter Rotary Cheese Graters. Date First Available on Amazon.com Apr. 29, 2022. <https://www.amazon.com/dp/B09Z6FKYMC/ref> (Year: 2022).*

* cited by examiner

Primary Examiner — Ricky Pham

(74) *Attorney, Agent, or Firm* — ScienBiziP, P.C.

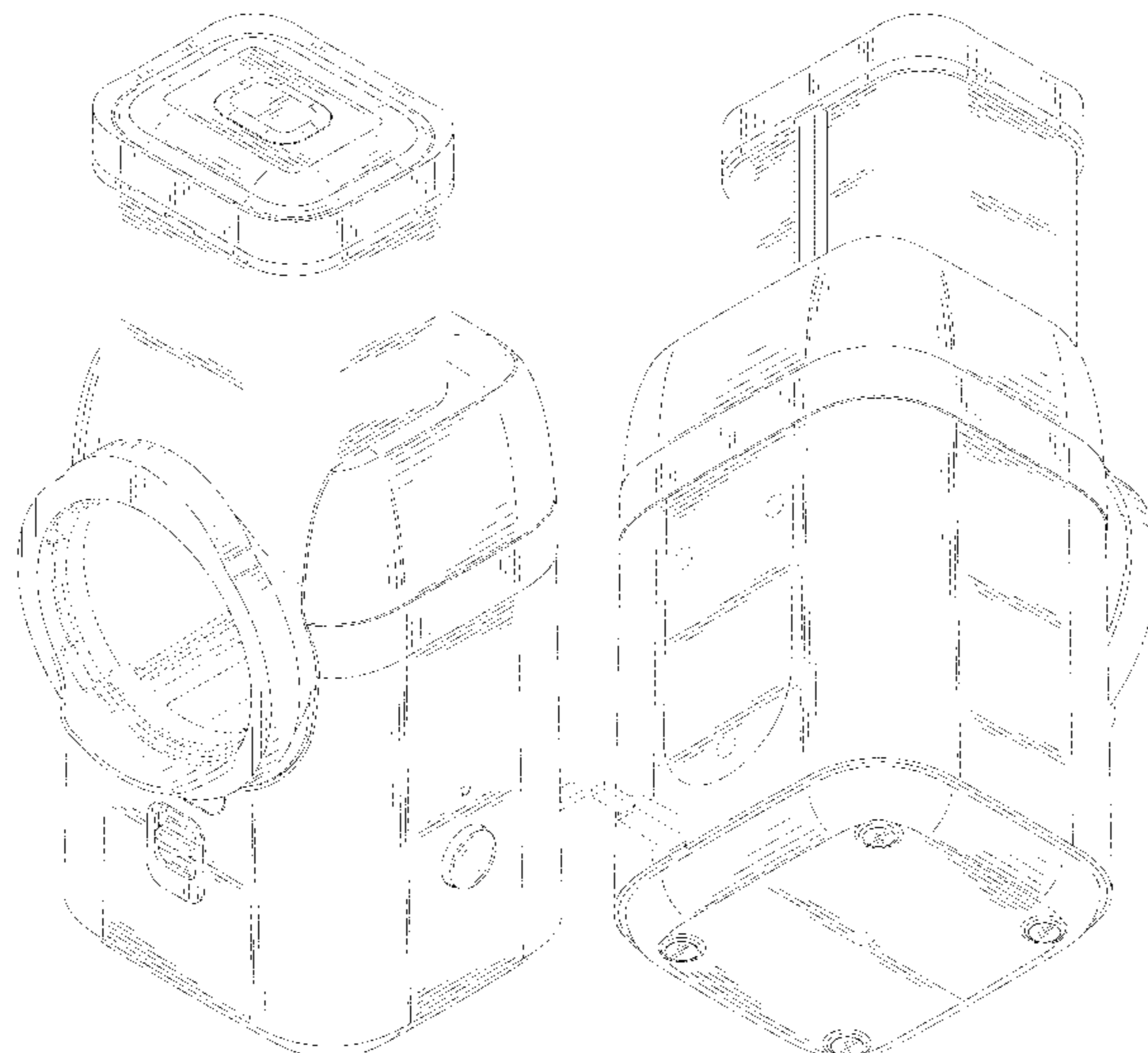
(57) **CLAIM**

The ornamental design for a vegetable cutter, as shown and described.

DESCRIPTION

FIG. 1 is a front, right and top perspective view of a vegetable cutter, showing our design.
 FIG. 2 is a rear, left and bottom perspective view thereof.
 FIG. 3 is a front elevation view thereof.
 FIG. 4 is a rear elevation view thereof.
 FIG. 5 is a left side elevation view thereof.
 FIG. 6 is a right side elevation view thereof.
 FIG. 7 is a top plan view thereof; and,
 FIG. 8 is a bottom plan view thereof.
 The broken lines depict portions of the vegetable cutter that form no part of the claimed design.

1 Claim, 8 Drawing Sheets



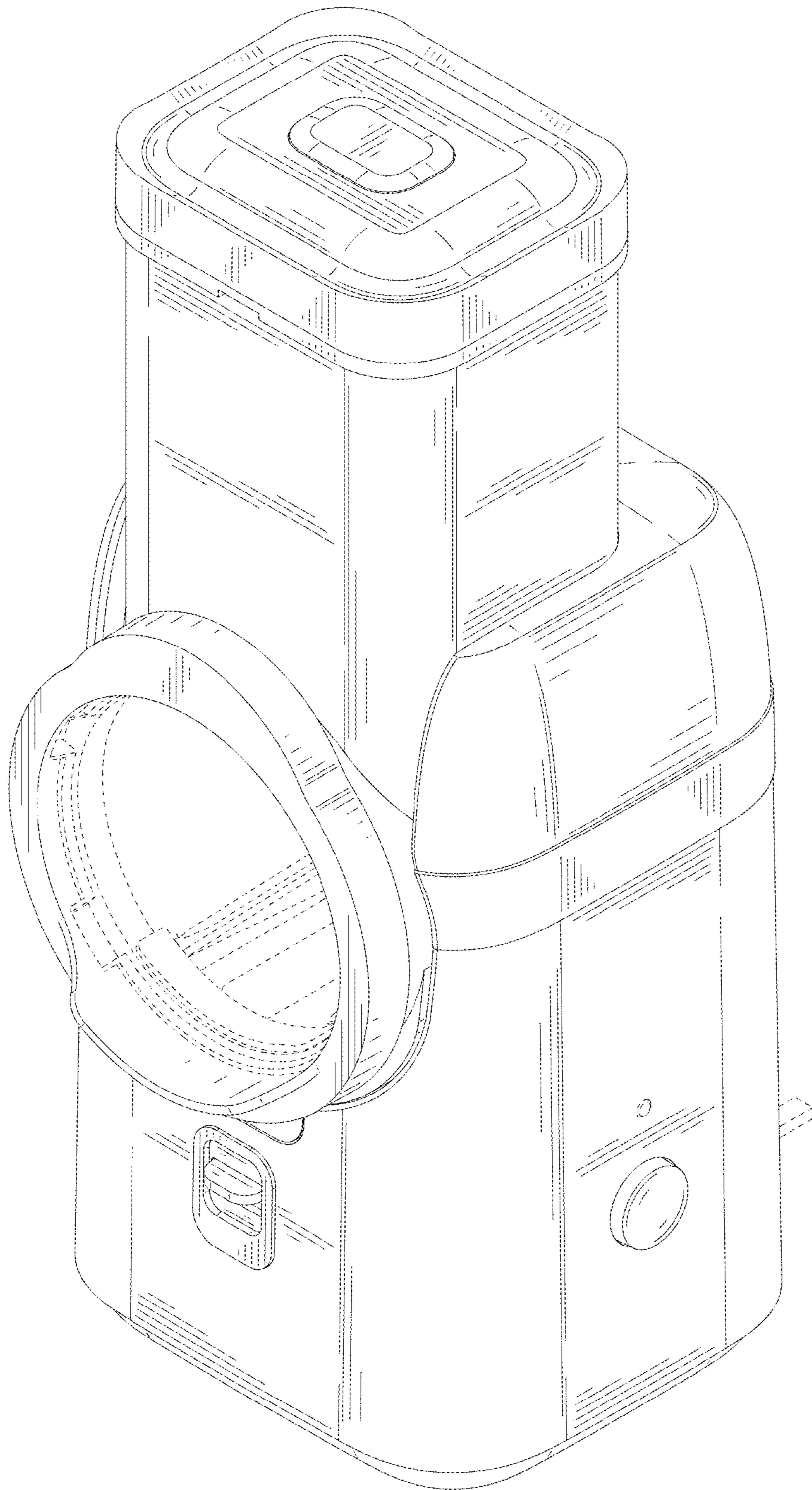


FIG. 1

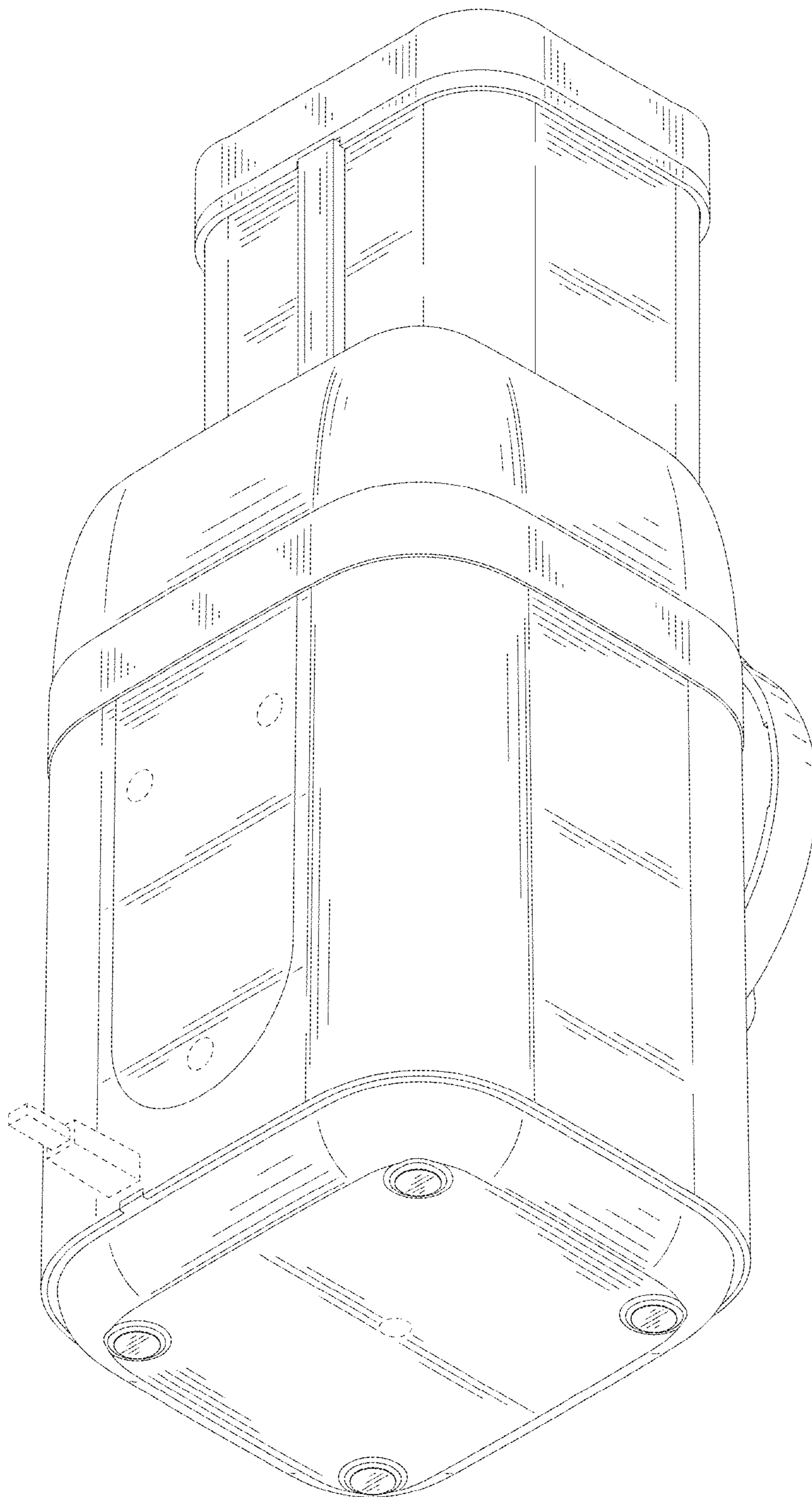


FIG. 2

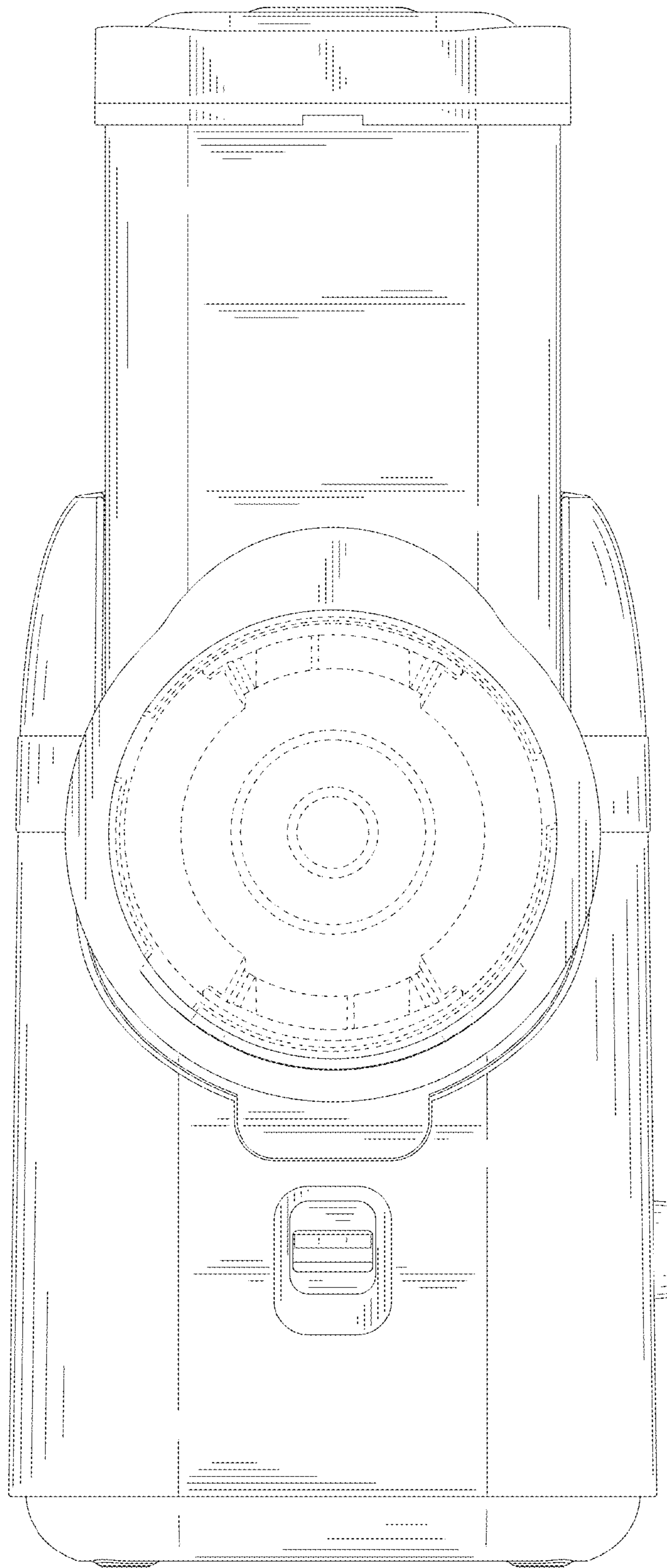


FIG. 3

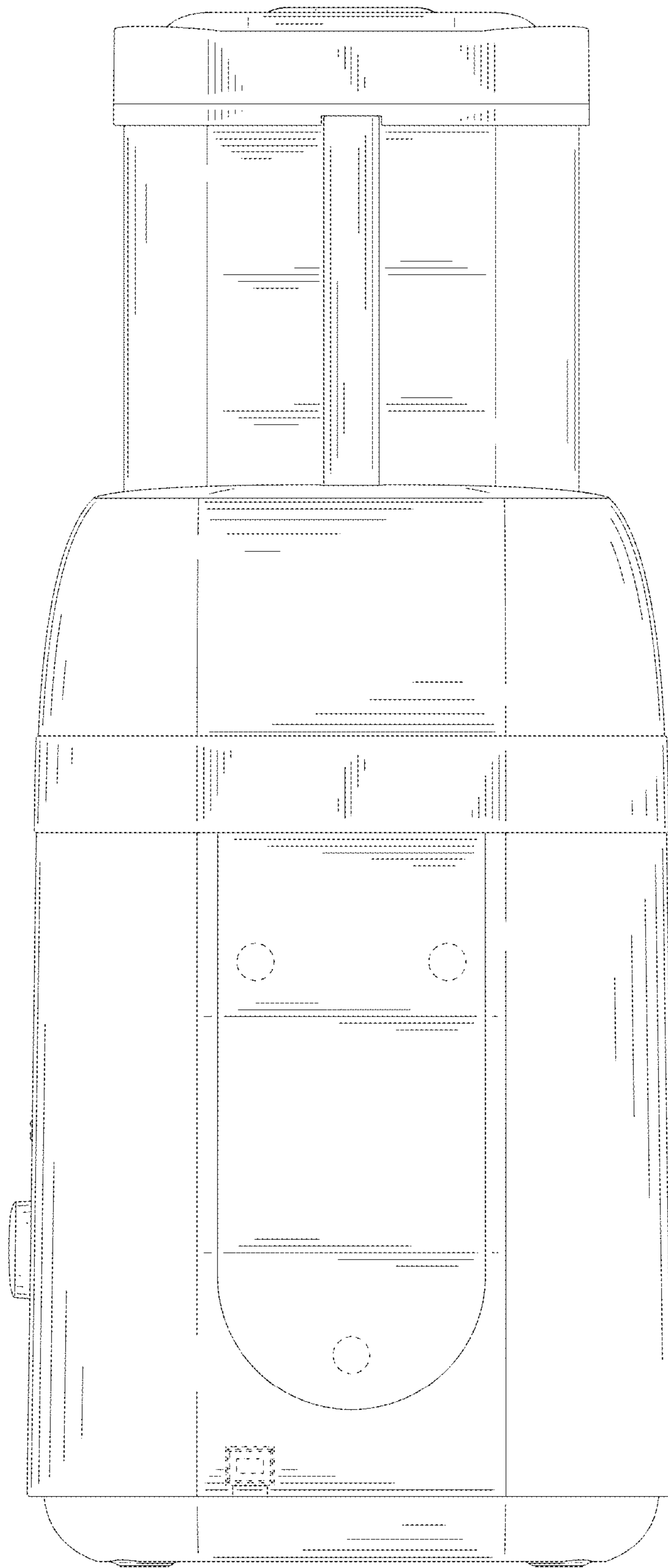


FIG. 4

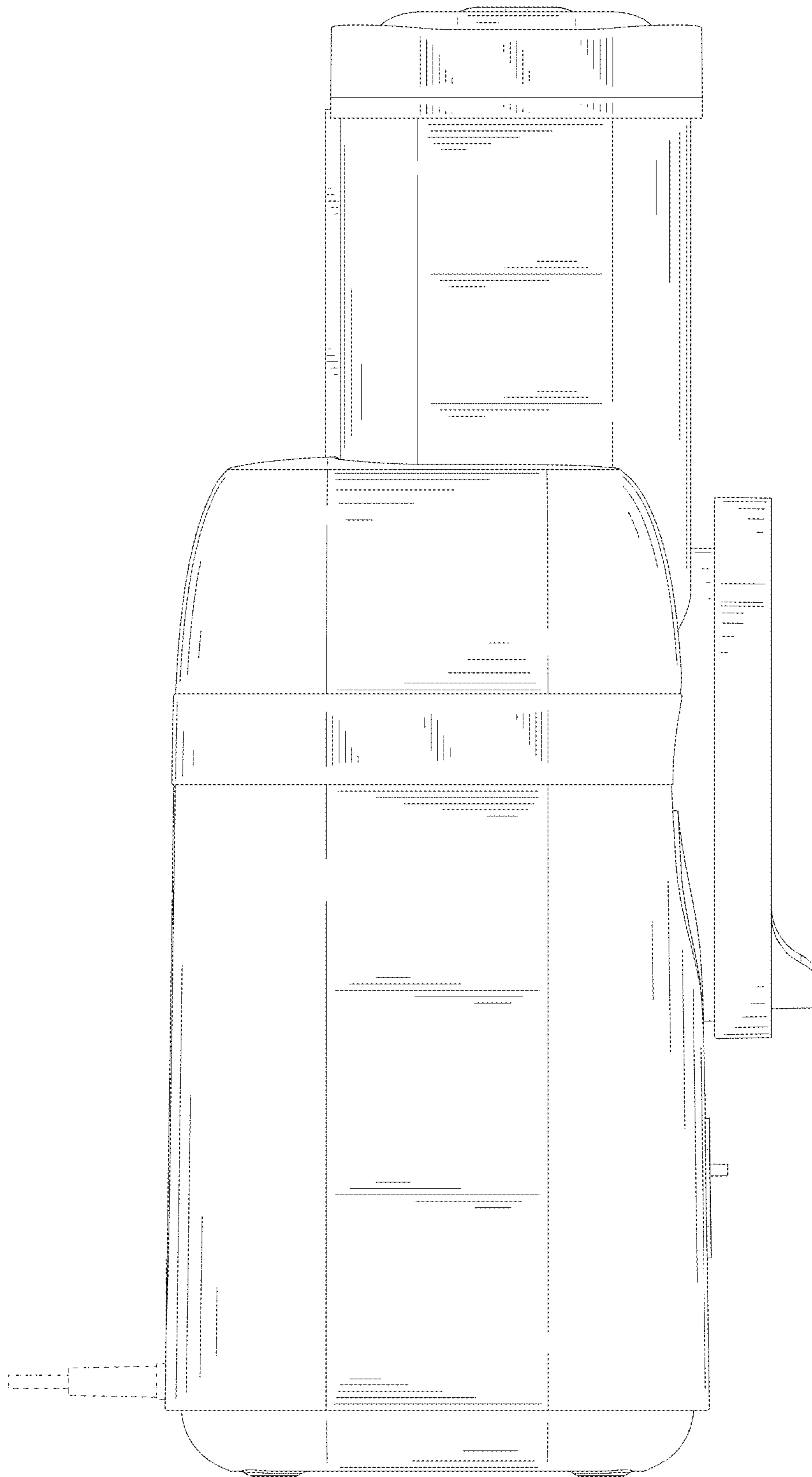


FIG. 5

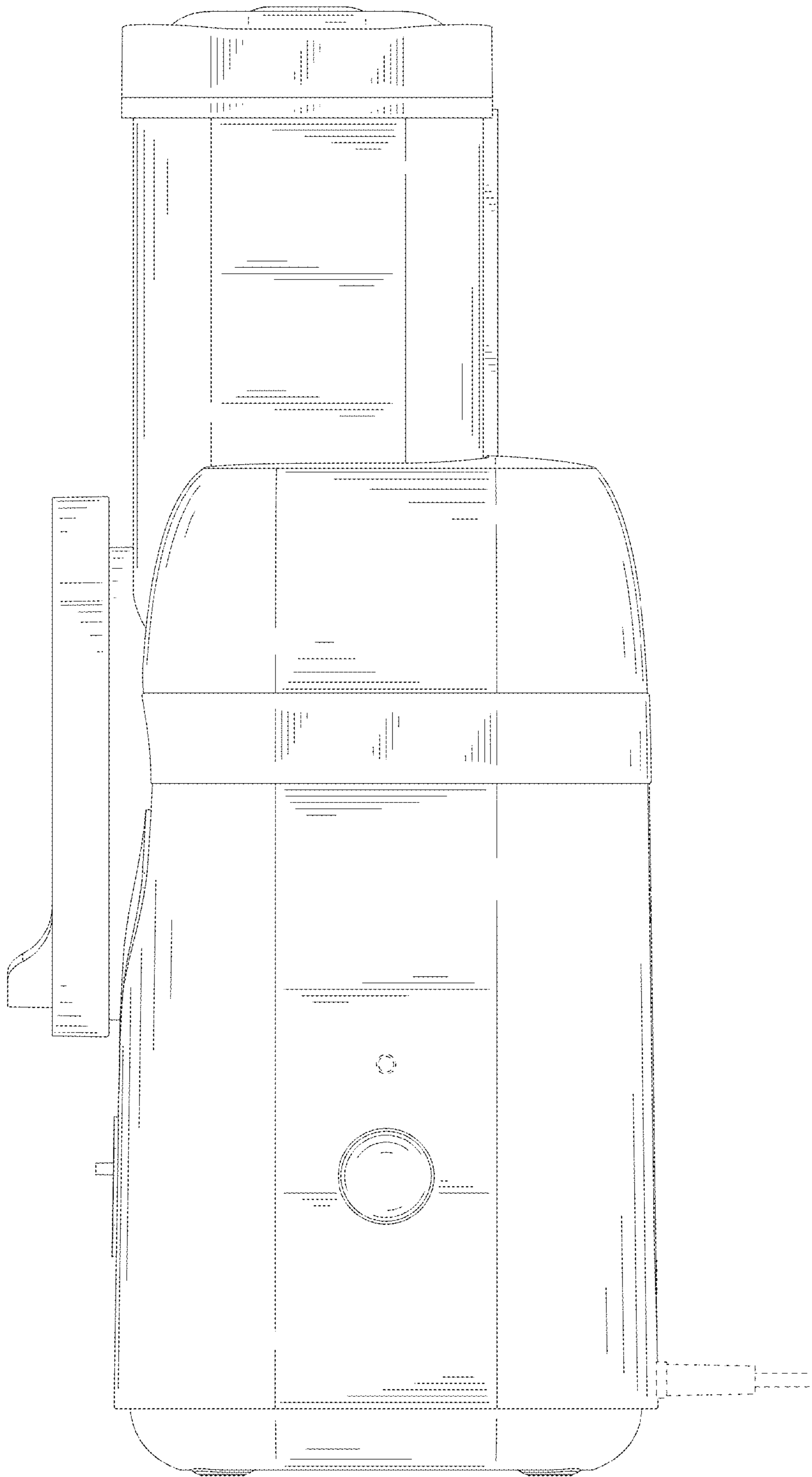


FIG. 6

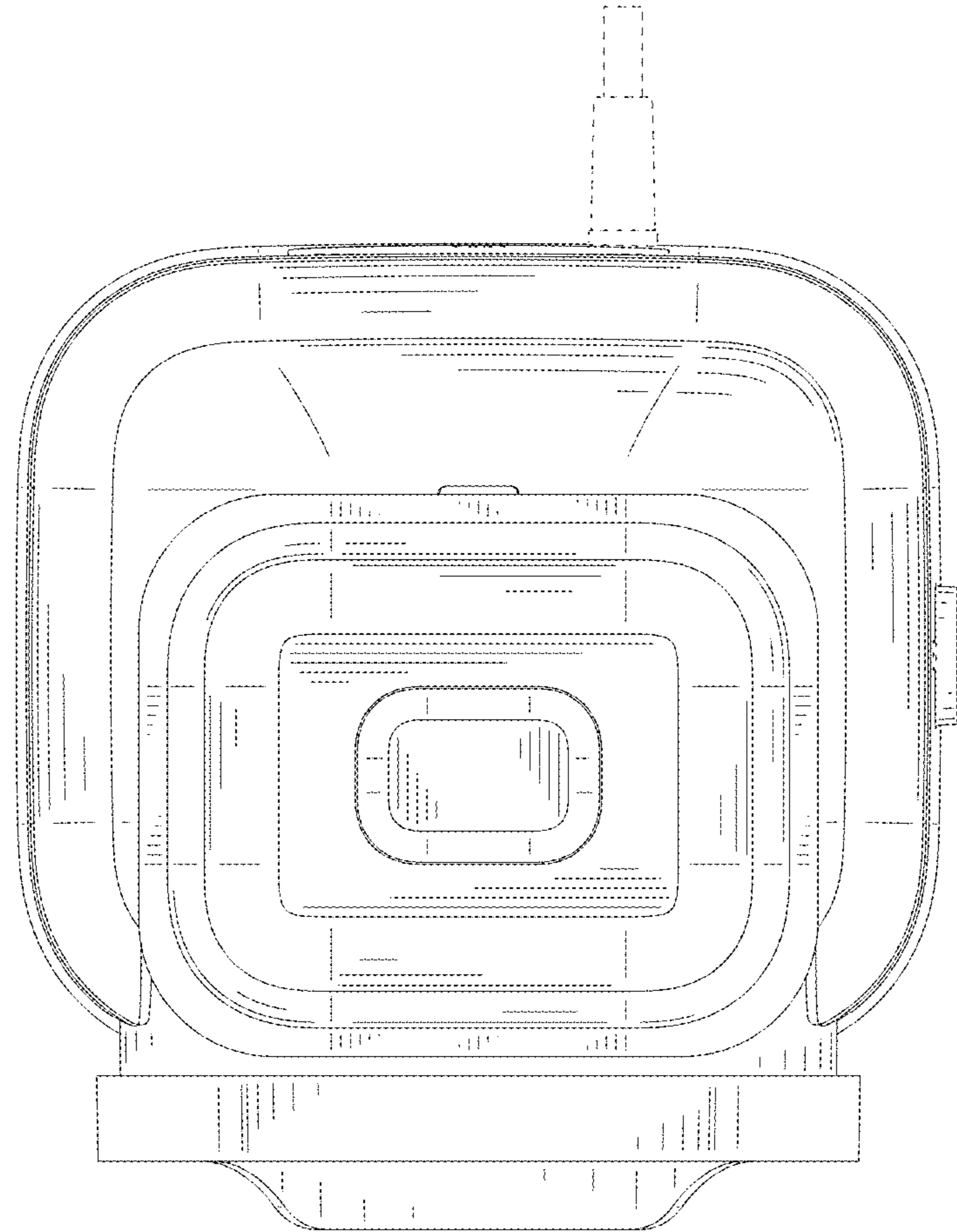


FIG. 7

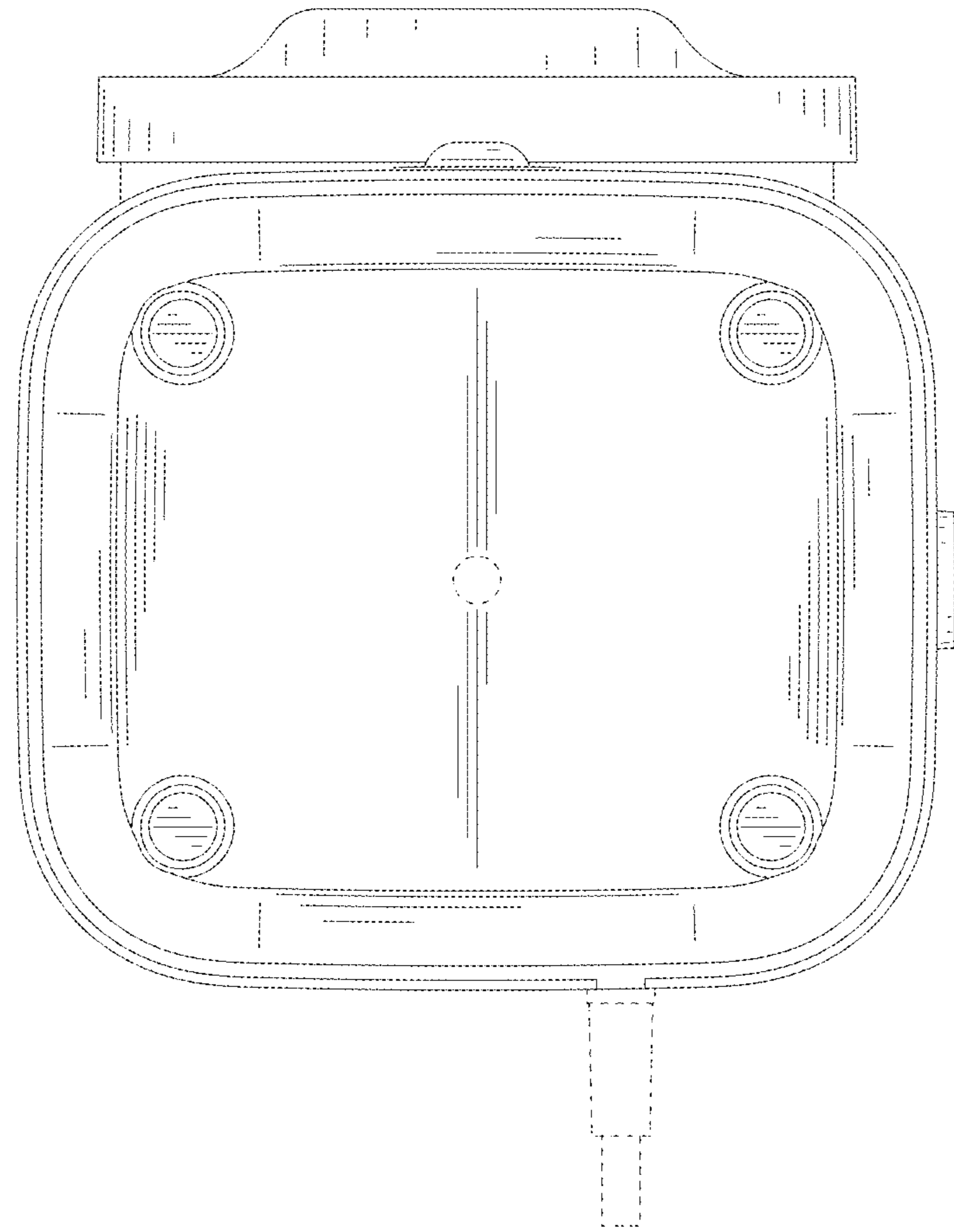


FIG. 8