



US00D981783S

(12) **United States Design Patent** (10) **Patent No.:** **US D981,783 S**  
**Gollnick** (45) **Date of Patent:** **\*\* Mar. 28, 2023**

(54) **COFFEE GRINDER**

(71) Applicant: **Hemro AG**, Bachenbülach (CH)

(72) Inventor: **Carsten Frank Gollnick**, Potsdam (DE)

(\*\*) Term: **15 Years**

(21) Appl. No.: **35/512,356**

(22) Filed: **Feb. 10, 2021**

(80) **Hague Agreement Data**  
 Int. Filing Date: **Feb. 10, 2021**  
 Int. Reg. No.: **DM/213044**  
 Int. Reg. Date: **Feb. 10, 2021**  
 Int. Reg. Pub. Date: **Aug. 13, 2021**

(51) **LOC (14) Cl.** ..... **31-00**

(52) **U.S. Cl.**  
 USPC ..... **D7/373**

(58) **Field of Classification Search**  
 USPC ..... D7/309, 311, 323, 331, 333, 337, 350.1, D7/351, 372, 373, 509, 510, 511  
 CPC ..... Y10S 215/05; Y10S 215/06; A23L 5/10; A47G 23/00; A63H 33/3055; B24B 9/12  
 See application file for complete search history.

D673,419 S \* 1/2013 De Pra ..... D7/378  
 D708,921 S \* 7/2014 Hoare ..... D8/62  
 D804,893 S \* 12/2017 De' Longhi ..... A47J 42/06  
 D7/378  
 D839,659 S \* 2/2019 Cometti ..... D7/373  
 D853,174 S \* 7/2019 Zernhelt ..... D7/373  
 D876,157 S 2/2020 Gollnick  
 D880,223 S \* 4/2020 Koidl ..... D7/372  
 D916,548 S \* 4/2021 Bazzicalupo ..... D7/373  
 D945,810 S \* 3/2022 Fontier ..... D7/400  
 D947,594 S \* 4/2022 Kozirowski ..... D7/323  
 11,412,891 B2 \* 8/2022 Dunkelberg ..... A47J 42/06  
 D966,031 S \* 10/2022 Gollnick ..... D7/373  
 2016/0302431 A1 \* 10/2016 Maile ..... A23L 5/10  
 2018/0344088 A1 \* 12/2018 Alessi ..... A47J 42/40  
 2021/0153692 A1 \* 5/2021 Lissandron ..... A47J 42/36

FOREIGN PATENT DOCUMENTS

JP 1632155 4/2019  
 TW 107303919 4/2019  
 WO DM/101687-002 6/2018

\* cited by examiner

Primary Examiner — Karen S Acker

(57) **CLAIM**

The ornamental design for coffee grinder, as shown and described.

**DESCRIPTION**

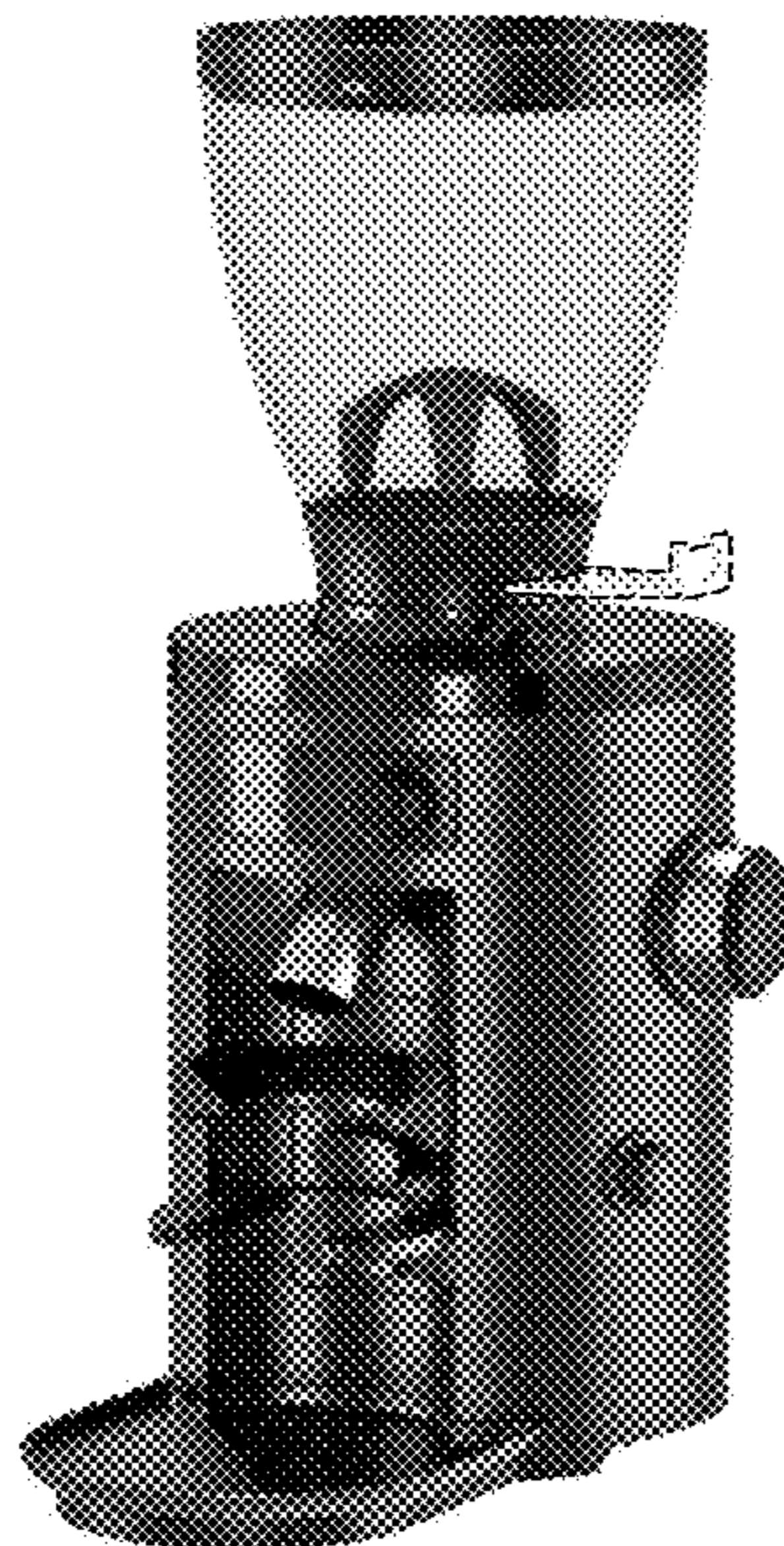
- 2. Coffee grinder
- 2.1 : Perspective
- 2.2 : Front
- 2.3 : Left
- 2.4 : Right
- 2.5 : Back
- 2.6 : Bottom

The broken lines surrounding de-emphasized areas in the reproductions depict portions of the coffee grinder that form no part of the claimed design.

**1 Claim, 6 Drawing Sheets**

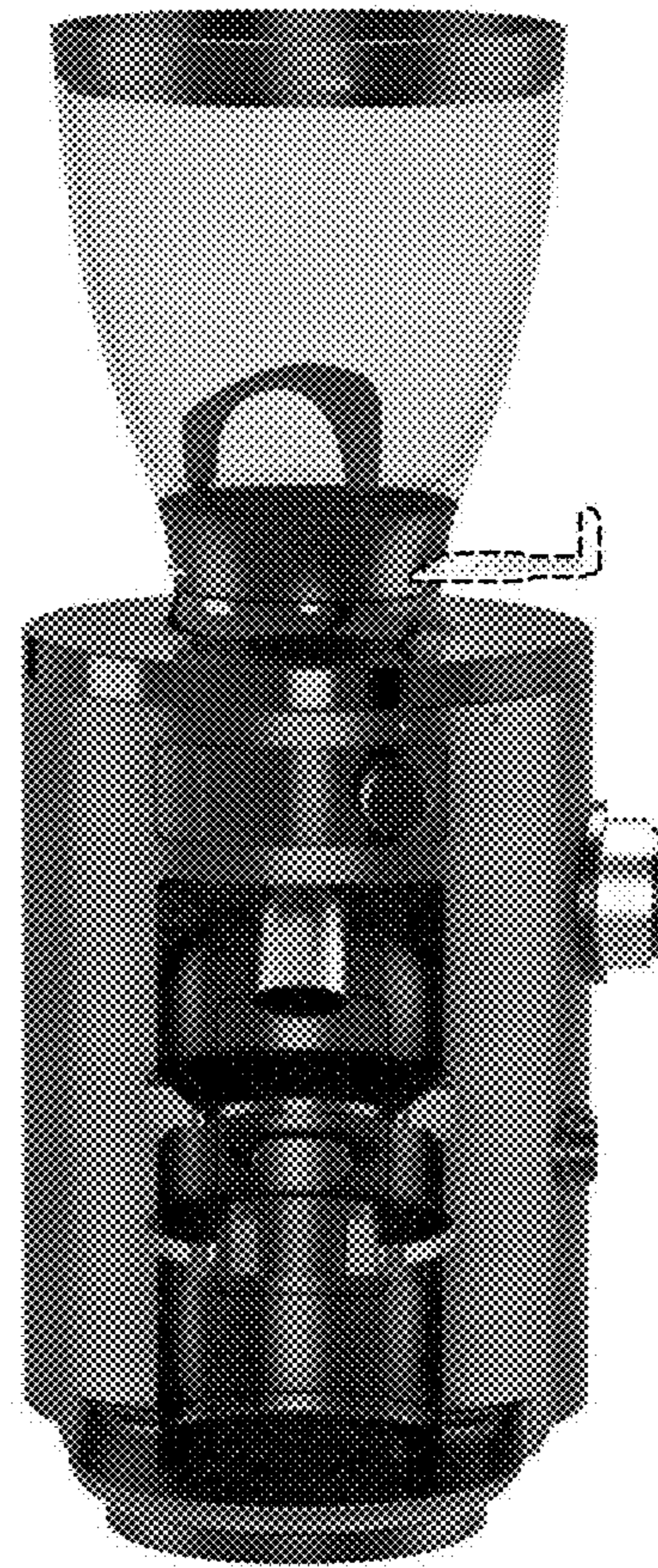
(56) **References Cited**  
 U.S. PATENT DOCUMENTS

D131,880 S \* 3/1942 McLean et al. .... D7/372  
 D361,919 S \* 9/1995 Fouquet ..... D7/373  
 D363,411 S \* 10/1995 Mock ..... D7/372  
 D389,010 S \* 1/1998 Joergensen ..... D7/373  
 D420,248 S \* 2/2000 Uemura ..... D7/373  
 D437,523 S \* 2/2001 Glucksman ..... D7/373  
 D500,427 S \* 1/2005 Fung ..... D7/373  
 D528,355 S \* 9/2006 Smit ..... D7/373  
 D538,099 S \* 3/2007 Fouquet ..... D7/373  
 D653,905 S \* 2/2012 Bodum ..... D7/412





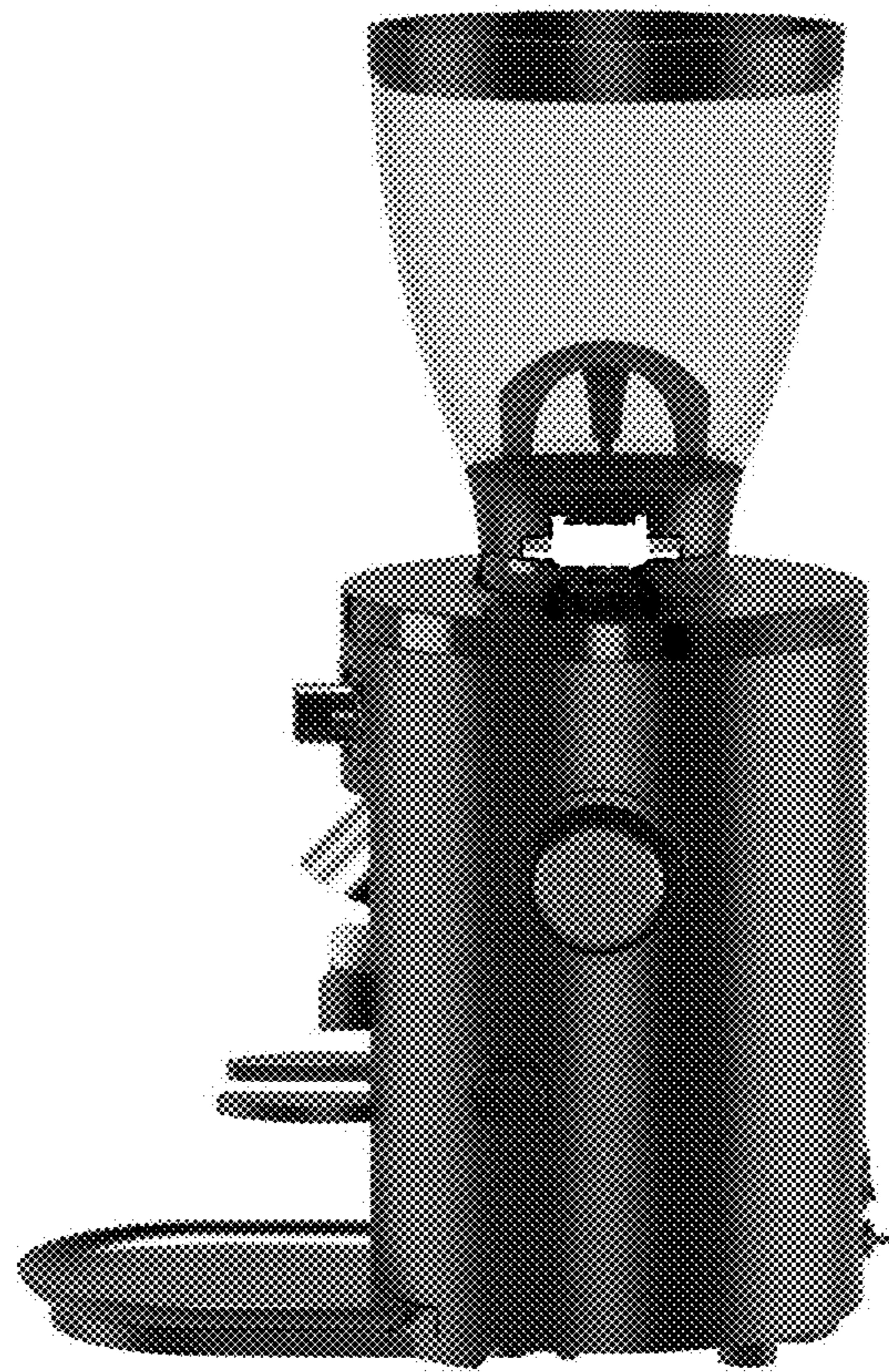
2.1



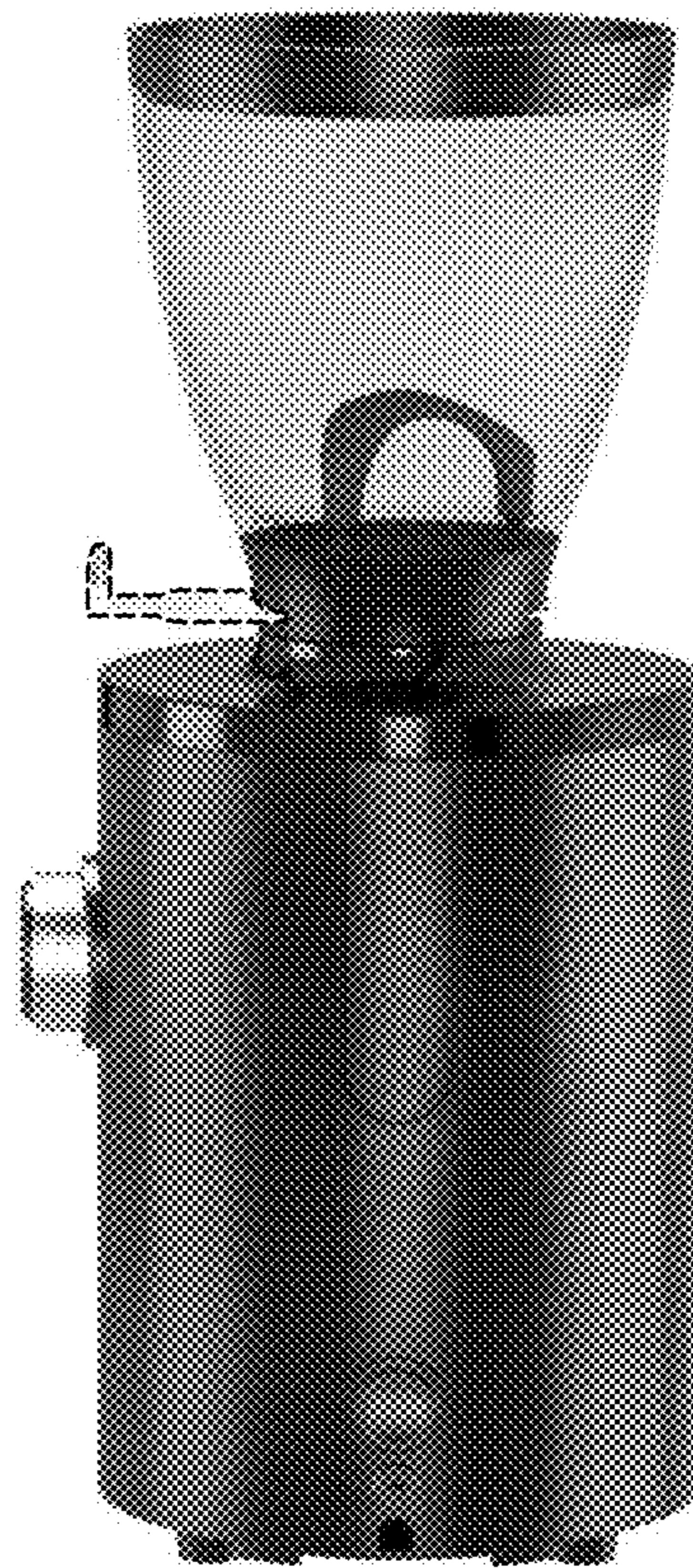
2.2



2.3



2.4



2.5



2.6