



US00D981781S

(12) **United States Design Patent**  
**Huang et al.**

(10) **Patent No.:** **US D981,781 S**  
(45) **Date of Patent:** **\*\* Mar. 28, 2023**

(54) **OVEN**  
(71) Applicant: **GRAND MATE CO., LTD.**, Taichung (TW)  
(72) Inventors: **Chung-Chin Huang**, Taichung (TW);  
**Chin-Ying Huang**, Taichung (TW);  
**Hsin-Ming Huang**, Taichung (TW);  
**Hsing-Hsiung Huang**, Taichung (TW);  
**Yen-Jen Yeh**, Taichung (TW)

D560,421 S \* 1/2008 Davis ..... F24C 15/08  
D7/348  
D588,312 S \* 3/2009 Lee ..... D7/323  
D759,419 S \* 6/2016 Ruscito ..... D7/339  
D776,476 S \* 1/2017 Euwer ..... D7/334  
D790,904 S \* 7/2017 Sajjad ..... F24C 15/162  
D7/339  
D881,632 S \* 4/2020 Ye ..... D7/348  
D889,184 S \* 7/2020 Barqueros Lopez ..... D7/339  
D954,487 S \* 6/2022 Li ..... D7/350.3  
2022/0372803 A1 \* 11/2022 Huang ..... E05C 17/025

(73) Assignee: **GRAND MATE CO., LTD.**, Taichung (TW)

(\*\*) Term: **15 Years**

(21) Appl. No.: **29/772,027**

(22) Filed: **Feb. 26, 2021**

(51) **LOC (14) Cl.** ..... **07-02**

(52) **U.S. Cl.**  
USPC ..... **D7/350.1**

(58) **Field of Classification Search**  
USPC ..... D7/323, 332-339, 347-351, 387,  
D7/402-405; D21/523-525  
CPC ..... A47J 37/00; A47J 37/06; A47J 37/0623;  
A47J 37/0629; A47J 37/0635; A47J  
37/0641; A47J 37/0647; A47J 37/0652;  
A47J 37/0658; A47J 37/067; A47J 37/07;  
A47J 37/0704; A47J 37/0709; A47J  
37/0713; A47J 37/0763; A47J 37/0871;  
F24C 15/02; E05C 17/025  
See application file for complete search history.

(56) **References Cited**

**U.S. PATENT DOCUMENTS**

2,300,405 A \* 11/1942 Cook ..... F24C 15/08  
220/592.21  
D324,623 S \* 3/1992 Oates, Jr. .... D7/337  
5,160,829 A \* 11/1992 Chang ..... F24C 15/162  
219/400

**OTHER PUBLICATIONS**

Design No. 306626231, Jan. 25, 2021—China National Intellectual Property Administration (CNIPA) Publication Date—Jun. 22, 2021  
Owner—Grand Mate Co Ltd, Designer—Huang Zhongjing WIPO, available at <https://www3.wipo.int/designdb/en/index.jsp> (Year: 2021).\*

\* cited by examiner

*Primary Examiner* — Mary Ann Calabrese

*Assistant Examiner* — Natalya M Rapundalo

(74) *Attorney, Agent, or Firm* — Apex Juris, PLLC; Tracy Heims; Hilde Coeckx

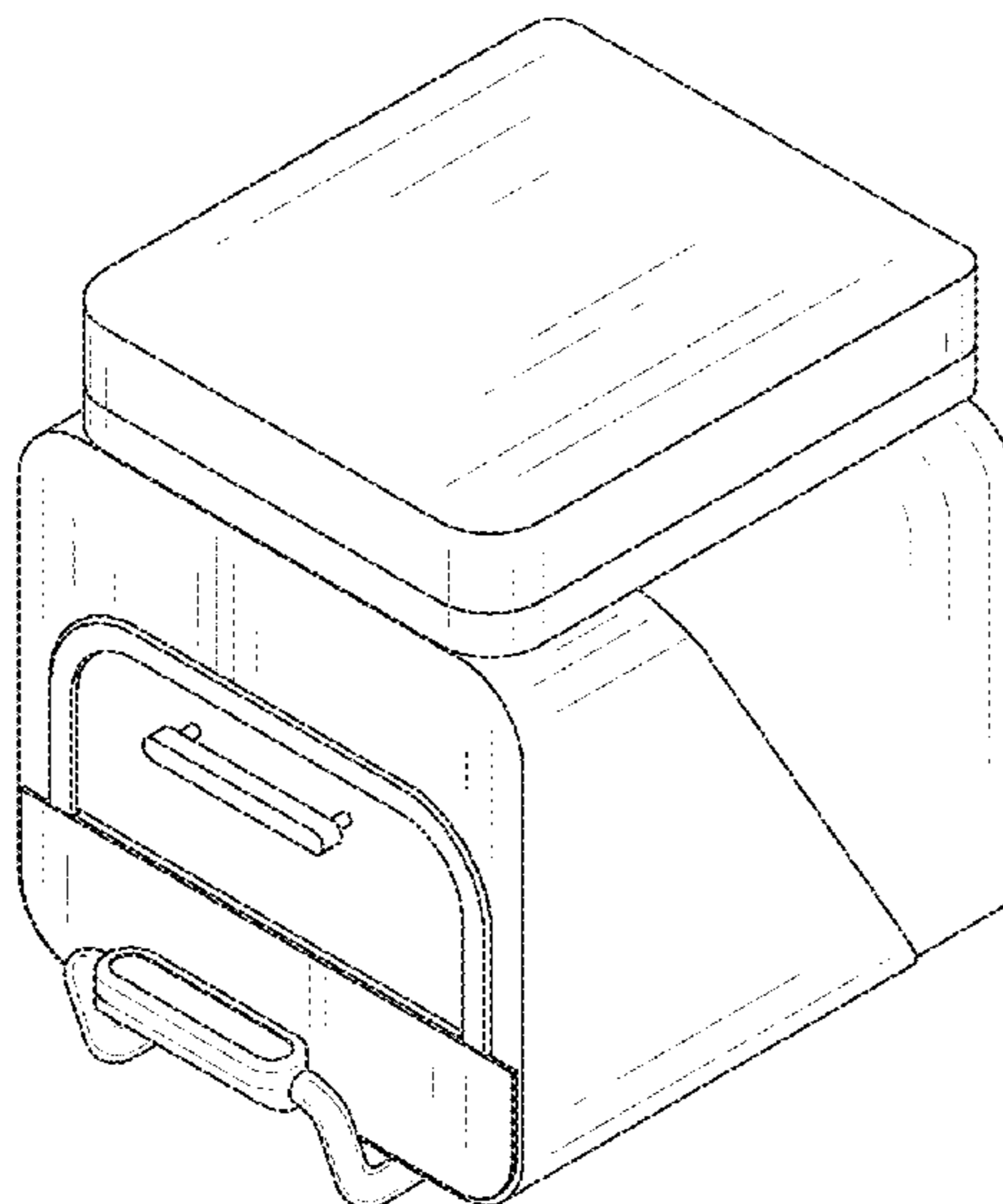
(57) **CLAIM**

The ornamental design for an oven, as shown and described.

**DESCRIPTION**

FIG. 1 is a front perspective view of an oven according to the present disclosure;  
FIG. 2 is a rear perspective view of the oven of FIG. 1;  
FIG. 3 is a front view of the oven of FIG. 1;  
FIG. 4 is a rear view of the oven of FIG. 1;  
FIG. 5 is a left side view of the oven of FIG. 1;  
FIG. 6 is a right side view of the oven of FIG. 1;  
FIG. 7 is a top view of the oven of FIG. 1; and,  
FIG. 8 is a bottom view of the oven of FIG. 1.  
The broken lines showing portions of the oven form no part of the claimed design.

**1 Claim, 8 Drawing Sheets**



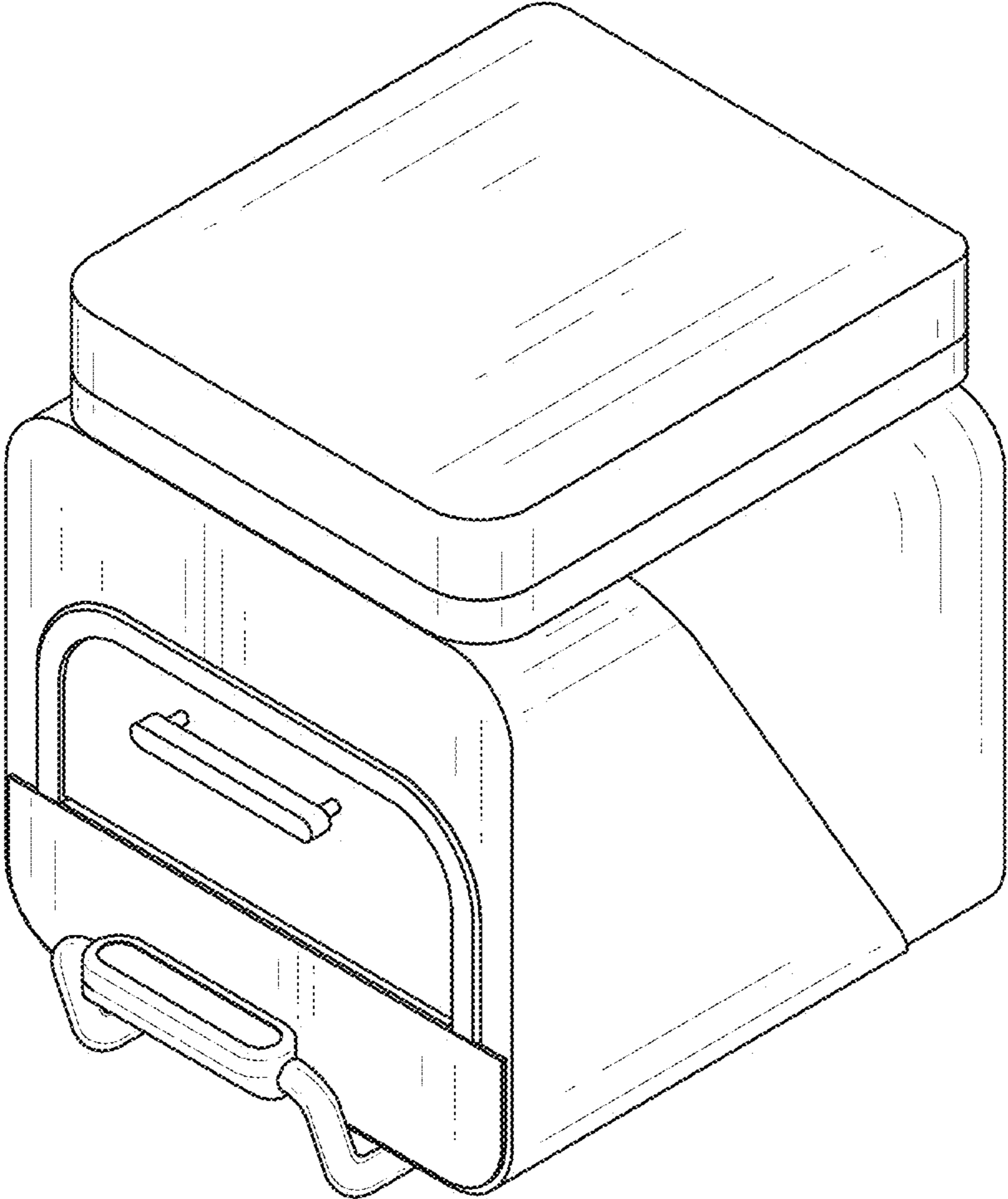


FIG.1

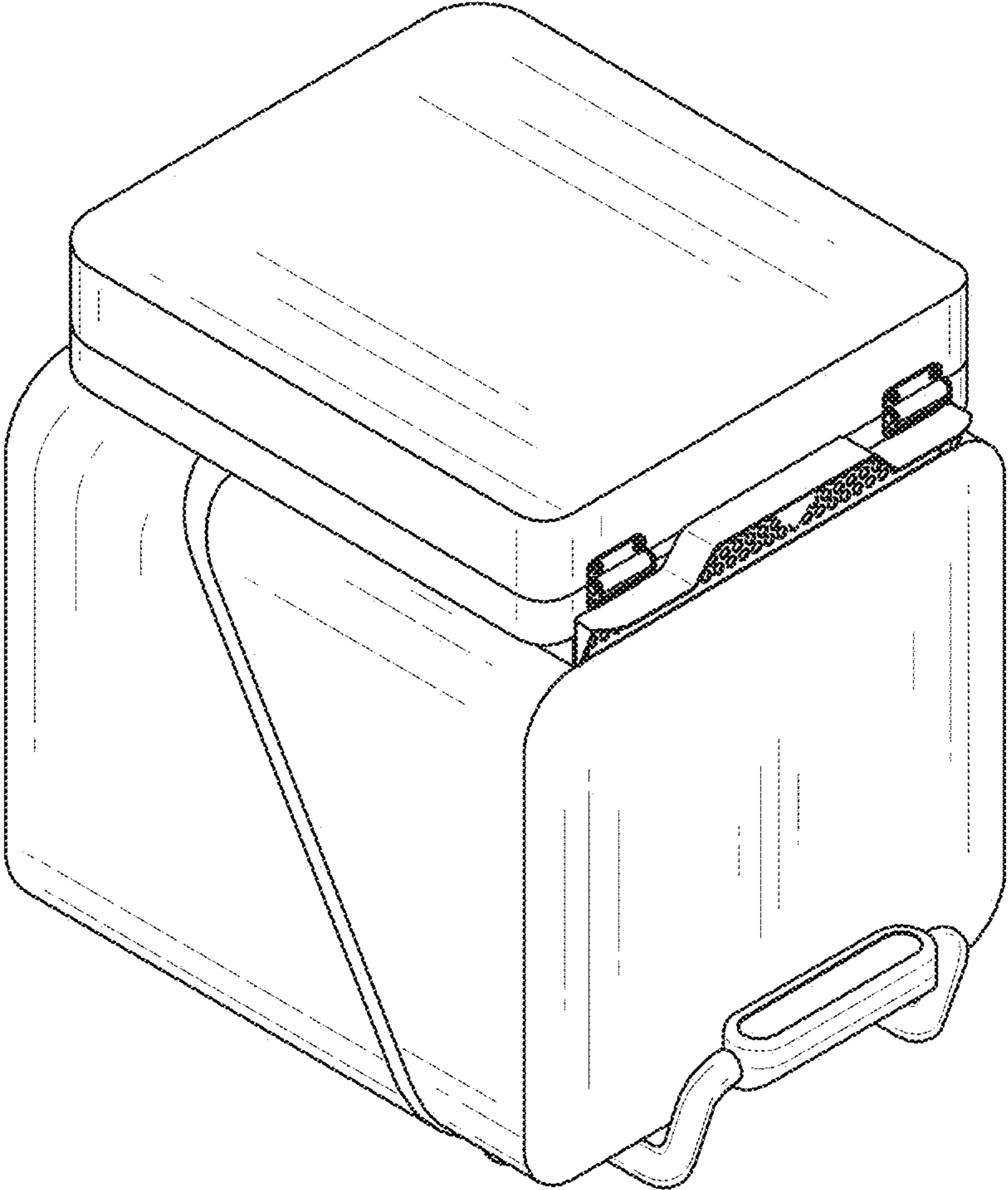


FIG.2

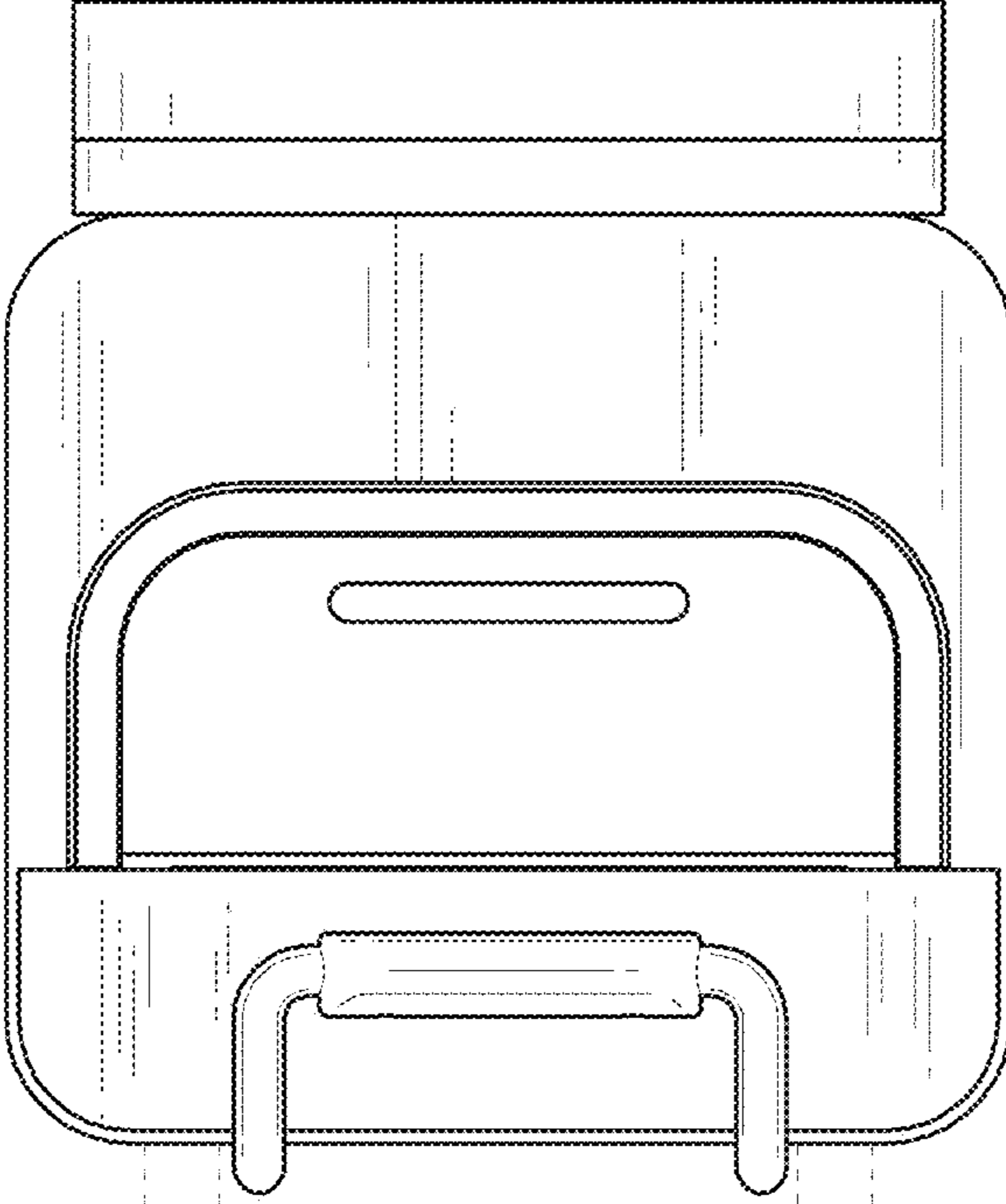


FIG.3

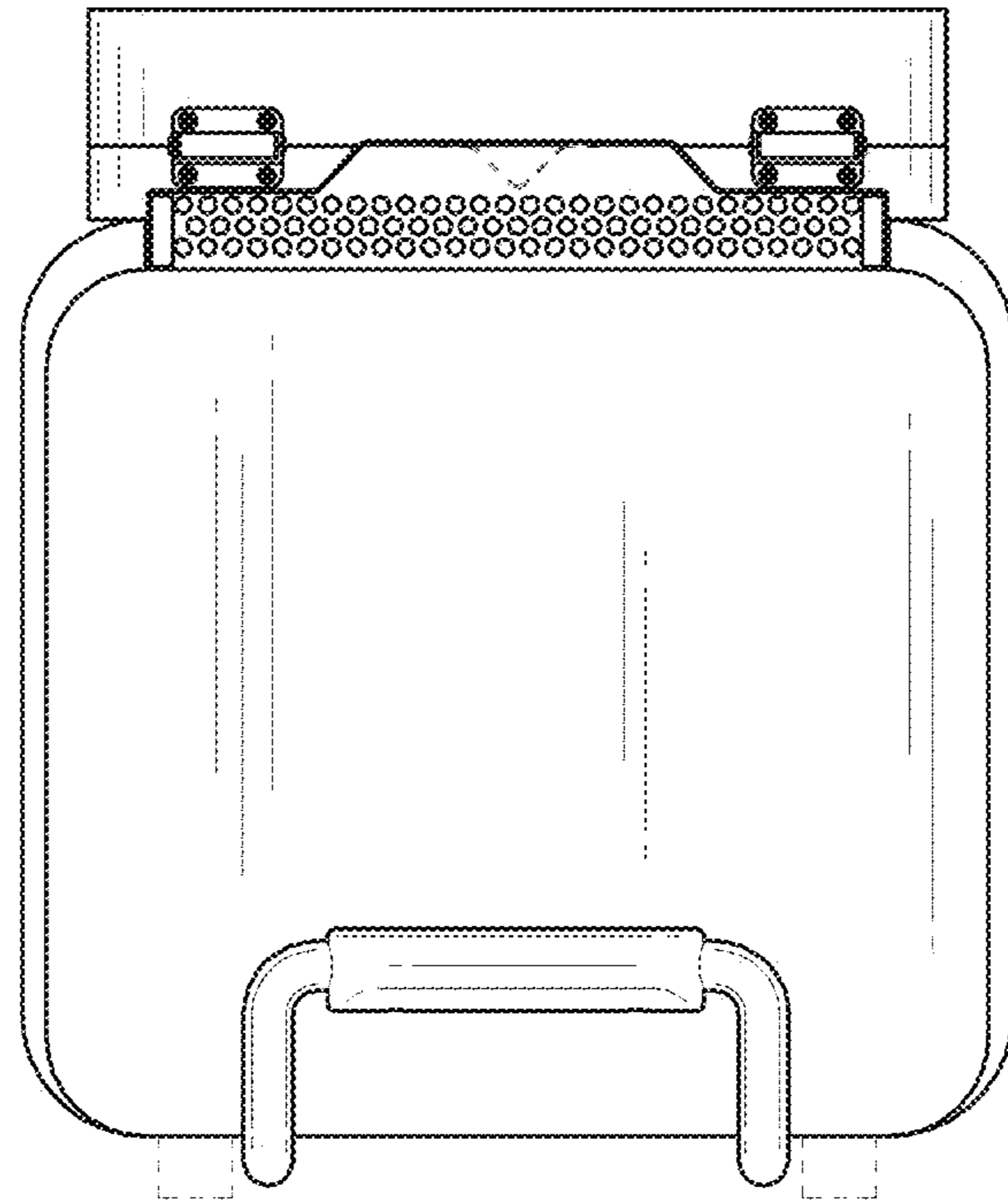


FIG.4

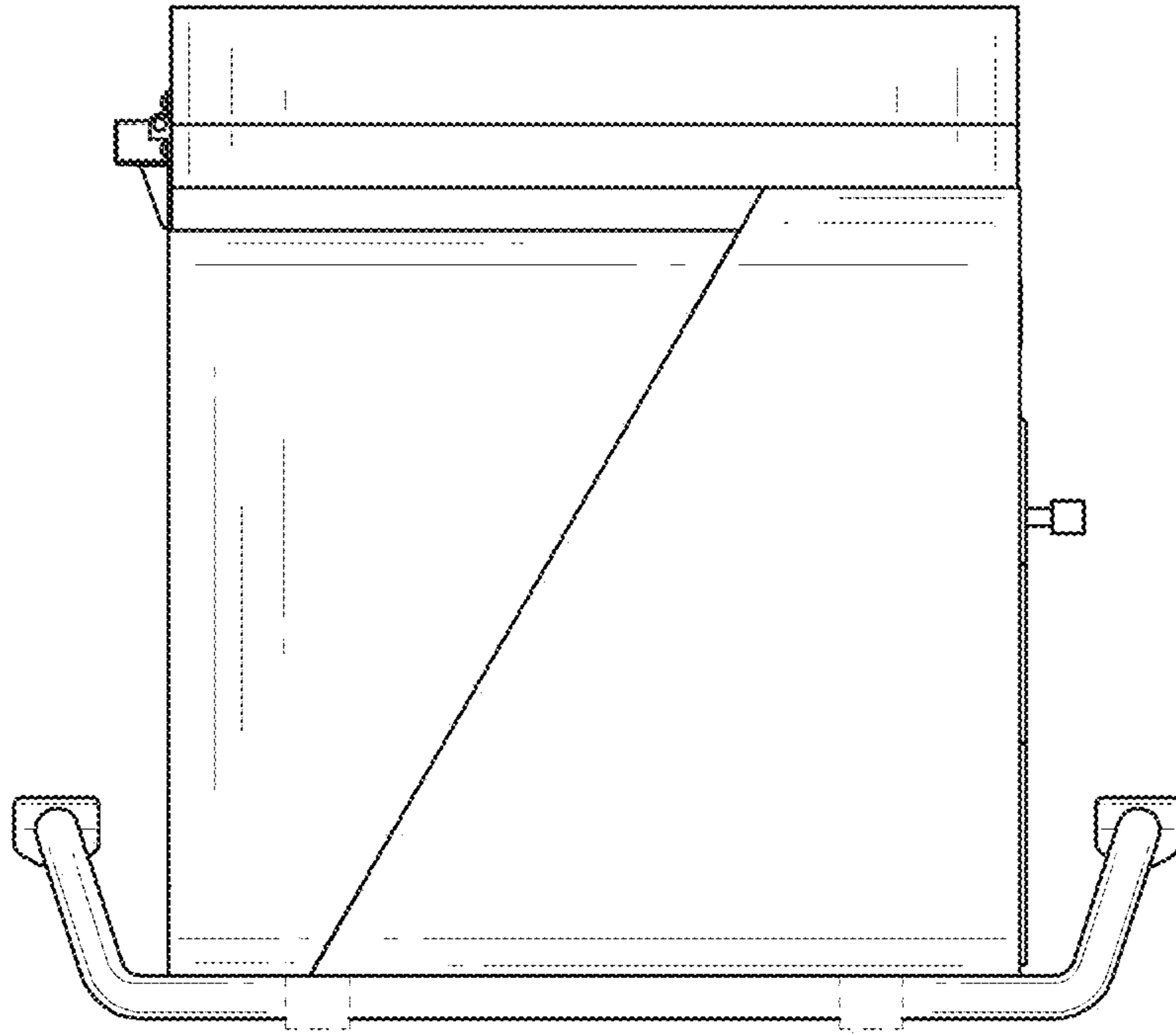


FIG.5



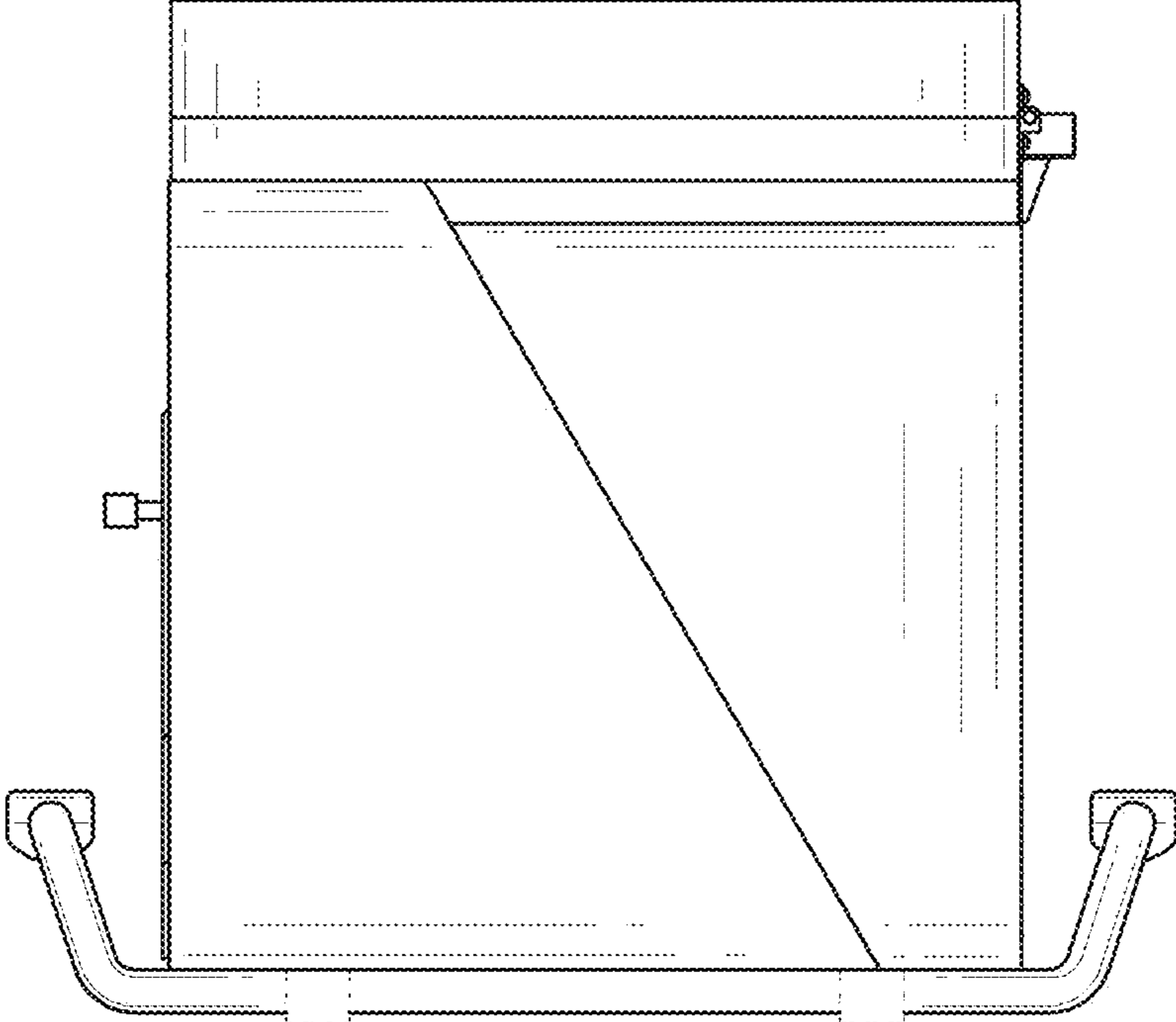


FIG.6

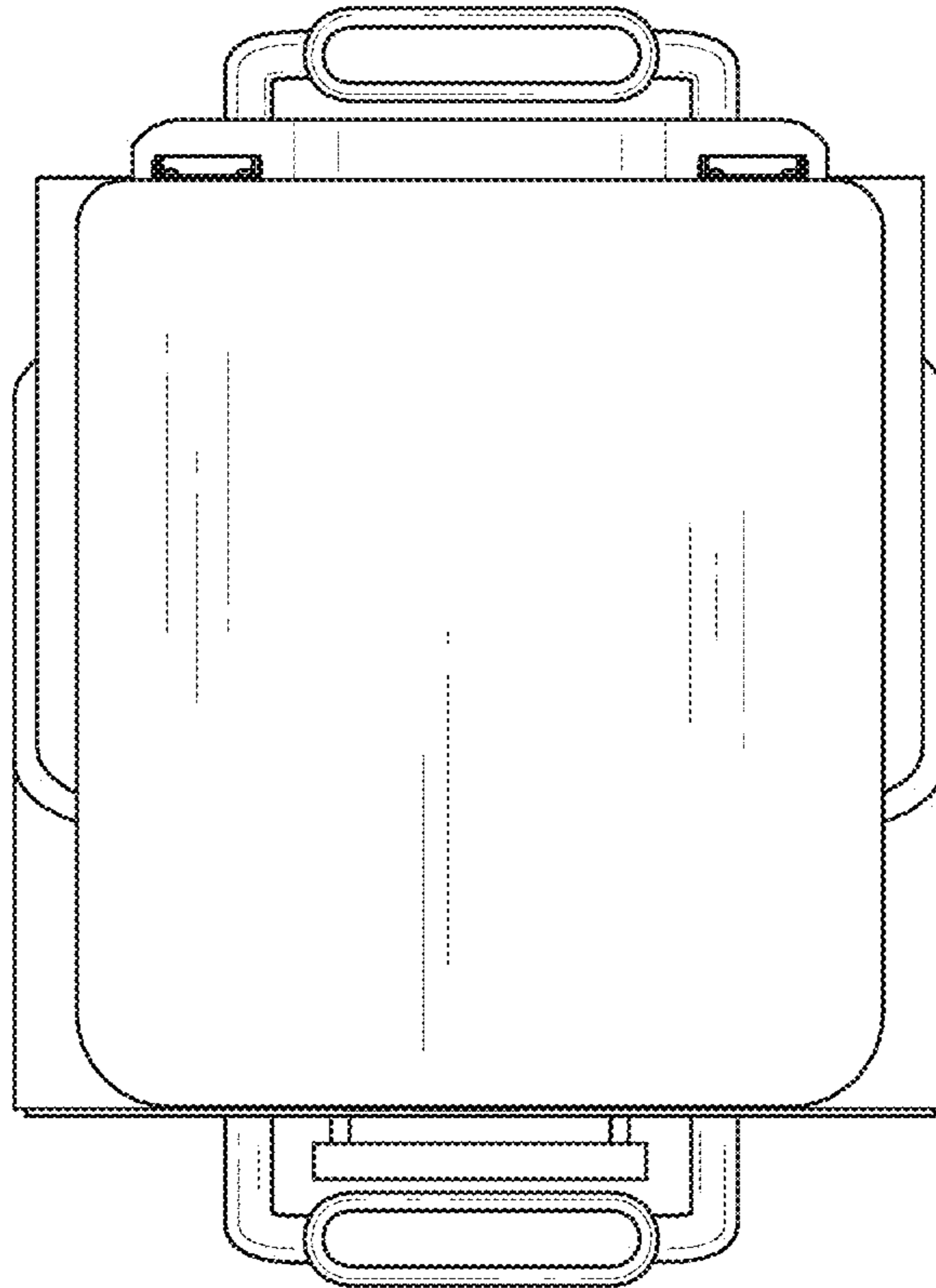


FIG.7



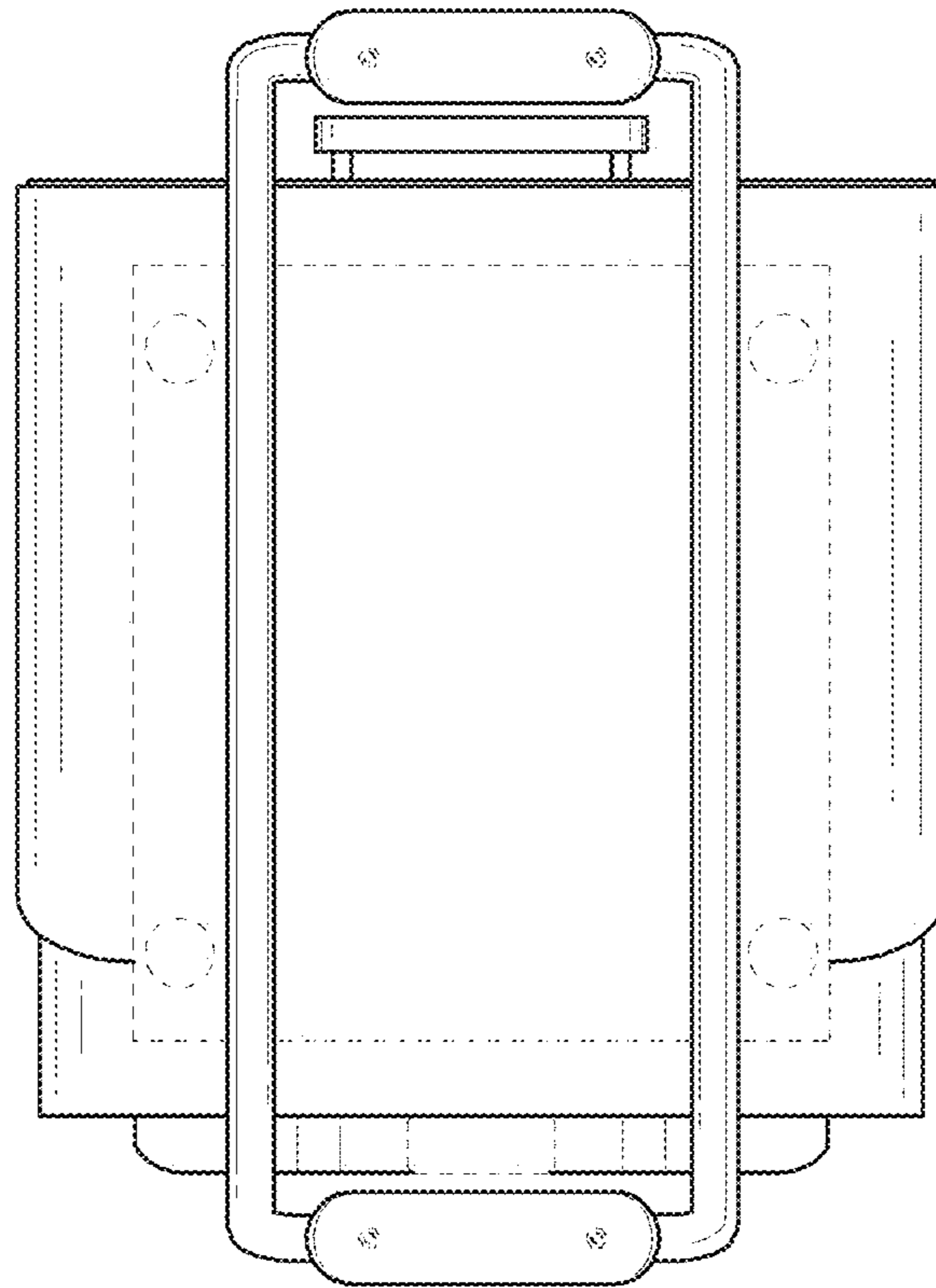


FIG.8