



US00D981780S

(12) **United States Design Patent**  
**Kim et al.**

(10) **Patent No.:** **US D981,780 S**  
(45) **Date of Patent:** **\*\* Mar. 28, 2023**

(54) **INDUCTION RANGE**

(71) Applicant: **Samsung Electronics Co., Ltd.**,  
Gyeonggi-do (KR)

(72) Inventors: **Jaejun Kim**, Gyeonggi-do (KR);  
**Gerhardt Kellermann**, Munich (DE);  
**Ana Relvao**, Munich (DE); **Gisung Han**,  
Gyeonggi-do (KR)

(73) Assignee: **SAMSUNG ELECTRONICS CO., LTD.**,  
Gyeonggi-do (KR)

(\*\*) Term: **15 Years**

(21) Appl. No.: **29/722,868**

(22) Filed: **Feb. 3, 2020**

(30) **Foreign Application Priority Data**

Aug. 29, 2019 (KR) ..... 30-2019-0041459

(51) **LOC (14) Cl.** ..... **07-02**

(52) **U.S. Cl.**  
USPC ..... **D7/346**

(58) **Field of Classification Search**  
USPC ..... D7/323, 328, 329, 339, 340, 341, 342,  
D7/343, 344, 345, 346, 347, 348, 349,  
D7/351, 362, 363, 364, 367, 390, 402,  
D7/403, 404, 405, 406, 407, 408;  
D21/523, 524; D6/703, 703.2  
CPC ..... A21B 1/00; A21B 1/02; A21B 1/52; A47J  
37/00; A47J 37/04; A47J 37/06; A47J  
37/0623; A47J 37/0629; A47J 37/0676;  
(Continued)

(56) **References Cited**

**U.S. PATENT DOCUMENTS**

3,596,650 A \* 8/1971 Cerola ..... F24C 15/2042  
126/39 J  
3,766,906 A \* 10/1973 Jenn ..... A47J 37/0682  
126/299 R

(Continued)

**FOREIGN PATENT DOCUMENTS**

EM 0014543340001 8/2016  
EM 0014543340002 8/2016

(Continued)

**OTHER PUBLICATIONS**

Module Cooktops, announced © 2022 [online], retrieved Nov. 8,  
2022, retrieved from internet, <https://www.subzero-wolf.com/wolf-cooktop>.\*

(Continued)

*Primary Examiner* — Messina L Smith

(74) *Attorney, Agent, or Firm* — Cantor Colburn LLP

(57) **CLAIM**

The ornamental design for an induction range, as shown and described.

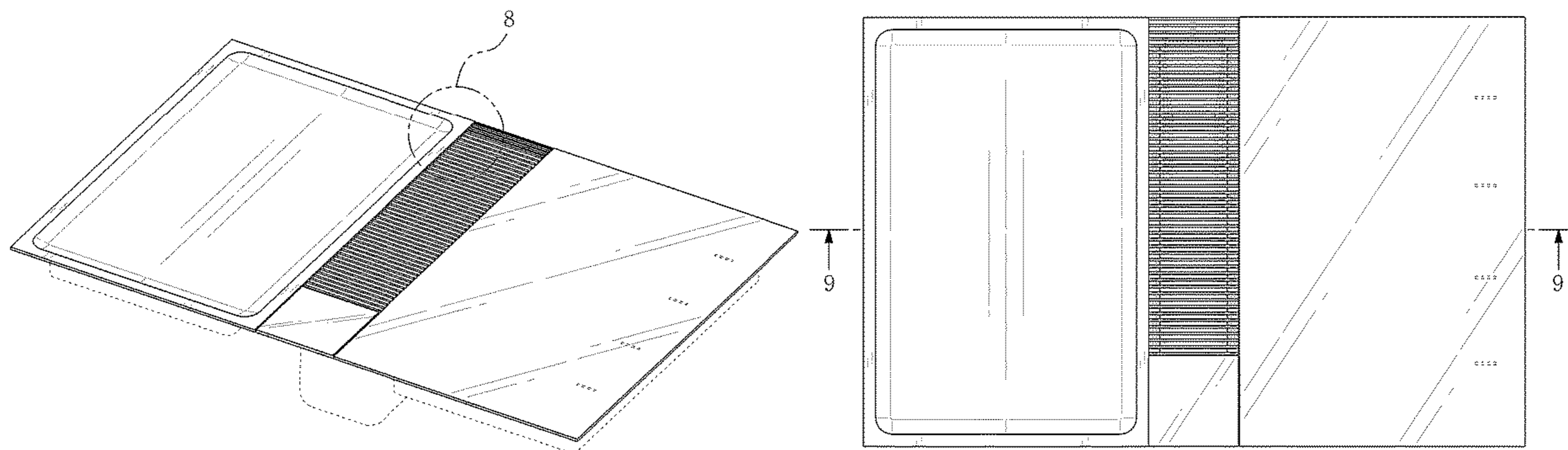
**DESCRIPTION**

FIG. 1 is a front perspective view of an induction range, showing our new design;  
FIG. 2 is a front view thereof;  
FIG. 3 is a rear view thereof;  
FIG. 4 is a left-side view thereof;  
FIG. 5 is a right-side view thereof;  
FIG. 6 is a top view thereof;  
FIG. 7 is a bottom view thereof;  
FIG. 8 is an enlarged view of the encircled portion 8 in FIG. 1; and,  
FIG. 9 is a cross-sectional view taken along the line 9-9 of FIG. 2.

The broken lines depict portions of the induction range and environmental structure that form no part of the claimed design.

The dot-dot-dash broken lines encircling enlargement portions of the design form no part of the claimed design.

**1 Claim, 7 Drawing Sheets**



(58) **Field of Classification Search**

CPC ..... A47J 37/08; A47J 37/0864; F24C 1/00;  
 F24C 3/00; F24C 3/002; F24C 3/008;  
 F24C 5/00; F24C 7/00; F24C 7/002;  
 F24C 7/043; F24C 7/046; F24C 7/062;  
 F24C 11/00; F24C 15/02; F24C 15/04;  
 F24C 15/10

See application file for complete search history.

FOREIGN PATENT DOCUMENTS

EM	0014543340016	8/2016
EM	0033570780001	8/2016
EM	0033570780004	8/2016
KR	301079999.0000	* 10/2020
WO	D205945-001	* 7/2020

(56) **References Cited**

U.S. PATENT DOCUMENTS

4,428,357	A *	1/1984	Field .....	F24C 15/2042 126/300
D303,604	S *	9/1989	Beach .....	D7/346
D348,800	S *	7/1994	Doty .....	D7/346
D361,015	S *	8/1995	Doty .....	D7/346
D380,109	S *	6/1997	Saunders .....	D6/703
D618,057	S *	6/2010	Ormrod .....	D7/408
D791,753	S *	7/2017	Bae .....	D14/341
D928,547	S *	8/2021	Kim .....	D7/346
2006/0191895	A1 *	8/2006	Li .....	A47J 37/0676 219/497
2021/0131674	A1 *	5/2021	Bardal .....	F24C 15/107

OTHER PUBLICATIONS

Introducing the Bluestar Induction Cooktop, announced Jun. 28, 2017 [online], retrieved Nov. 8, 2022, retrieved from internet, <https://www.bluestarcooking.com/introducing-bluestar-induction-cooktop/>.\*

The Latest from Jenn-Air, announced Oct. 7, 2017 [online], retrieved Nov. 8, 2022, retrieved from internet, <https://www.yaleappliance.com/product/gaggenau-400-series-36-stainless-steel-flex-induction-cooktop-vi492613-894804>.\*

15" Transitional Grill Module, announced © 2022 [online], retrieved Nov. 8, 2022, retrieved from internet, <https://www.subzero-wolf.com/wolf/cooktop/15-inch-electric-grill>.\*

\* cited by examiner

FIG. 1

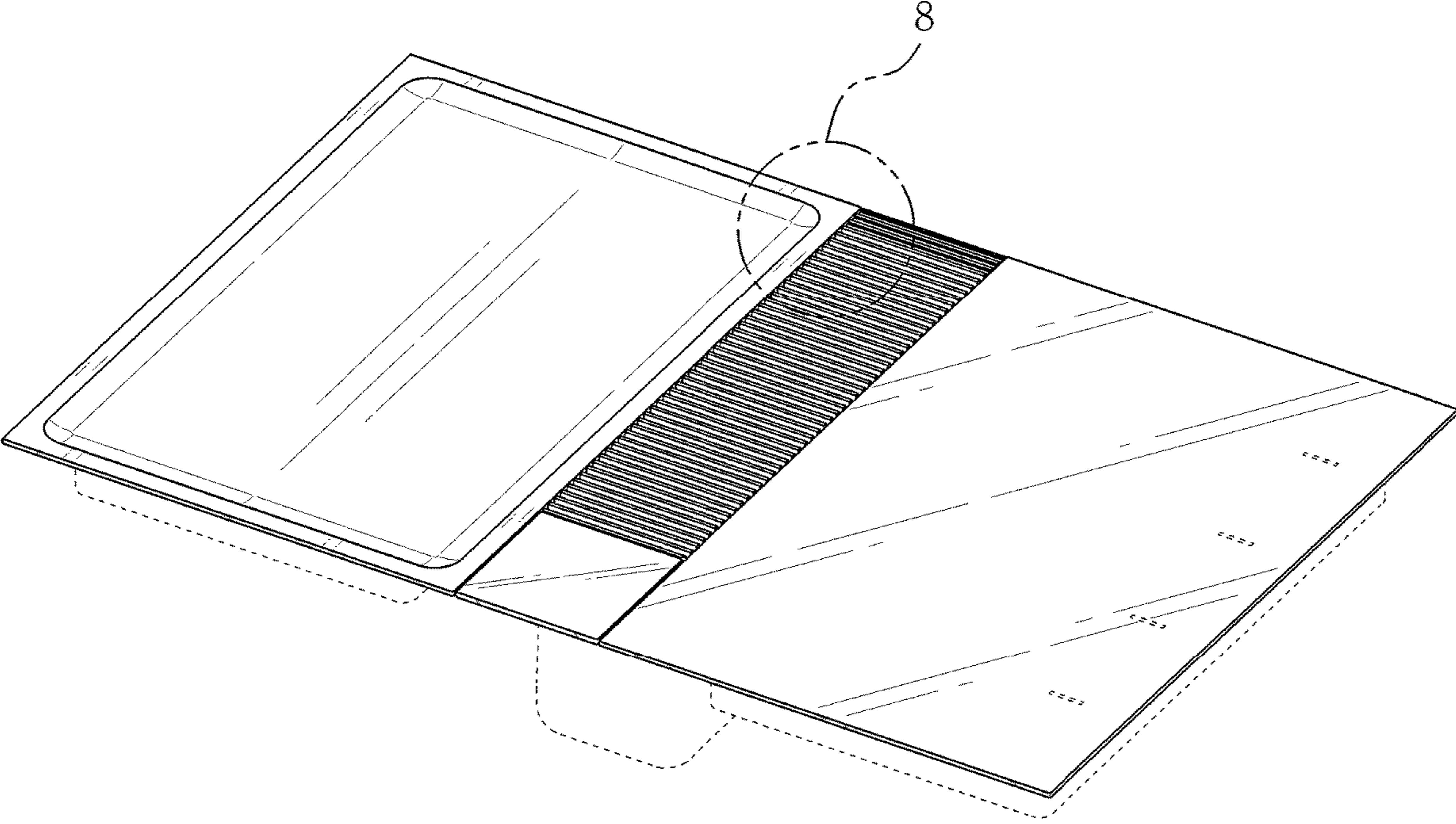


FIG. 2

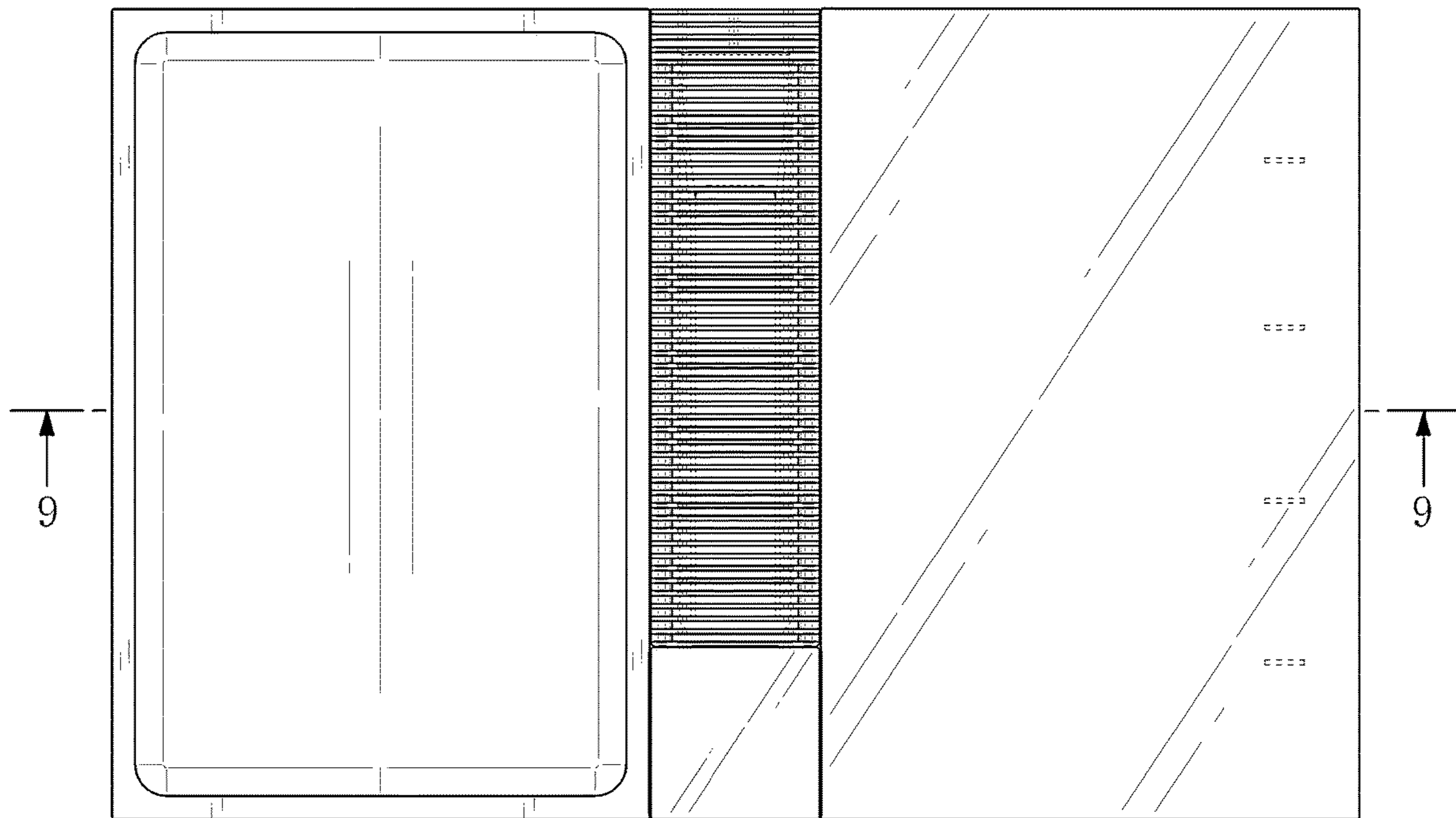




FIG. 3

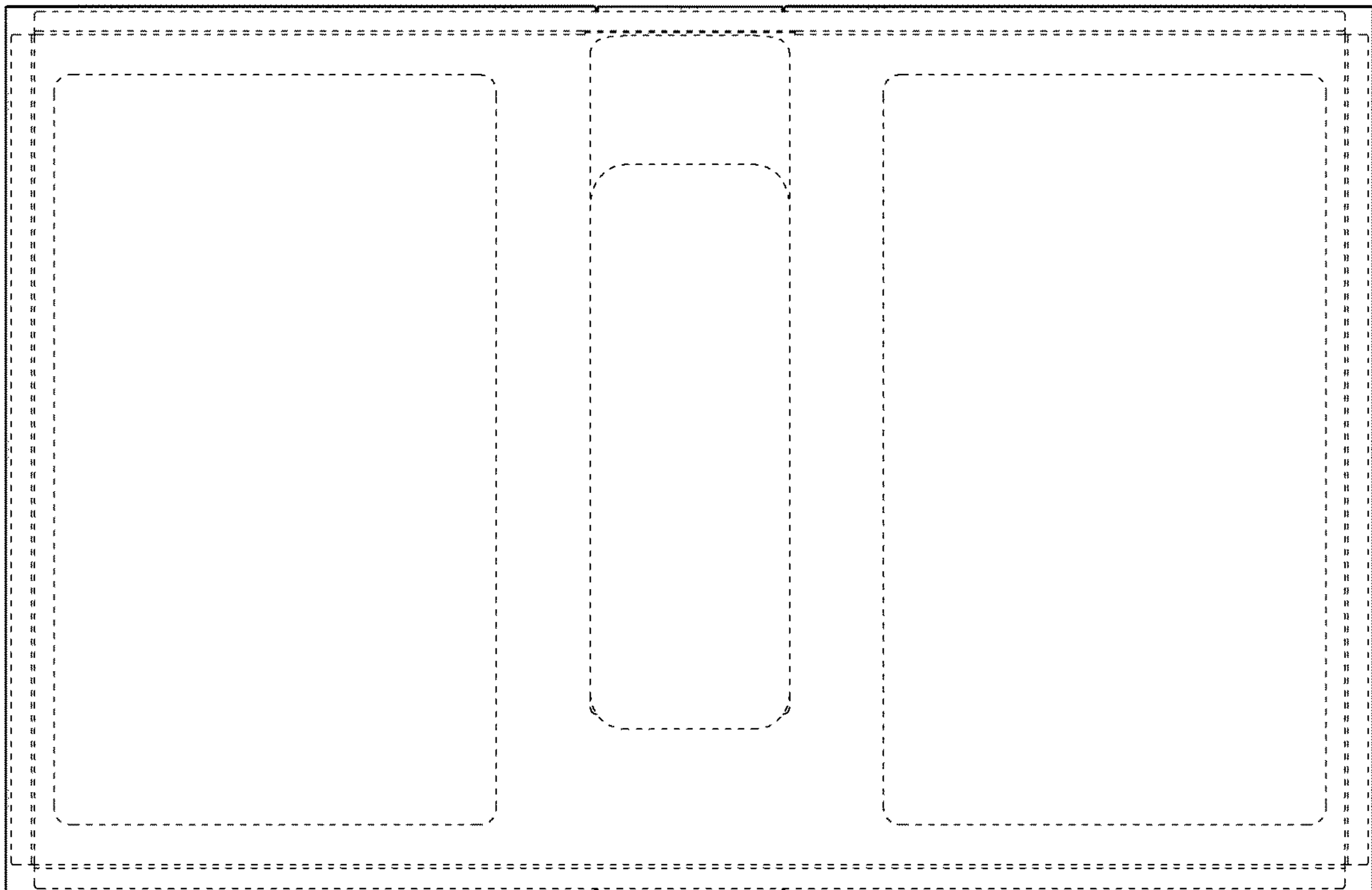


FIG. 4

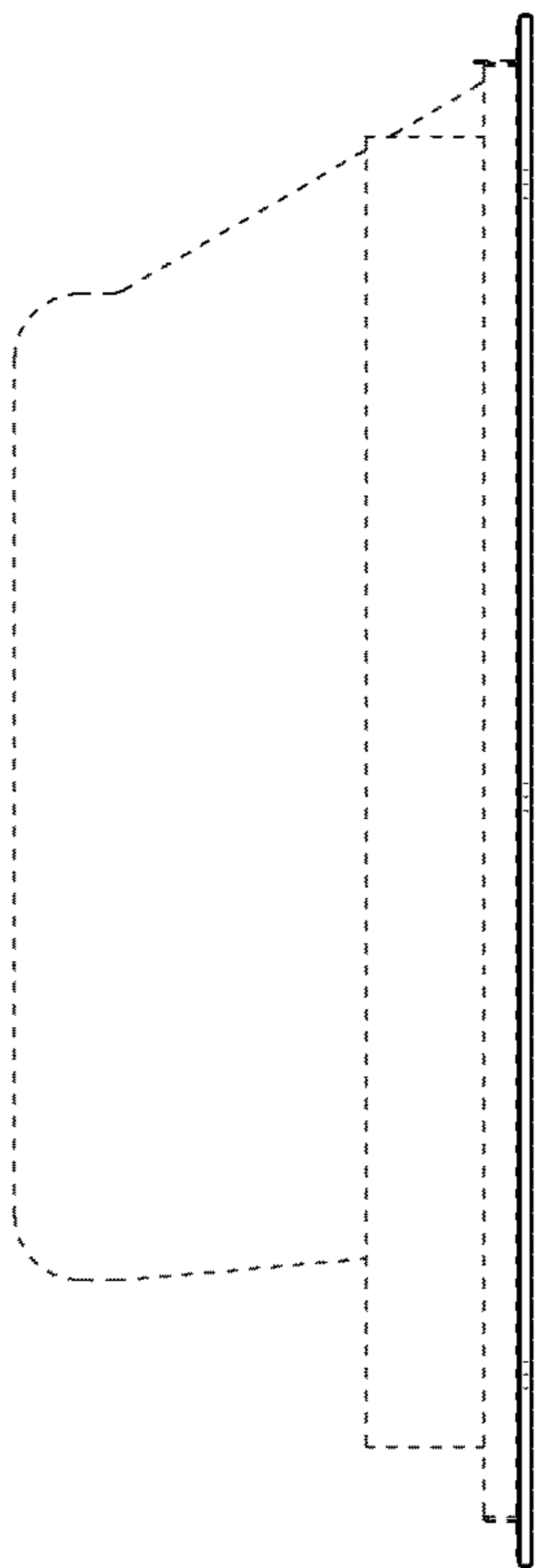


FIG. 5

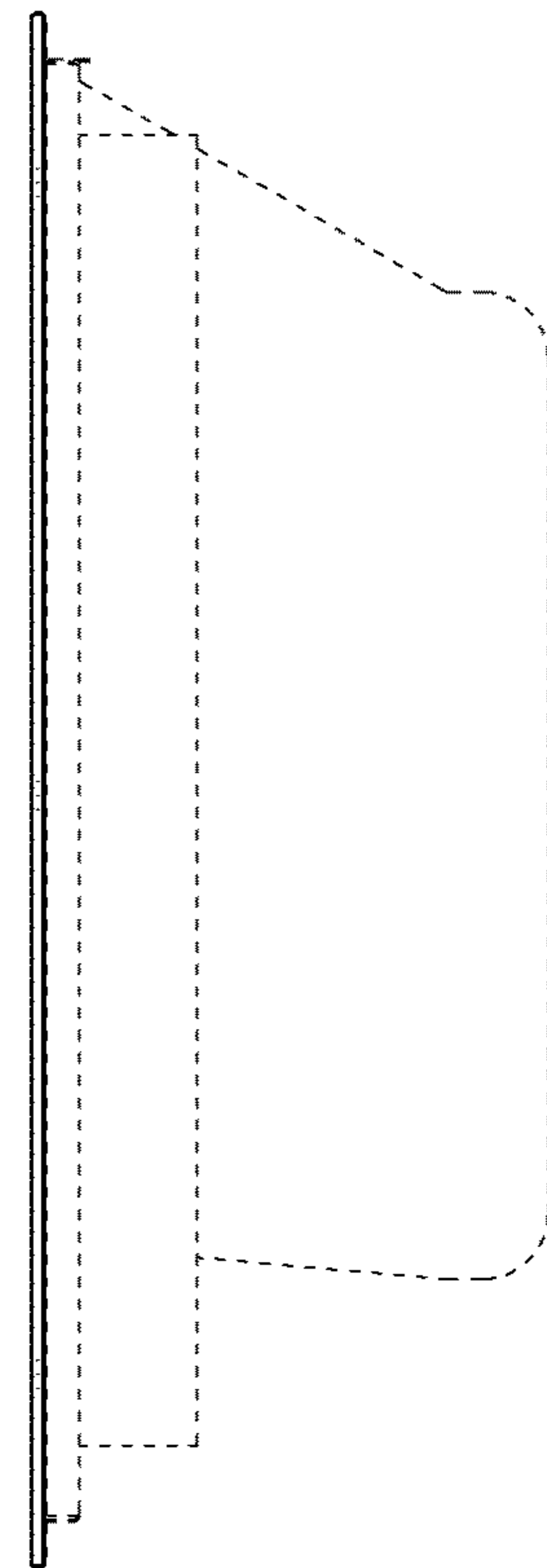


FIG. 6

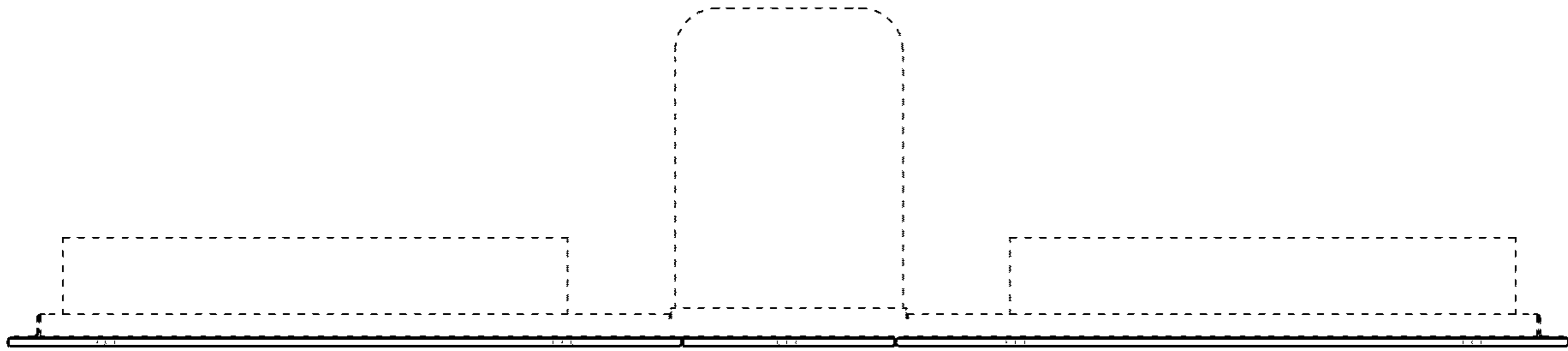


FIG. 7

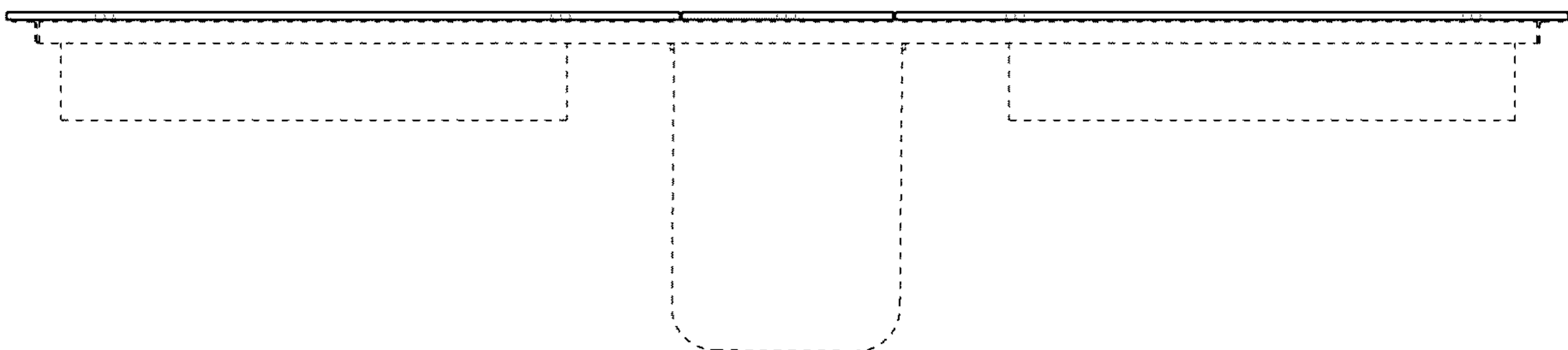


FIG. 8

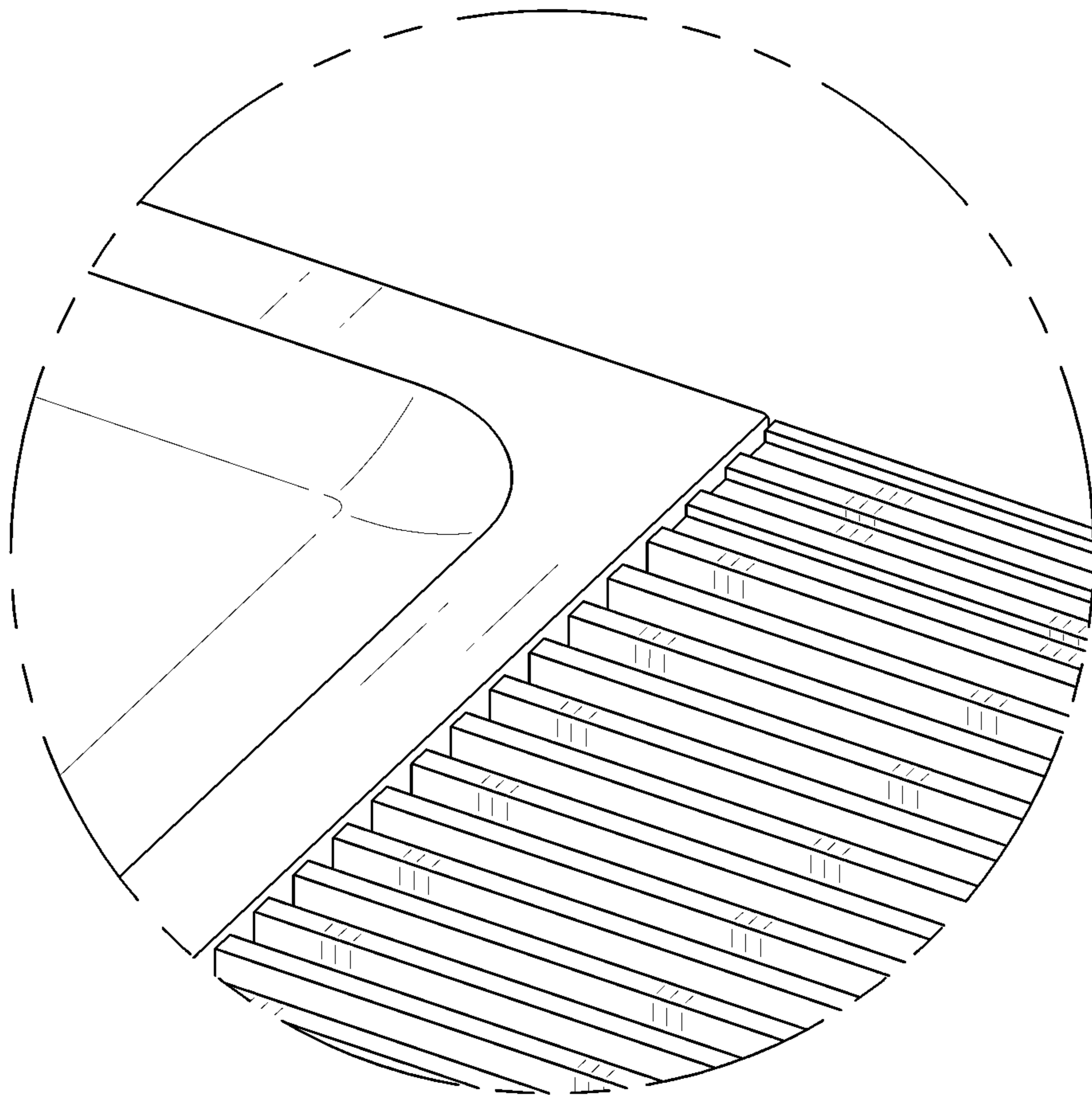




FIG. 9

