



US00D981779S

(12) **United States Design Patent**
Huang

(10) **Patent No.:** **US D981,779 S**
(45) **Date of Patent:** **** Mar. 28, 2023**

(54) **TENT STOVE**

(71) Applicant: **Shaoming Huang**, Nanchang (CN)

(72) Inventor: **Shaoming Huang**, Nanchang (CN)

(**) Term: **15 Years**

(21) Appl. No.: **29/838,122**

(22) Filed: **May 11, 2022**

Related U.S. Application Data

(63) Continuation-in-part of application No. 29/805,457, filed on Aug. 27, 2021.

(51) **LOC (14) Cl.** **07-02**

(52) **U.S. Cl.**

USPC **D7/339**; D23/343

(58) **Field of Classification Search**

USPC D7/323, 332, 334, 337, 339; D23/342, D23/343, 350

CPC . F24B 1/205; F24B 1/202; F24B 1/022; A47J 2037/0777; A47J 2037/0763; A47J 37/0704

See application file for complete search history.

(56) **References Cited**

U.S. PATENT DOCUMENTS

3,489,131	A *	1/1970	Richins	F24B 1/205 126/9 R
D769,667	S	10/2016	Ting		
D806,462	S *	1/2018	Zhang	D7/332
D920,027	S	5/2021	Harrell et al.		
D938,003	S *	12/2021	Ming	D23/343
D942,203	S *	2/2022	Jiang	D7/339
D942,796	S *	2/2022	Jiang	D7/339
D944,584	S *	3/2022	Jiang	D23/343
D950,297	S *	5/2022	Jiang	D7/337
D950,298	S *	5/2022	Yang	D7/339
D952,391	S *	5/2022	Yang	D7/339

D968,868	S *	11/2022	Xia	D23/343
2020/0378606	A1 *	12/2020	Lin	F24B 1/022
2022/0160166	A1 *	5/2022	Zhang	F24B 1/205

OTHER PUBLICATIONS

Winnerwell, Nomad View Medium Tent Stove, 2018, Amazon, <https://www.amazon.com/WINNERWELL-Portable-Precision-Stainless-Construction/dp/B0792V7HY7> (Year: 2018).*

MC Store, Titanium Tent Stove Wood Burning Stove, Dec. 9, 2021, Amazon, <https://www.amazon.com/MC-Titanium-Foldable-Ultralight-Backpacking/dp/B09NBSBPTF/>(Year: 2021).*

Pomoly, T1 Taisoca Titanium Oven Stove, Dec. 14, 2021, <https://www.pomoly.com/T1-TAISOCA-Titanium-Oven-Stove-%7C-Portable-Tent-Wood-Stove-with-Oven-%7C-New-Arrival-2021-p1807482.html> (Year: 2021).*

Pomoly, T1 Perspective Titanium Wood Stove for Hot Tent, Jun. 9, 2020, <https://www.pomoly.com/POMOLY-T1-Stove-PERSPECTIVE-Titanium-Wood-Stove-for-Hot-Tent-6-56ft-2m-or-9-84ft-3m-Chimney-Spark-Arrestor-p505863.html> (Year: 2020).*

(Continued)

Primary Examiner — Brett Miller

(57)

CLAIM

The ornamental design for a tent stove, as shown and described.

DESCRIPTION

FIG. 1 is a perspective view of a tent stove showing my new design;

FIG. 2 is a front elevational view thereof;

FIG. 3 is a rear elevational view thereof;

FIG. 4 is a left side elevational view thereof;

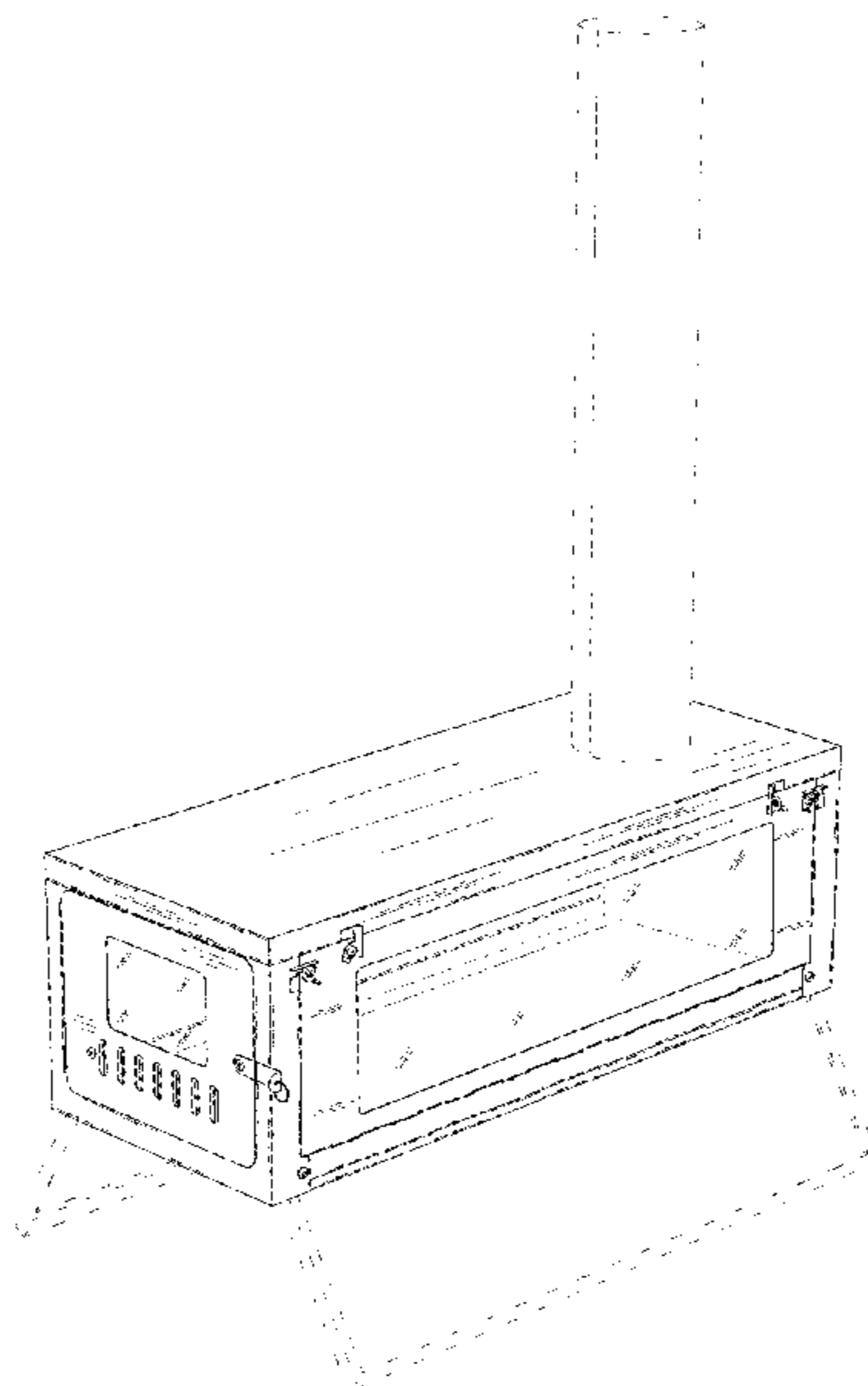
FIG. 5 is a right side elevational view thereof;

FIG. 6 is a top plan view thereof; and,

FIG. 7 is a bottom plan view thereof.

The broken lines in the drawings depict portions of the tent stove that form no part of the claimed design.

1 Claim, 7 Drawing Sheets



(56)

References Cited

OTHER PUBLICATIONS

Change Moore, Fastfold Hot Tent Stove, May 18, 2020, Amazon, <https://www.amazon.com/Fastfold-Reinforced-Portable-Secondary-Combustion/dp/B09PMT8Y51> (Year: 2020).*

Pomoly, Timber Wolf 3, Apr. 1, 2021, <https://www.pomoly.com/Timber-Wolf-3-%7C-Portable-Titanium-Stove-%7C-Solo-Buchcraft-and-Hot-Tent-Camping-%7C-Lonewolf-902-Signature-p1581745.html> (Year: 2021).*

Danchel Outdoor, Portable Hot Tent Wood Burning Stove, Oct. 1, 2021, Amazon, <https://www.amazon.com/DANCHEL-OUTDOOR-Stainless-Portable-Backpacking/dp/B09LCLS9GZ> (Year: 2021).*

* cited by examiner

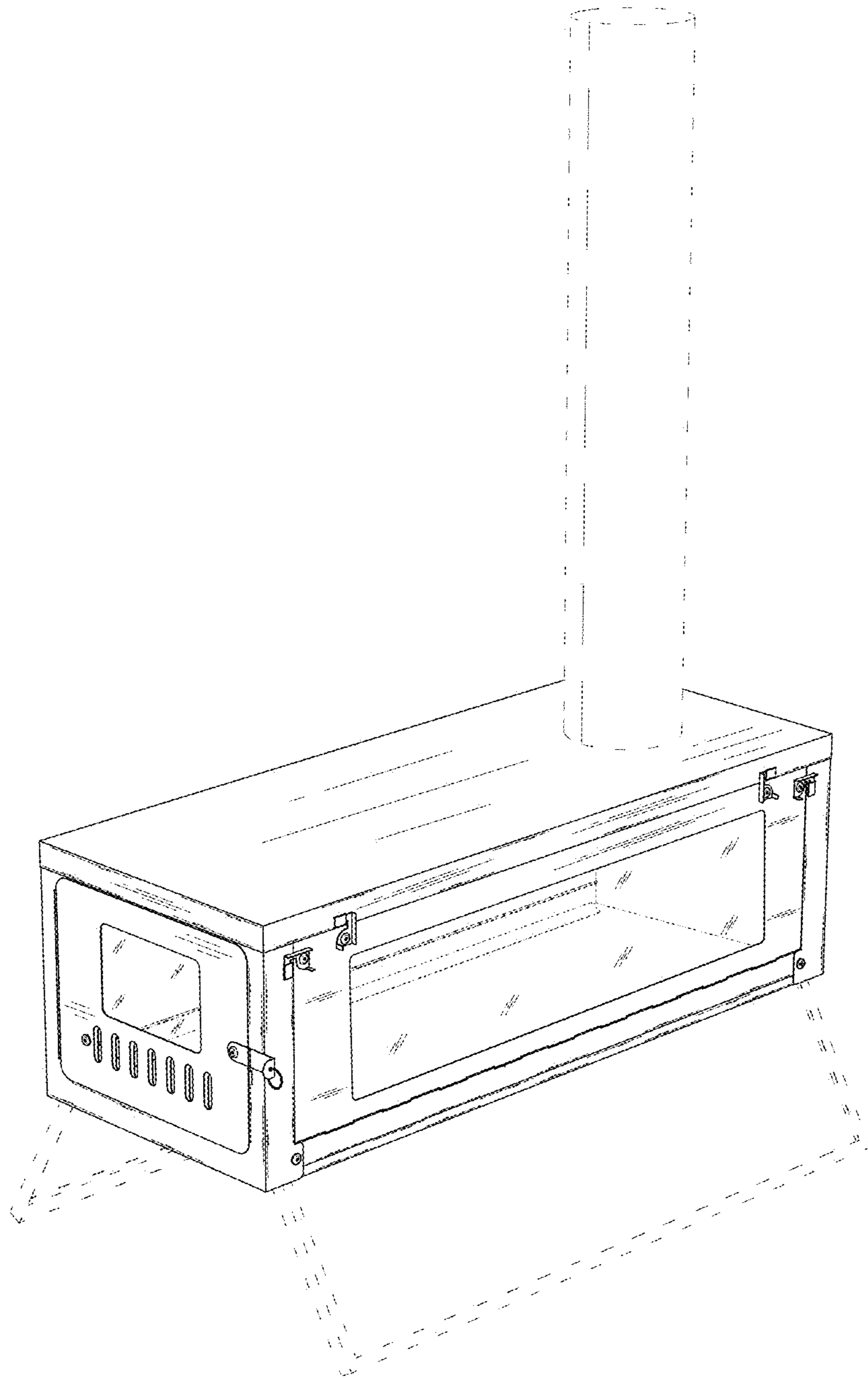


FIG. 1

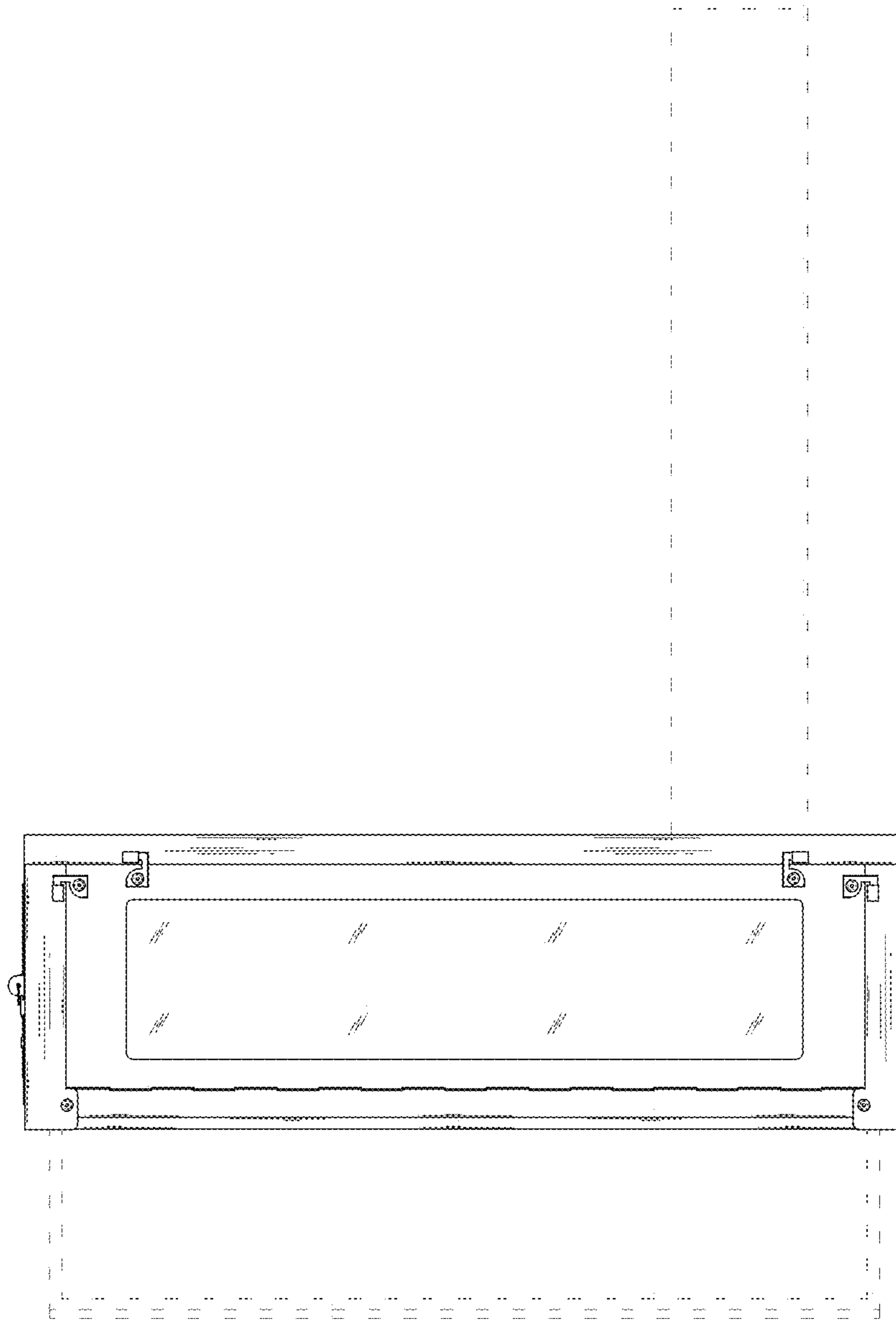


FIG. 2

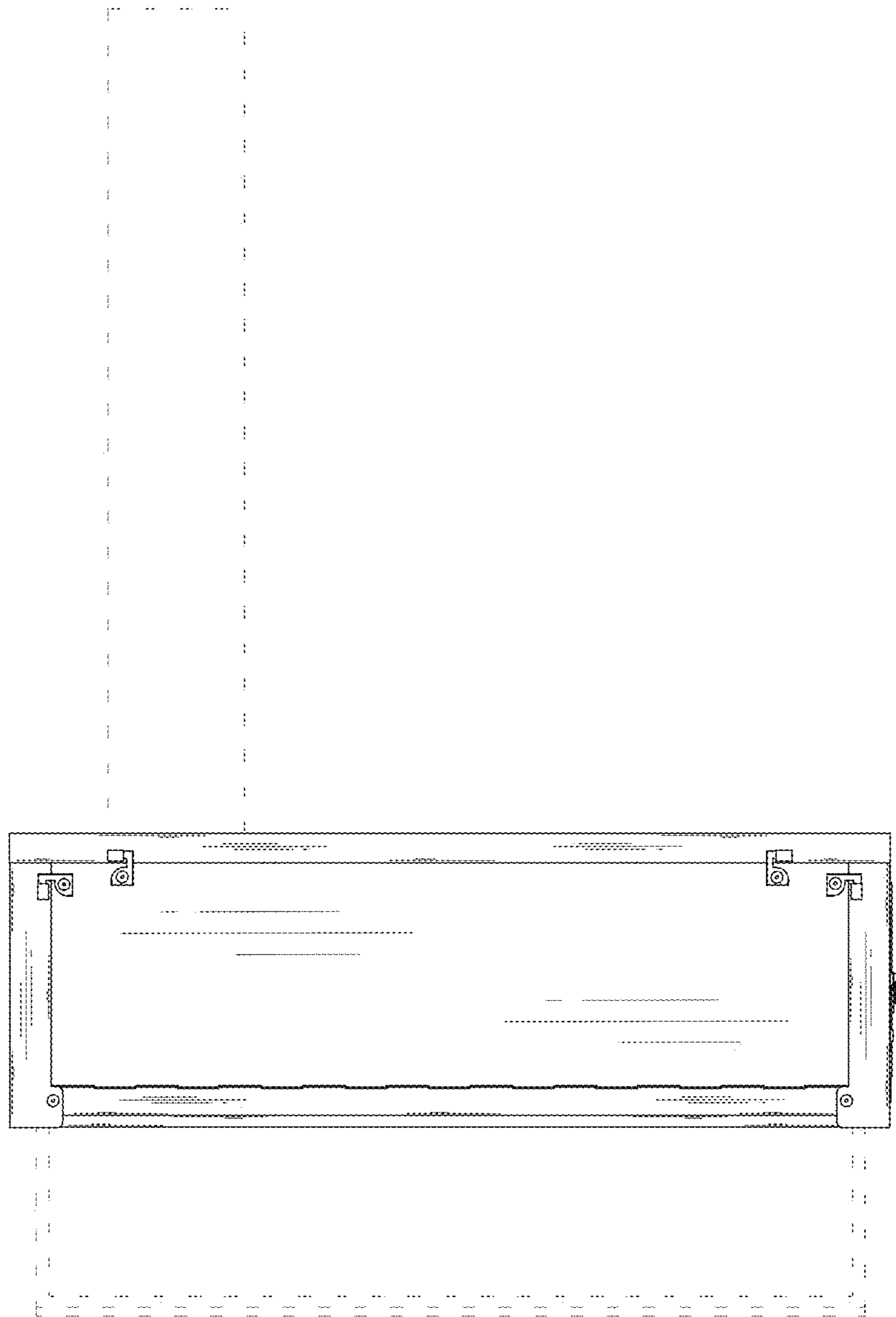


FIG. 3

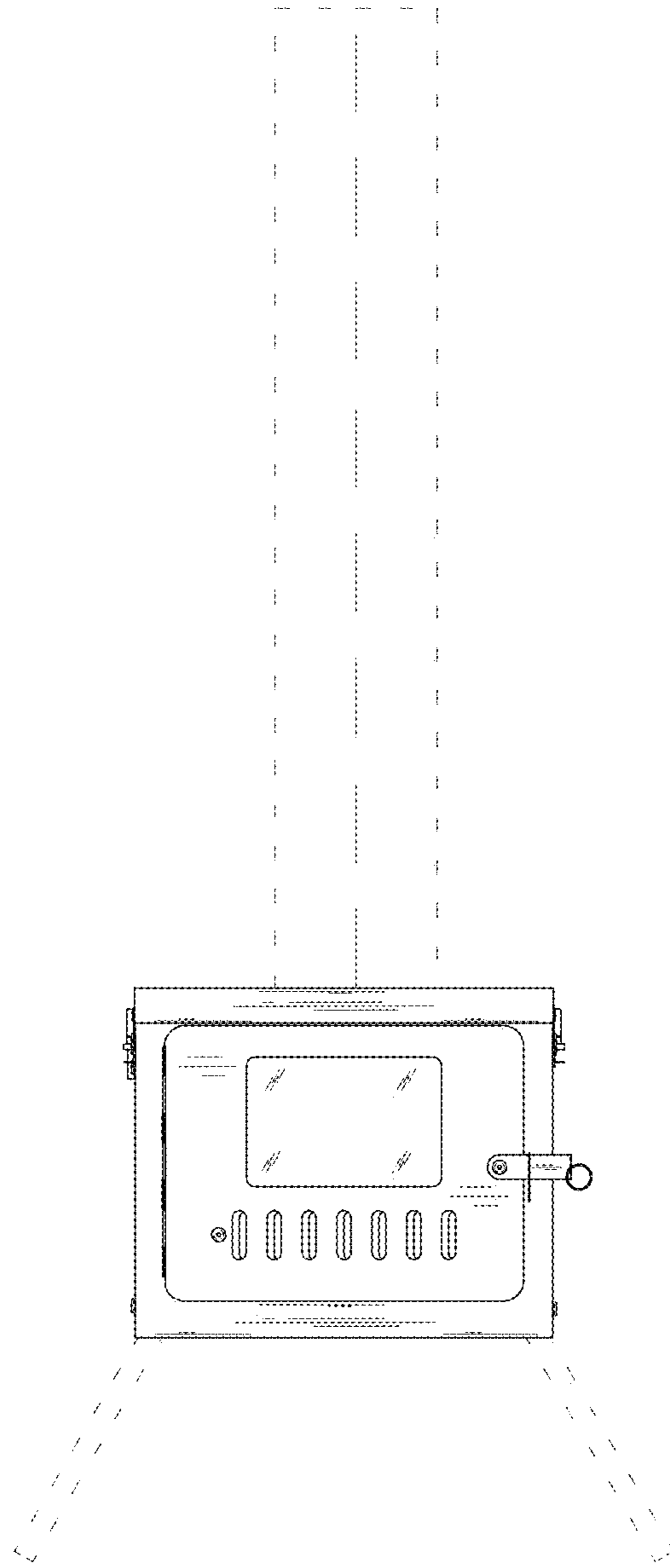


FIG. 4

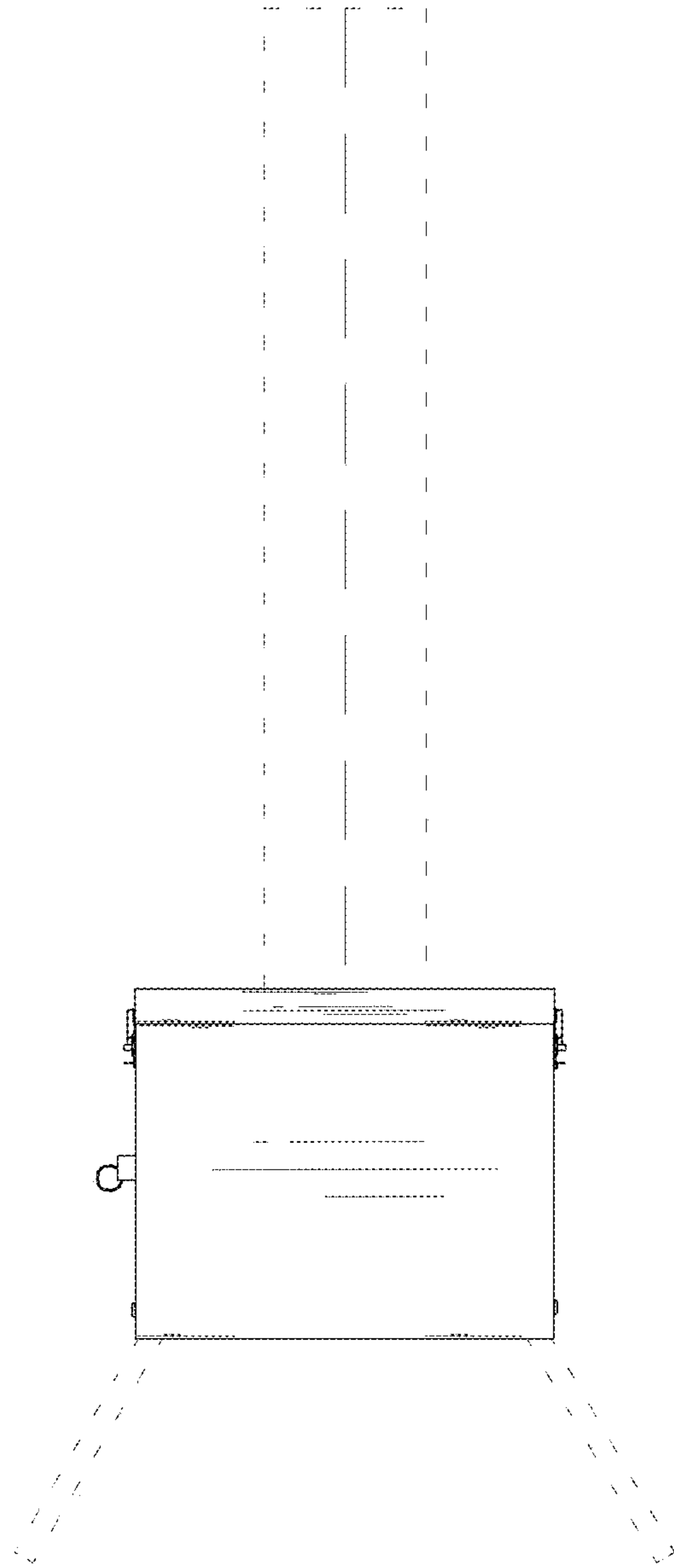


FIG. 5

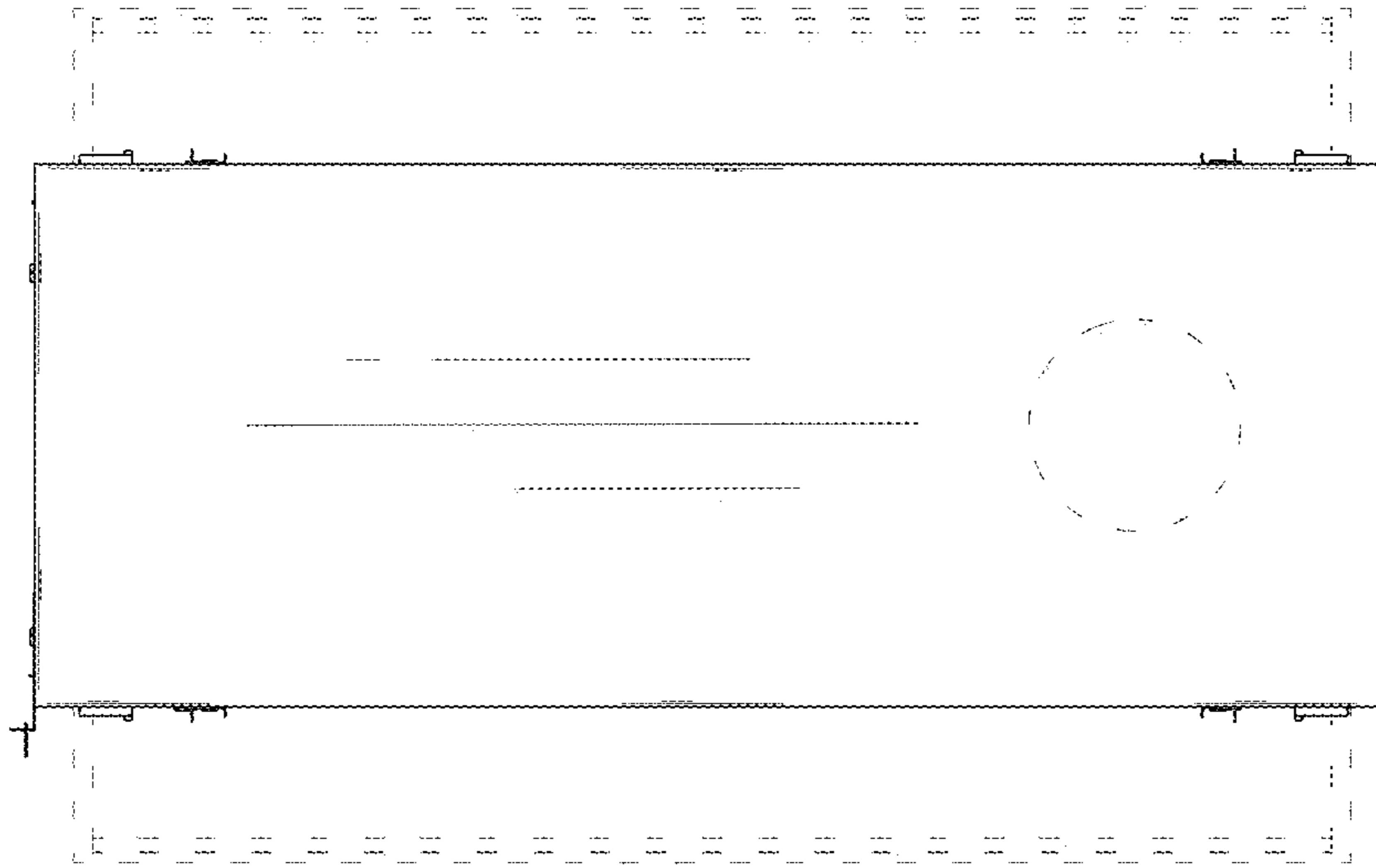


FIG. 6

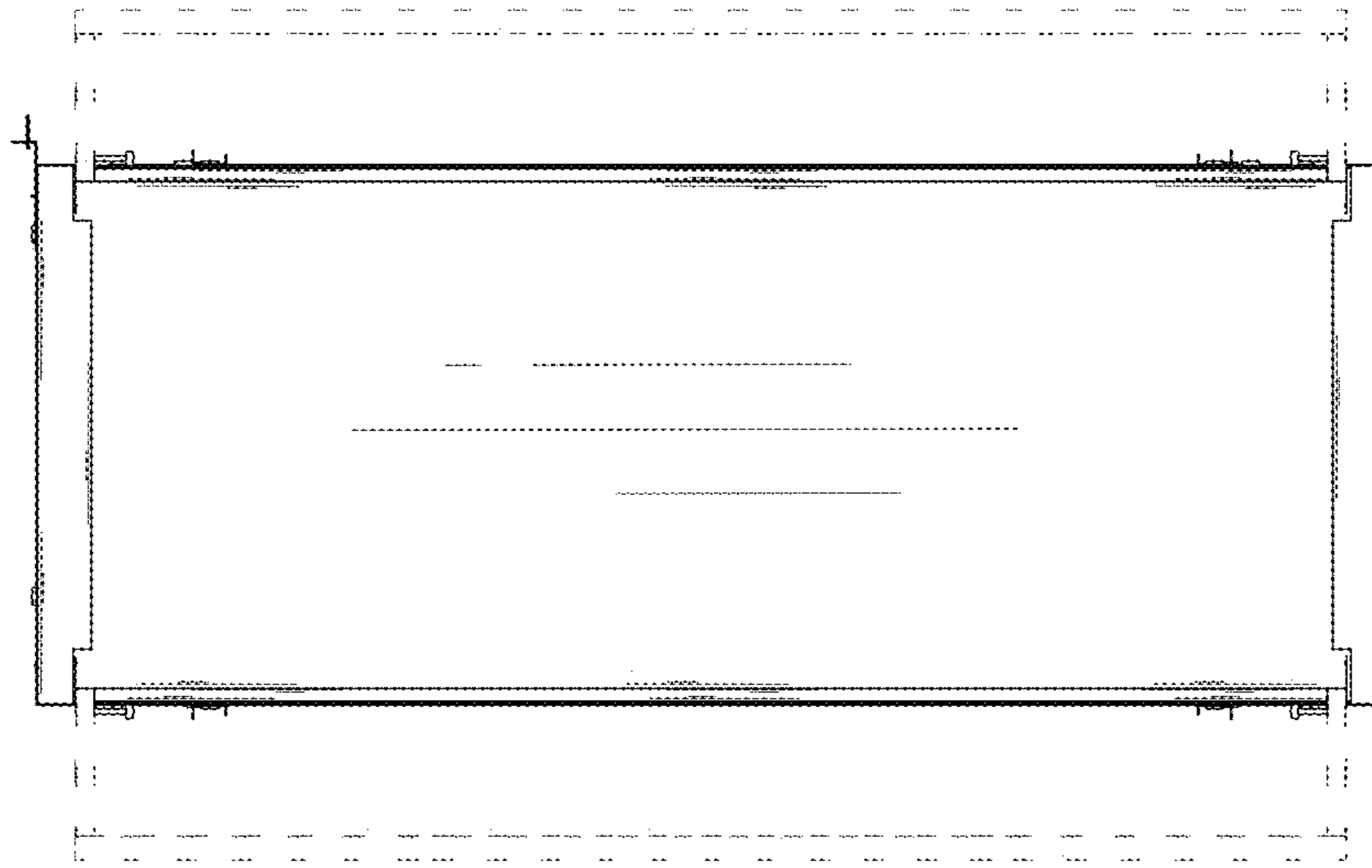


FIG. 7