



US00D981778S

(12) **United States Design Patent**
Carter

(10) **Patent No.:** **US D981,778 S**
(45) **Date of Patent:** **** Mar. 28, 2023**

(54) **RECLINING HOME THEATER SEAT**

(71) Applicant: **eMoMo Technology Co., Ltd.**, Baoan (CN)

(72) Inventor: **Mitchell Todd Carter**, Ormond Beach, FL (US)

(73) Assignee: **eMoMo Technology Co., Ltd.**, Baoan (CN)

(**) Term: **15 Years**

(21) Appl. No.: **29/688,944**

(22) Filed: **Apr. 25, 2019**

(51) **LOC (14) Cl.** **06-01**

(52) **U.S. Cl.**
USPC **D6/716.2**

(58) **Field of Classification Search**
USPC D6/334, 349, 357, 364, 365, 366, 367,
D6/368, 369, 374, 375, 379, 381, 708.16,
D6/716.1, 716.4, 716.7, 716.2
(Continued)

(56) **References Cited**

U.S. PATENT DOCUMENTS

D260,823 S 9/1981 Stulik, Jr.
D442,375 S 5/2001 Stammberger
(Continued)

Primary Examiner — R. Johnson

(74) *Attorney, Agent, or Firm* — Moyles IP, LLC

(57) **CLAIM**

The ornamental design for a reclining home theater seat, as shown and described.

DESCRIPTION

FIG. 1 is a top perspective view of a reclining home theater seat in an upright position with arm compartments closed, showing my new design;

FIG. 2 is a left side view of the reclining home theater seat as shown in FIG. 1;

FIG. 3 is a right side view of the reclining home theater seat as shown in FIG. 1;

FIG. 4 is a front view of the reclining home theater seat as shown in FIG. 1;

FIG. 5 is a rear view of the reclining home theater seat as shown in FIG. 1;

FIG. 6 is a top plan view of the reclining home theater seat as shown in FIG. 1;

FIG. 7 is a top perspective view of the reclining home theater seat in an upright position with arm compartments open;

FIG. 8 is a left side view of the reclining home theater seat as shown in FIG. 7;

FIG. 9 is a right side view of the reclining home theater seat as shown in FIG. 7;

FIG. 10 is a front view of the reclining home theater seat as shown in FIG. 7;

FIG. 11 is a rear view of the reclining home theater seat as shown in FIG. 7;

FIG. 12 is a top plan view of the reclining home theater seat as shown in FIG. 7;

FIG. 13 is a bottom plan view of the reclining home theater seat as shown in each of FIG. 1 and FIG. 7;

FIG. 14 is a top perspective view of the reclining home theater seat in a reclined position with arm compartments closed;

FIG. 15 is a left side view of the reclining home theater seat as shown in FIG. 14;

FIG. 16 is a right side view of the reclining home theater seat as shown in FIG. 14;

FIG. 17 is a front view of the reclining home theater seat as shown in FIG. 14;

FIG. 18 is a rear view of the reclining home theater seat as shown in FIG. 14;

FIG. 19 is a top plan view of the reclining home theater seat as shown in FIG. 14;

FIG. 20 is a top perspective view of the reclining home theater seat in a reclined position with arm compartments open;

FIG. 21 is a left side view of the reclining home theater seat as shown in FIG. 20;

FIG. 22 is a right side view of the reclining home theater seat as shown in FIG. 20;

(Continued)

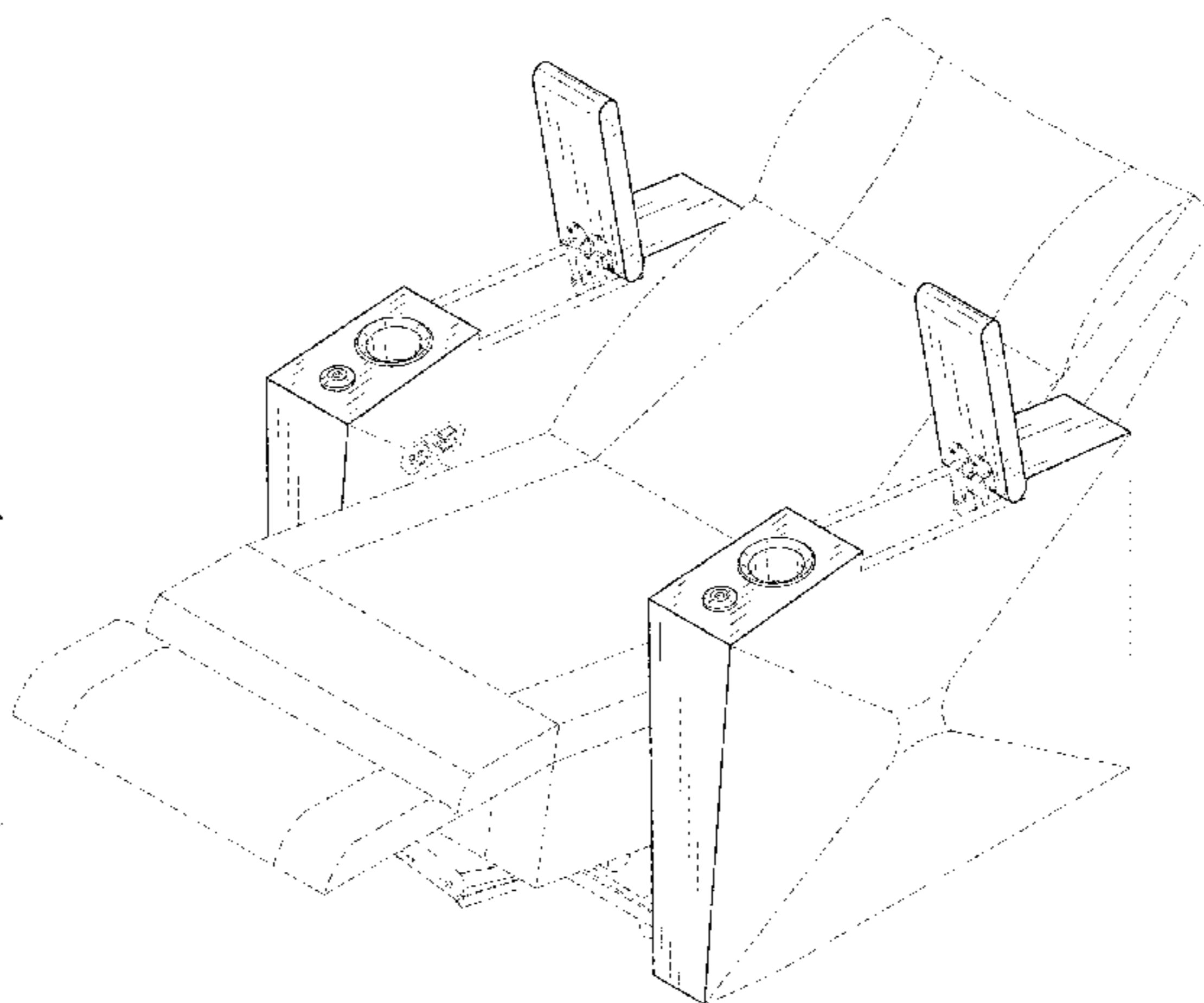
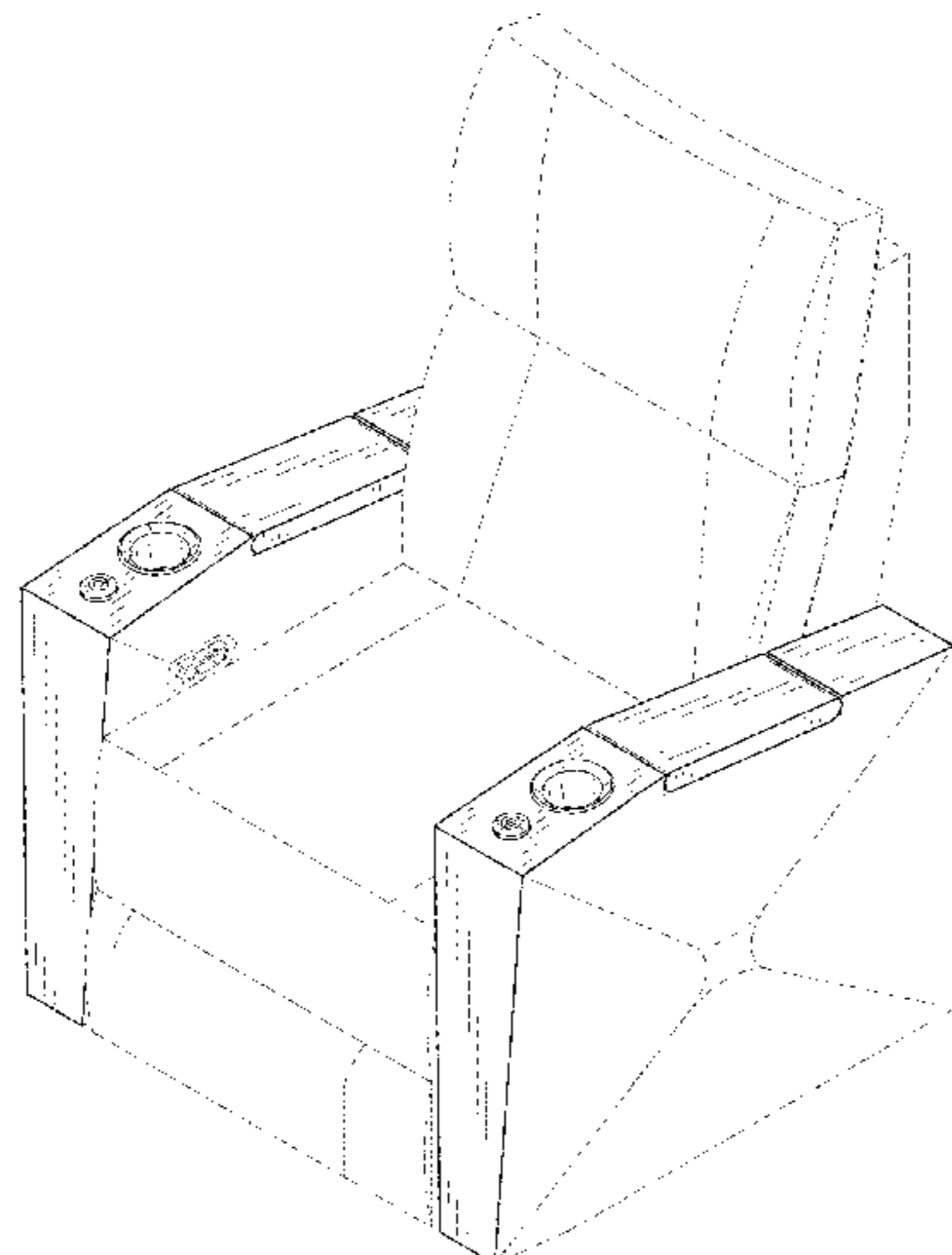


FIG. 23 is a front view of the reclining home theater seat as shown in FIG. 20;
 FIG. 24 is a rear view of the reclining home theater seat as shown in FIG. 20;
 FIG. 25 is a top plan view of the reclining home theater seat as shown in FIG. 20; and,
 FIG. 26 is a bottom plan view of the reclining home theater seat as shown in each of FIG. 14 and FIG. 20.
 The broken line portions form no part of the claimed design.

1 Claim, 26 Drawing Sheets

(58) **Field of Classification Search**

CPC A47C 3/12; A47C 3/18; A47C 3/20; A47C 3/26; A47C 5/02; A47C 5/10; A47C 7/24; A47C 7/36; A47C 7/46; A47C 7/18; A47C 7/40; A47C 1/03255; A47C 4/42; A47C 4/44; A47C 11/00; A47C 11/05

See application file for complete search history.

(56)

References Cited

U.S. PATENT DOCUMENTS

D448,580	S	10/2001	Carlson	
D455,018	S	4/2002	Myers et al.	
D535,484	S	1/2007	May	
D541,064	S	4/2007	Miller et al.	
D551,869	S *	10/2007	Zambelli	D6/367
D572,916	S	7/2008	Galardo et al.	
D580,664	S	11/2008	Cramer et al.	
D622,516	S	8/2010	Delmestri	
7,766,293	B2	8/2010	Seidi et al.	
D654,708	S	2/2012	Figueras Mitjans	
D699,043	S *	2/2014	McNae	D6/335
D716,564	S	11/2014	Dix	
D723,829	S	3/2015	Dix	
D726,469	S	4/2015	Dix	
D740,575	S	10/2015	Scott	
D760,504	S *	7/2016	Dix	D6/334
D804,210	S	12/2017	Borras Pons	
9,895,000	B2	2/2018	Hassman	
D818,282	S	5/2018	Li	
D883,685	S *	5/2020	Carter	D6/336

* cited by examiner

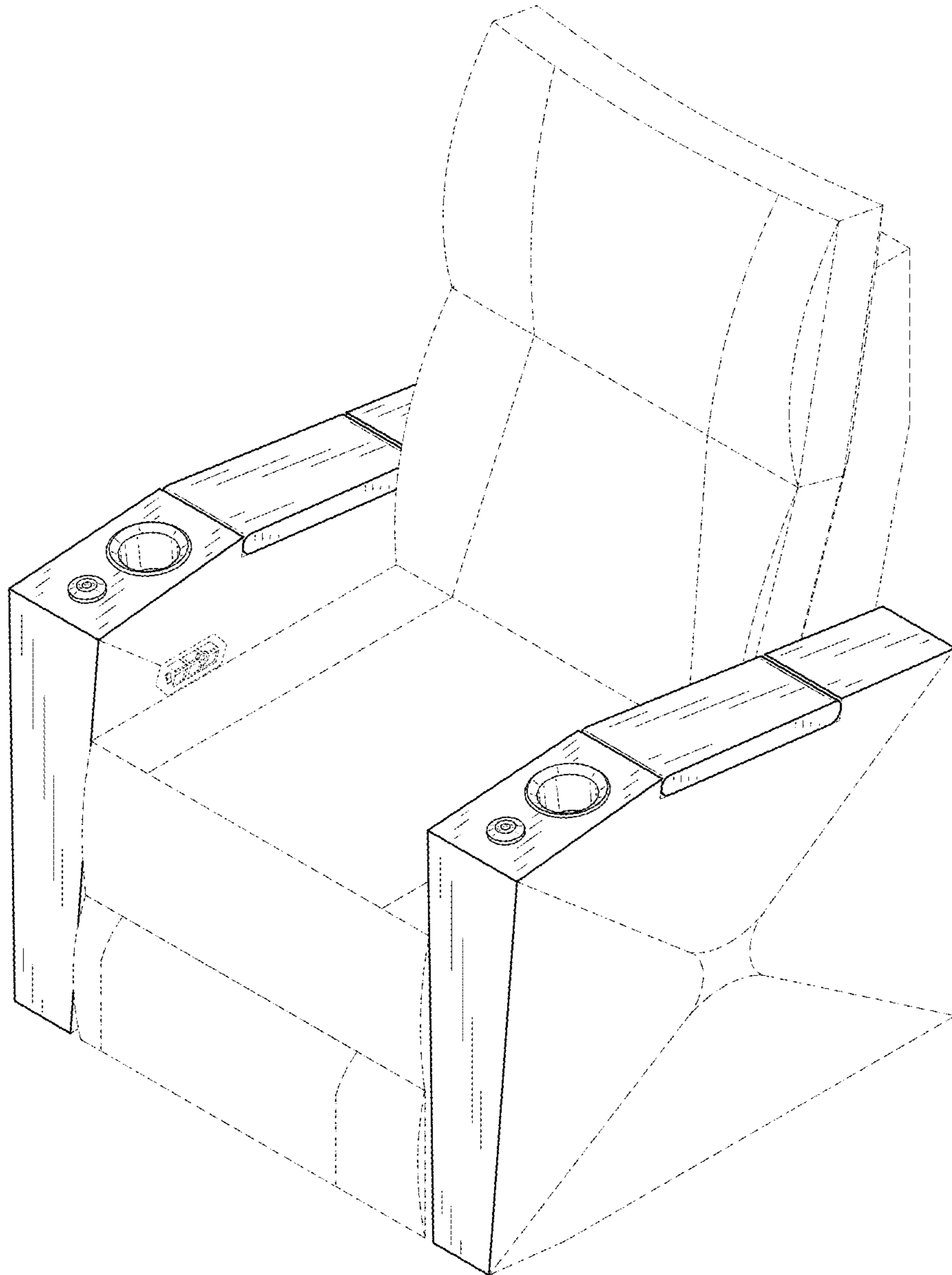


FIG. 1

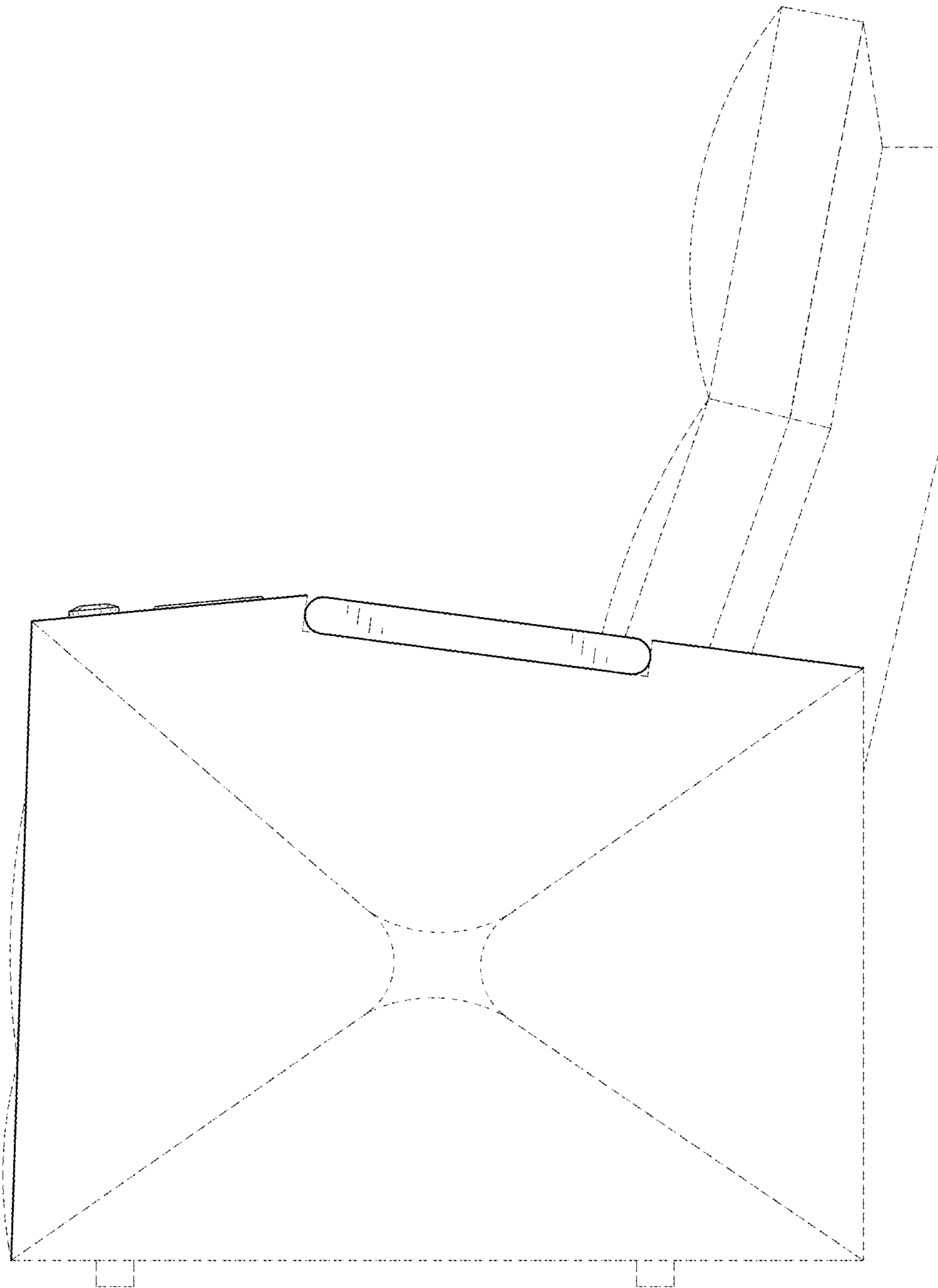


FIG. 2

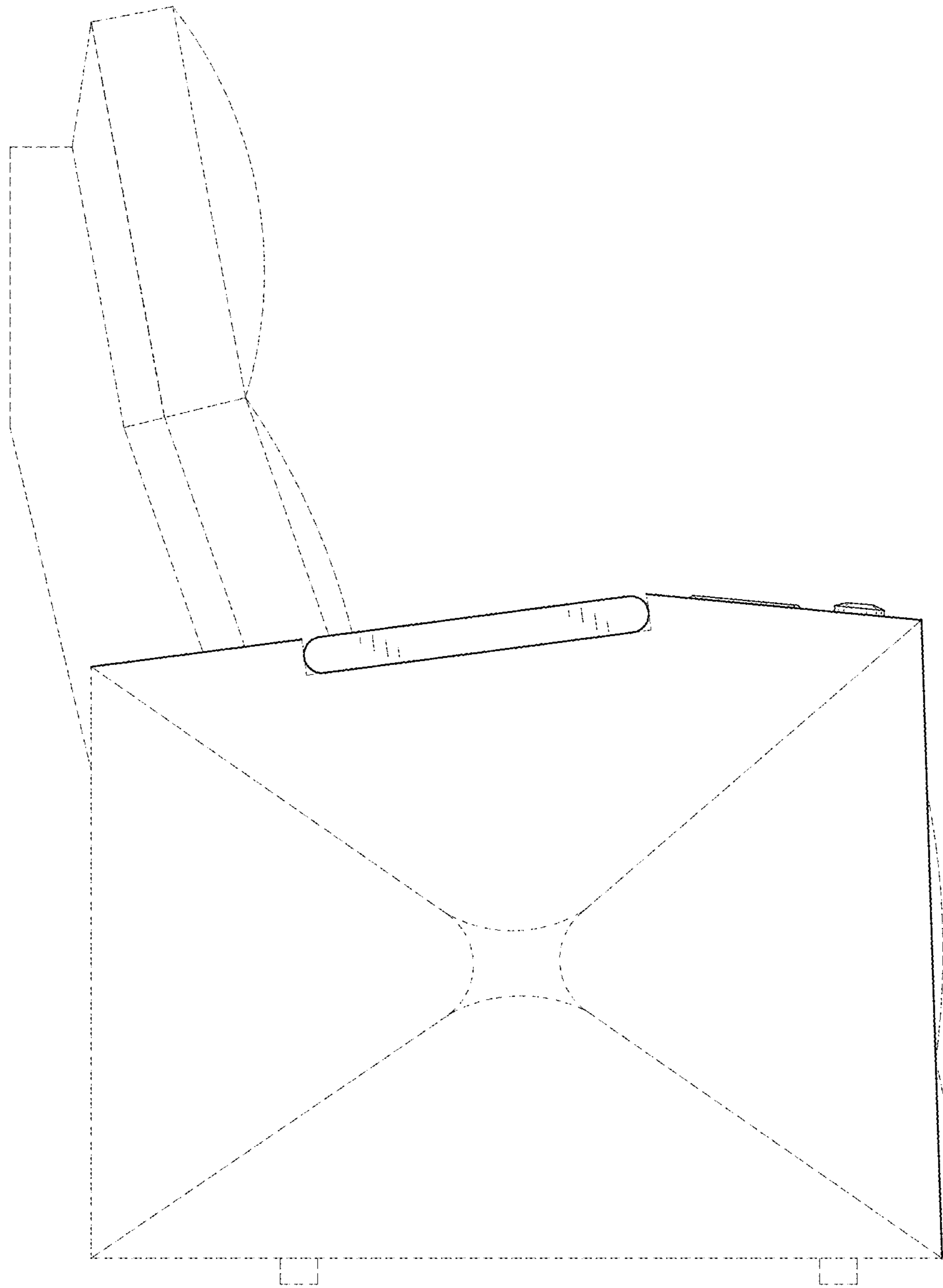


FIG. 3

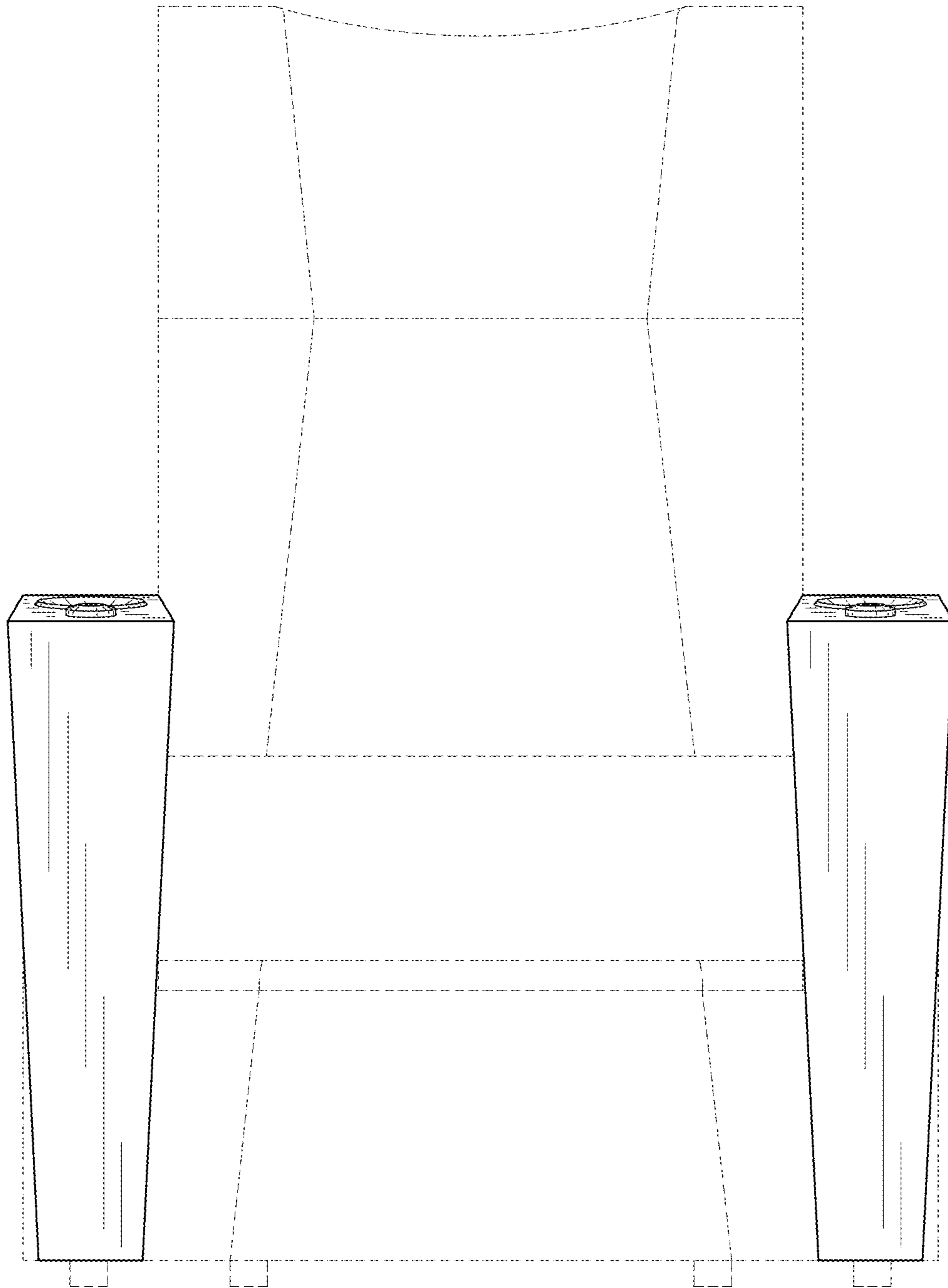


FIG. 4

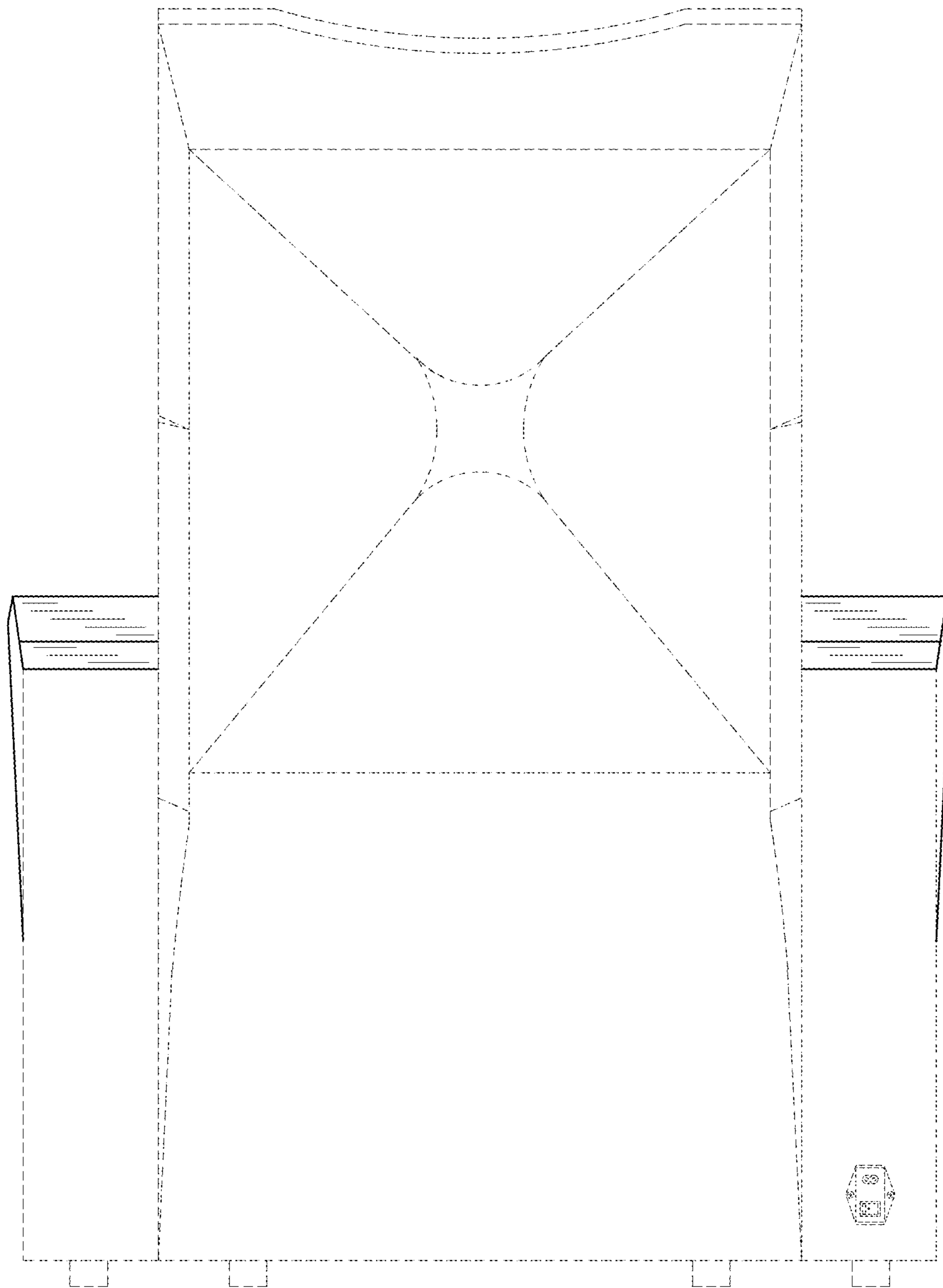


FIG. 5

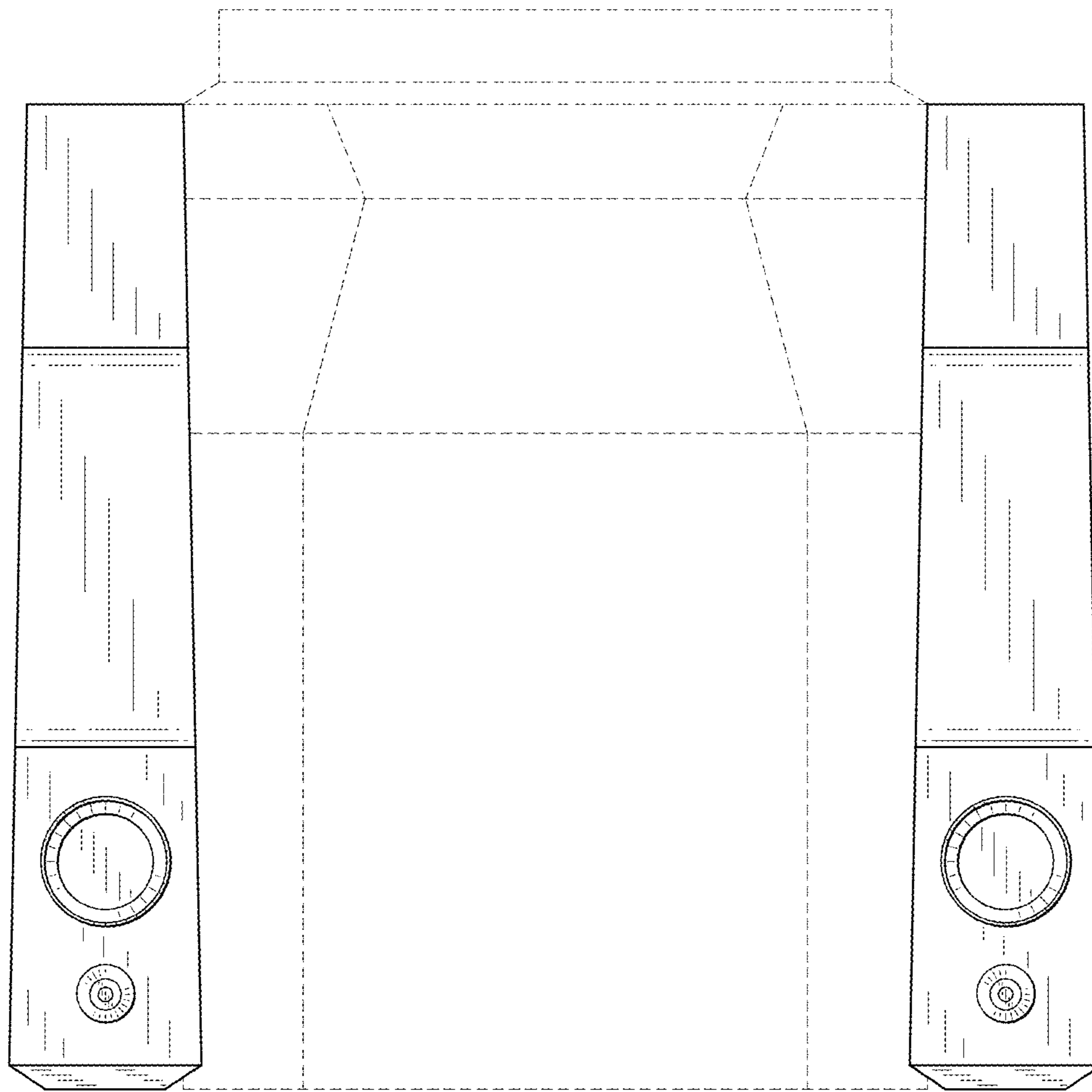


FIG. 6

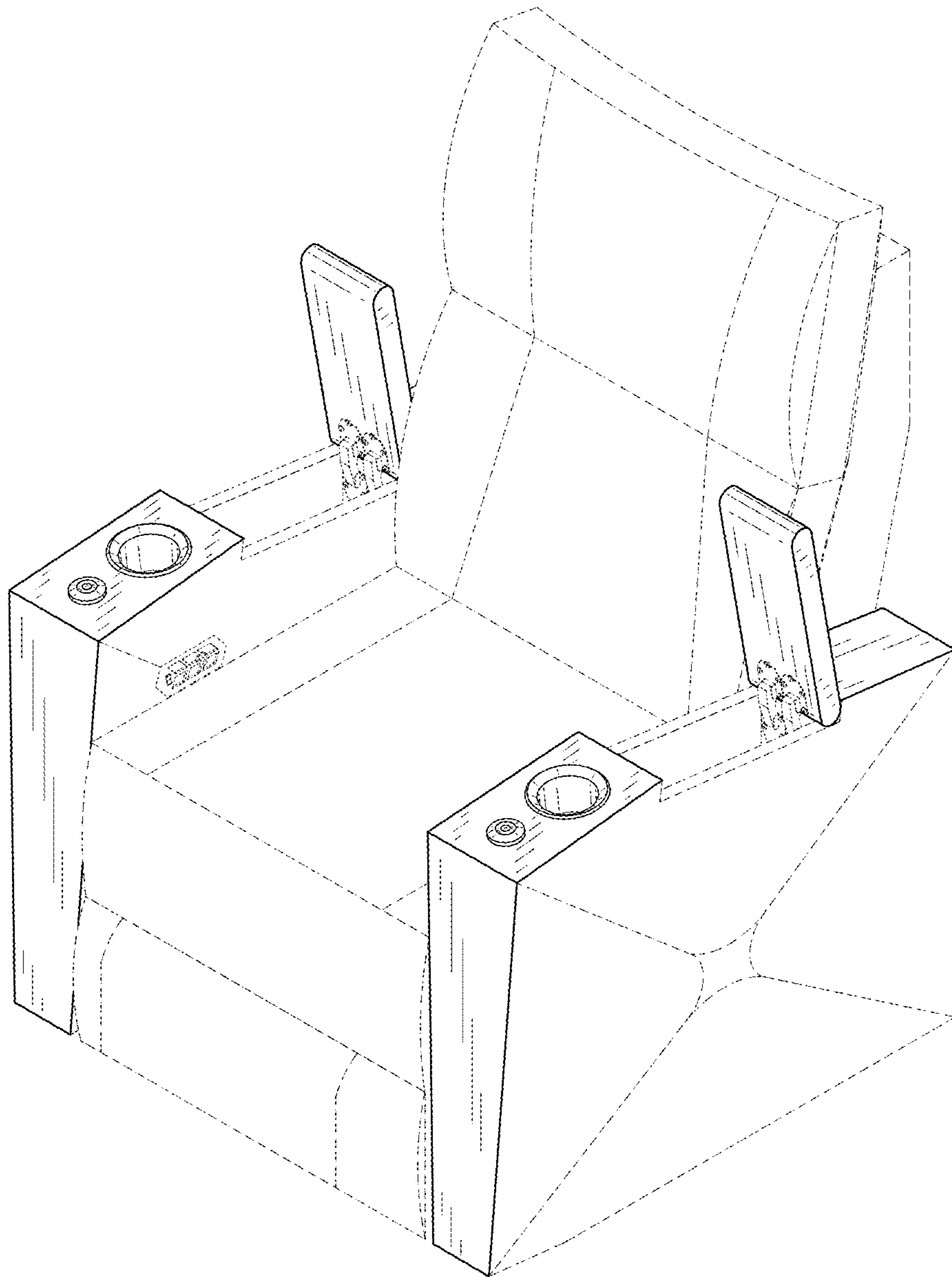


FIG. 7

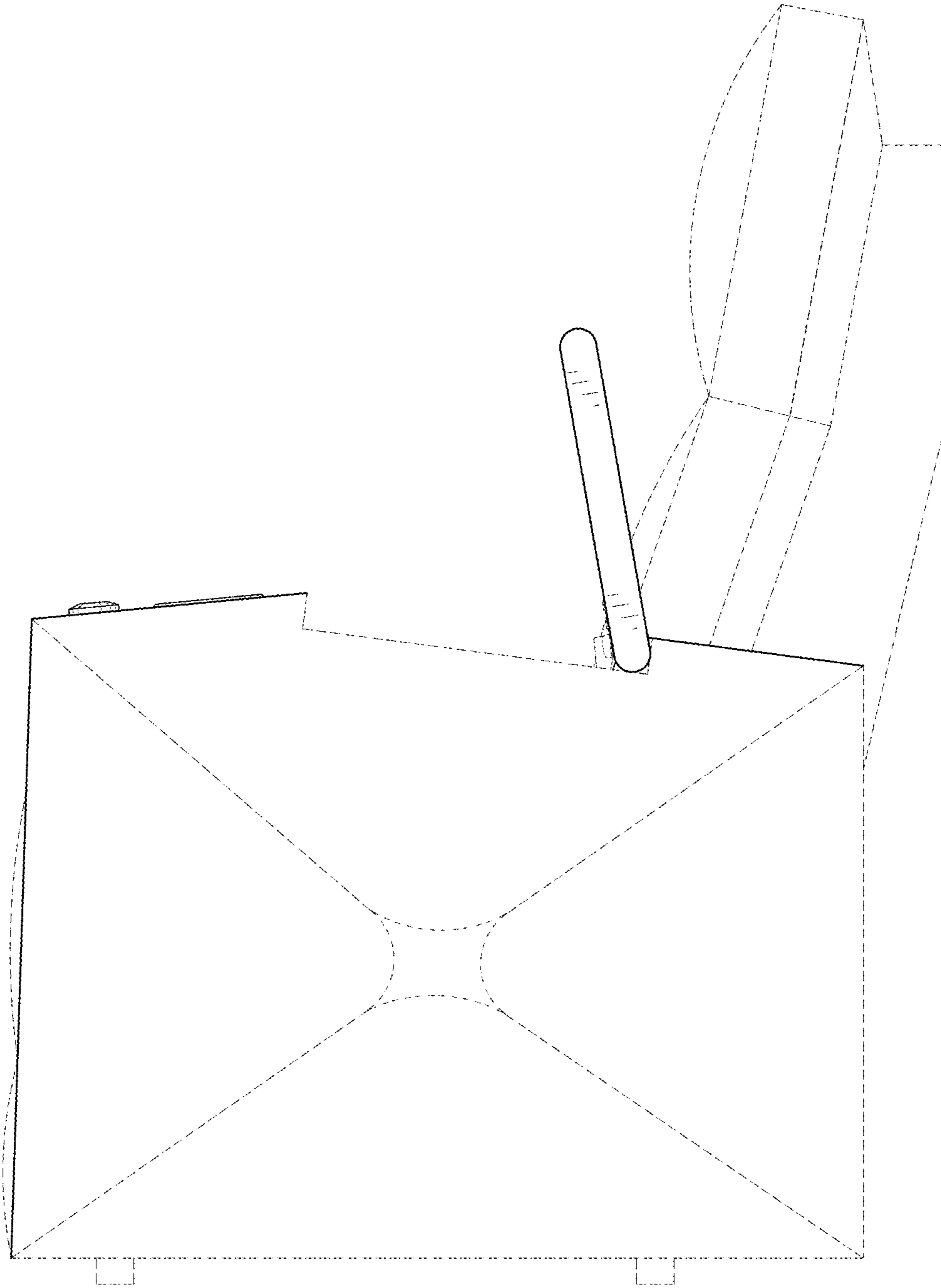


FIG. 8

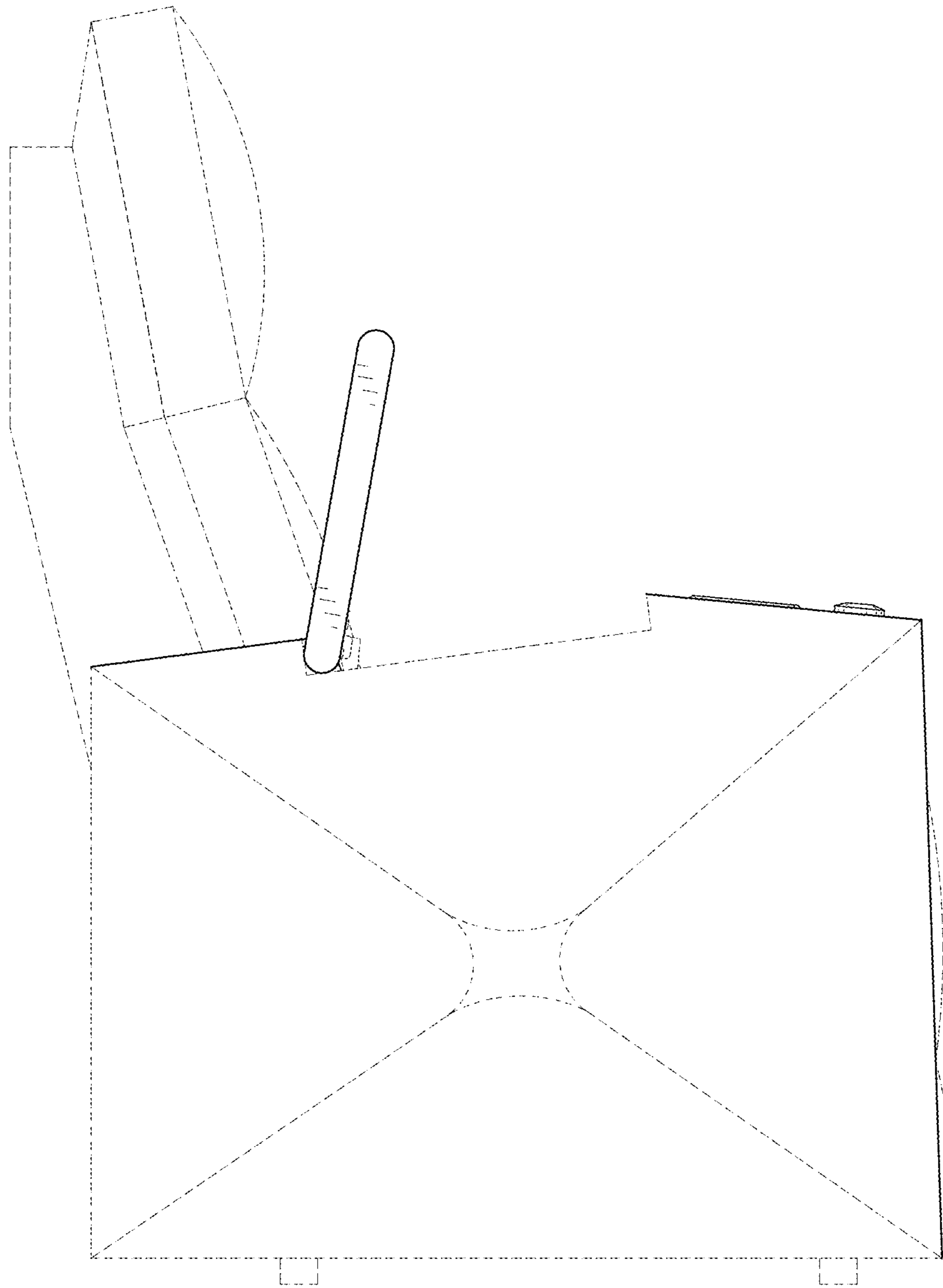


FIG. 9

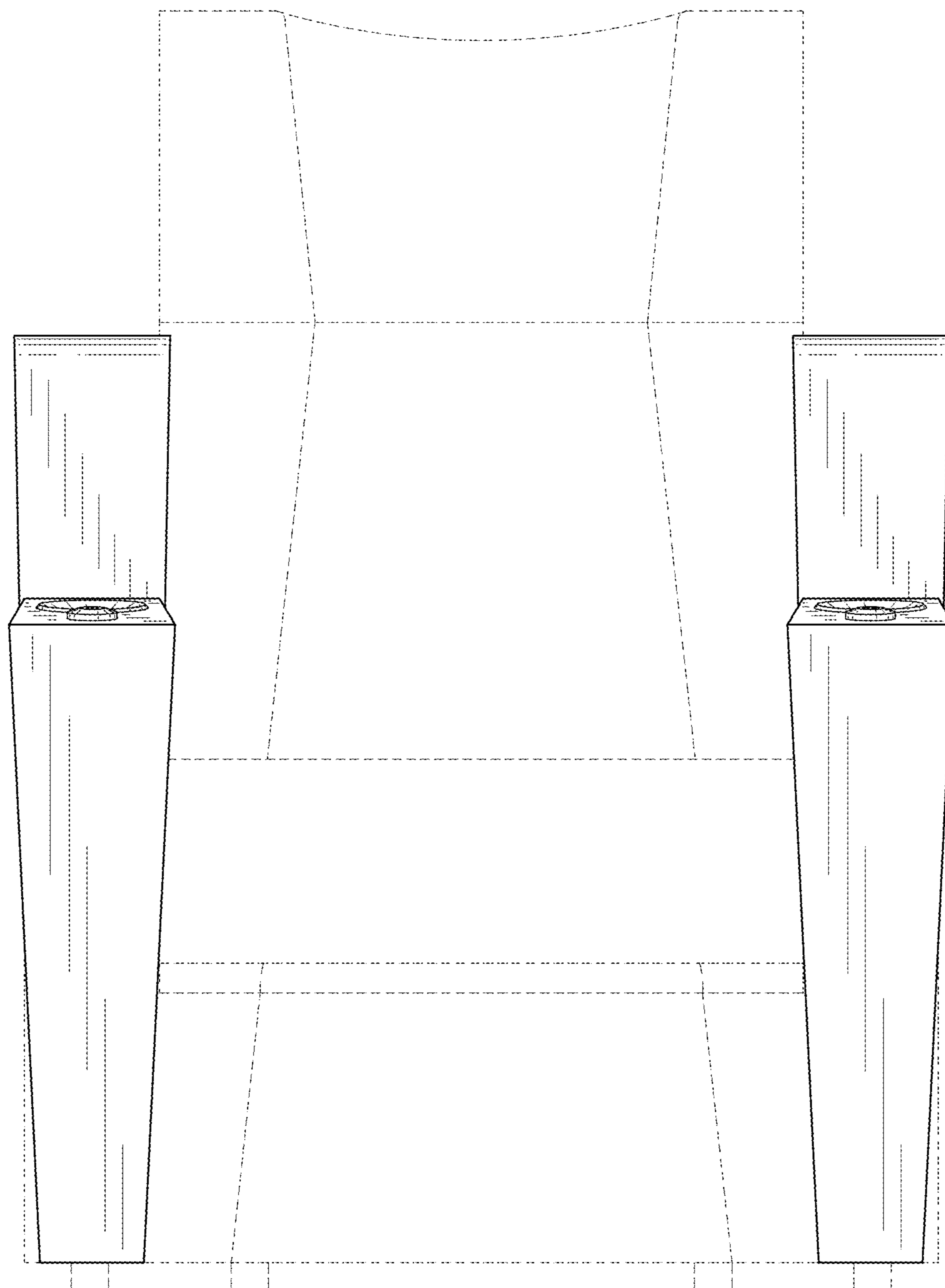


FIG. 10

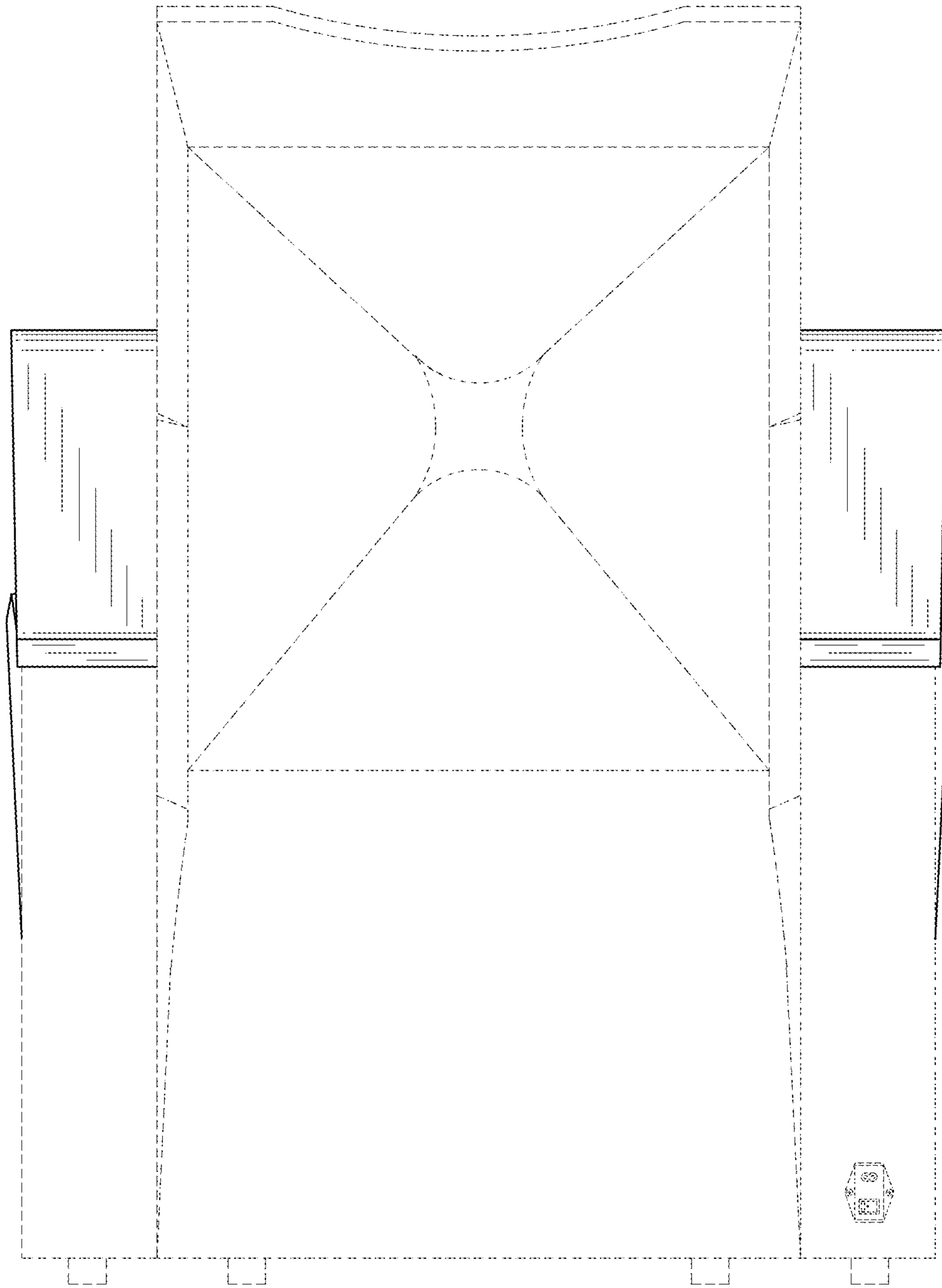


FIG. 11

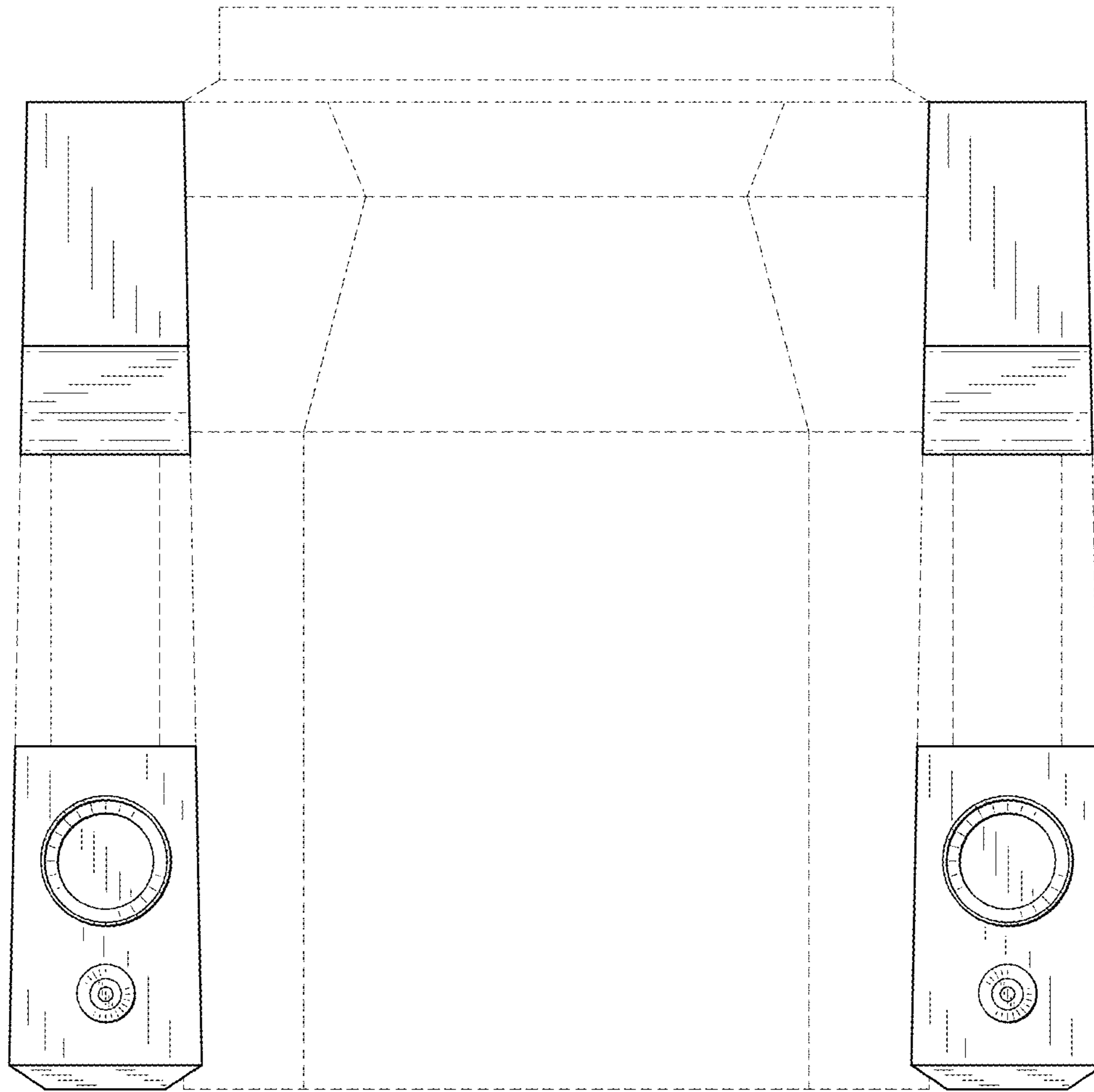


FIG. 12

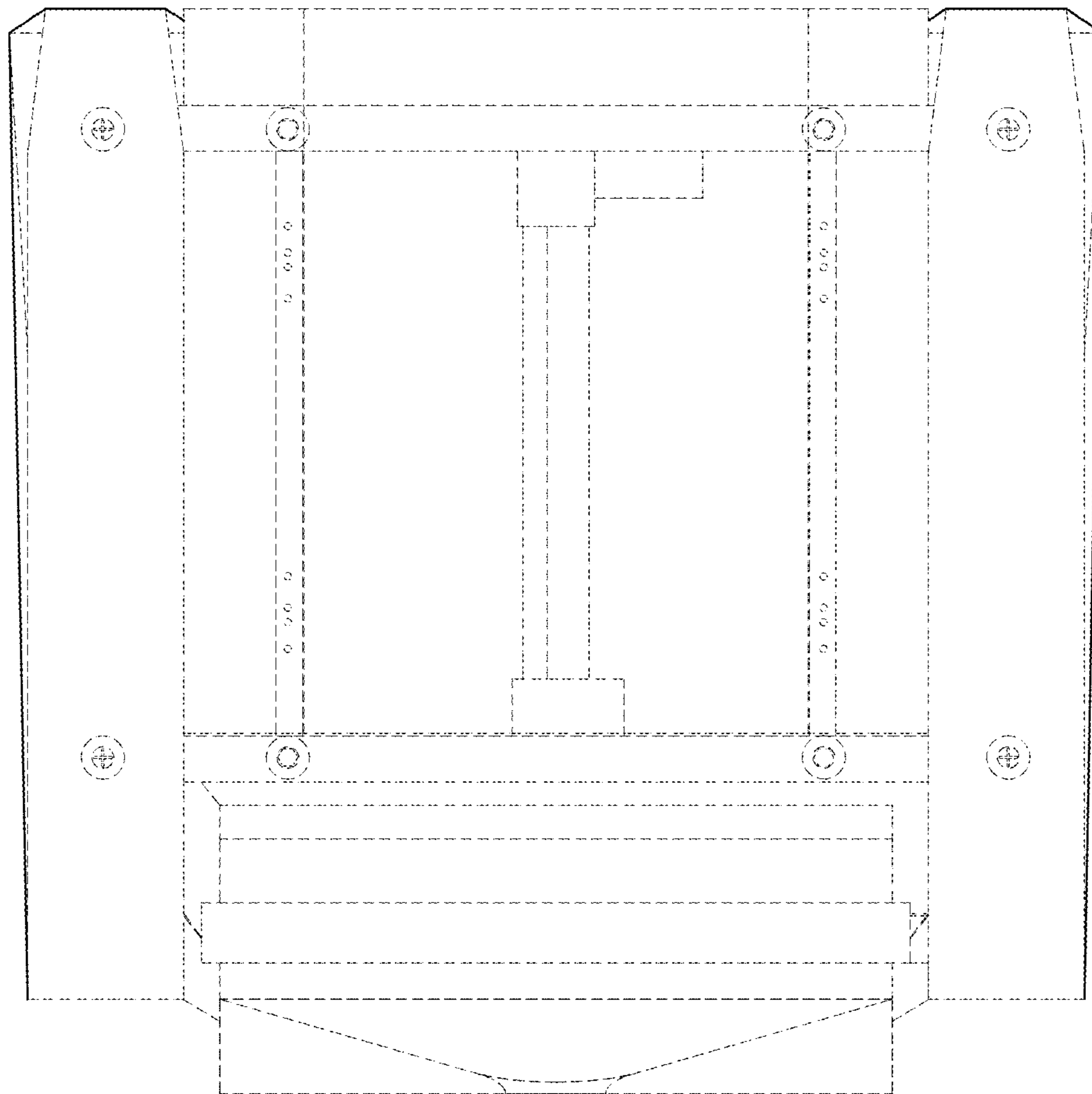


FIG. 13

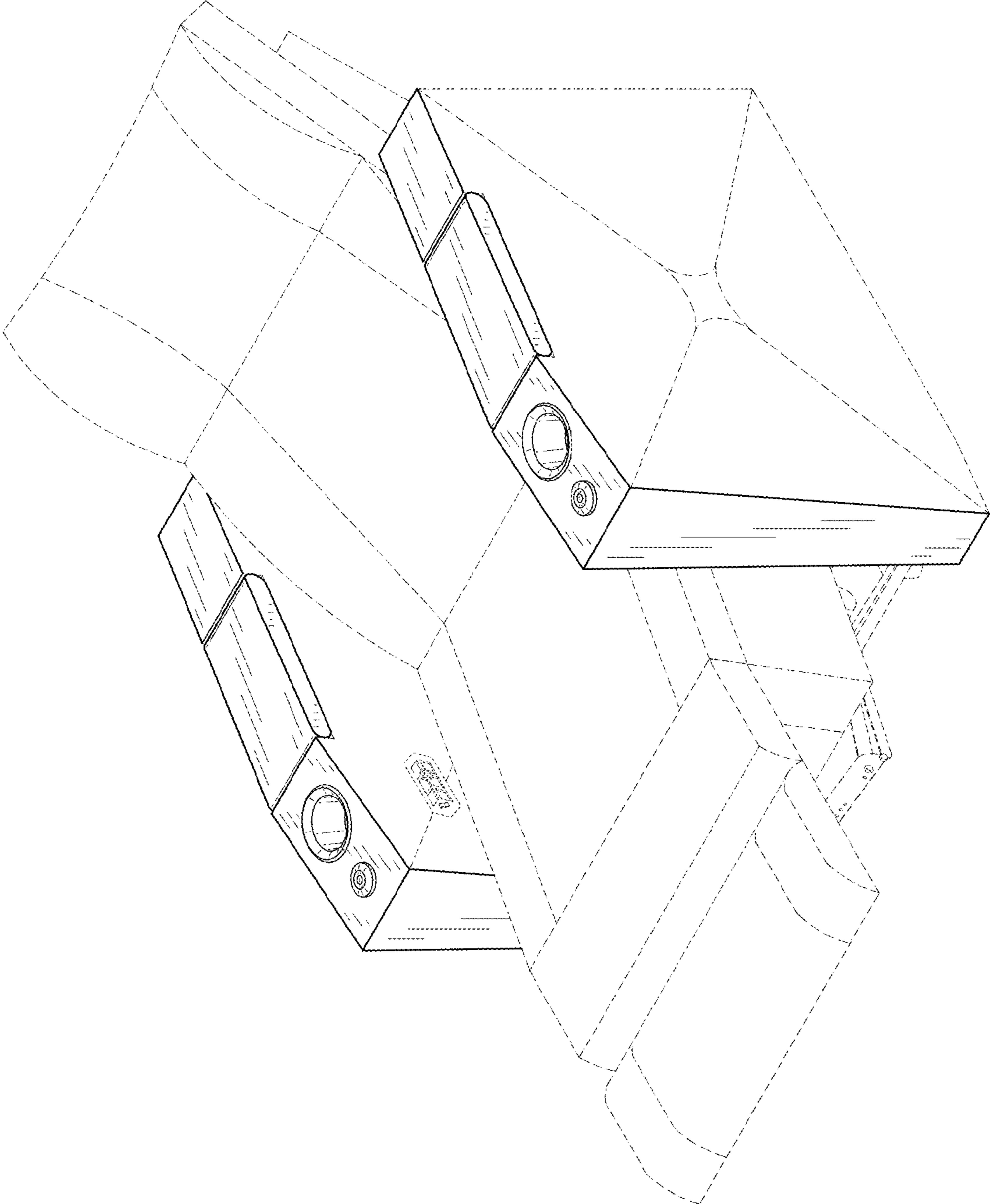


FIG. 14

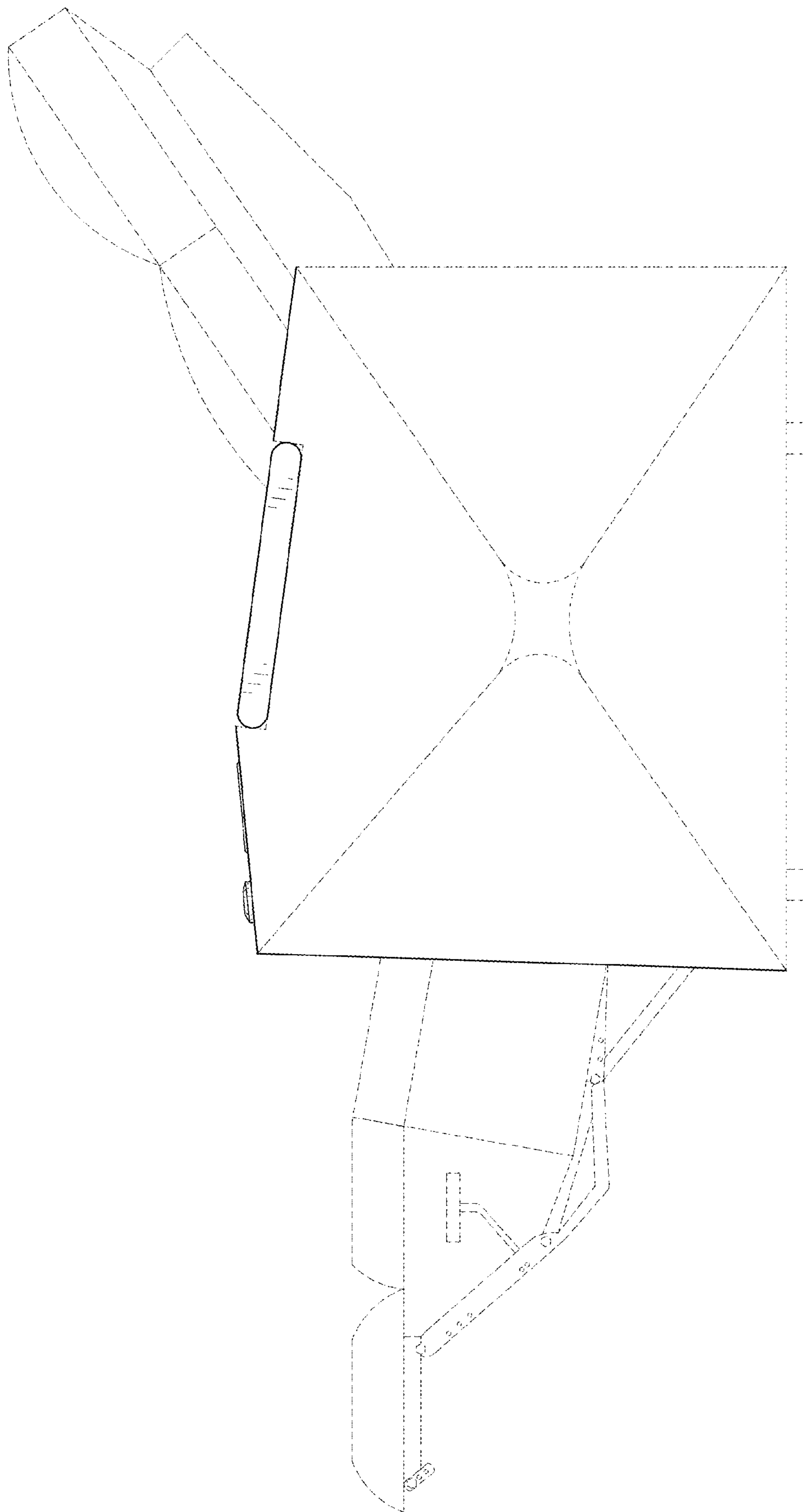


FIG. 15

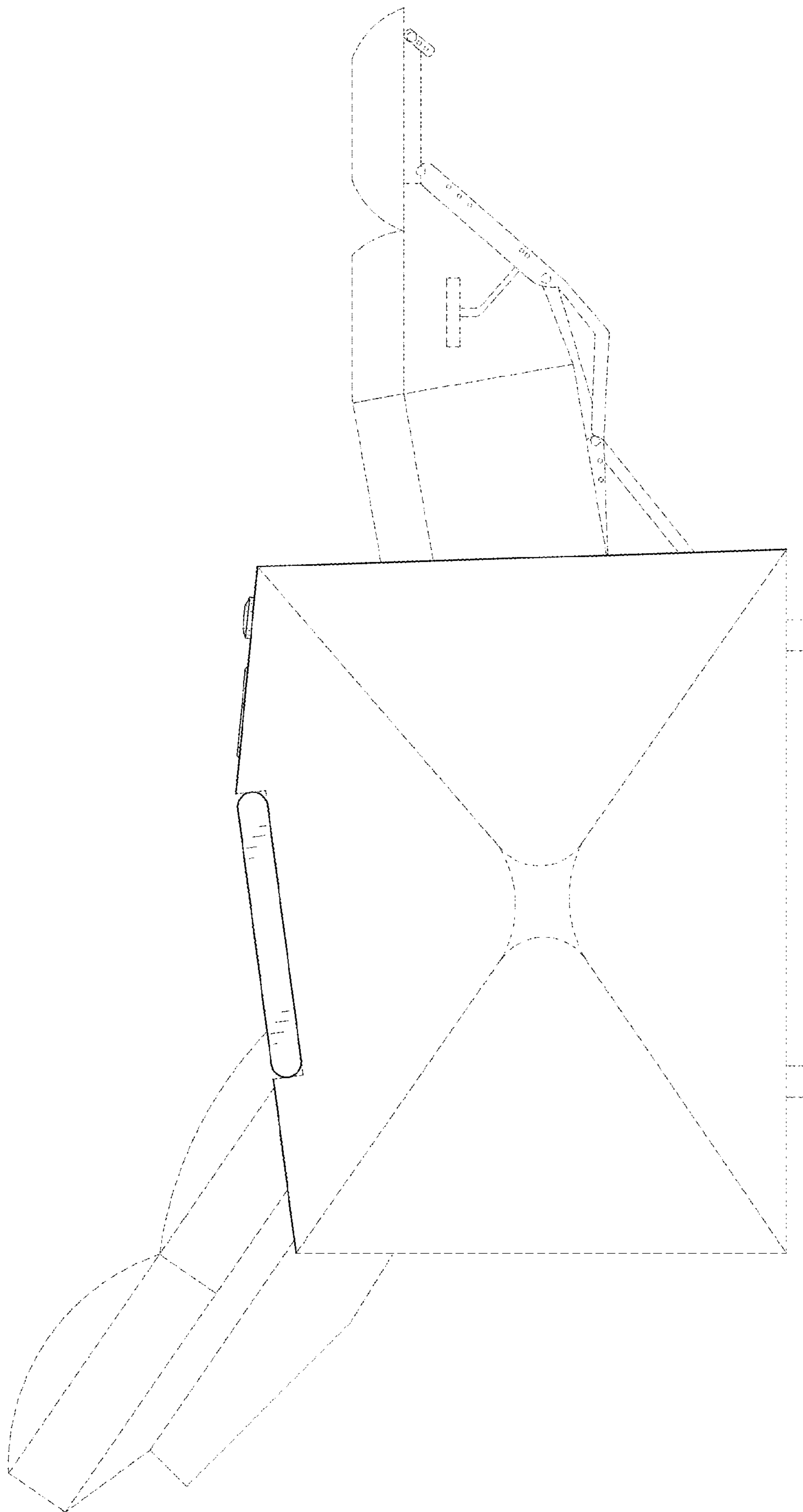


FIG. 16

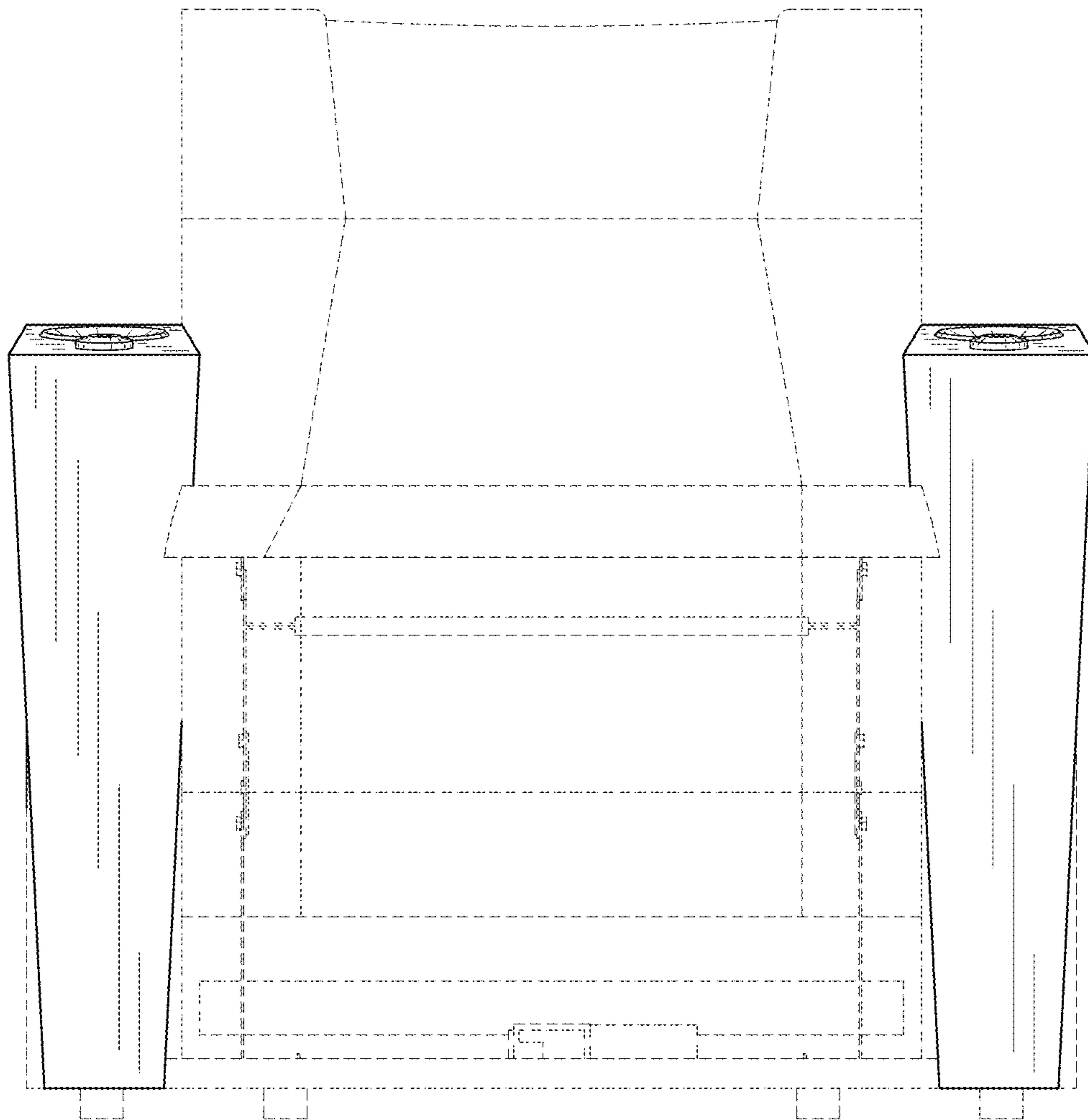


FIG. 17

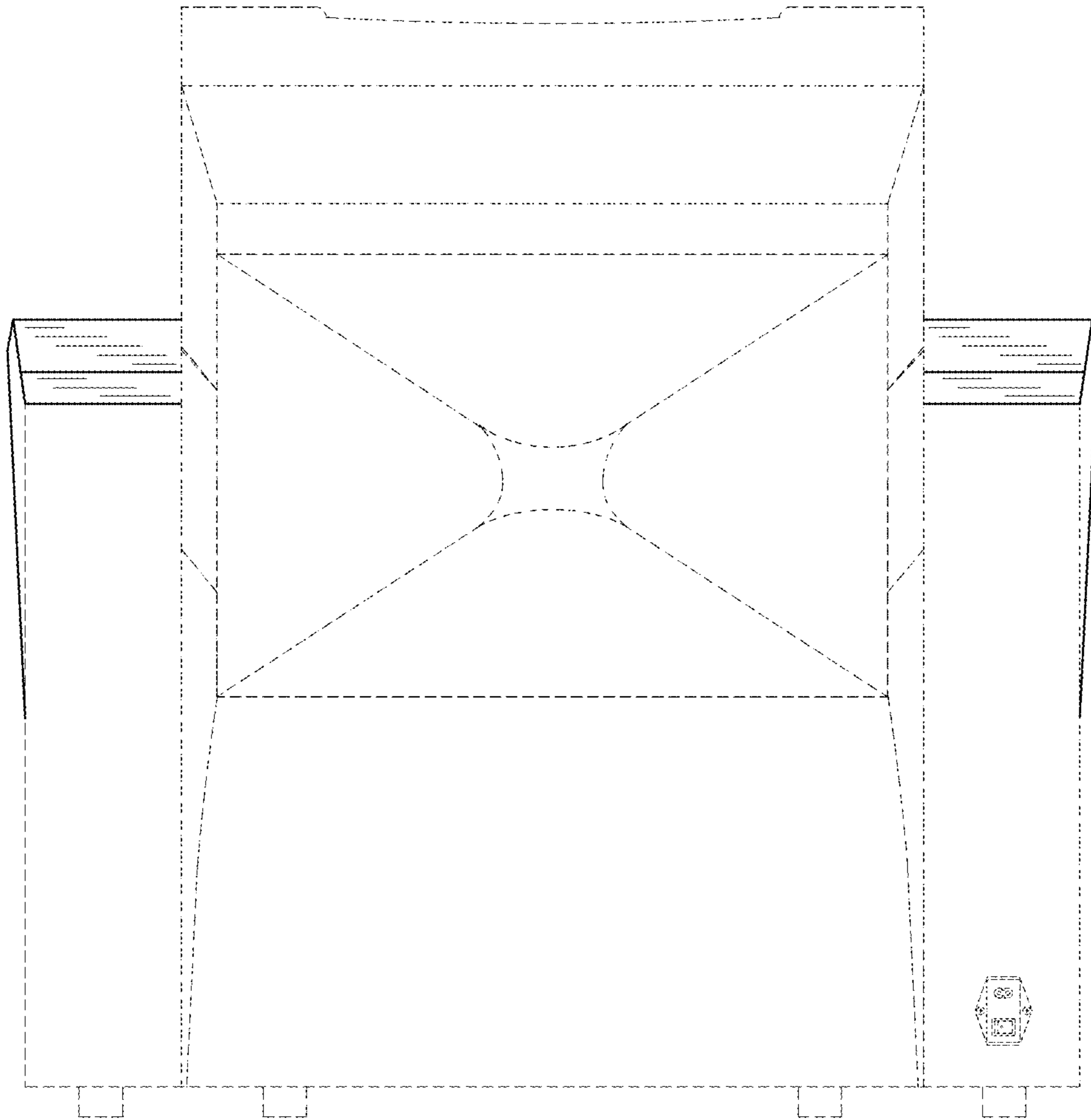


FIG. 18

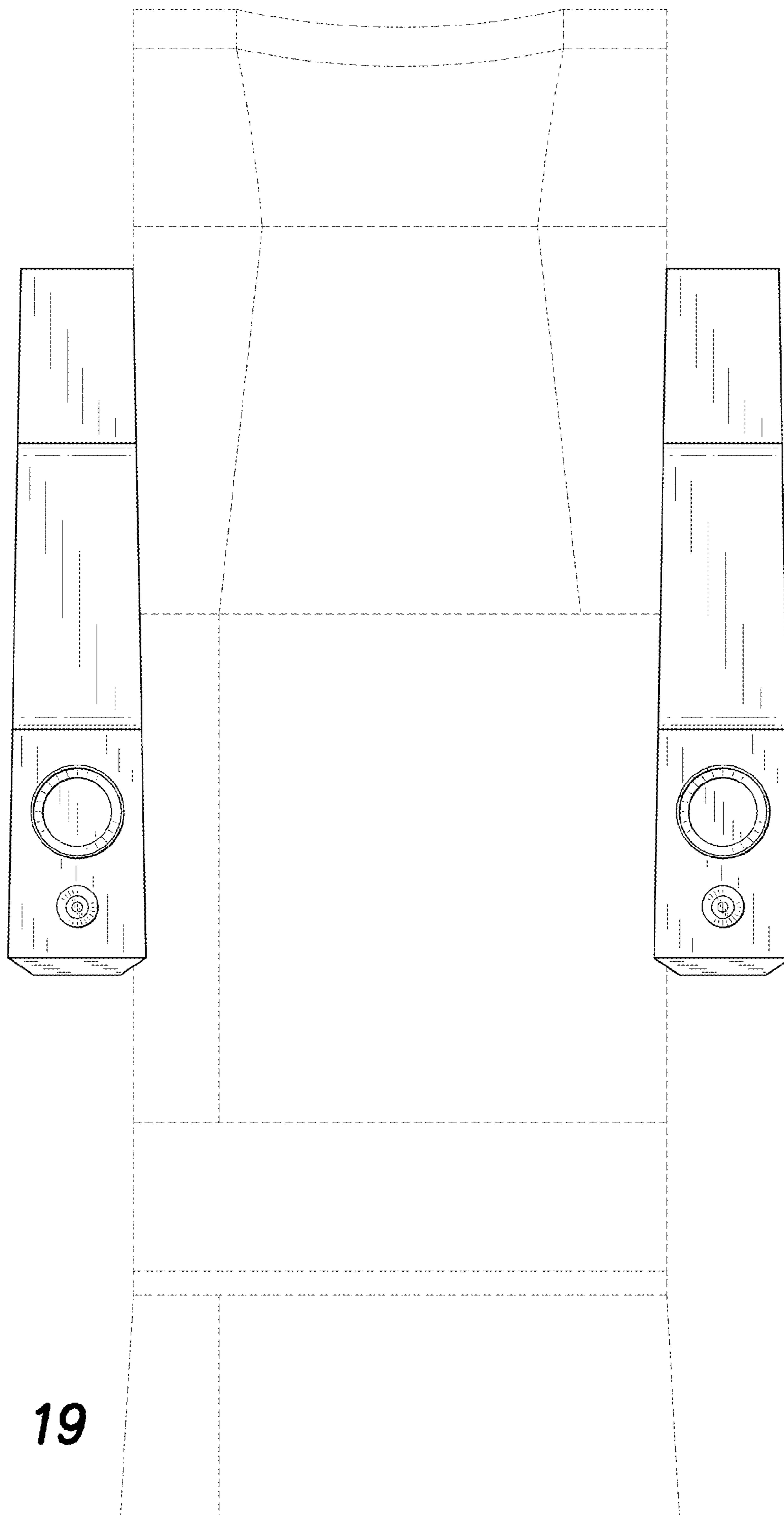


FIG. 19

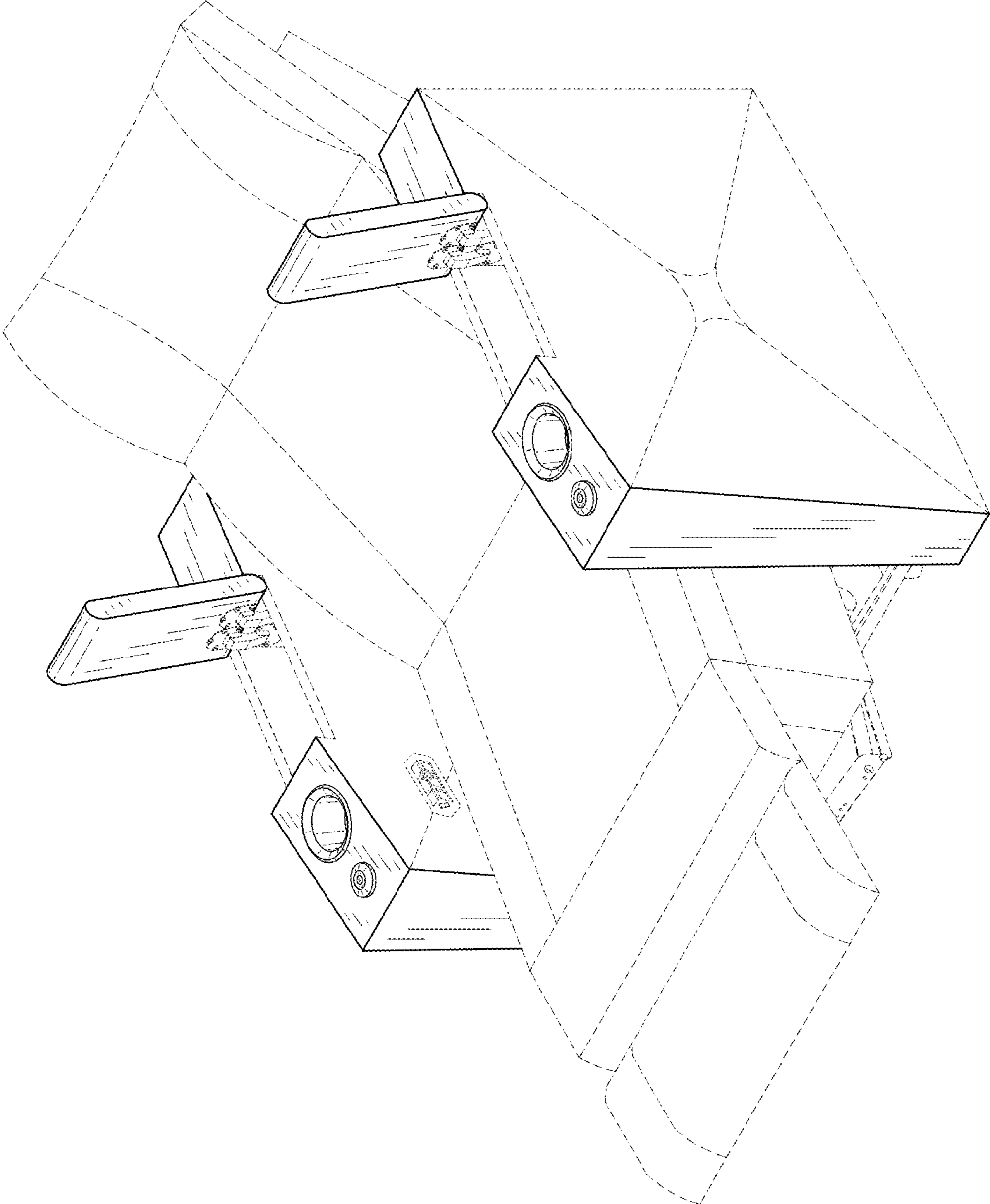


FIG. 20

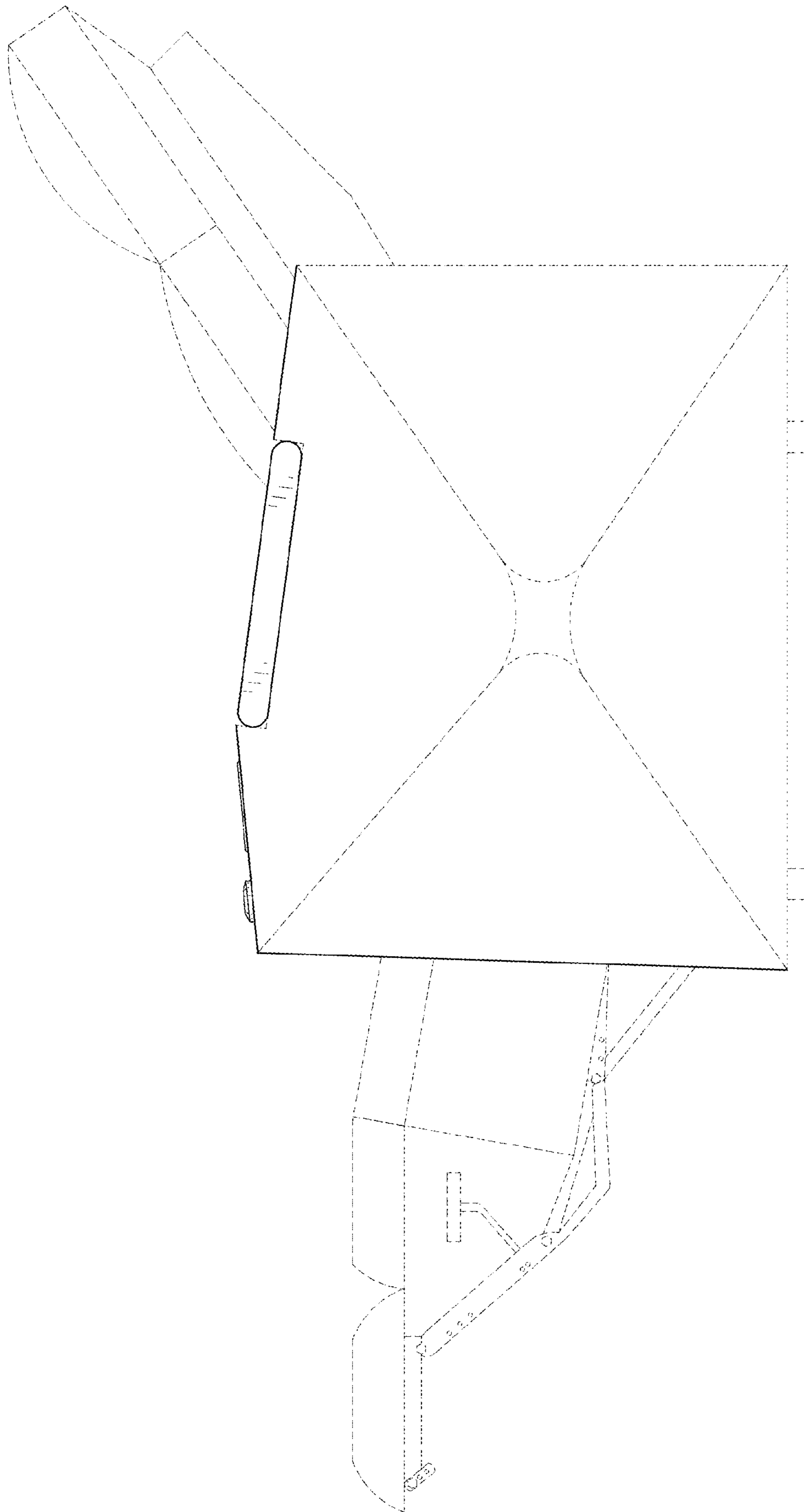


FIG. 21

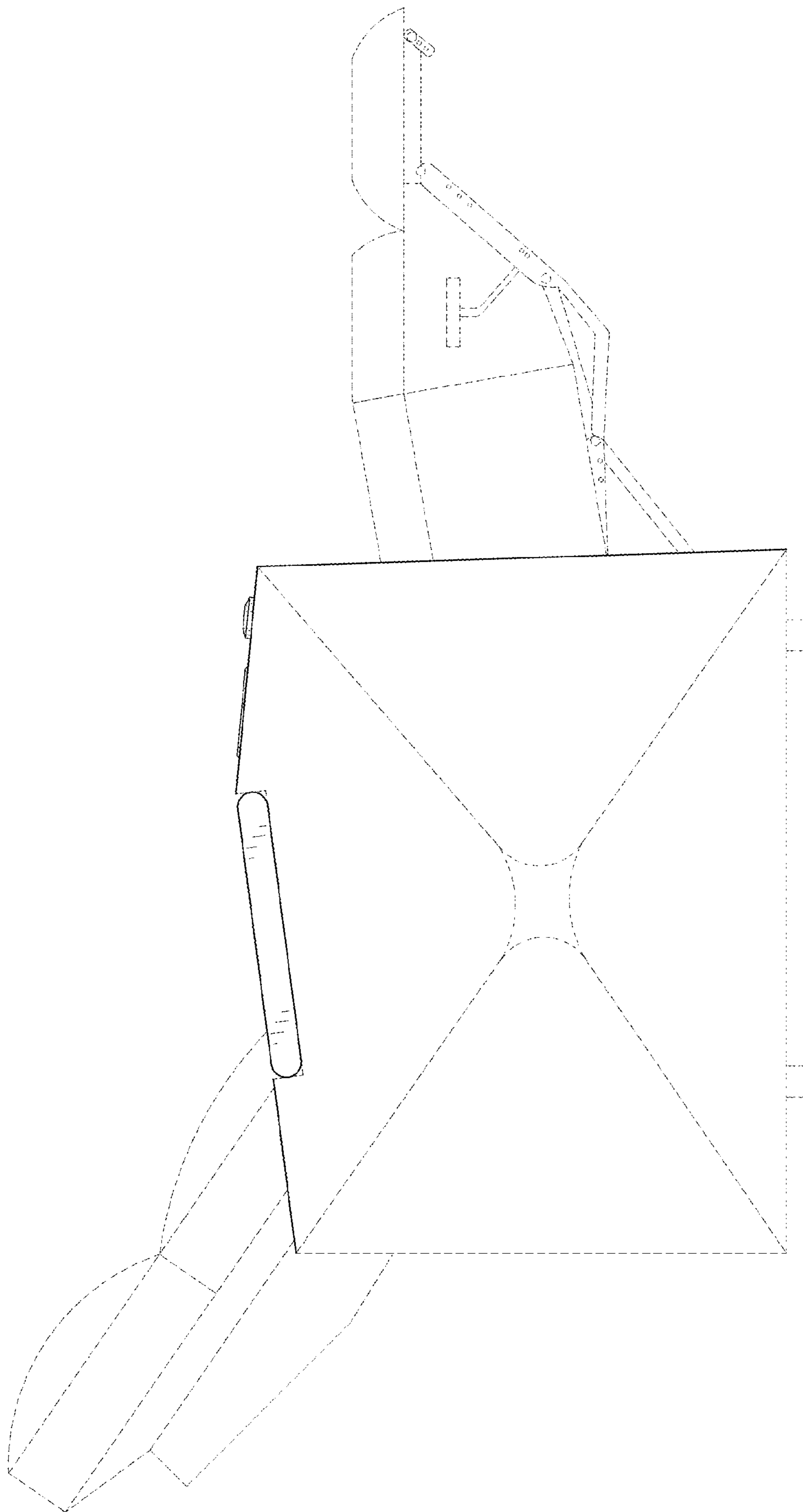


FIG. 22

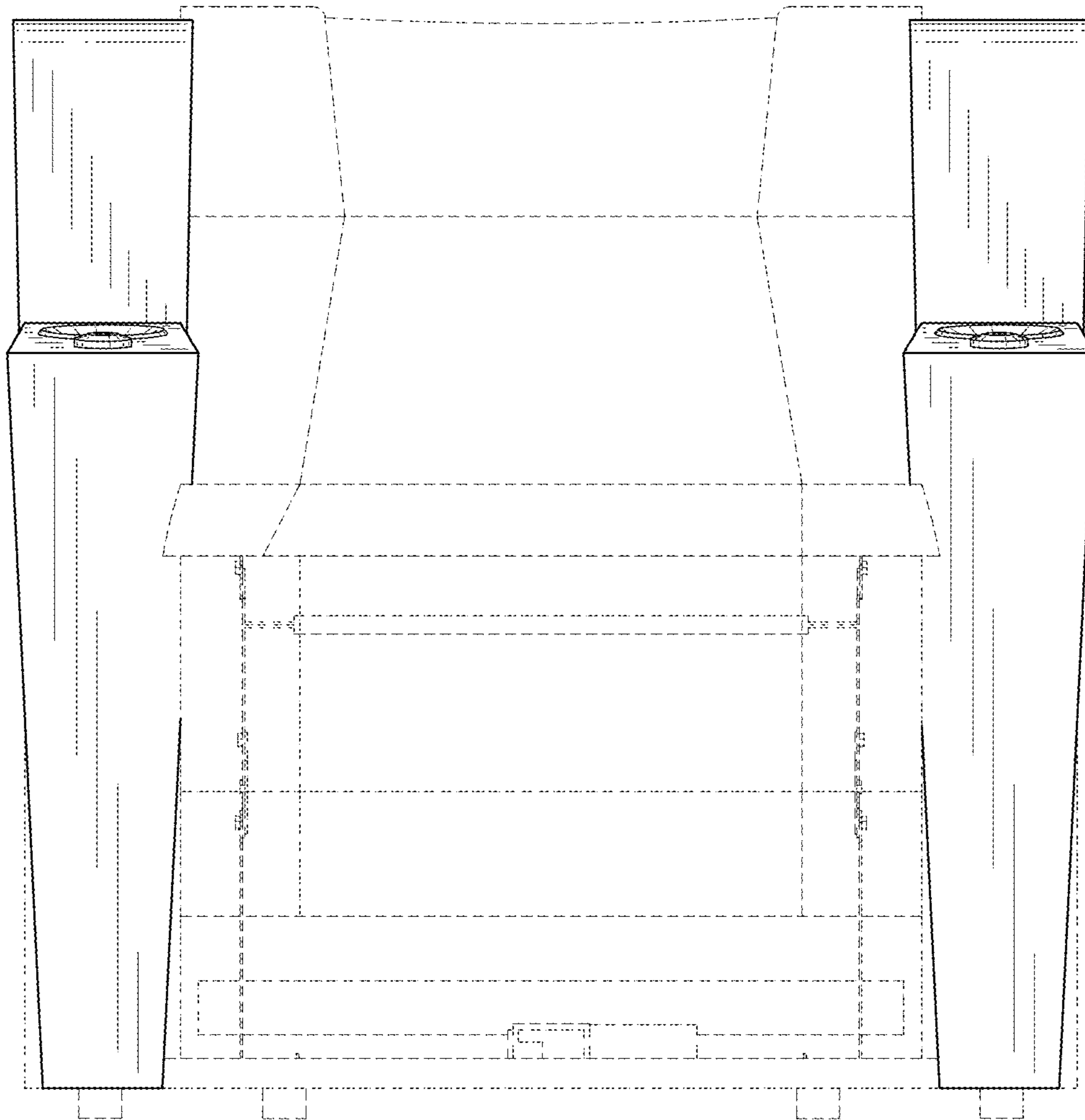


FIG. 23

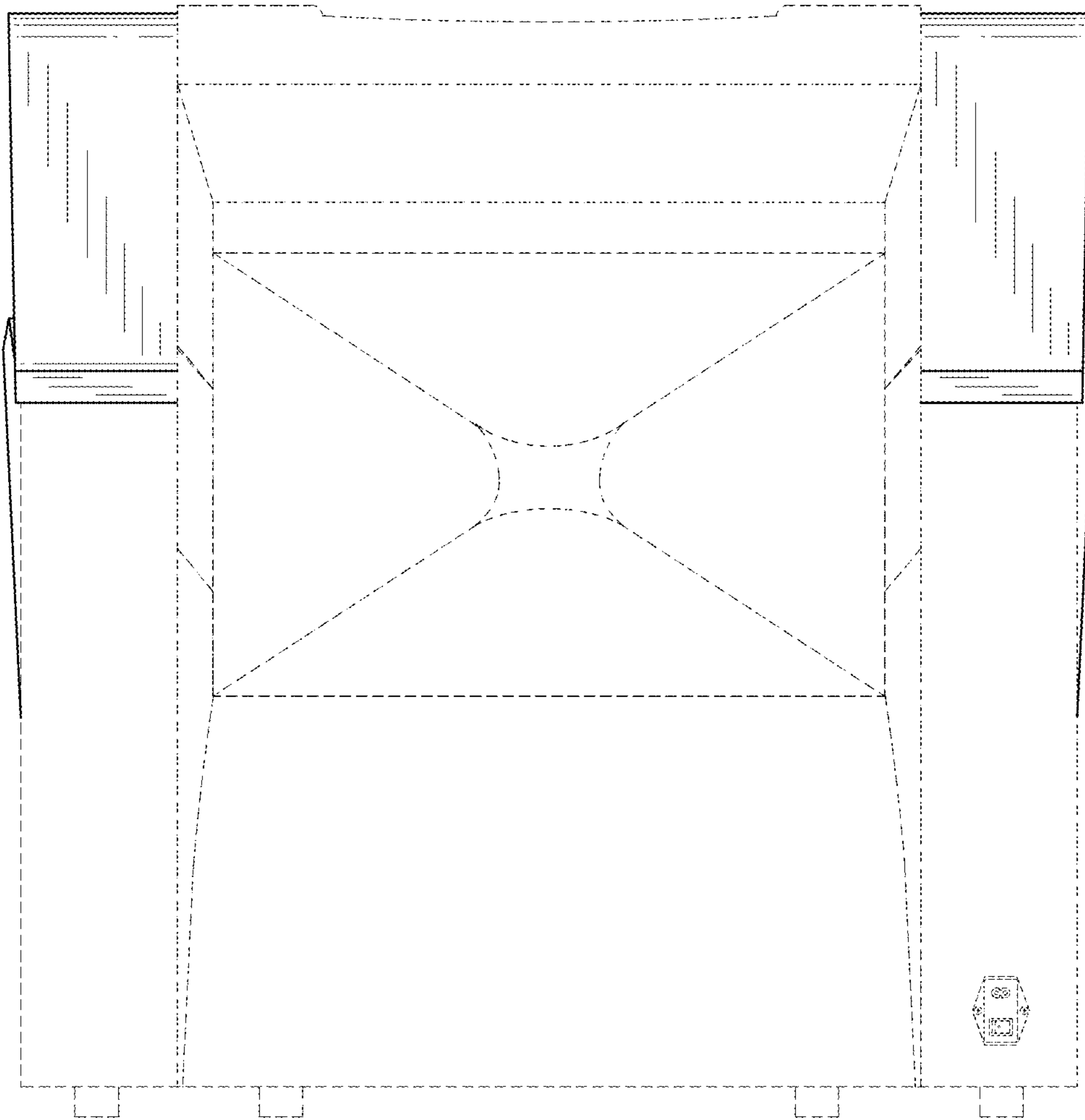


FIG. 24

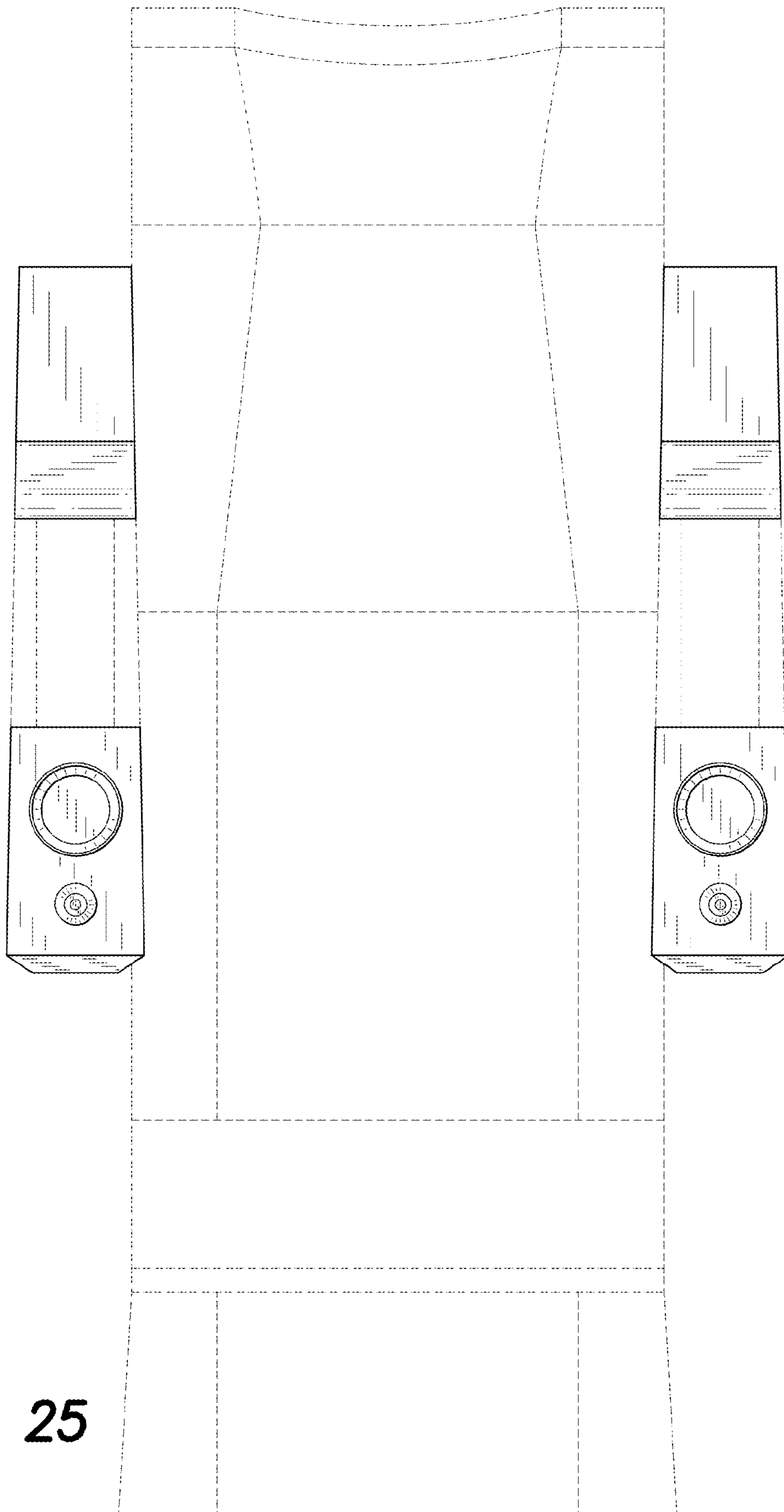


FIG. 25

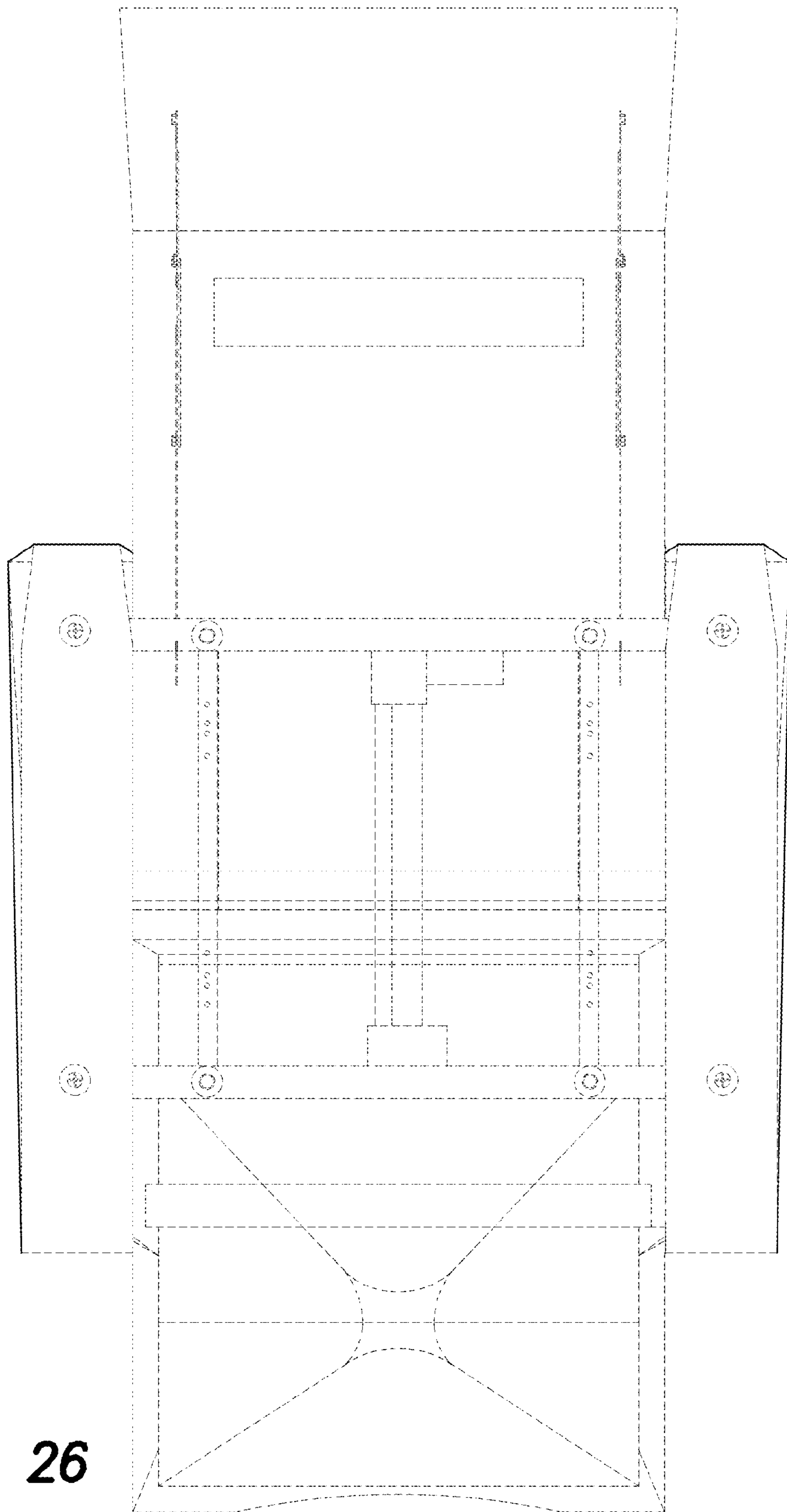


FIG. 26