



US00D981774S

(12) **United States Design Patent** (10) **Patent No.:** **US D981,774 S**
Wang (45) **Date of Patent:** **** Mar. 28, 2023**

(54) **ORGANIZER**
(71) Applicant: **RUNJIAN CO., LTD.**, Nanning (CN)
(72) Inventor: **Huiping Wang**, Guangzhou (CN)
(73) Assignee: **RUNJIAN CO., LTD.**, Nanning (CN)
(**) Term: **15 Years**
(21) Appl. No.: **29/862,838**
(22) Filed: **Dec. 13, 2022**
(51) **LOC (14) Cl.** **06-06**
(52) **U.S. Cl.**
USPC **D6/675.2**
(58) **Field of Classification Search**
USPC D6/512-513, 524, 553, 566-567, 569,
D6/672, 675, 675.1, 675.2; D7/600.1,
D7/600.4
CPC A47B 96/16; A47B 57/00; A47B 96/06;
A47F 5/00; A47F 5/01; A47F 5/08; A47F
5/0006; A47F 5/0807
See application file for complete search history.

D873,081 S * 1/2020 Goodman D7/600.1
D904,127 S * 12/2020 Song D7/600.1
D915,148 S * 4/2021 Li D7/600.4
D923,422 S * 6/2021 Xu D7/600.4
D924,635 S * 7/2021 Tsai D7/600.4
D942,177 S * 2/2022 Liu D6/569
D942,772 S * 2/2022 Liu D6/569
D968,136 S * 11/2022 Peng D6/675.1
D968,845 S * 11/2022 Gao D6/569

* cited by examiner

Primary Examiner — Kelley A Donnelly
(74) *Attorney, Agent, or Firm* — Georgi Korobanov

(57) **CLAIM**

The ornamental design for an organizer, as shown and described.

DESCRIPTION

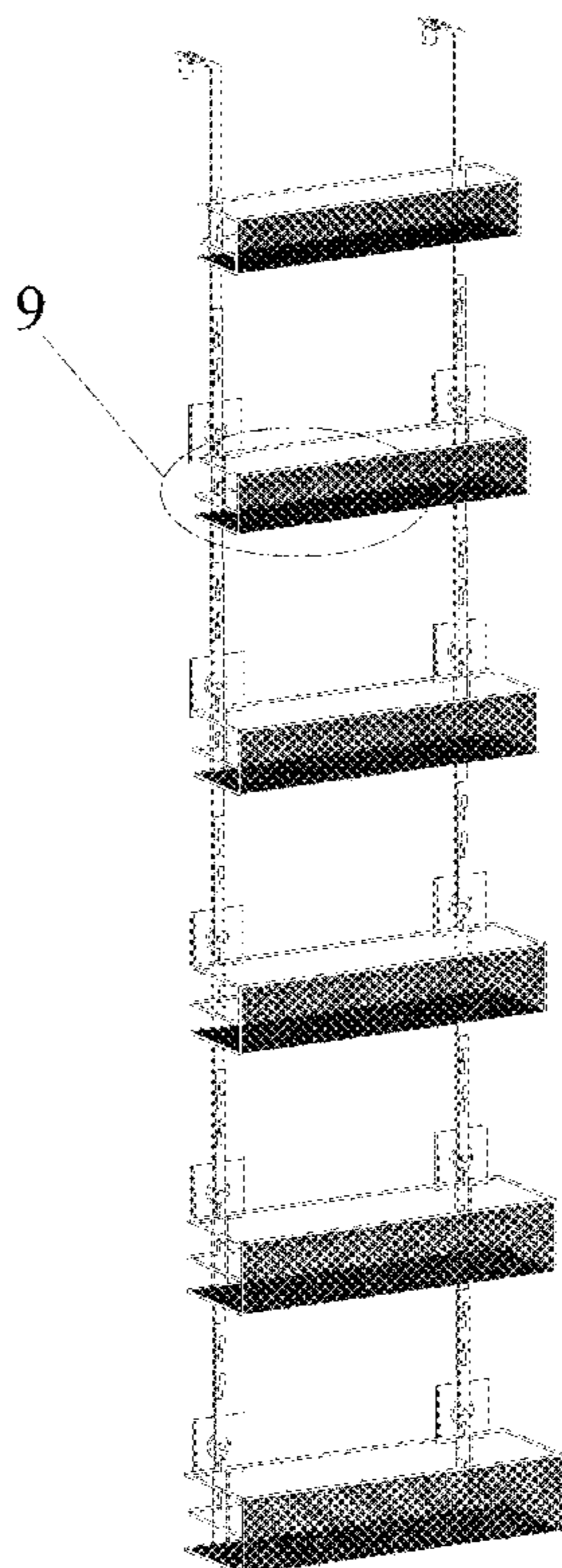
FIG. 1 is a front, left and top perspective view of an organizer, showing my new design;
FIG. 2 is a rear, right and top perspective view thereof;
FIG. 3 is a front view thereof;
FIG. 4 is a rear view thereof;
FIG. 5 is a left side view thereof;
FIG. 6 is a right side view thereof;
FIG. 7 is an enlarged top plan view thereof;
FIG. 8 is an enlarged bottom plan view thereof; and,
FIG. 9 is an enlarged view of portion 9 shown in FIG. 1.
The dot-dash broken lines depict the boundaries of the enlargements that form no part of the claimed design.

(56) **References Cited**

U.S. PATENT DOCUMENTS

D267,692 S * 1/1983 Kates D6/675.1
D285,156 S * 8/1986 Chap D6/570
D463,697 S * 10/2002 Klein D6/514
D616,680 S * 6/2010 Snider D6/513
D689,942 S 9/2013 Hu
D748,938 S 2/2016 Hsu et al.
D862,949 S * 10/2019 Ghiorghie D6/675.2

1 Claim, 9 Drawing Sheets



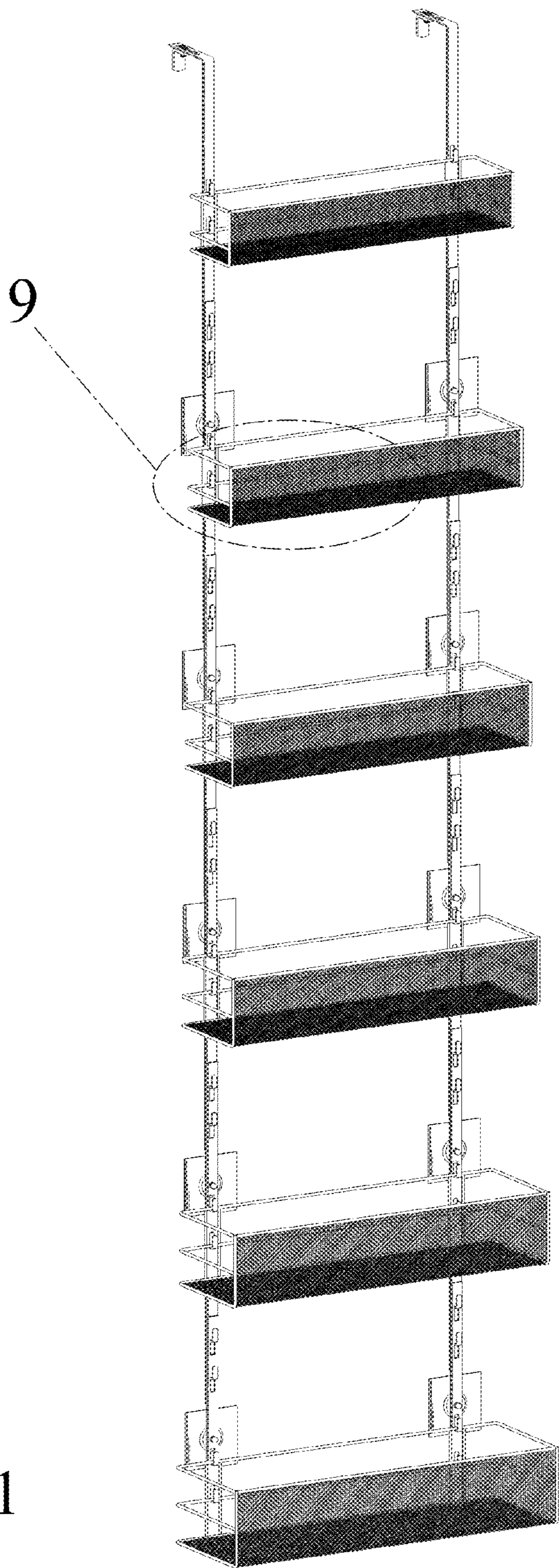


FIG. 1

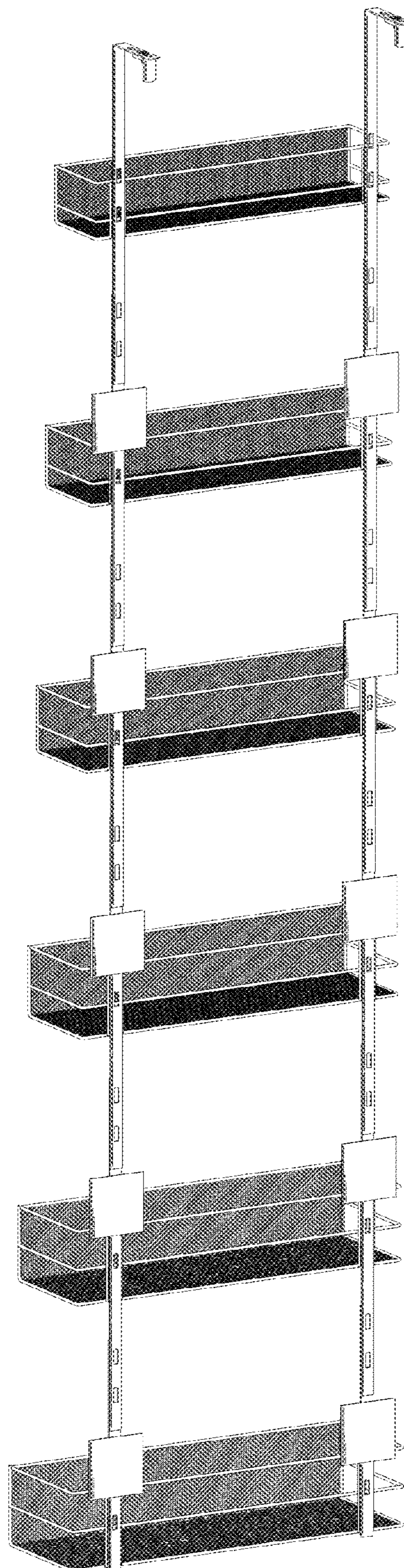


FIG.2

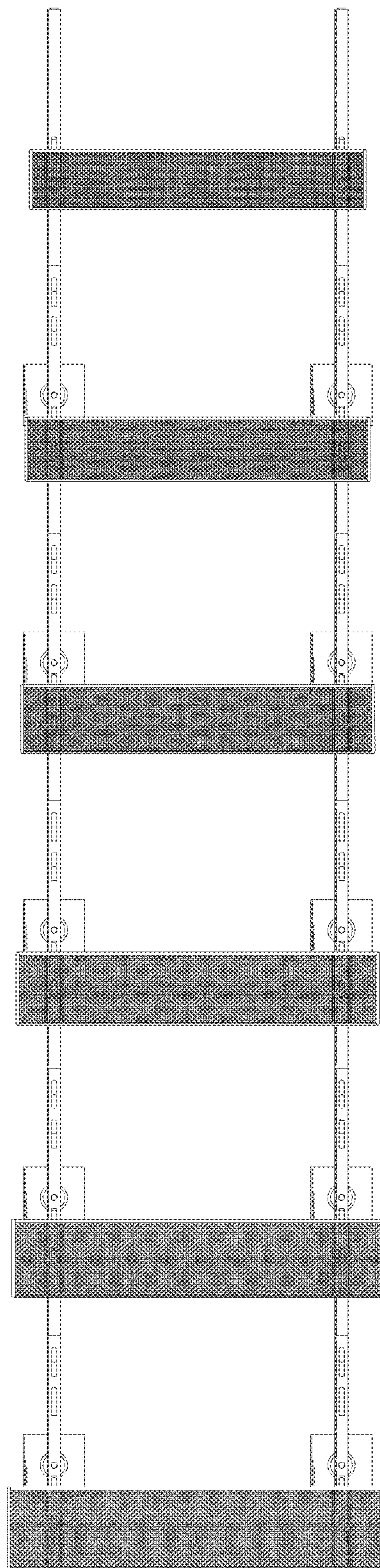


FIG.3

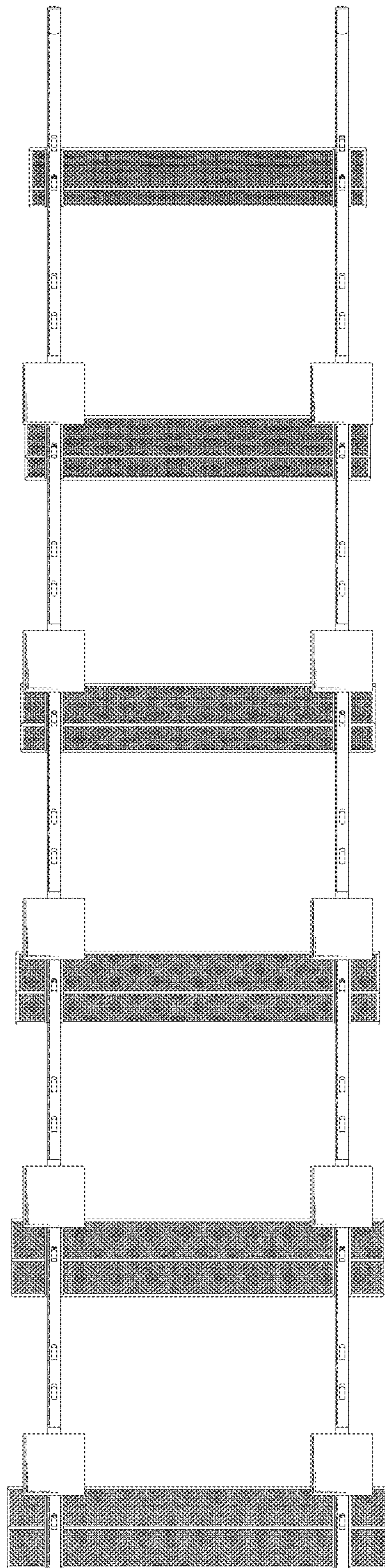


FIG.4

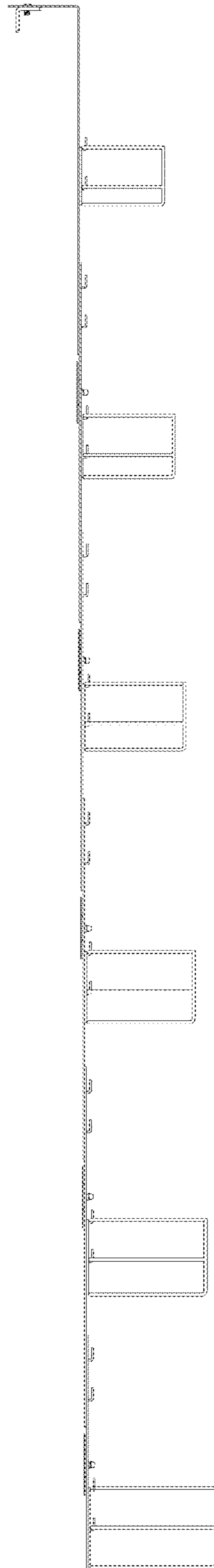


FIG. 5

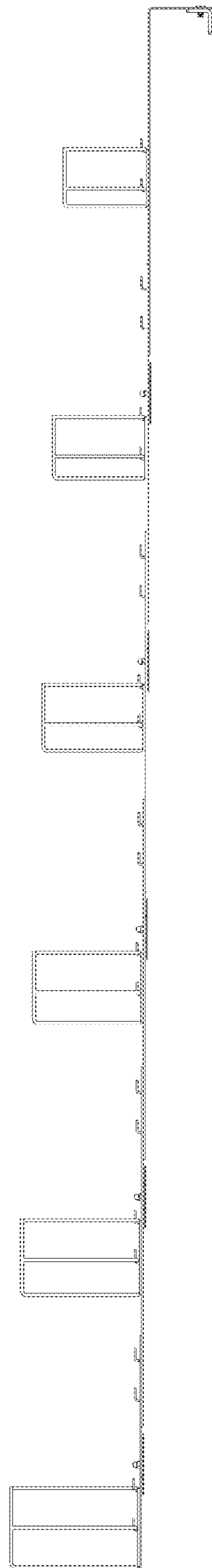


FIG.6

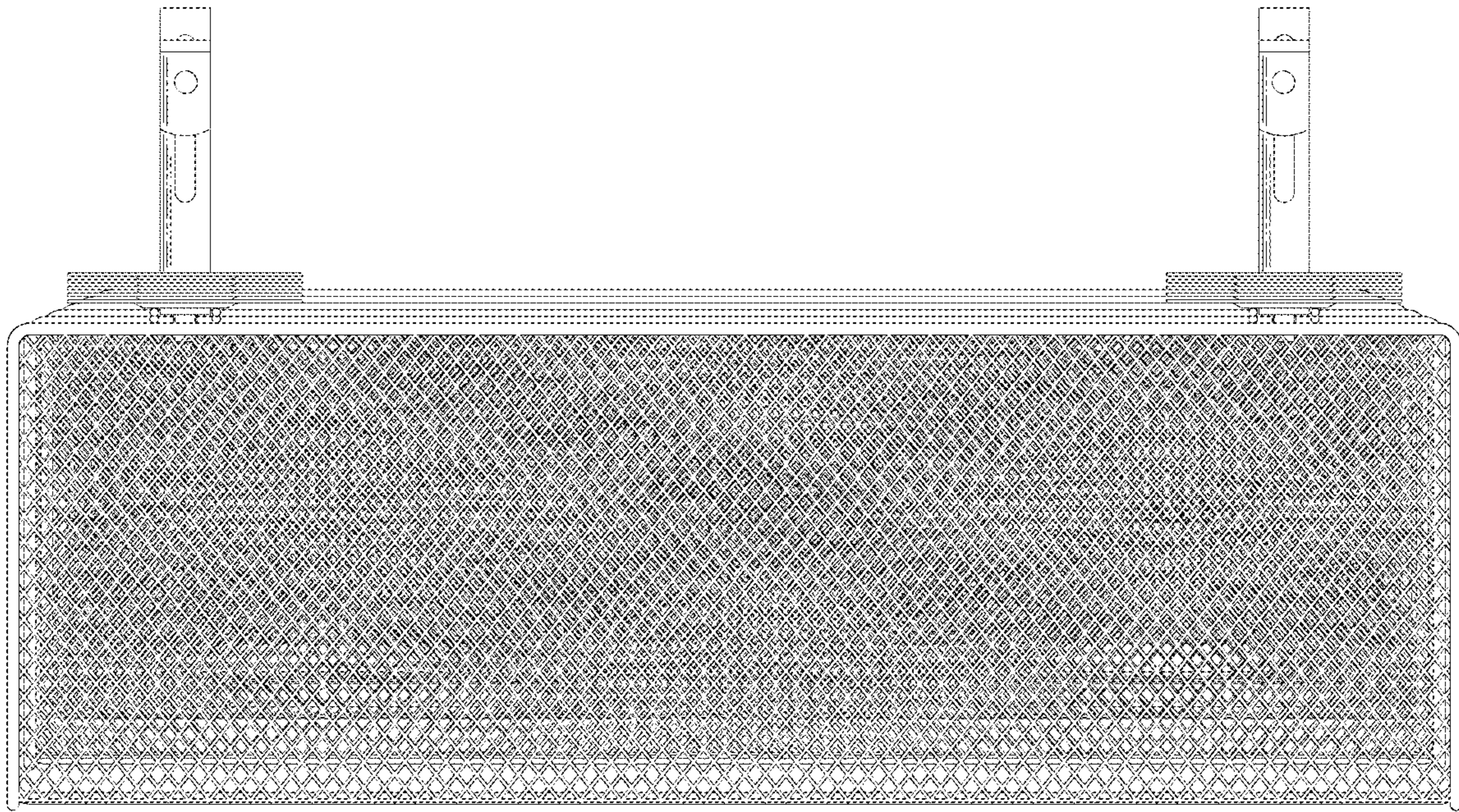


FIG. 7

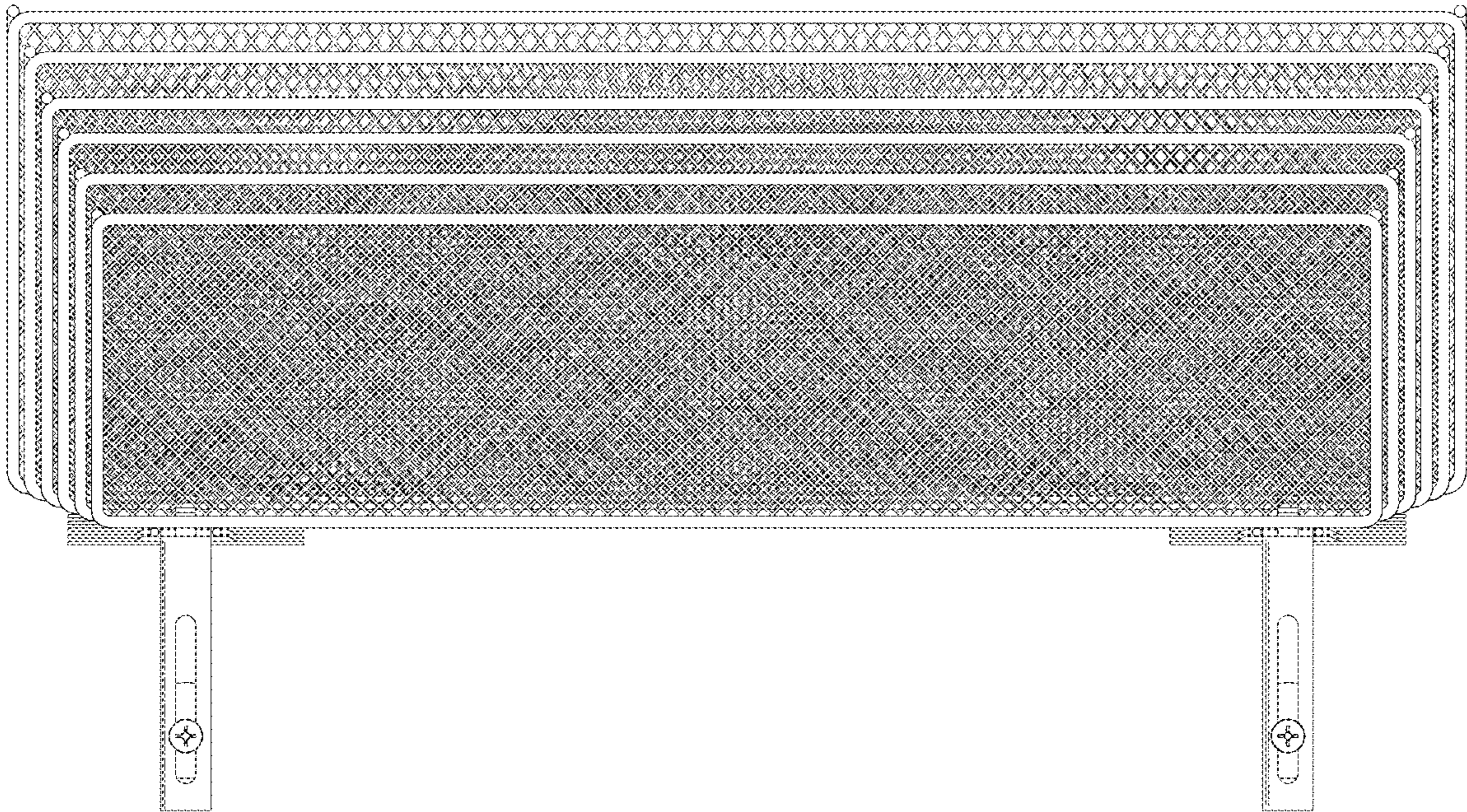


FIG.8

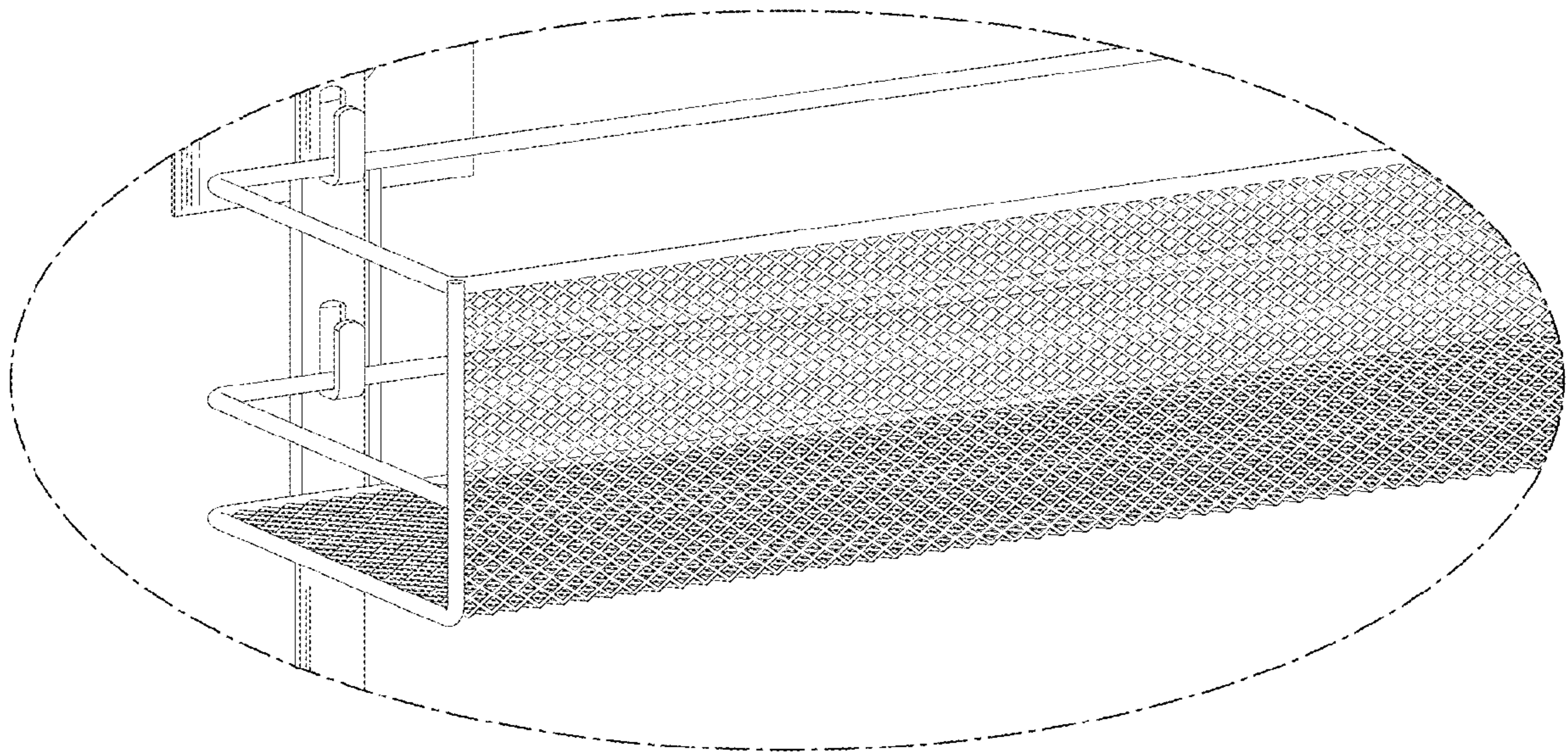


FIG.9