



US00D981772S

(12) **United States Design Patent**
Zhou

(10) **Patent No.:** **US D981,772 S**
(45) **Date of Patent:** **** Mar. 28, 2023**

- (54) **TWO TIER TRAY RACK**
- (71) Applicant: **Xin Zhou**, Jiangsu Province (CN)
- (72) Inventor: **Xin Zhou**, Jiangsu Province (CN)
- (**) Term: **15 Years**
- (21) Appl. No.: **29/860,242**
- (22) Filed: **Nov. 17, 2022**
- (51) **LOC (14) Cl.** **06-04**
- (52) **U.S. Cl.**
USPC **D6/675.1**
- (58) **Field of Classification Search**
USPC D6/672, 675, 675.1, 675.2, 681, 683,
D6/512, 513, 514, 524, 525, 527, 567,
D6/570, 573, 574; D7/600.1, 600.4;
D3/304; D19/65, 75, 86
CPC A47B 88/00; A47B 88/41; A47B 88/407;
A47F 5/0081; A47F 5/0093
See application file for complete search history.

D964,075 S * 9/2022 Zhou D6/675.1
 D964,791 S * 9/2022 Zou D3/313
 D968,137 S * 11/2022 Lin D34/21

OTHER PUBLICATIONS

Jring Under Cabinet Storage, retrieved from amazon.com, posting date Nov. 26, 2021, online, retrieved Dec. 28, 2022, URL:https://www.amazon.com/dp/B09MLJF2XV/ref=sspa_dk_detail_6?pf_rd_p=46bad5f6-1f0a-4167-9a8b-c8a82fa48a54&pf_rd_r=VAH6W8KYA75R0K0 . . . (Year: 2021).*

Madesmart Under Cabinet Storage, retrieved from amazon.com, posting date Jan. 5, 2017, online, retrieved Dec. 28, 2022, URL:https://www.amazon.com/madesmart-29091-Organizer-Clear-Without-Dividers/dp/B00NGT0KYI/ref=psdc_3610841_t2_B06Y2FS8FK?th=1 (Year: 2017).*

* cited by examiner

Primary Examiner — Sheryl Lane
Assistant Examiner — Michelle Marquart Christeon

(57) **CLAIM**

The ornamental design for a two tier tray rack, as shown and described.

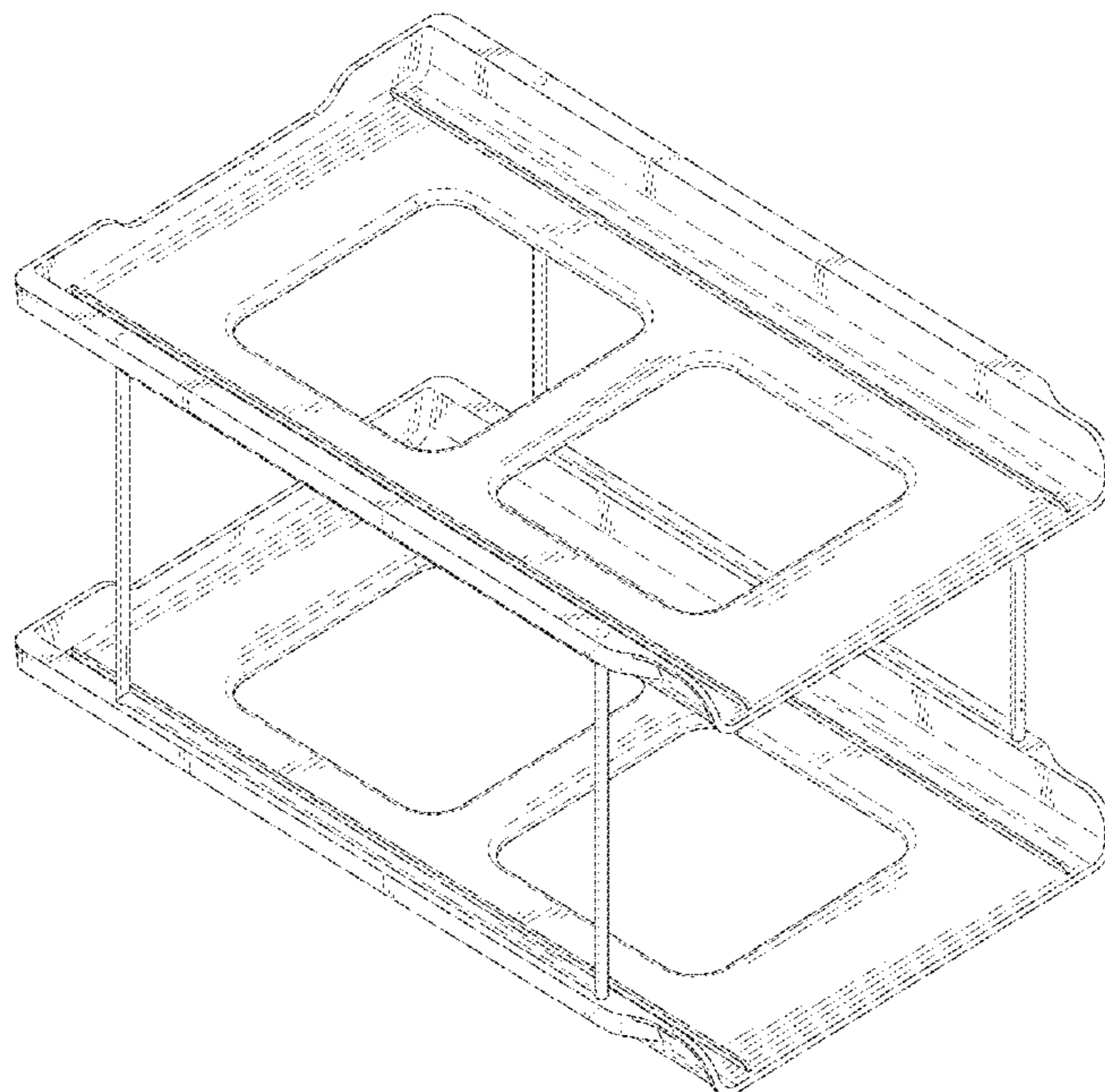
DESCRIPTION

FIG. 1 is a front and top perspective view of a two tier tray rack, showing my new design;
 FIG. 2 is a rear and bottom perspective view thereof;
 FIG. 3 is a front elevation view thereof;
 FIG. 4 is a rear elevation view thereof;
 FIG. 5 is a left side elevation view thereof;
 FIG. 6 is a right side elevation view thereof;
 FIG. 7 is a top plan view thereof; and,
 FIG. 8 is a bottom plan view thereof.
 The broken lines in the figures illustrate portions of the two tier tray rack that form no part of the claimed design.

1 Claim, 8 Drawing Sheets

(56) **References Cited**
U.S. PATENT DOCUMENTS

2,888,147 A * 5/1959 Goldberg A47B 87/0223
 D6/570
 D329,556 S * 9/1992 Brusing D6/675.1
 D400,739 S * 11/1998 Sheng D6/675.1
 D568,635 S * 5/2008 Klein D6/675.2
 D618,419 S * 6/2010 Catron D34/12
 D701,432 S * 3/2014 Tsai D7/600.4
 D714,084 S * 9/2014 Hsu D6/683
 D736,014 S * 8/2015 Tsai D6/675.2
 D747,837 S * 1/2016 Chang D34/21
 D785,979 S * 5/2017 Snider D6/675.1
 D876,169 S * 2/2020 Klein D7/600.4
 D914,408 S * 3/2021 Li D34/21
 D956,457 S * 7/2022 Klein et al.



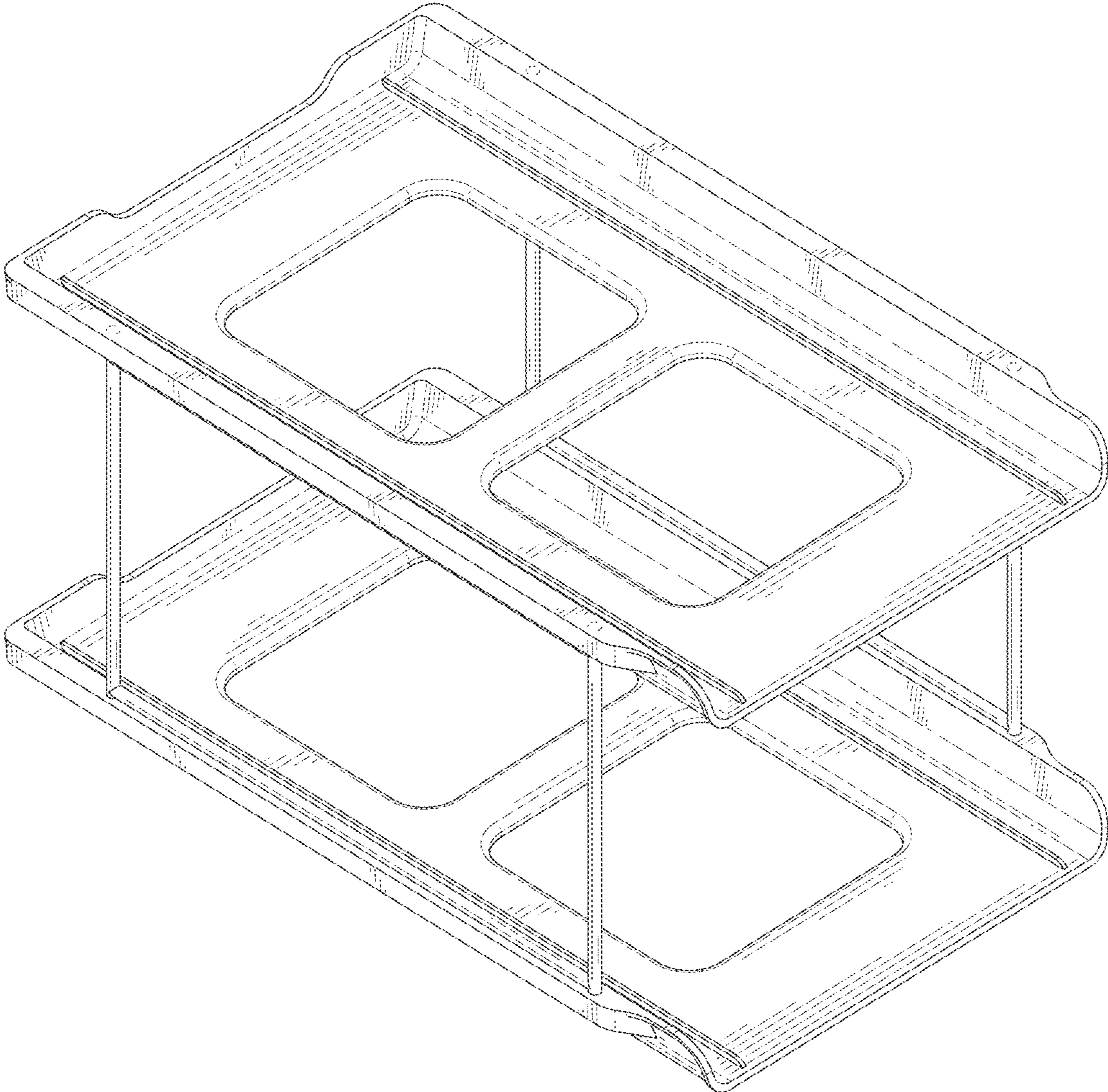


FIG. 1

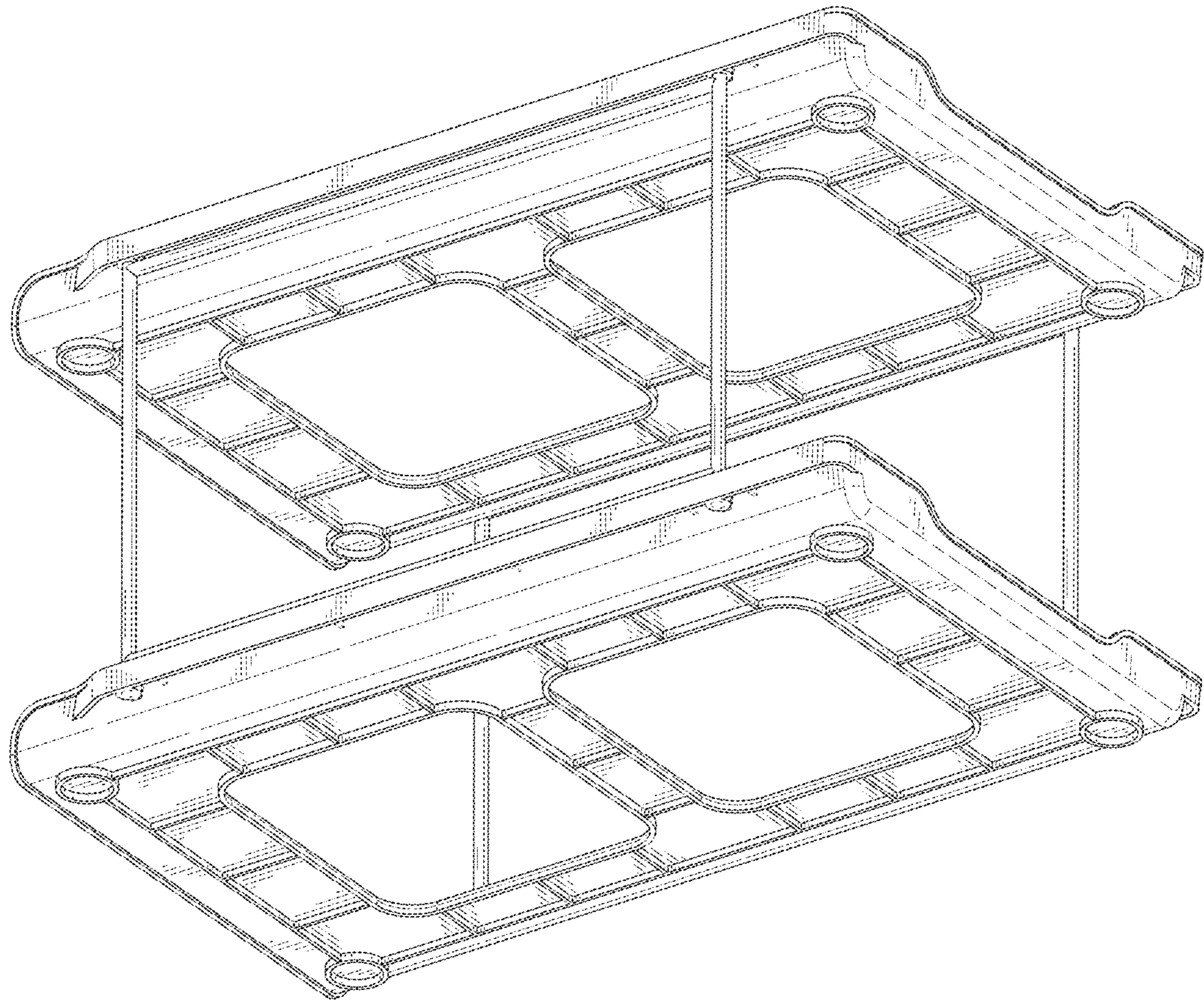


FIG. 2

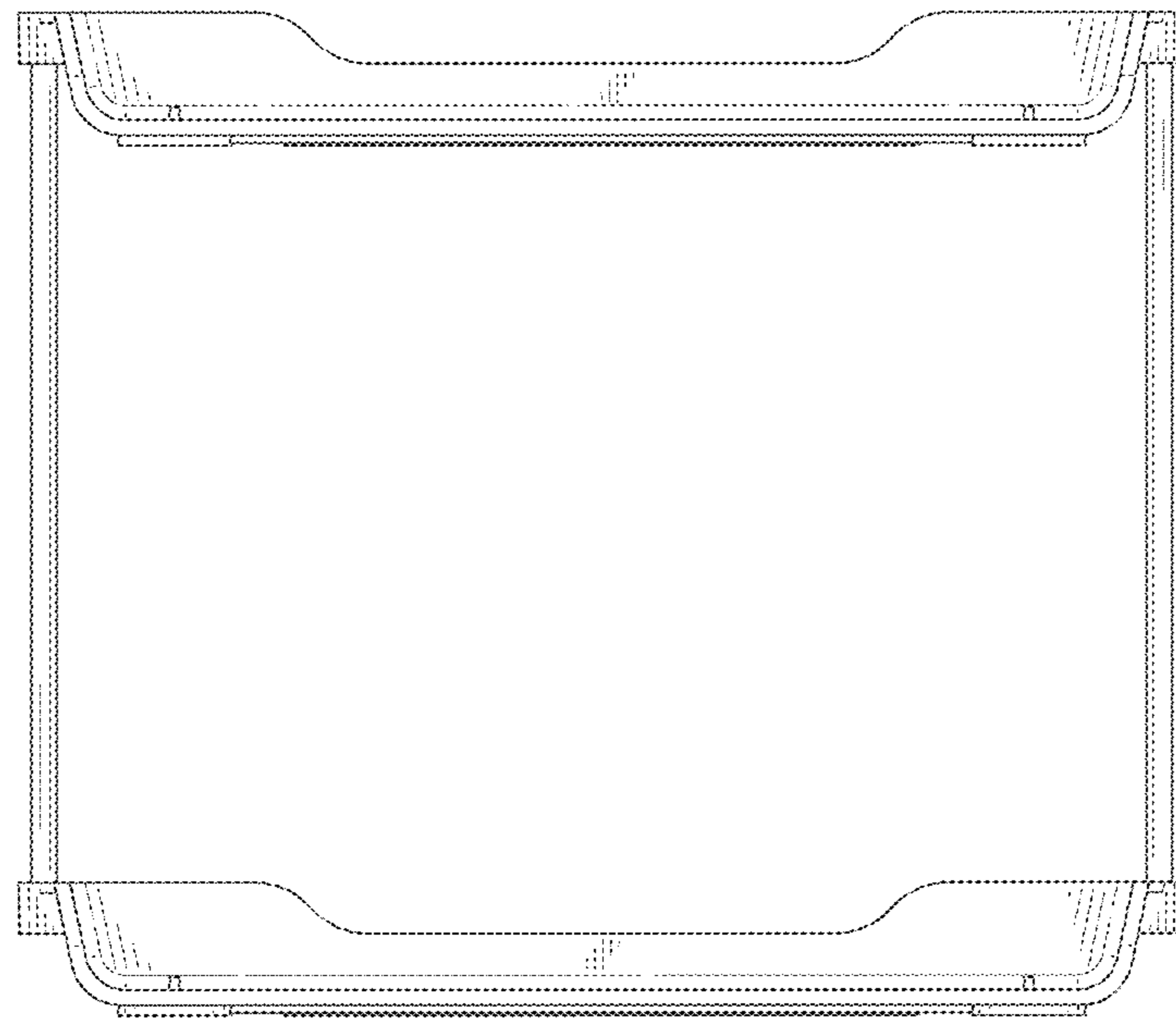


FIG. 3

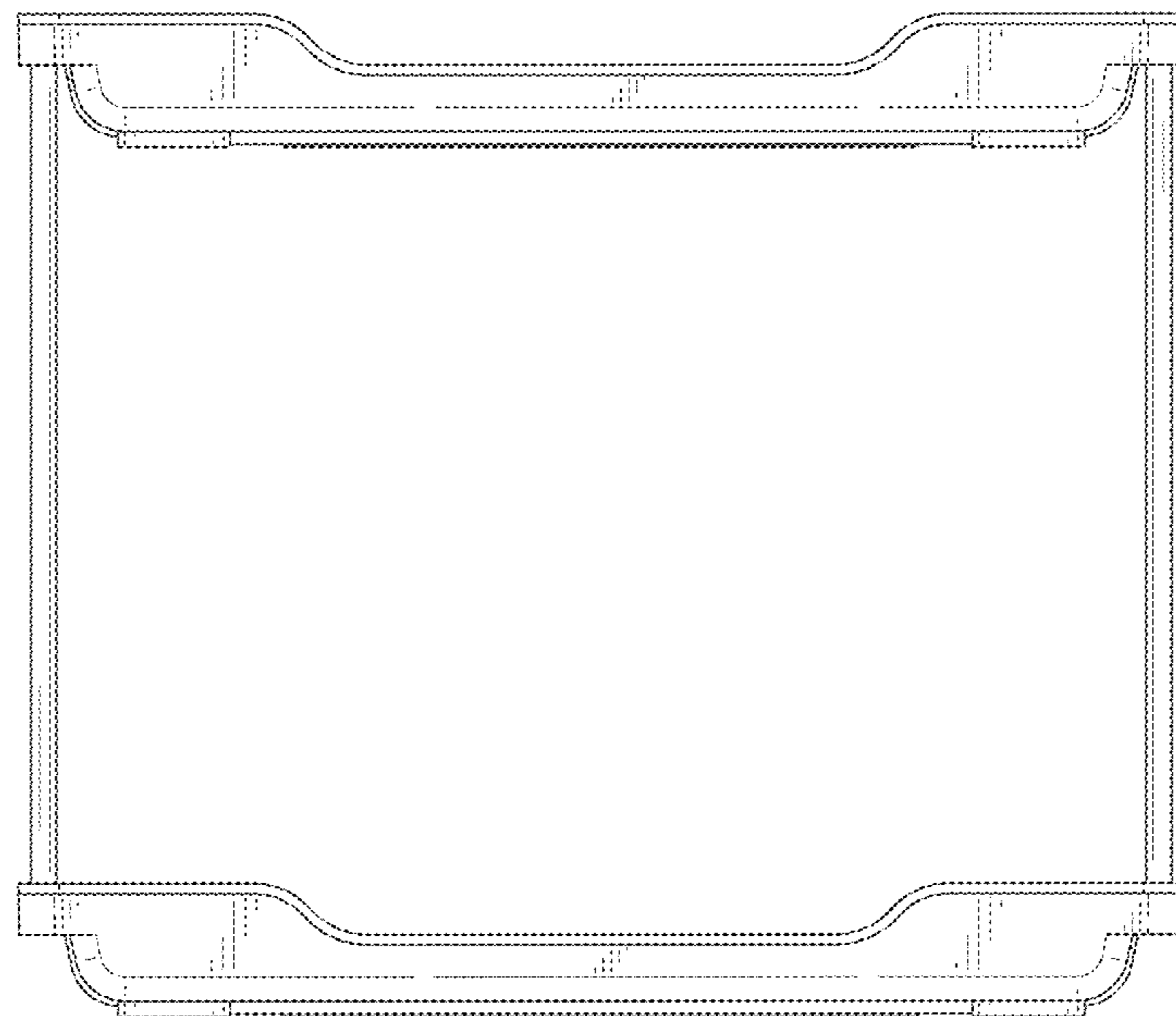


FIG. 4

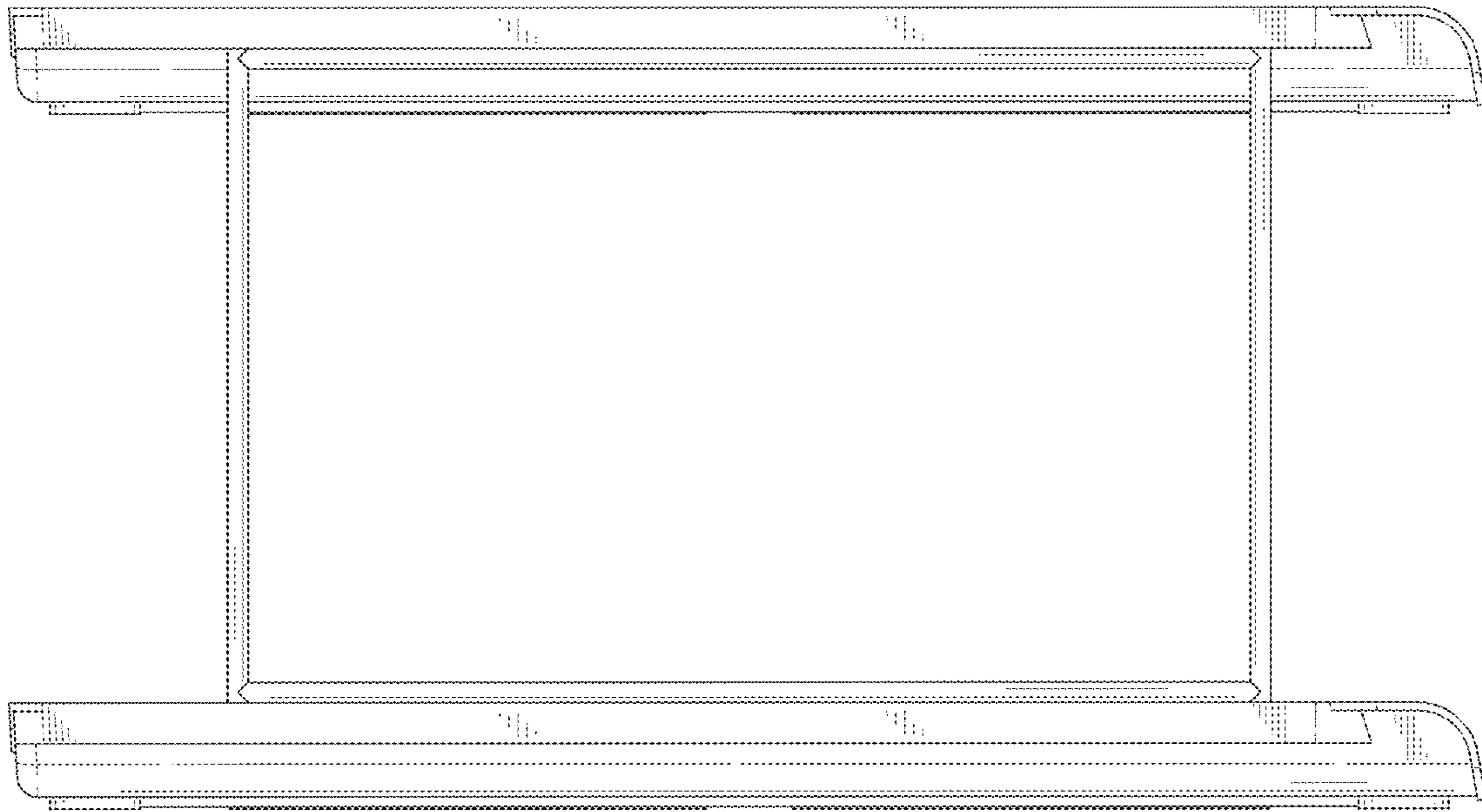


FIG. 5

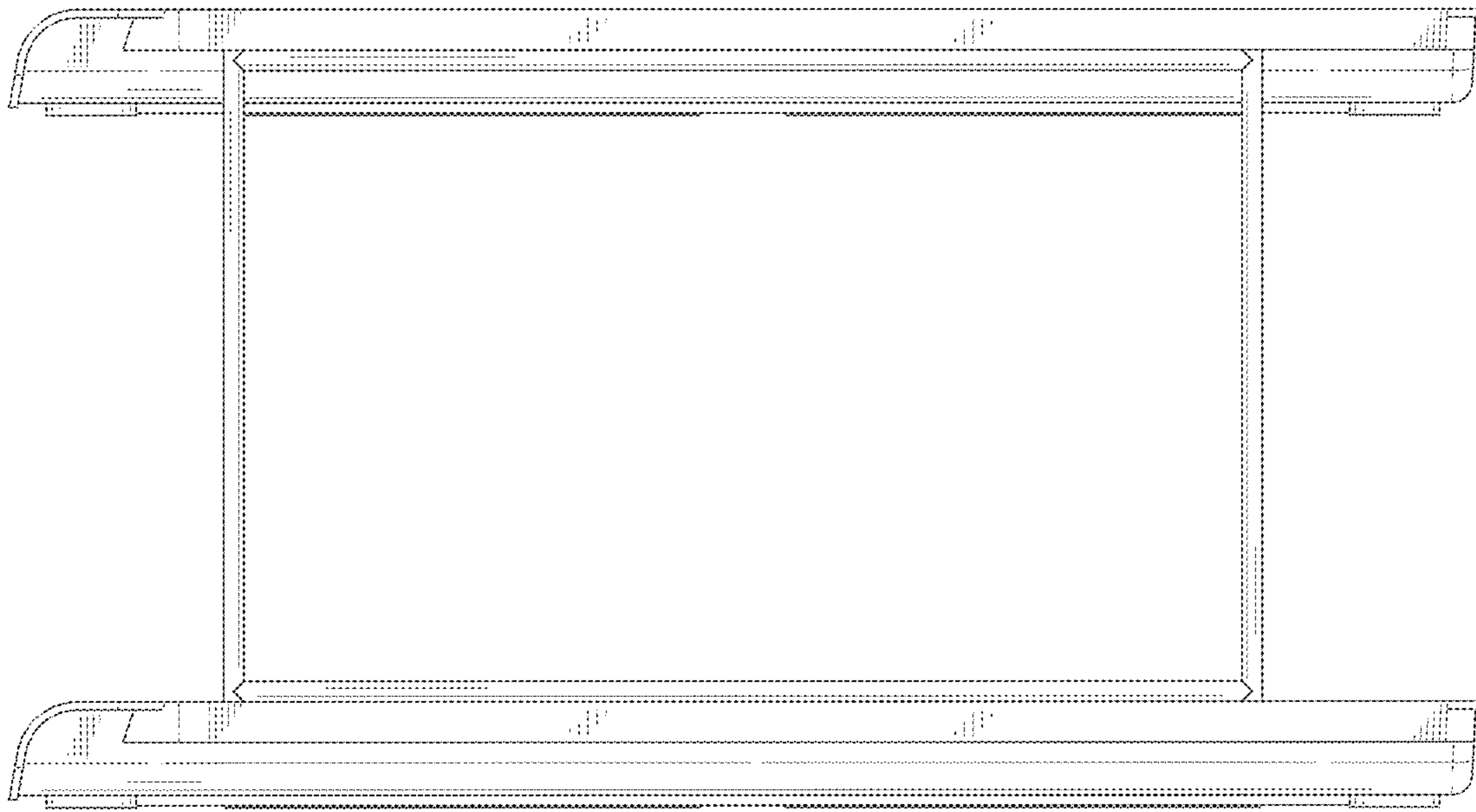


FIG. 6

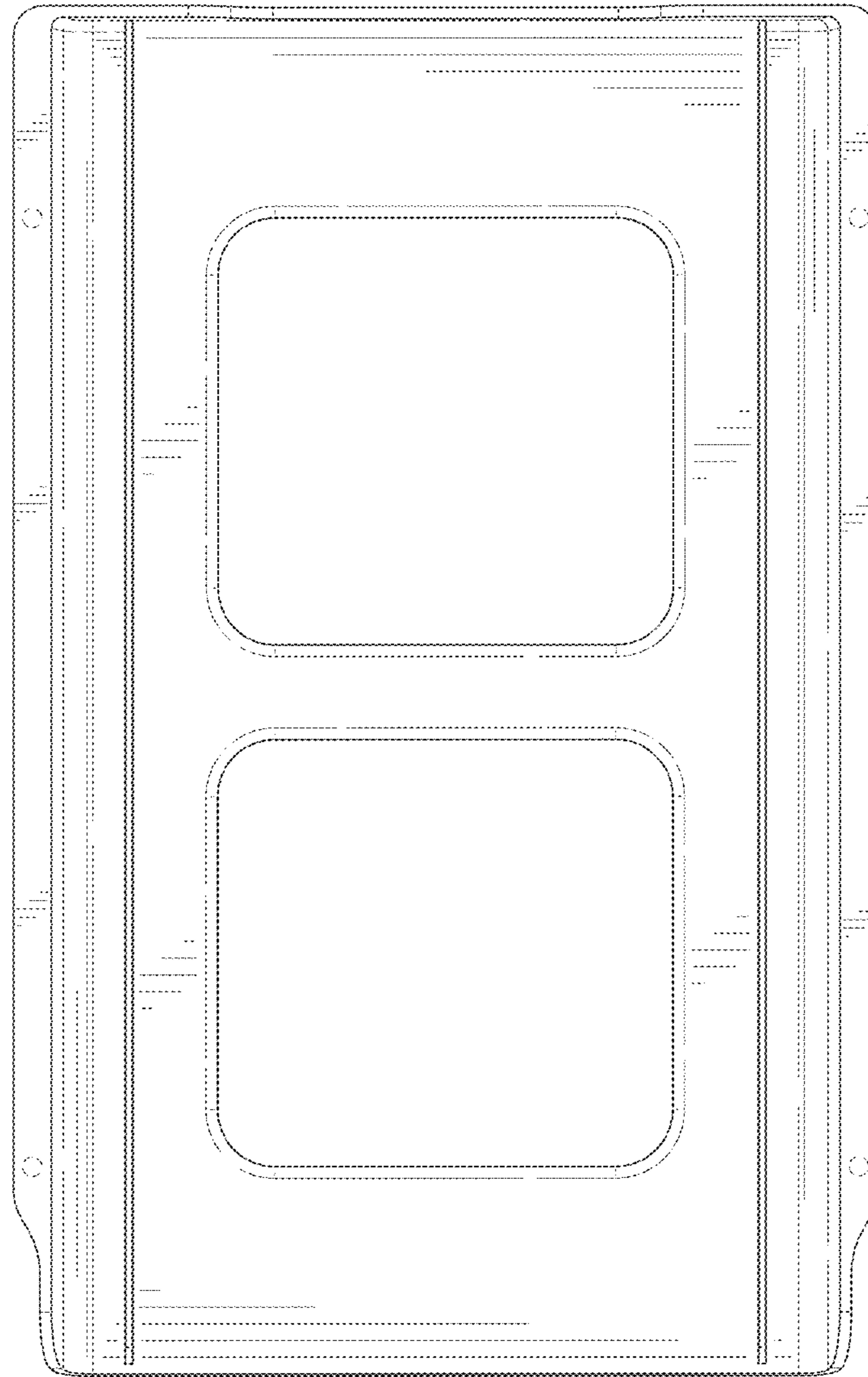


FIG. 7

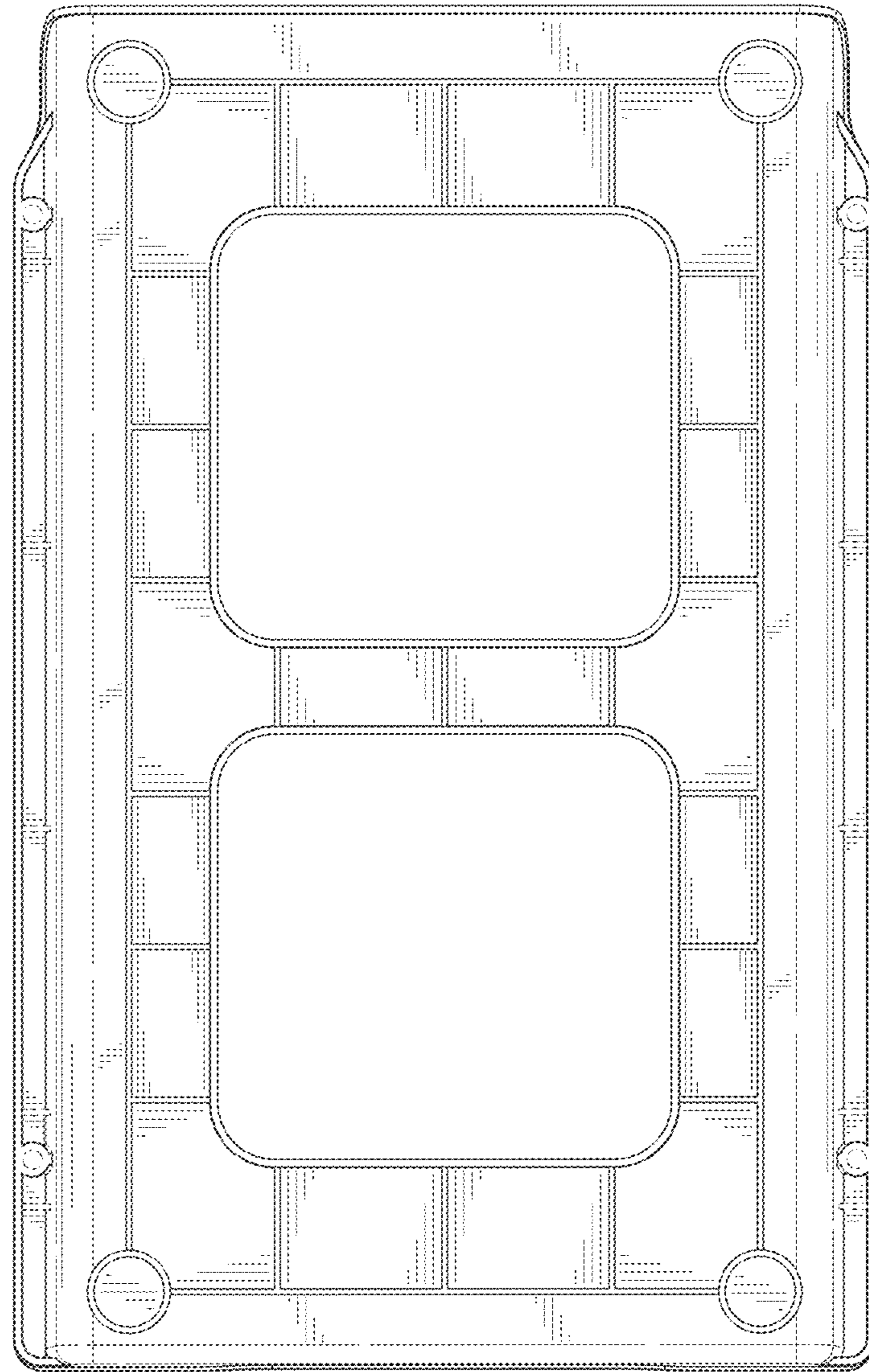


FIG. 8