



US00D981771S

(12) **United States Design Patent**
Jenkins

(10) **Patent No.:** **US D981,771 S**
(45) **Date of Patent:** **** Mar. 28, 2023**

(54) **CLOTHING VALET**

(71) Applicant: **Katherine Messervy Jenkins**, Denver, NC (US)

(72) Inventor: **Katherine Messervy Jenkins**, Denver, NC (US)

(**) Term: **15 Years**

(21) Appl. No.: **29/713,497**

(22) Filed: **Nov. 15, 2019**

2,937,758 A	5/1960	Tabb	
3,010,225 A *	11/1961	Hale	A47F 8/00 223/66
3,126,237 A	3/1964	Kirk	
3,205,614 A *	9/1965	Brosk	B42D 1/003 446/73
D202,503 S	10/1965	Hines	
D218,326 S	8/1970	Hyman et al.	
D218,370 S	8/1970	Benz	
3,710,507 A	1/1973	Poynter	
3,729,760 A	5/1973	Allsop	
4,062,144 A	12/1977	Holden et al.	
4,113,159 A	9/1978	Allsop	
4,206,567 A	6/1980	Cieslak	

(Continued)

Related U.S. Application Data

(63) Continuation of application No. 15/816,880, filed on Nov. 17, 2017, now abandoned, which is a continuation of application No. 14/481,316, filed on Sep. 9, 2014, now abandoned.

(51) **LOC (14) Cl.** **06-04**

(52) **U.S. Cl.**
USPC **D6/674.1**

(58) **Field of Classification Search**
USPC D6/316, 672, 674.1; D20/31-33; D19/8
CPC A47G 25/90; A47G 25/20; A47G 25/06;
A47G 25/443; A47G 25/0664; A47F
8/00; A47F 8/02; A47F 7/19; A47F 5/04;
A47F 7/24
See application file for complete search history.

(56) **References Cited**

U.S. PATENT DOCUMENTS

1,617,676 A *	2/1927	Dobbin	A47F 8/00 223/68
1,804,069 A	5/1931	Stover	
D85,750 S	12/1931	Grounds	
2,010,093 A	8/1935	Lazarus	
D131,540 S *	3/1942	Phillips	D21/621
D164,853 S	10/1951	Gross et al.	

Primary Examiner — Lauren R Calve

(74) *Attorney, Agent, or Firm* — Wiley Rein LLP

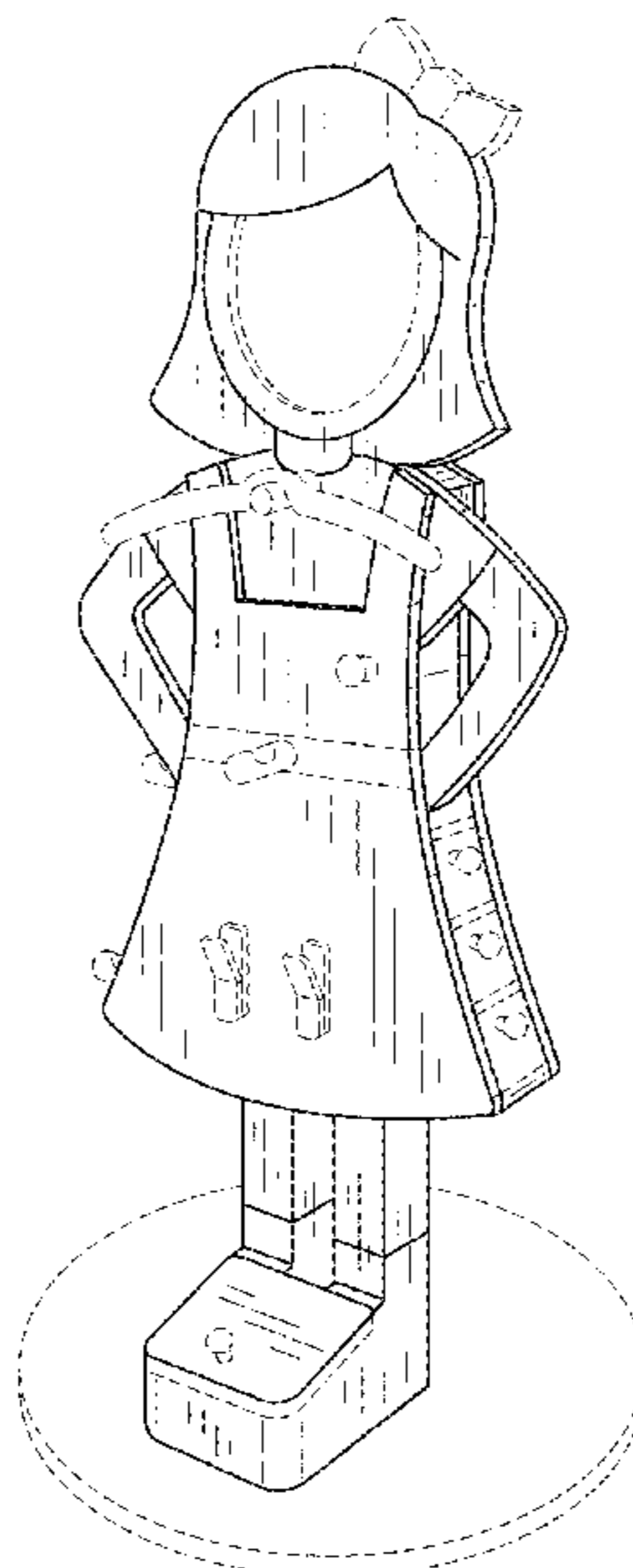
(57) **CLAIM**

The ornamental design for a clothing valet, as shown and described.

DESCRIPTION

FIG. 1 is a top, front, and left side perspective view of a clothing valet according to the novel design.
FIG. 2 is a front view of the clothing valet depicted in FIG. 1.
FIG. 3 is a rear view of the clothing valet depicted in FIG. 1.
FIG. 4 is a left side view of the clothing valet depicted in FIG. 1.
FIG. 5 is a right side view of the clothing valet depicted in FIG. 1.
FIG. 6 is a top view of the clothing valet depicted in FIG. 1; and,
FIG. 7 is a bottom view of the clothing valet depicted in FIG. 1.
The broken lines included in the drawings depict elements of the clothing valet that are not part of the claimed design.

1 Claim, 7 Drawing Sheets



(56)

References Cited

U.S. PATENT DOCUMENTS

4,611,997	A *	9/1986	Priore	G09B 19/00 434/236
4,739,911	A *	4/1988	Quinn	A47F 8/02 223/66
4,740,187	A	4/1988	Rasmussen et al.	
5,127,528	A	7/1992	Cone	
D345,679	S	4/1994	Steinbach	
5,318,469	A	6/1994	Unalp et al.	
5,348,165	A	9/1994	Pomerleau	
D402,132	S *	12/1998	Gardner	D6/674.1
D426,712	S *	6/2000	Leon	D21/625
6,309,016	B1	10/2001	Aloisi	
6,601,326	B1 *	8/2003	Bublitz	G09F 19/08 40/418
D513,563	S	1/2006	Shaw	
D523,485	S *	6/2006	Massengale	D20/31
D650,444	S *	12/2011	Farver	D20/31
D806,453	S *	1/2018	Viveiros	D6/674.1
D840,727	S *	2/2019	Ruiz	D6/674.1
2003/0146250	A1	8/2003	Dudley	
2007/0241071	A1	10/2007	Antonioni et al.	
2007/0278365	A1	12/2007	Jackson	
2010/0176762	A1	7/2010	Daymude et al.	
2017/0231405	A1 *	8/2017	Viveiros	A47G 25/0671 223/120

* cited by examiner

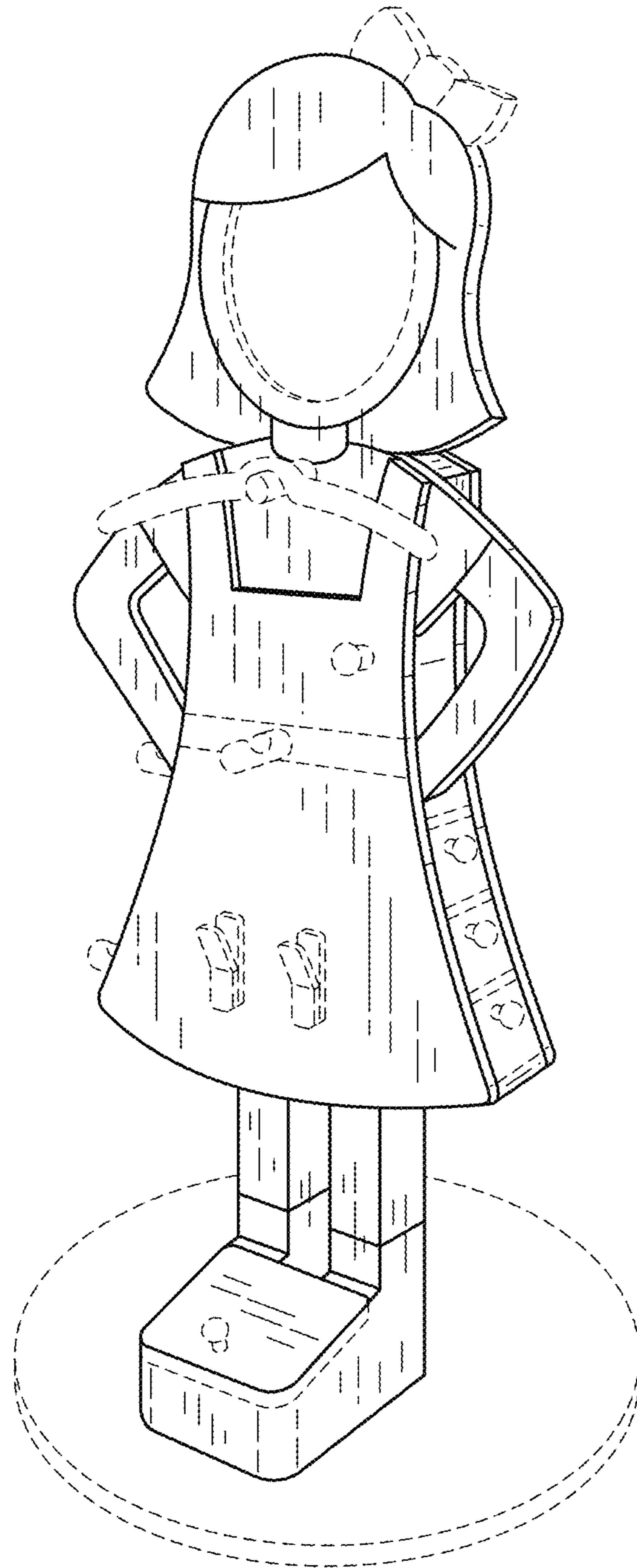


FIG.1

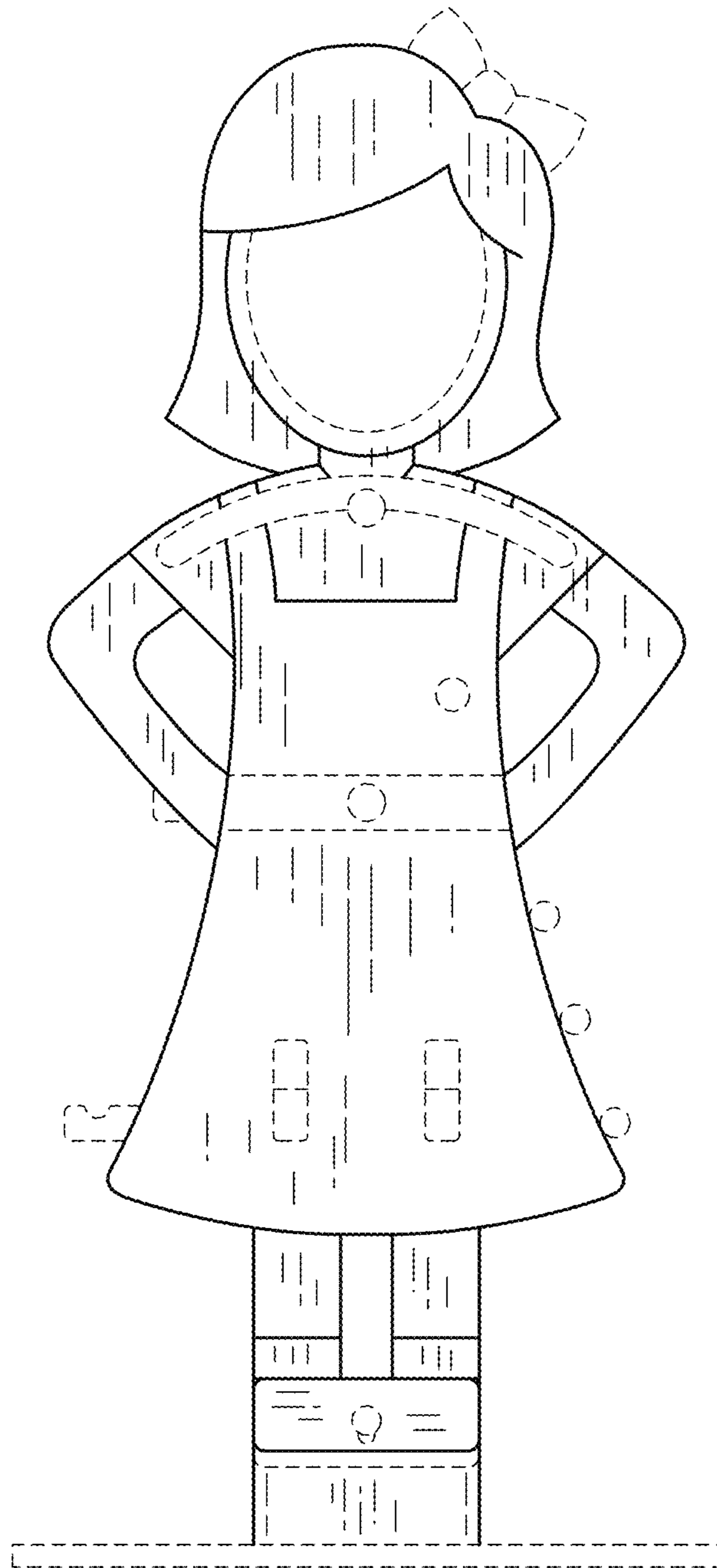


FIG.2

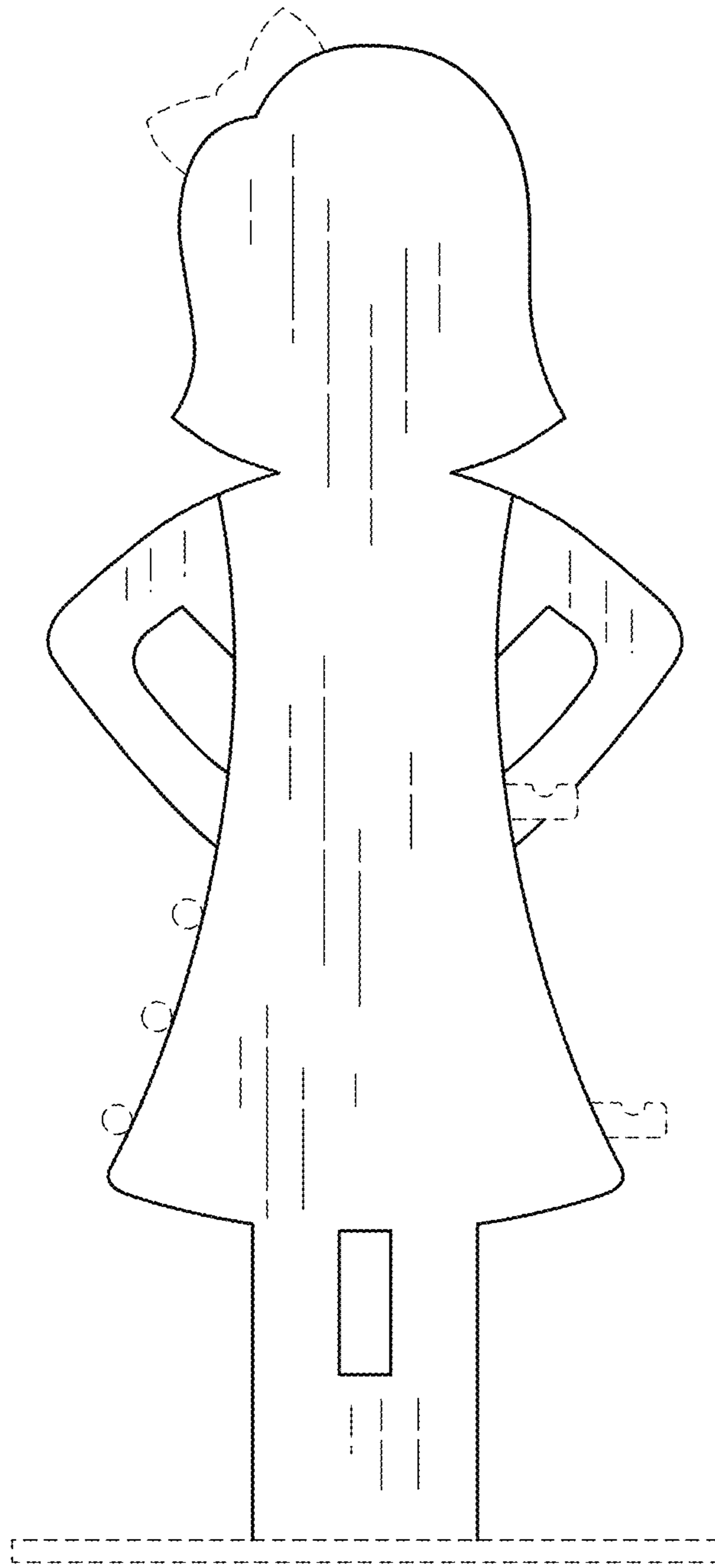


FIG.3

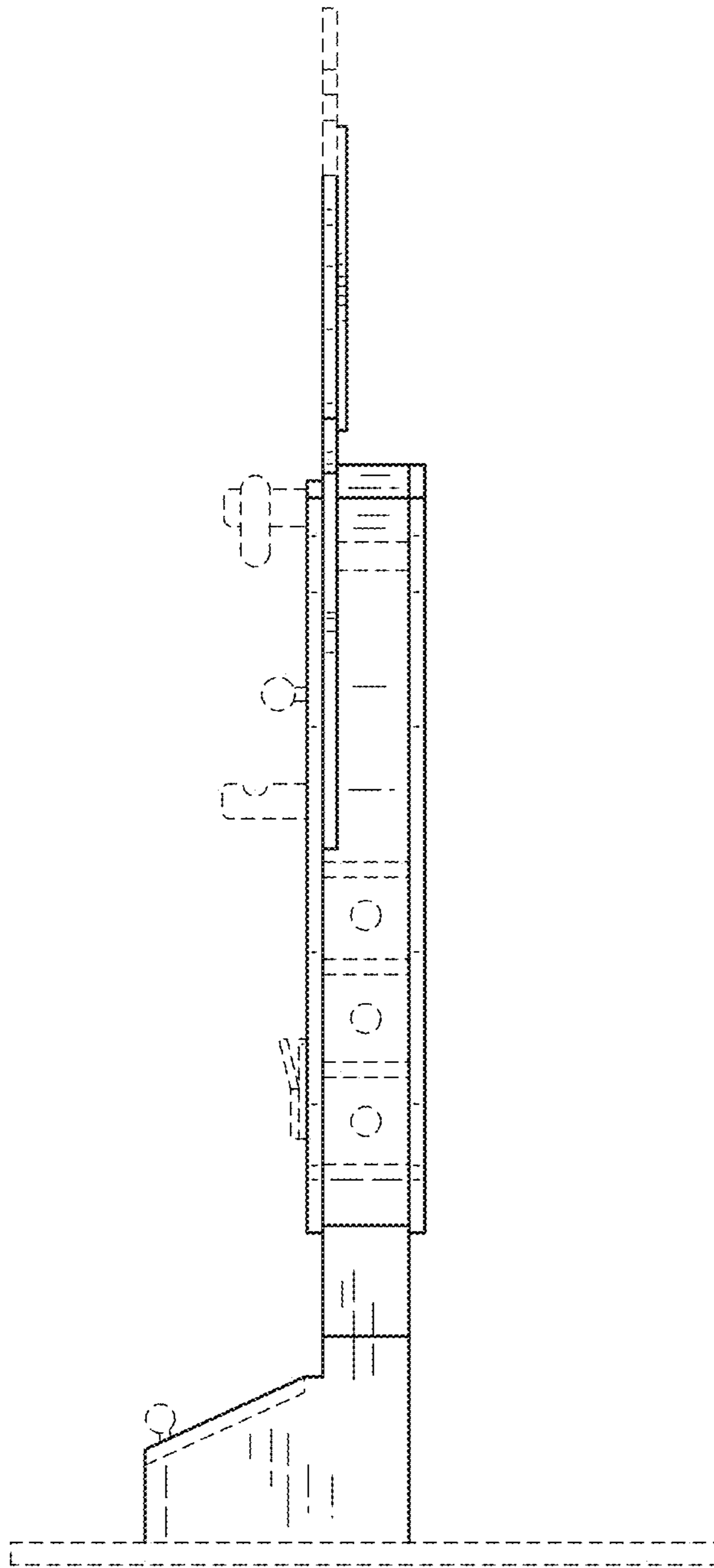


FIG.4

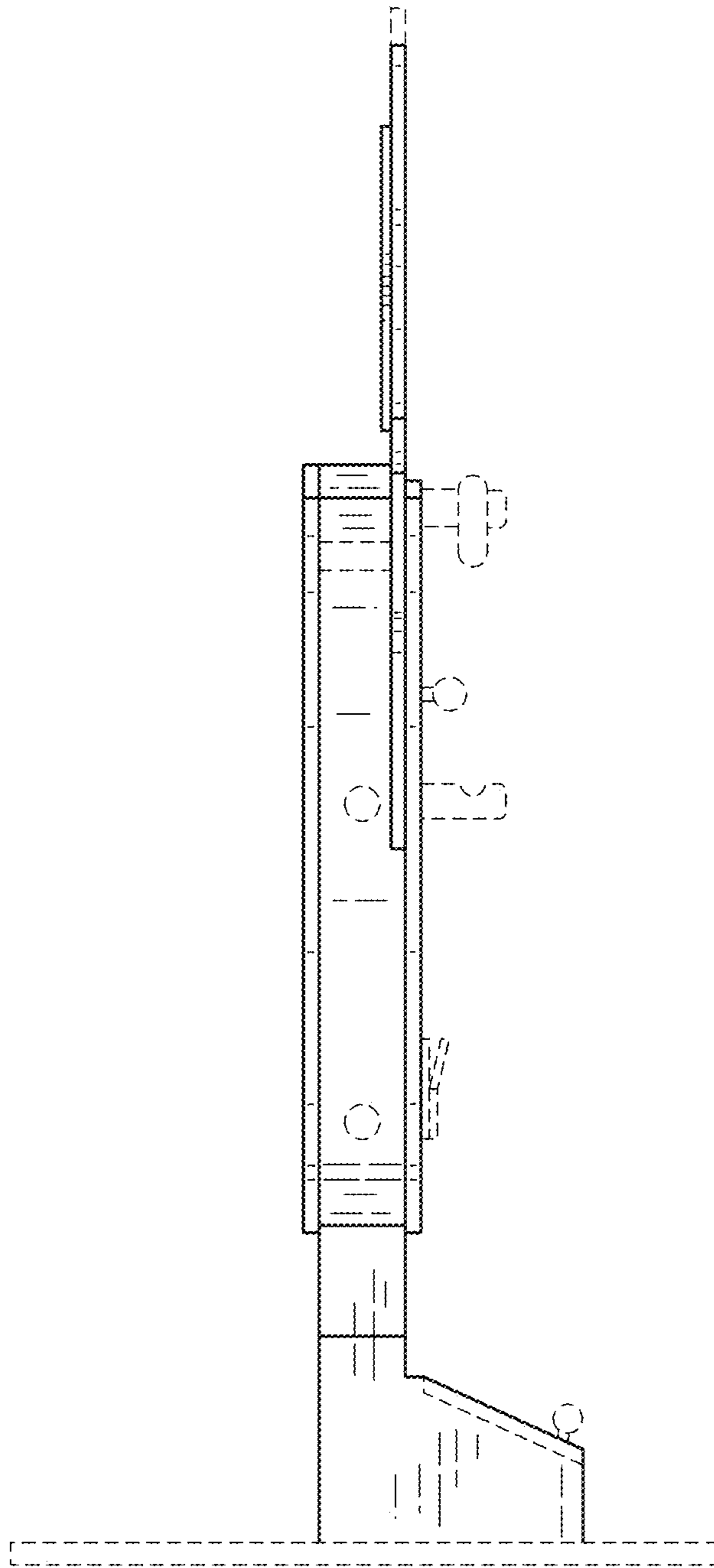


FIG.5

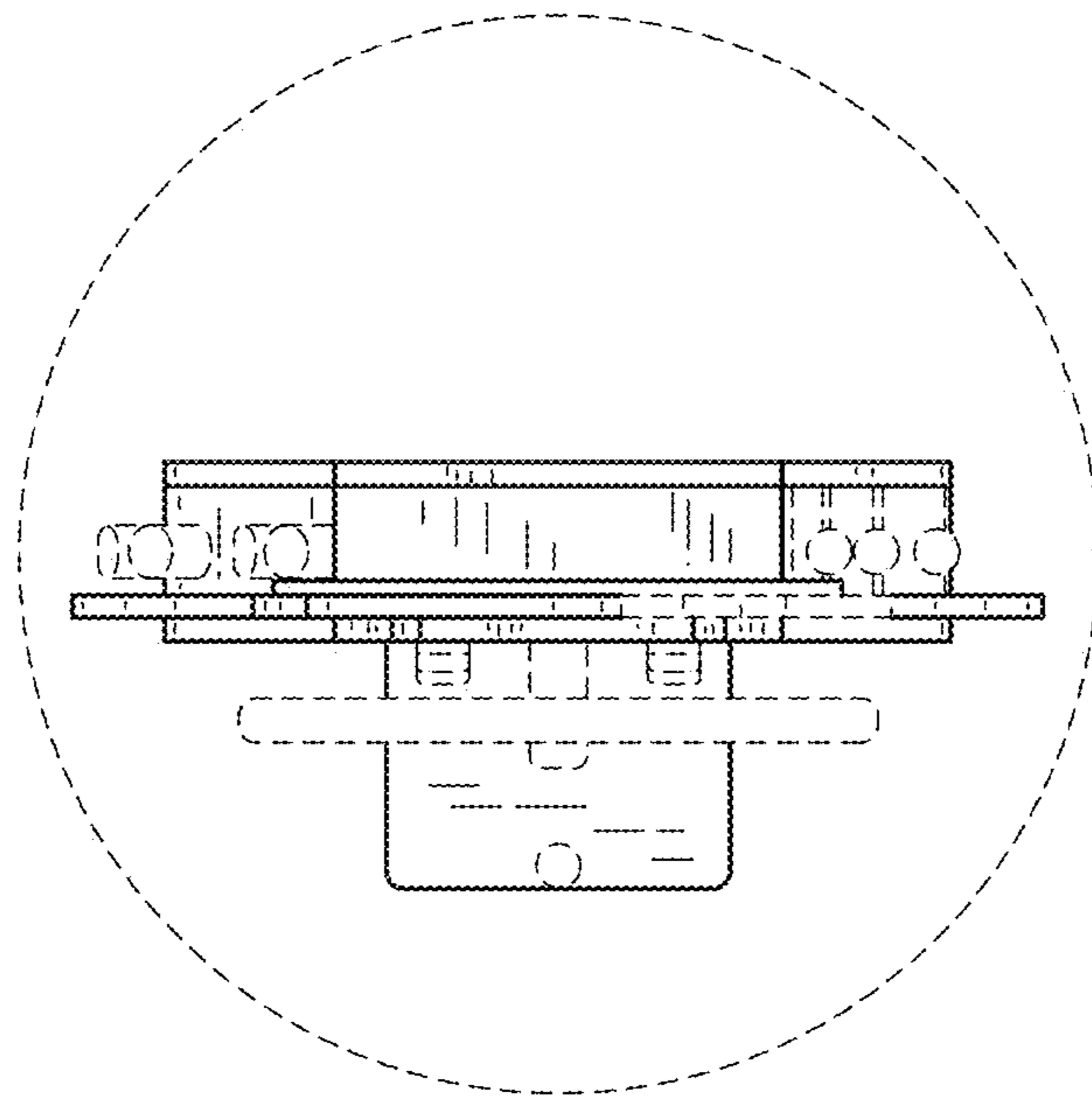


FIG.6

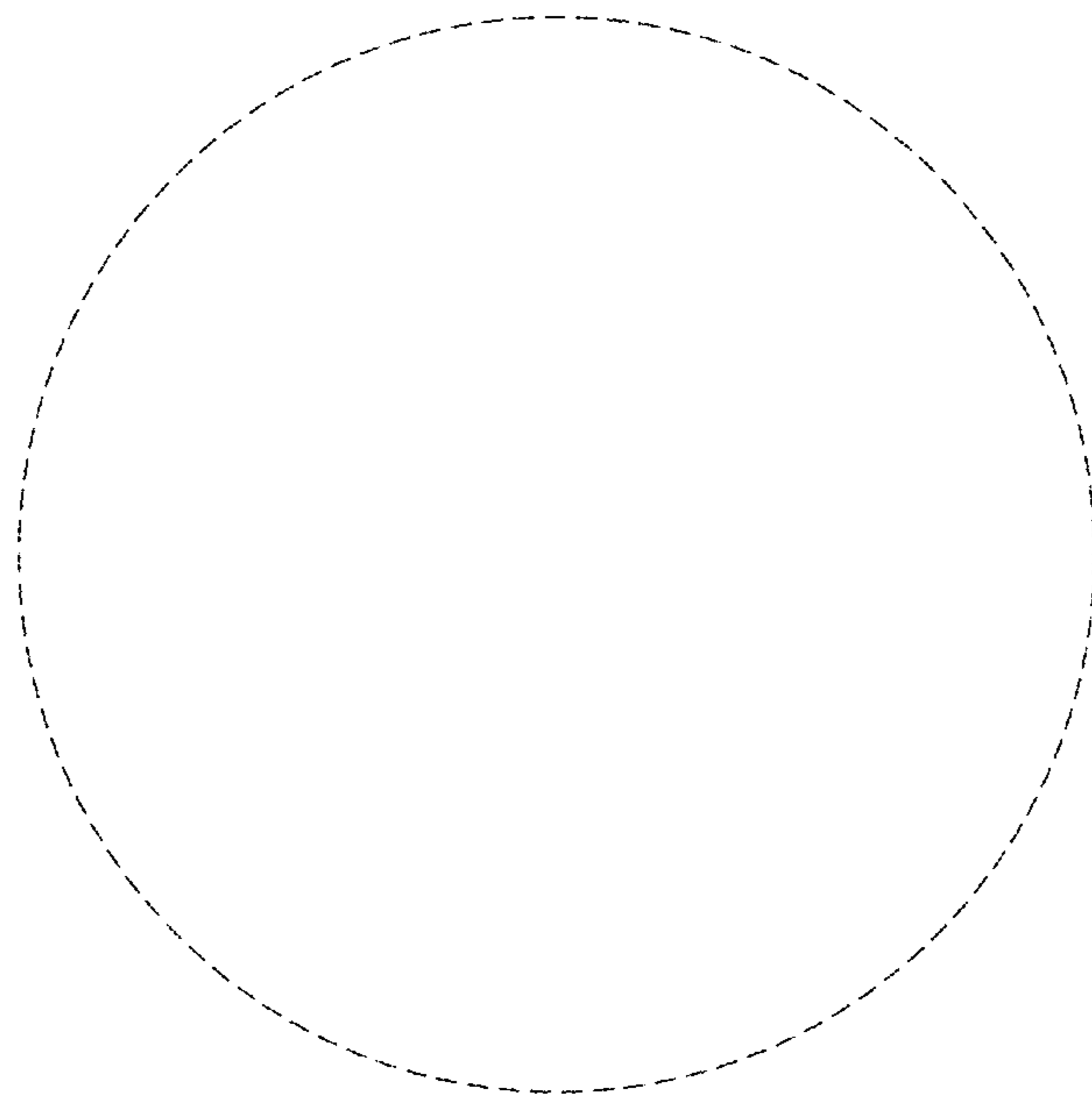


FIG.7