



US00D981769S

(12) **United States Design Patent** (10) **Patent No.:** **US D981,769 S**
Xiao (45) **Date of Patent:** **** Mar. 28, 2023**

(54) **TOOL CABINET**

(71) Applicant: **Henan Aobabo Technology Co., Ltd.**,
Luoyang (CN)

(72) Inventor: **Jian Xiao**, Henan (CN)

(**) Term: **15 Years**

(21) Appl. No.: **29/839,186**

(22) Filed: **May 19, 2022**

(51) **LOC (14) Cl.** **06-04**

(52) **U.S. Cl.**
USPC **D6/671.1**

(58) **Field of Classification Search**
USPC D6/657, 658, 663, 664, 671, 671.1,
D6/671.2, 671.3, 671.4, 672, 673, 674,
D6/675, 689
CPC A47B 43/003; A47B 43/04; A47B 55/00;
A47B 61/00; A47B 63/00; A47B 67/02;
A47B 67/04; A47B 87/00; A47B
2210/00; A47B 2220/00
See application file for complete search history.

(56) **References Cited**

U.S. PATENT DOCUMENTS

D599,136 S *	9/2009	Jeup	D6/671.1
D658,217 S *	4/2012	Wenning	D15/127
D668,888 S *	10/2012	Key	D6/671
D711,166 S *	8/2014	Anderson	D6/671
D730,661 S	6/2015	Brunner		
D779,858 S *	2/2017	Conn	D6/669
D811,132 S *	2/2018	Ni	D6/671.1
D838,527 S	1/2019	Liu		
D868,508 S	12/2019	Sprang et al.		
D910,345 S *	2/2021	Li	D6/671.1
D912,442 S *	3/2021	Li	D6/671.1
D939,868 S *	1/2022	Chen	D6/671.1
D942,782 S *	2/2022	Li	D6/671.1
D948,251 S *	4/2022	Li	D6/671.1

D957,169 S *	7/2022	Xiao	D6/671
2009/0102332 A1 *	4/2009	Lear	E05C 9/043 292/336.3
2010/0237756 A1 *	9/2010	Weinstein	A47B 96/00 312/228.1

OTHER PUBLICATIONS

Manhattan, posted at amazon.com, posted on Nov. 13, 2018, site visited Jul. 22, 2022. online, available from internet: <https://www.amazon.com/Manhattan-Comfort-Fortress-Collection-Convenient/dp/B073R4PFYJ/> (Year: 2018).*
Reemoon, posted at amazon.com, posted on Jul. 15, 2022, site visited Jul. 22, 2022. online, available from internet: <https://www.amazon.com/REEMOON-Adjustable-Lockable-Assembly-Required/dp/BOB6N7NLBT/> (Year: 2022).*

* cited by examiner

Primary Examiner — Catherine Ho
(74) *Attorney, Agent, or Firm* — Che-Yang Chen; Law Office of Michael Chen

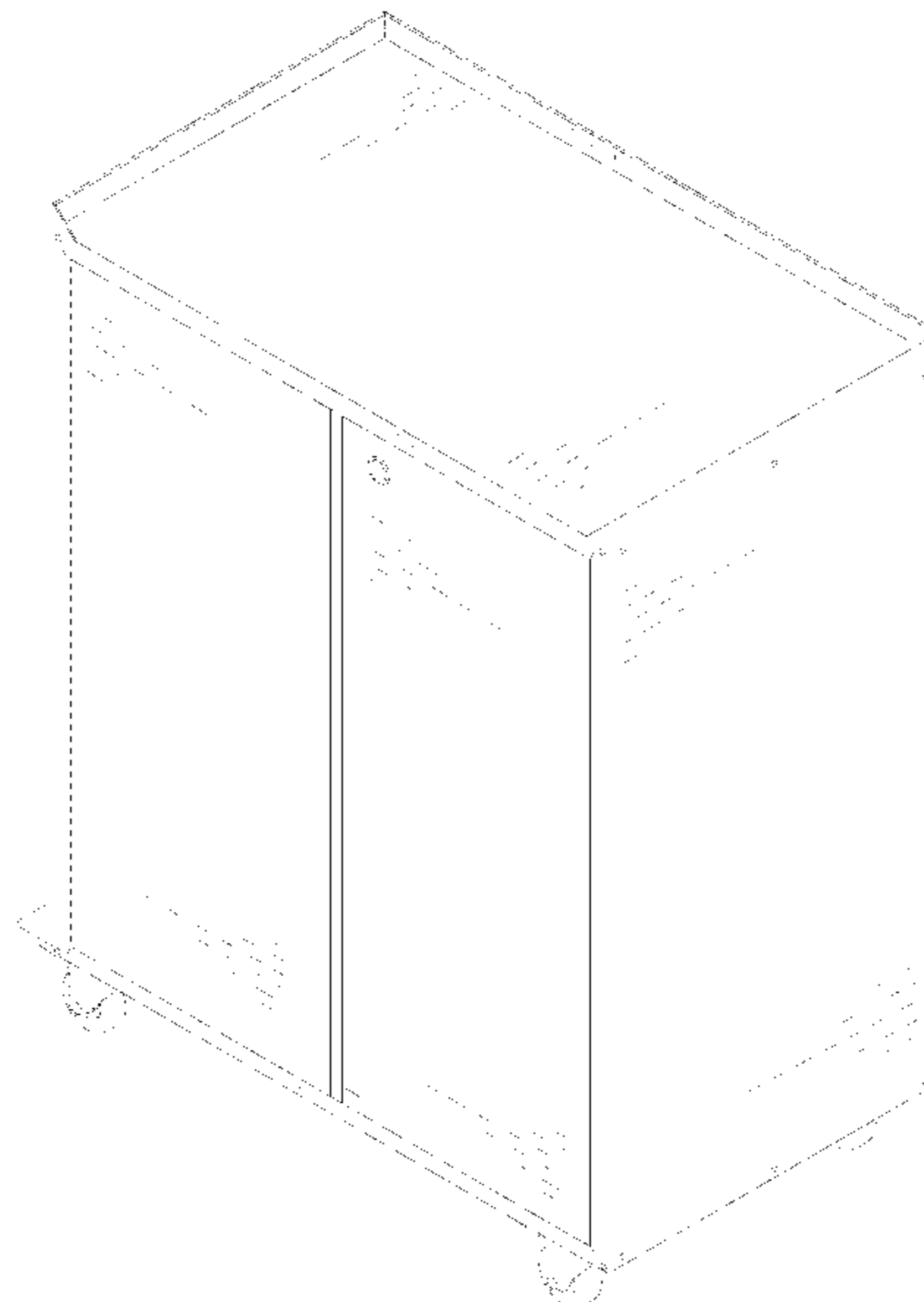
(57) **CLAIM**

The ornamental design for a tool cabinet, as shown and described.

DESCRIPTION

FIG. 1 is a top perspective view of a tool cabinet showing my new design;
FIG. 2 is a bottom perspective view thereof;
FIG. 3 is a front elevational view thereof;
FIG. 4 is a rear elevational view thereof;
FIG. 5 is a left side elevational view thereof;
FIG. 6 is a right side elevational view thereof;
FIG. 7 is a top plan view thereof; and,
FIG. 8 is a bottom plan view thereof.
The broken lines shows portions of the article that forms no part of the claimed design.

1 Claim, 8 Drawing Sheets



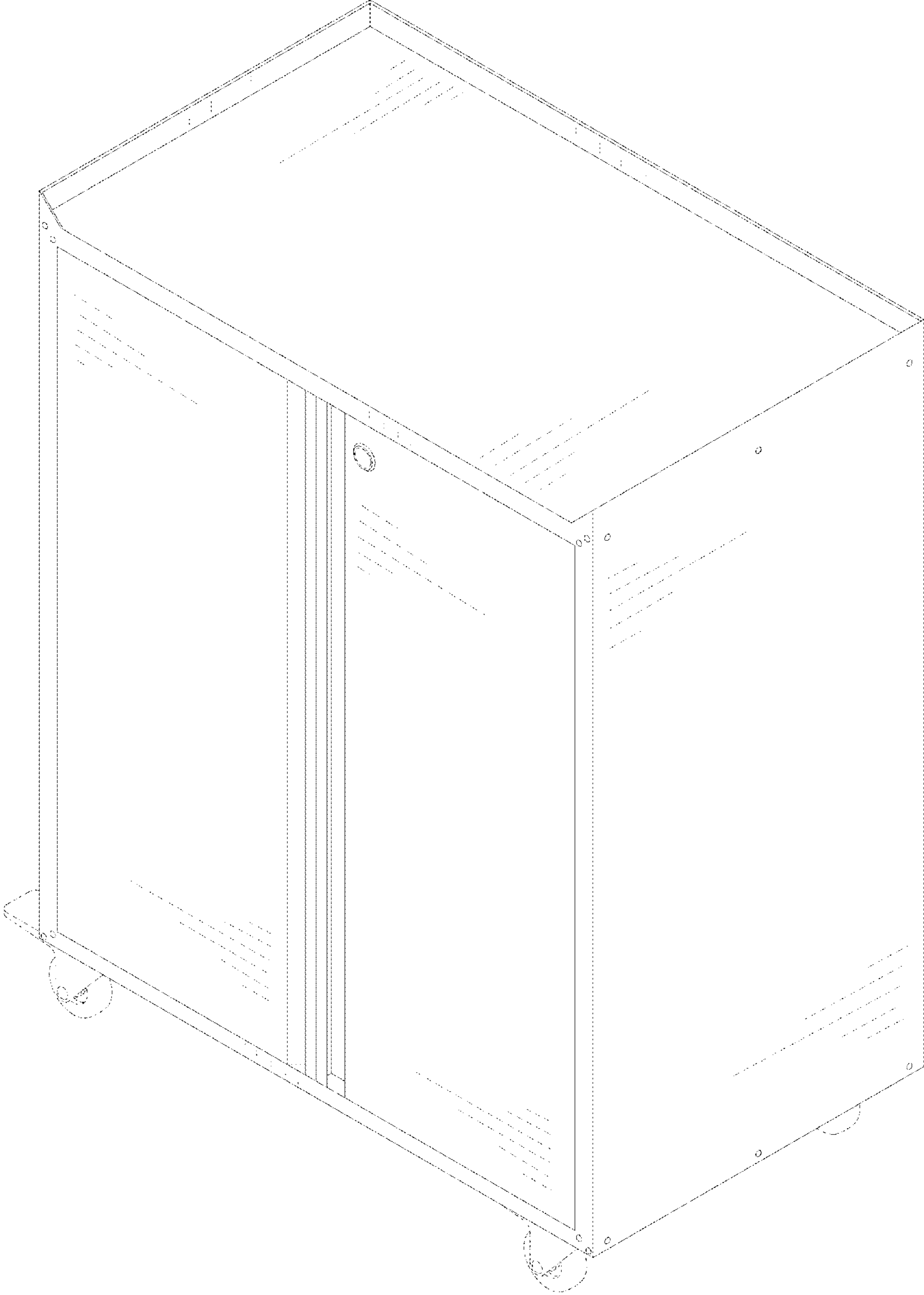


FIG.1

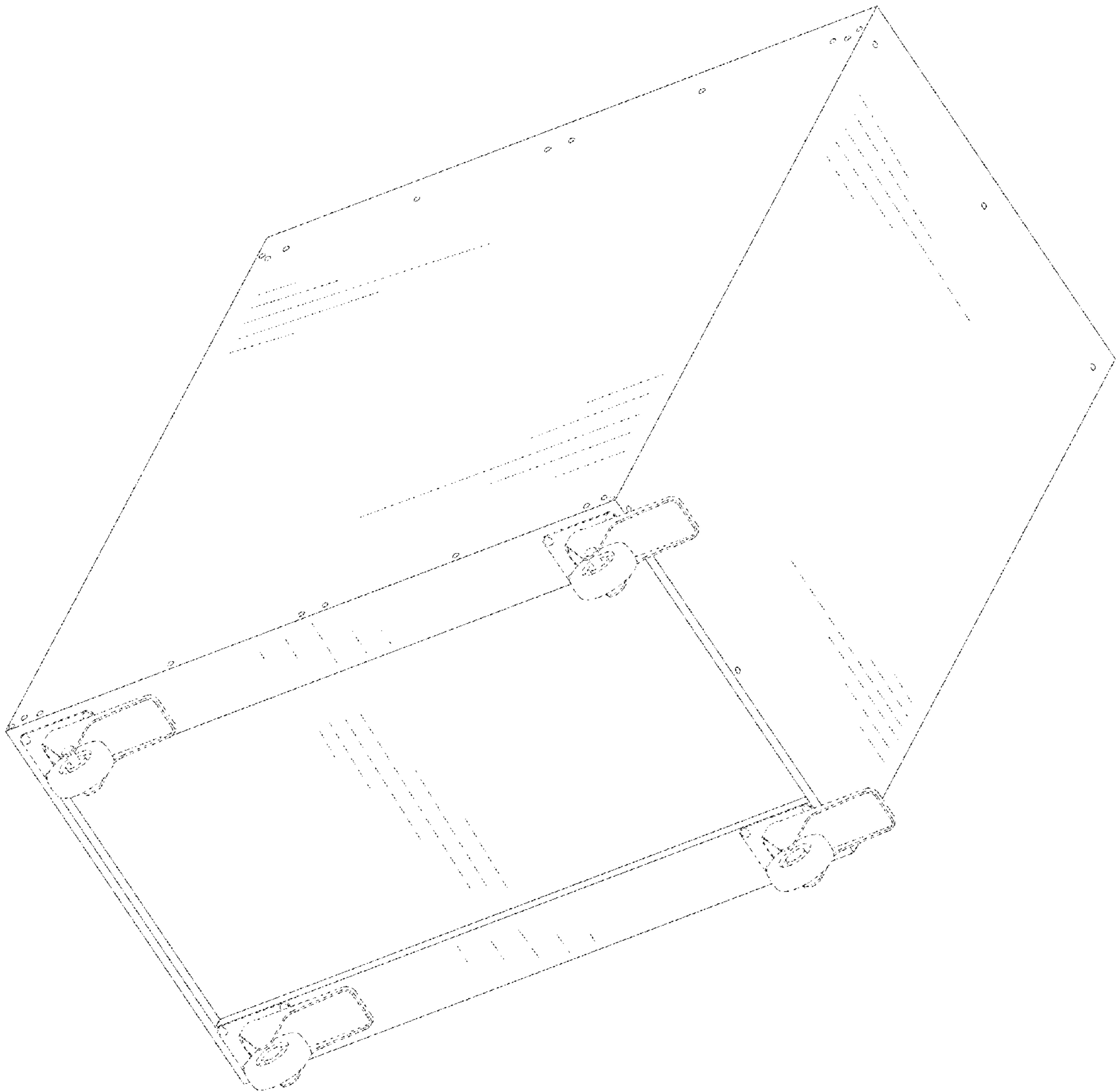


FIG. 2

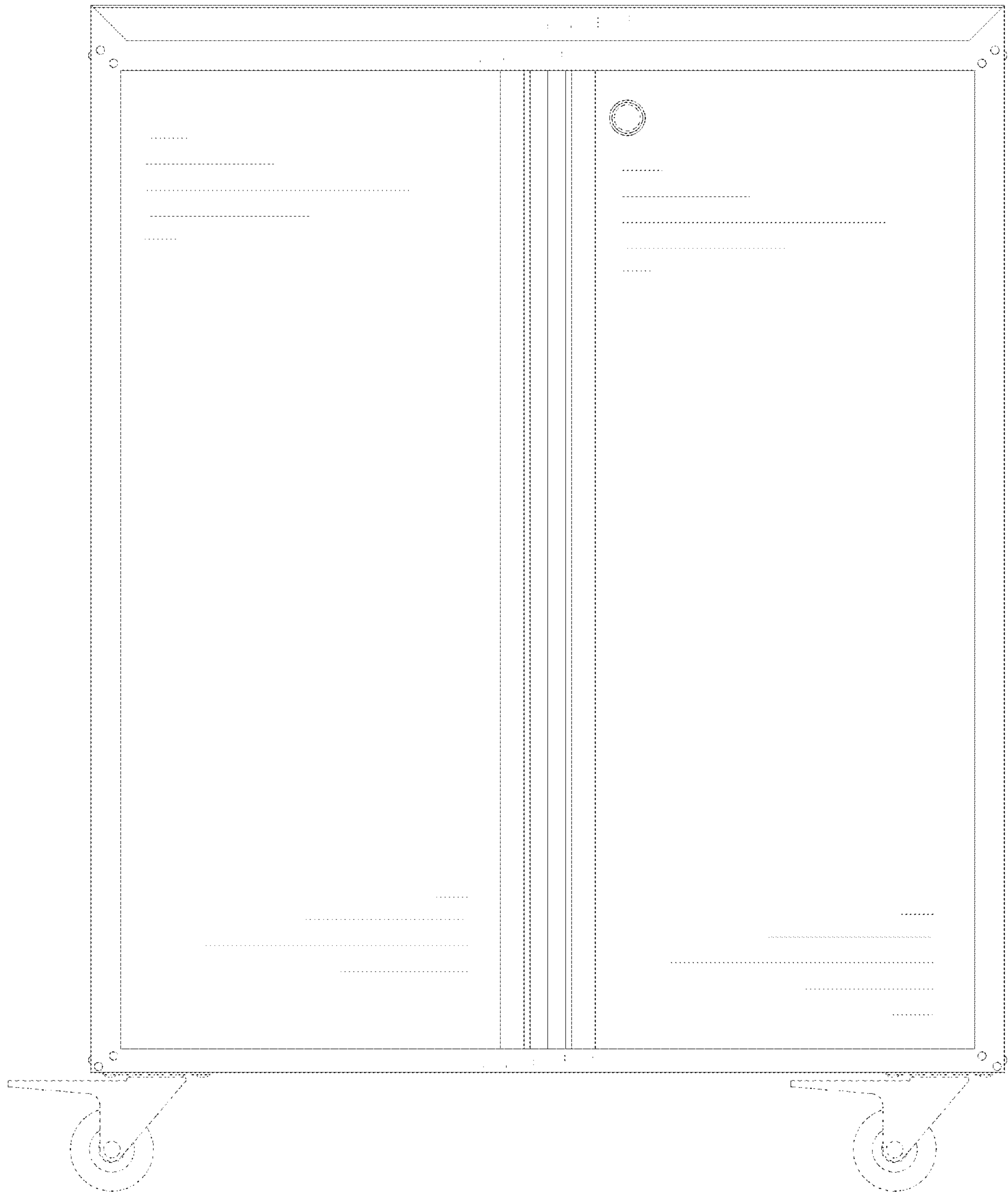


FIG. 3



FIG. 4

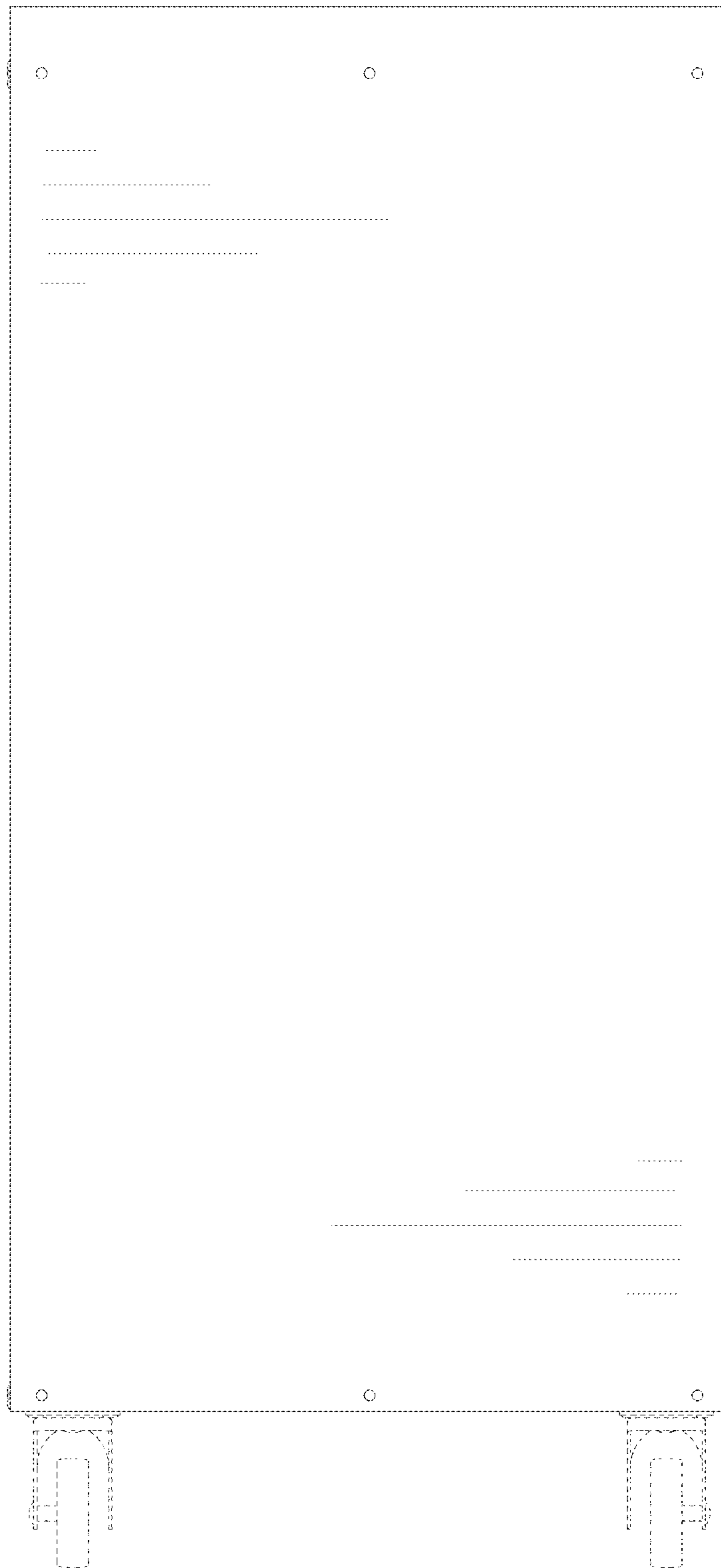


FIG. 5

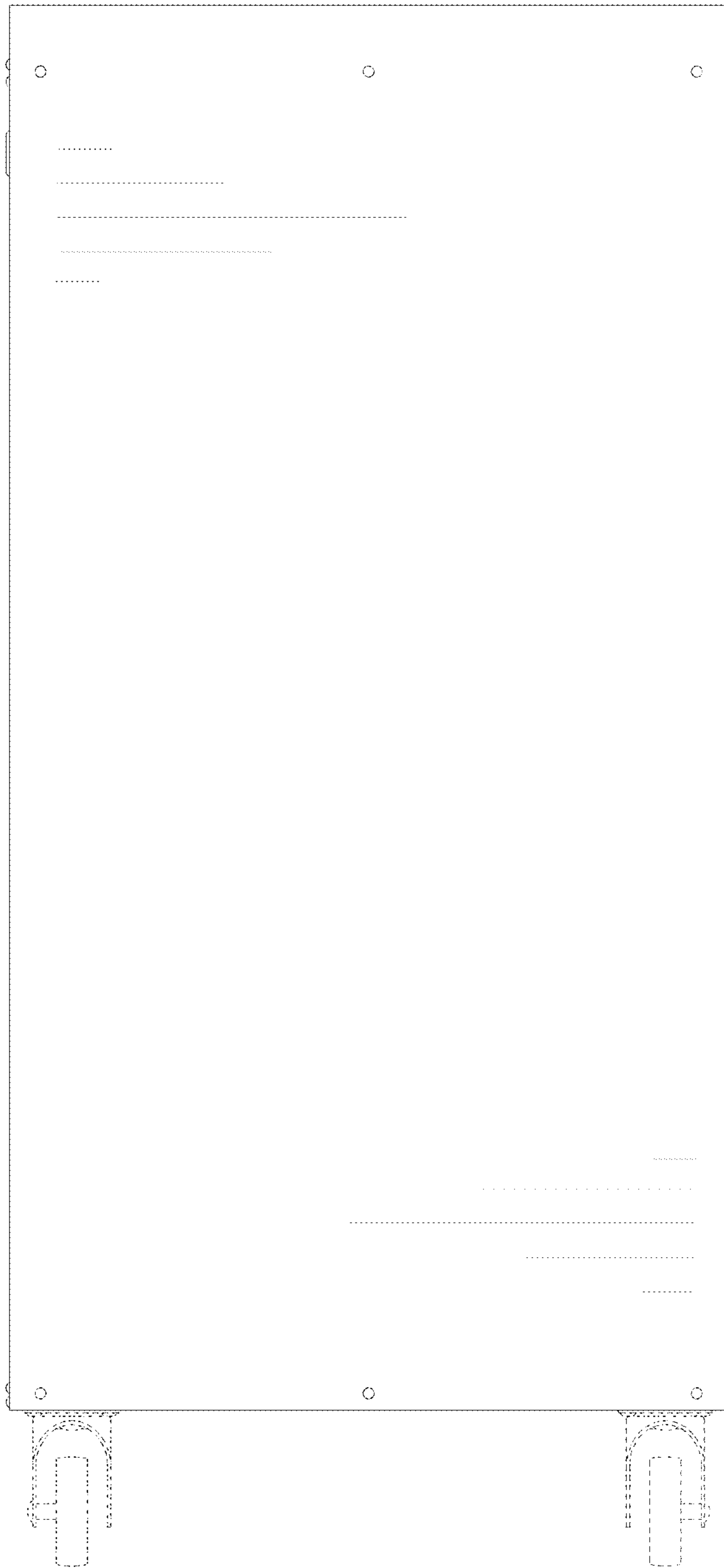


FIG. 6

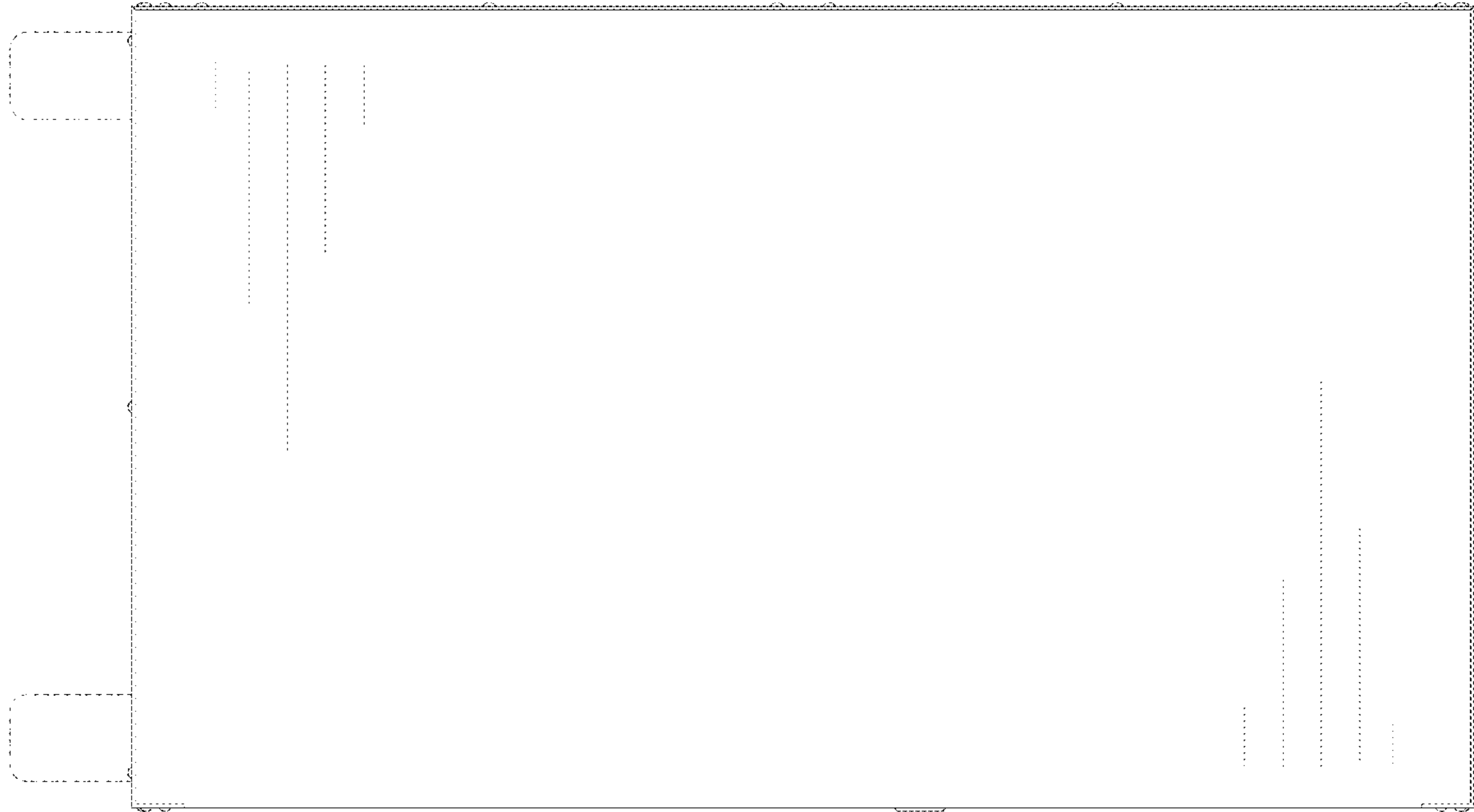


FIG. 7

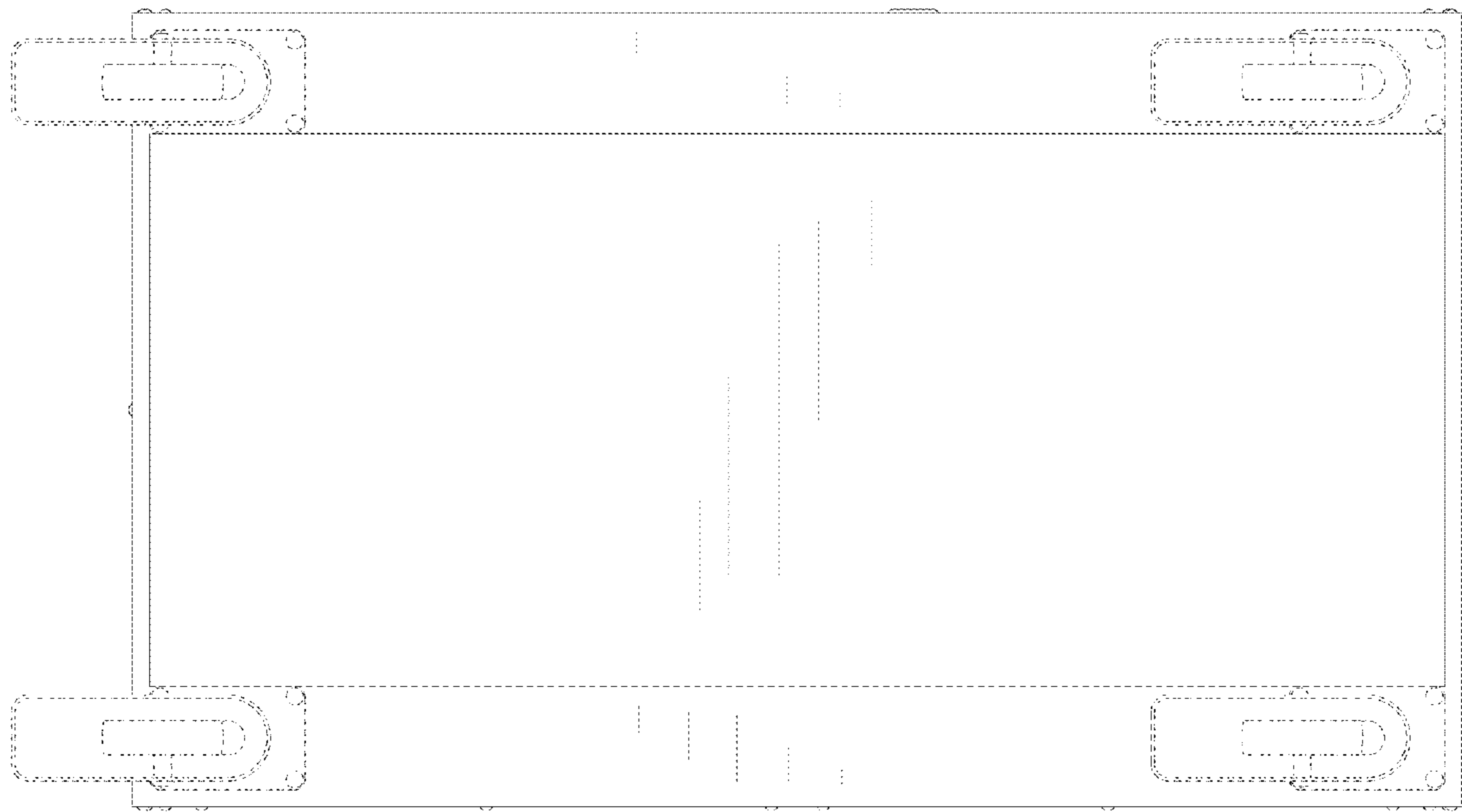


FIG. 8