



US00D981766S

(12) **United States Design Patent**
Qiu

(10) **Patent No.:** **US D981,766 S**
(45) **Date of Patent:** **** Mar. 28, 2023**

- (54) **COMPUTER DESK**
- (71) Applicant: **Shaoqiang Qiu**, Quanzhou (CN)
- (72) Inventor: **Shaoqiang Qiu**, Quanzhou (CN)
- (**) Term: **15 Years**
- (21) Appl. No.: **29/852,215**
- (22) Filed: **Sep. 5, 2022**
- (51) **LOC (14) Cl.** **06-03**
- (52) **U.S. Cl.**
USPC **D6/641**
- (58) **Field of Classification Search**
USPC D6/334, 335, 349, 353, 355, 641, 642,
D6/651, 652, 655, 655.1, 655.14, 655.21,
D6/656, 685, 686, 688, 688.1, 688.11,
D6/688.19, 688.21, 691, 691.1, 691.3,
D6/691.8, 691.9, 708, 708.1, 708.13,
D6/708.14, 709, 709.1, 709.15
CPC A47B 3/00; A47B 3/002; A47B 2003/008;
A47B 5/04; A47B 7/00; A47B 19/08;
A47B 21/00; A47B 83/02; A47B
21/0314; A47B 2021/0335; A47C 4/021;
A47C 11/00; A47C 13/00
See application file for complete search history.

- D960,612 S * 8/2022 Iwasaki D6/656.16
- D961,962 S * 8/2022 Hu D6/655
- D965,349 S * 10/2022 Cheng D6/656.17
- 2015/0047538 A1 * 2/2015 Ergun A47B 9/02
248/188.5

(Continued)

OTHER PUBLICATIONS

Kenxen End Table Desk, retrieved from amazon.com, posting date May 17, 2021, online, retrieved Dec. 13, 2022, URL:https://www.amazon.com/Kenxen-Computer-Notebook-Workstation-80cm%C3%9740cm31-5%C3%9715-7inch/dp/B0953VXJFT?th=1 (Year: 2021).*

(Continued)

Primary Examiner — Barbara Fox
Assistant Examiner — Michelle Marquart Christeon
(74) *Attorney, Agent, or Firm* — Jeenam Park

(57) **CLAIM**

The ornamental design for a computer desk, as shown and described.

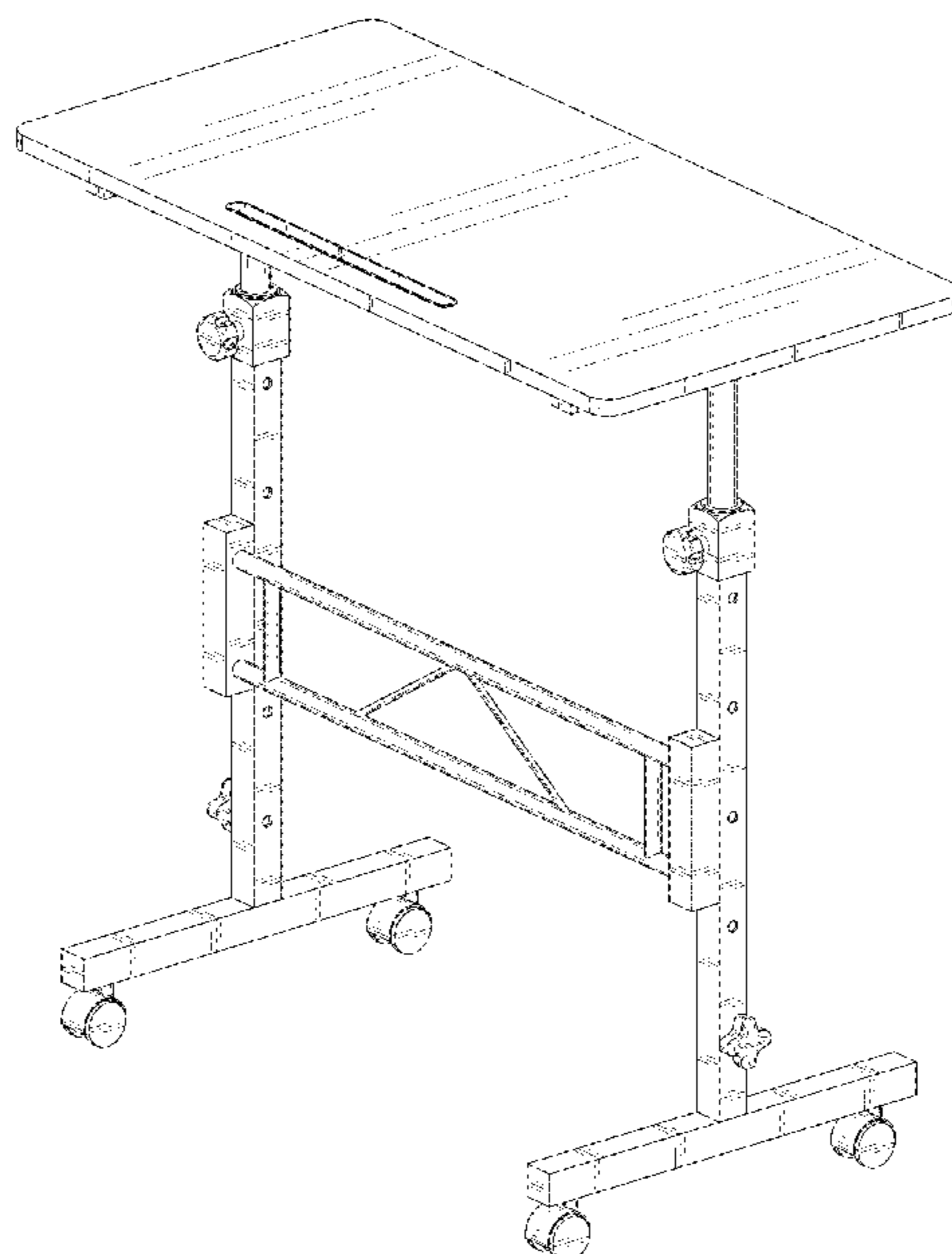
DESCRIPTION

FIG. 1 is a front, right and top perspective view of a computer desk, showing my new design;
FIG. 2 is a rear, left and bottom perspective view thereof;
FIG. 3 is a front view thereof;
FIG. 4 is a rear view thereof;
FIG. 5 is a left side view thereof;
FIG. 6 is a right side view thereof;
FIG. 7 is a top plan view thereof;
FIG. 8 is a bottom plan view thereof;
FIG. 9 is a perspective view thereof, shown in an alternative position, wherein the desktop is shown raised; and,
FIG. 10 is another perspective view thereof, shown in an alternative position, wherein the desktop is shown raised.
The broken lines shown in the drawings illustrate portions of the computer desk that form no part of the claimed design.

1 Claim, 10 Drawing Sheets

(56) **References Cited**
U.S. PATENT DOCUMENTS

- D770,814 S * 11/2016 Davidson D6/656.15
- D819,371 S * 6/2018 Cao D6/656.16
- D826,600 S * 8/2018 Yamamoto D6/656.16
- D865,404 S * 11/2019 Hu D6/655.13
- D901,945 S 11/2020 Li
- D909,095 S 2/2021 Li
- D920,009 S * 5/2021 Liu D6/656.17
- 11,051,611 B2 * 7/2021 Goldberg A47B 3/08
- 11,206,921 B1 * 12/2021 Lin A47B 9/06
- D960,611 S * 8/2022 Iwasaki D6/656.13



(56)

References Cited

U.S. PATENT DOCUMENTS

2016/0095425 A1* 4/2016 Yang A47B 9/06
248/188.2

OTHER PUBLICATIONS

Bseack Anti Slip Desk, retrieved from amazon.com, posting date Jul. 17, 2019, online, retrieved Dec. 13, 2022, URL:https://www.amazon.com/Bseack-Anti-Slip-Heavy-Duty-Multi-Purpose-Adjustable/dp/B07VHL6CN9/ref=sr_1_10?crd=GSLYUOLF7PAB (Year: 2019).*

* cited by examiner

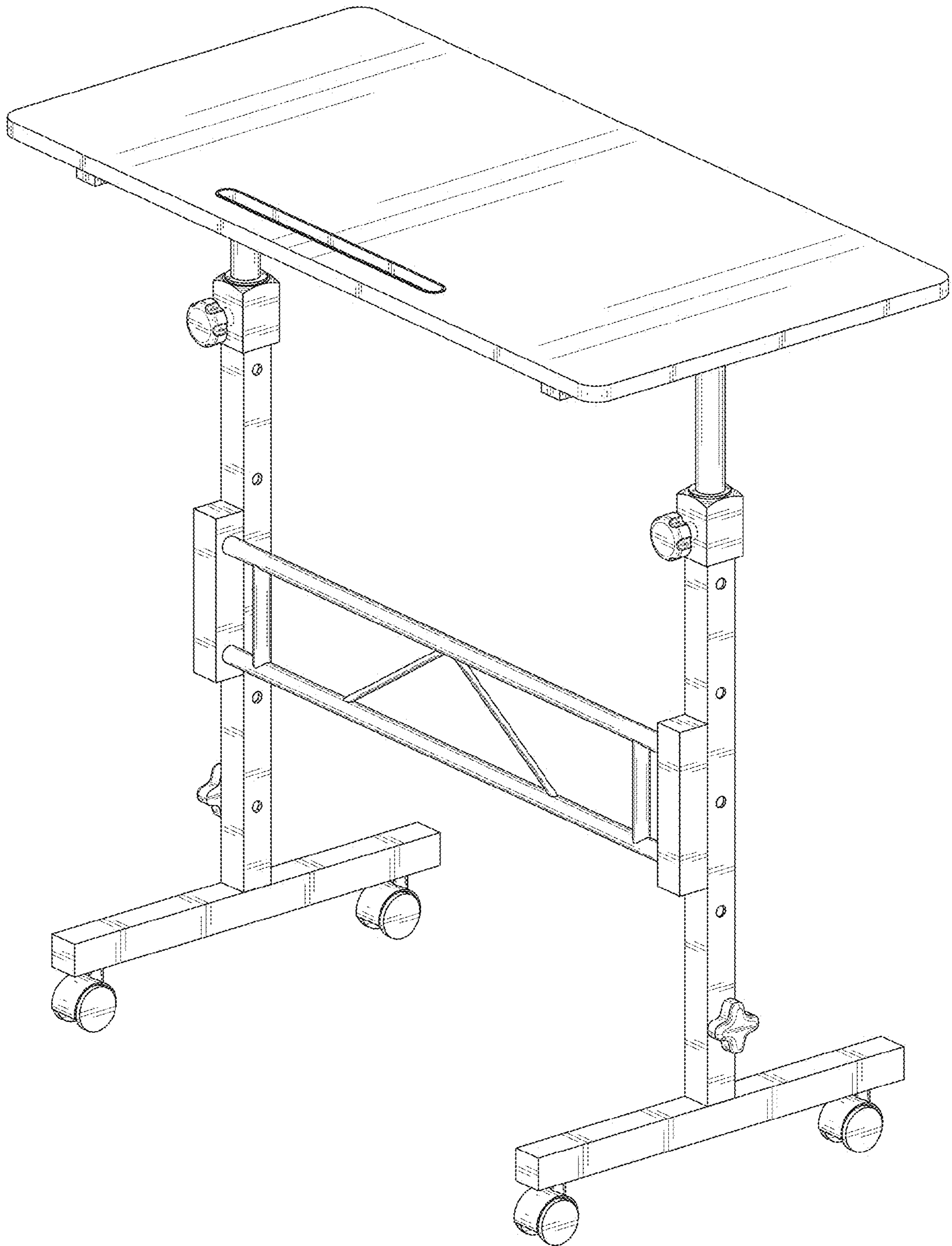


FIG. 1

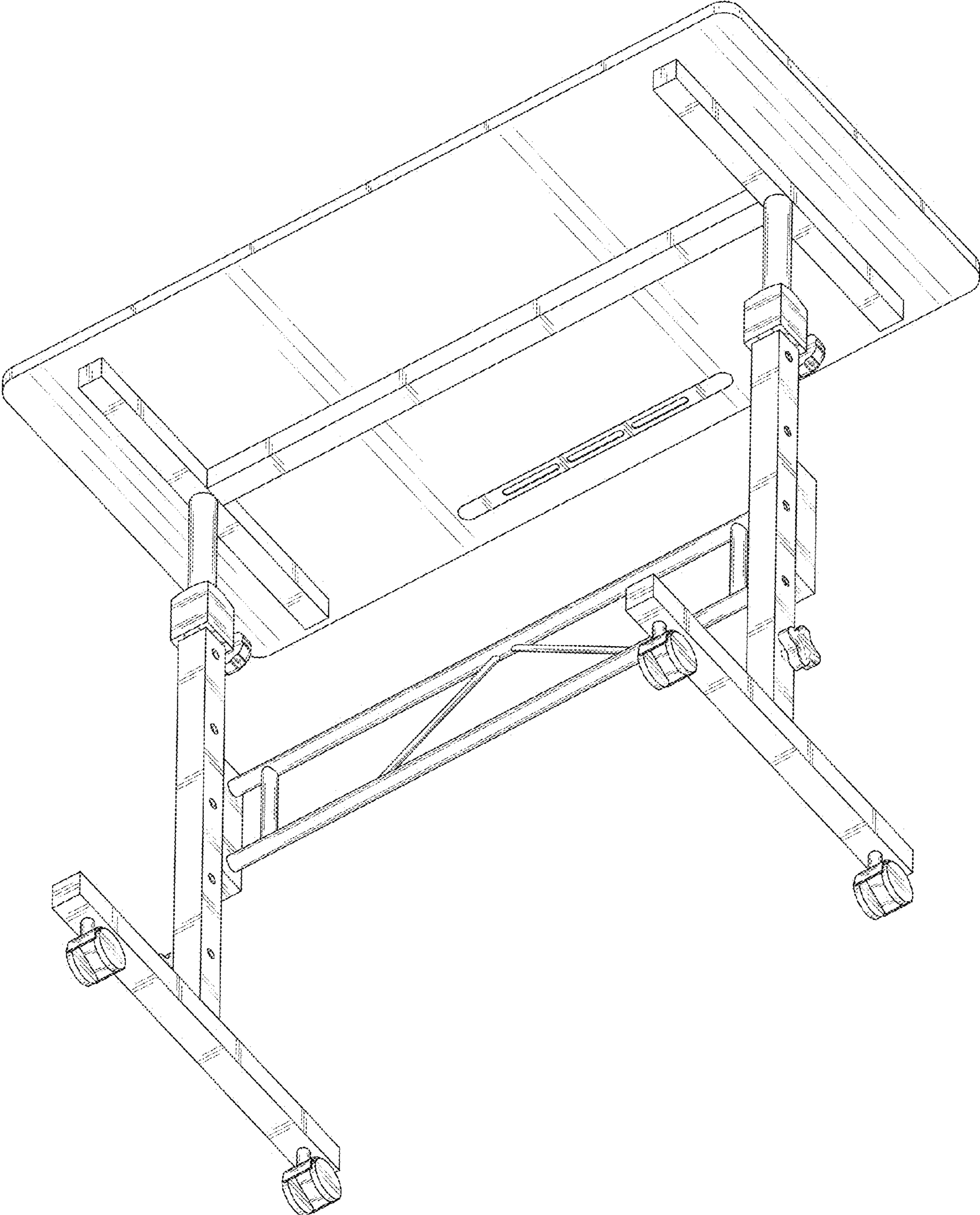


FIG.2

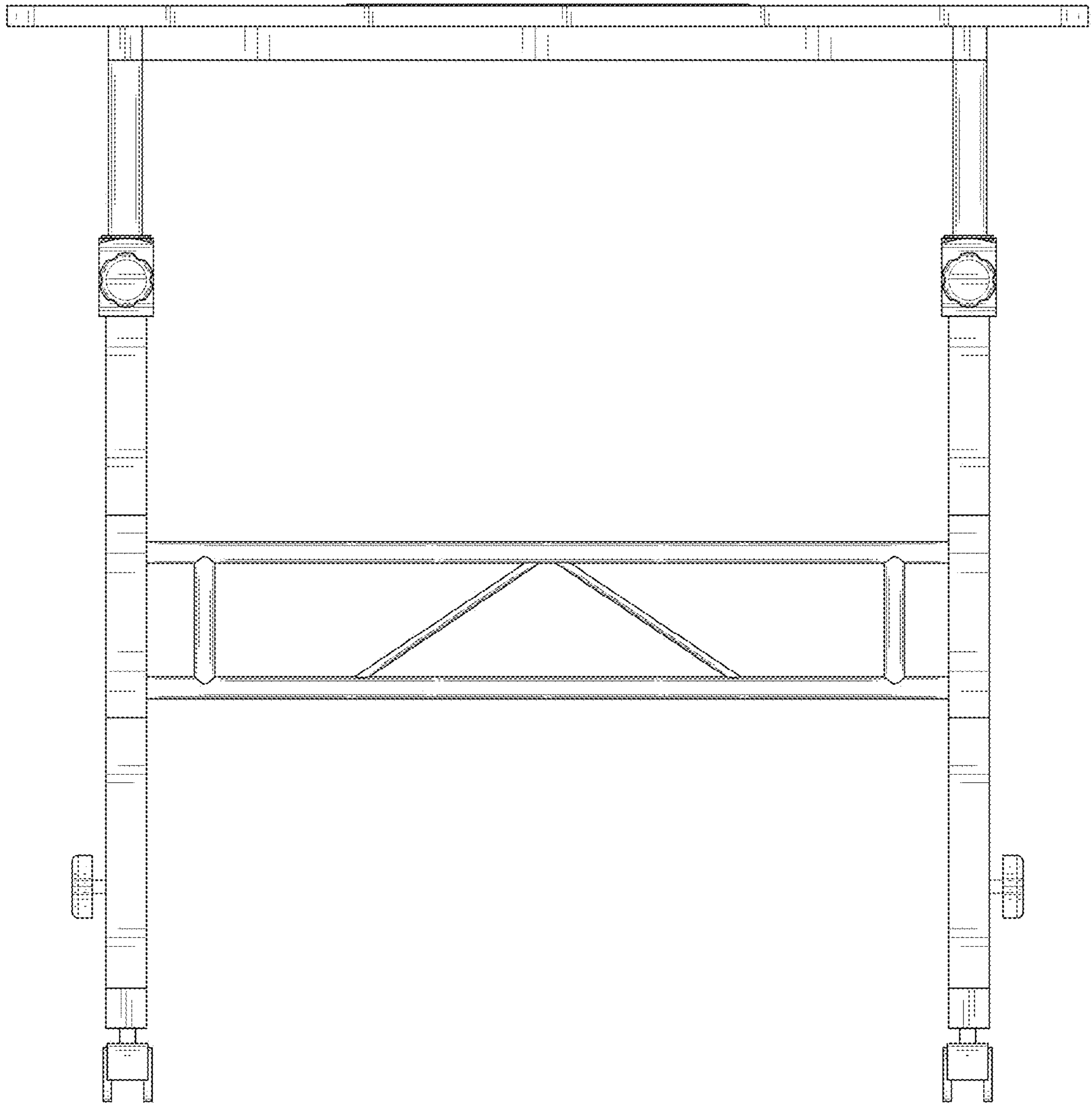


FIG. 3

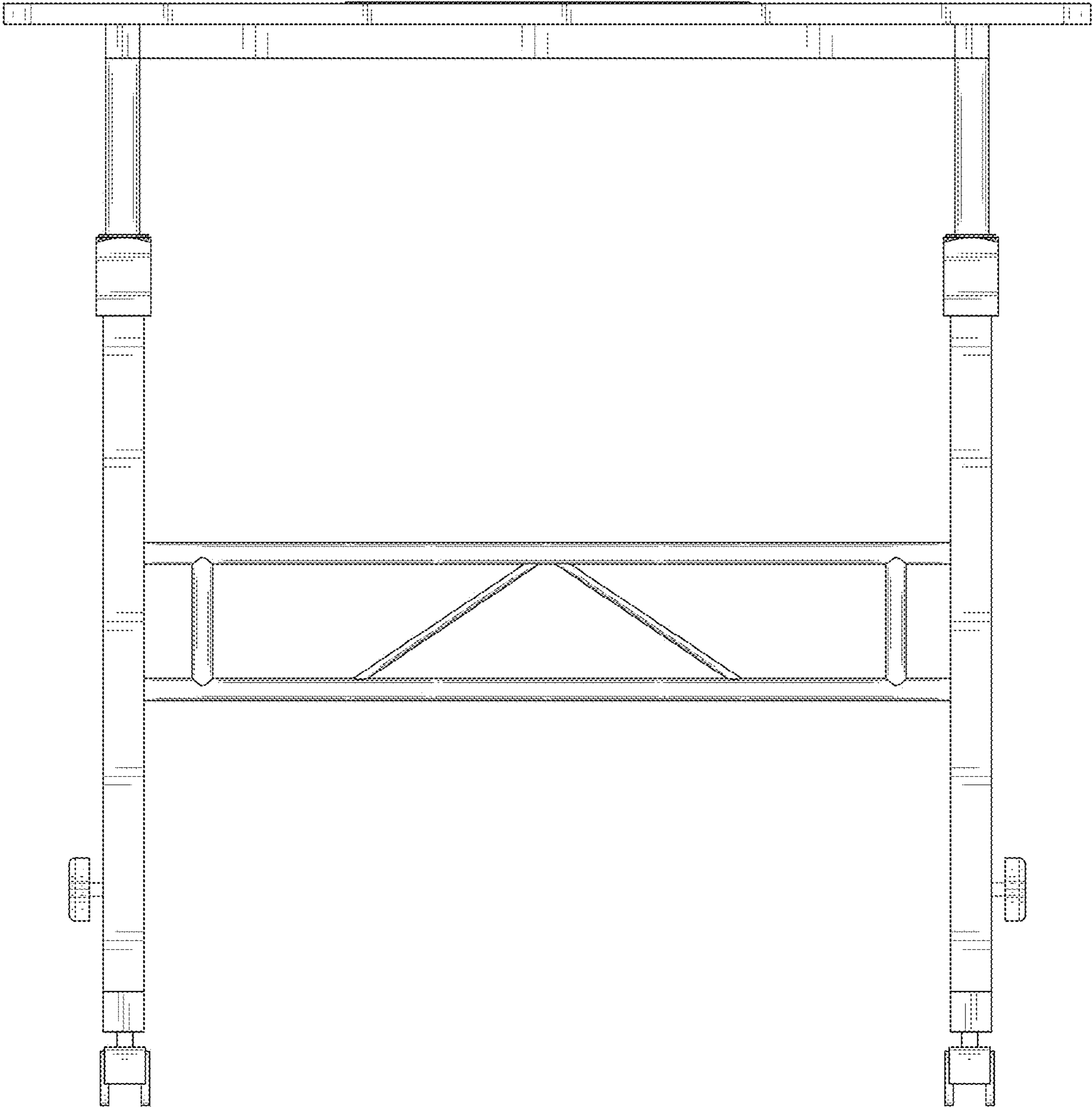


FIG.4

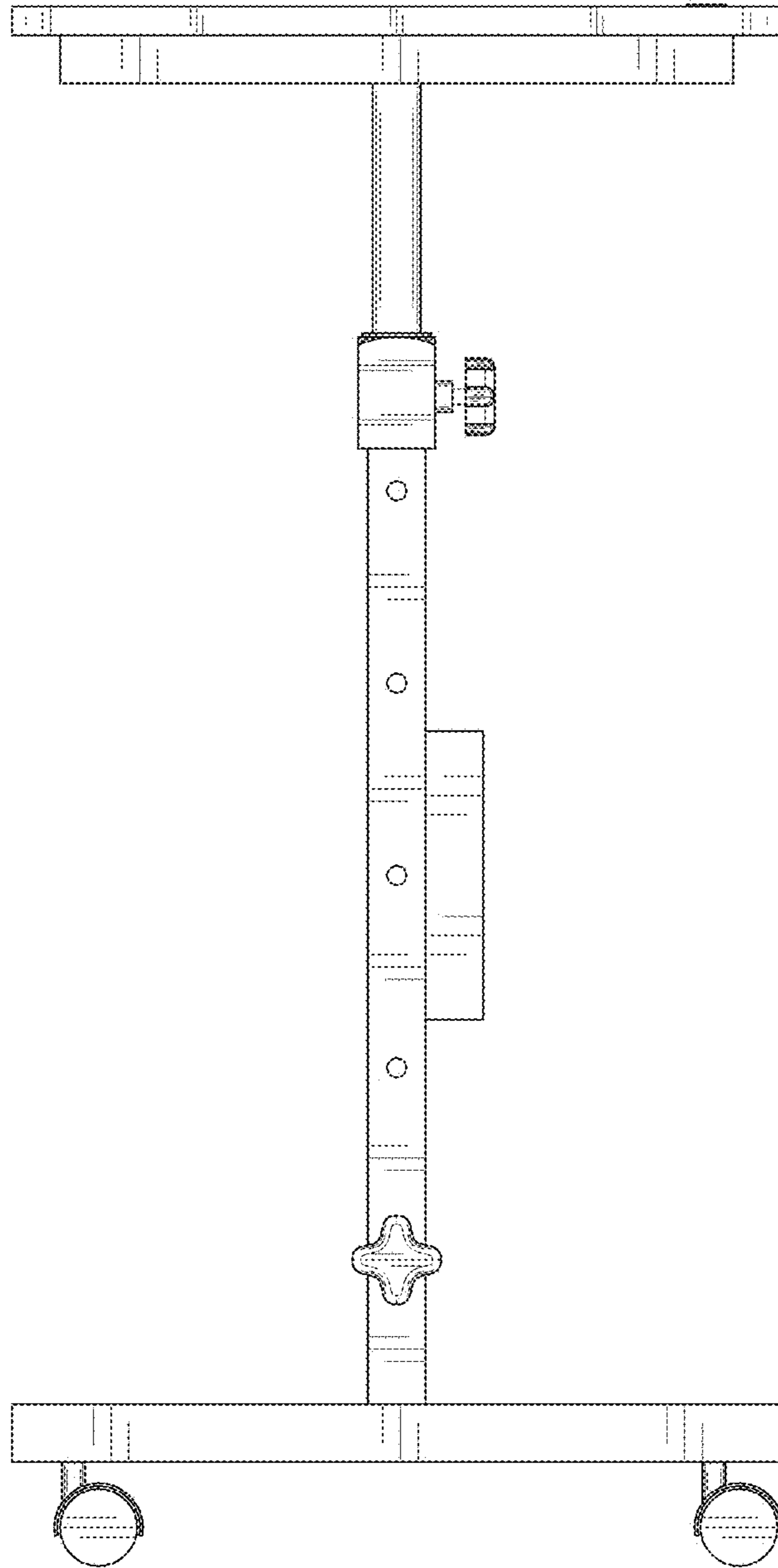


FIG. 5

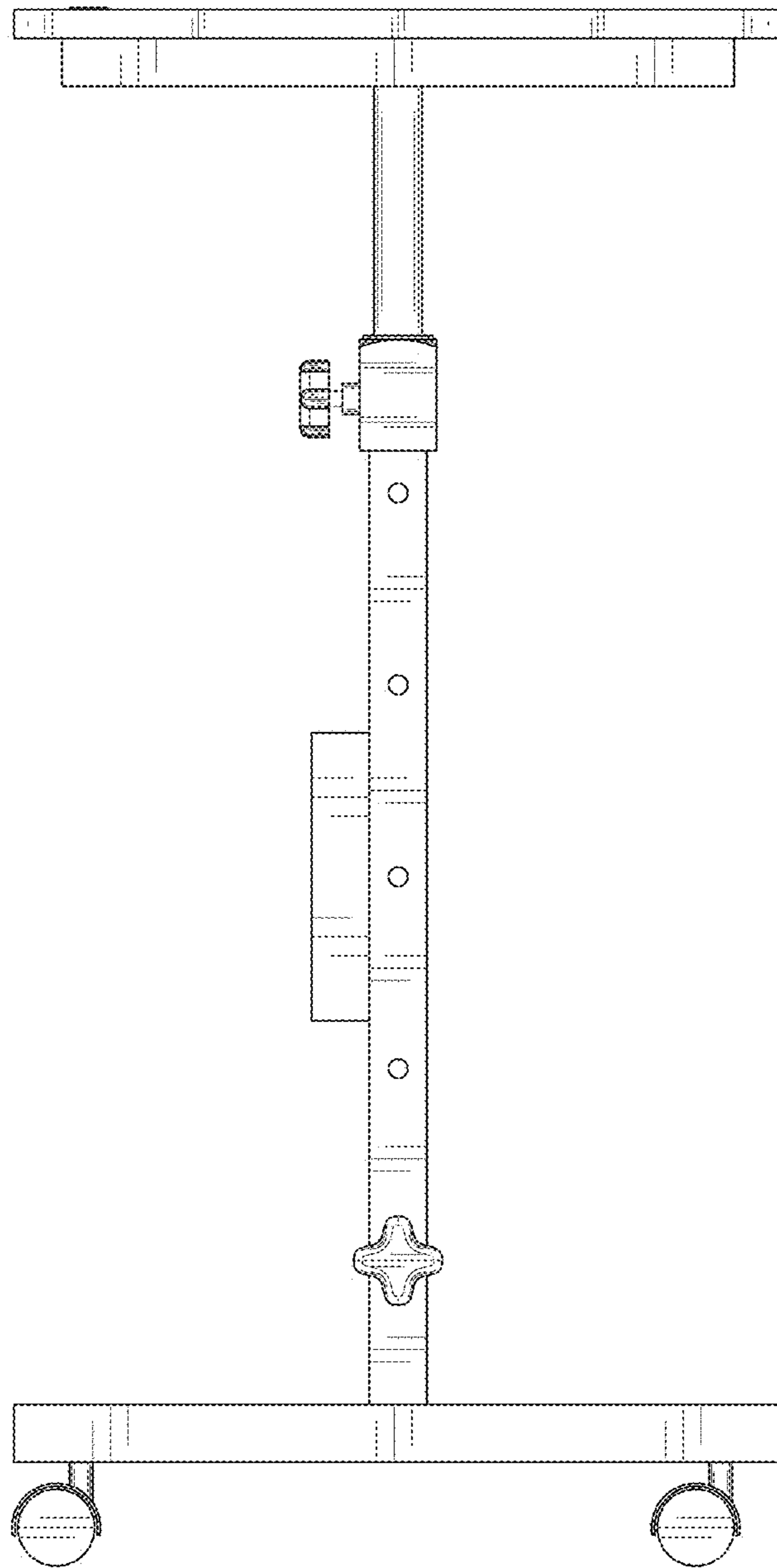


FIG. 6

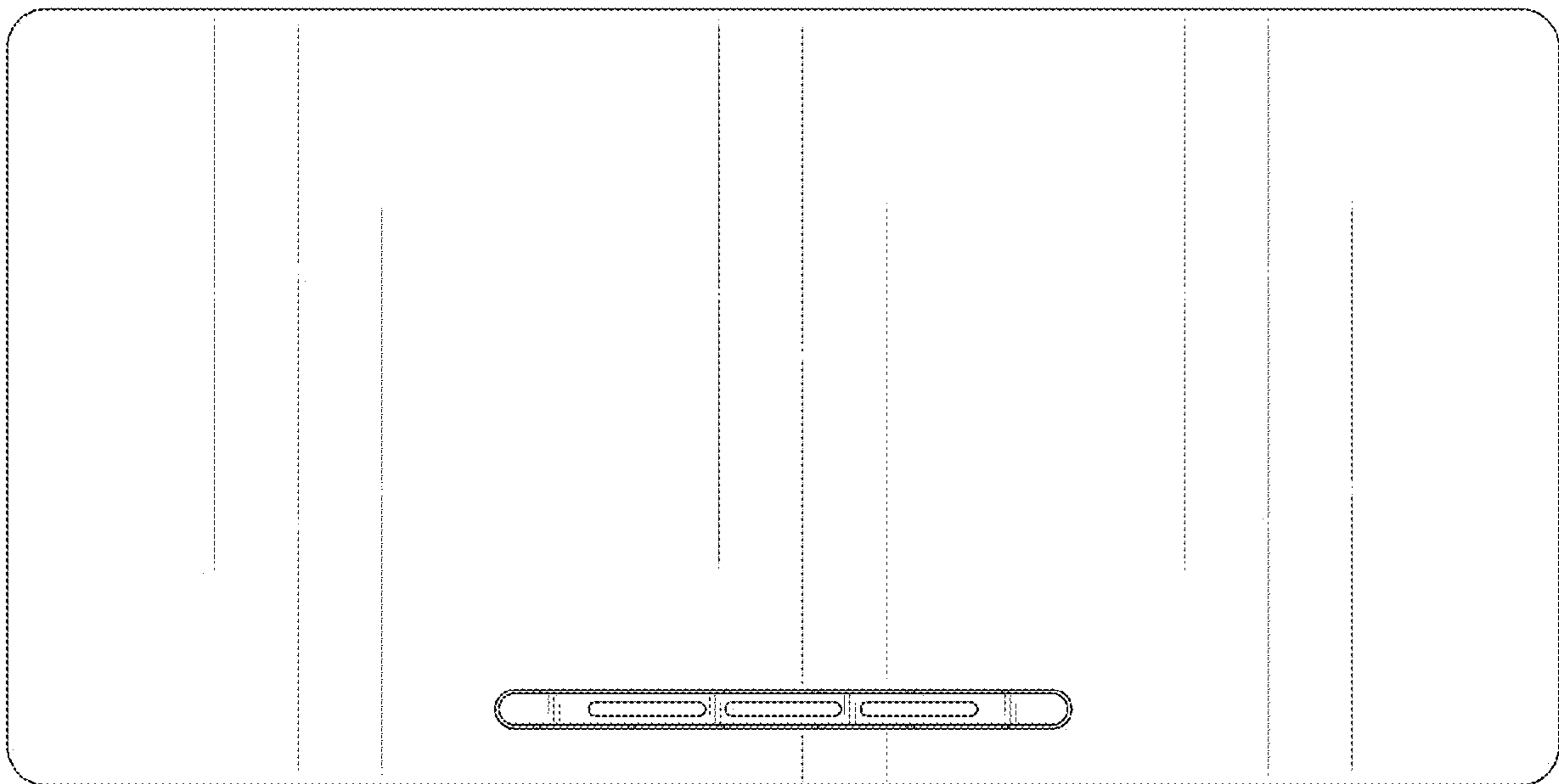


FIG. 7

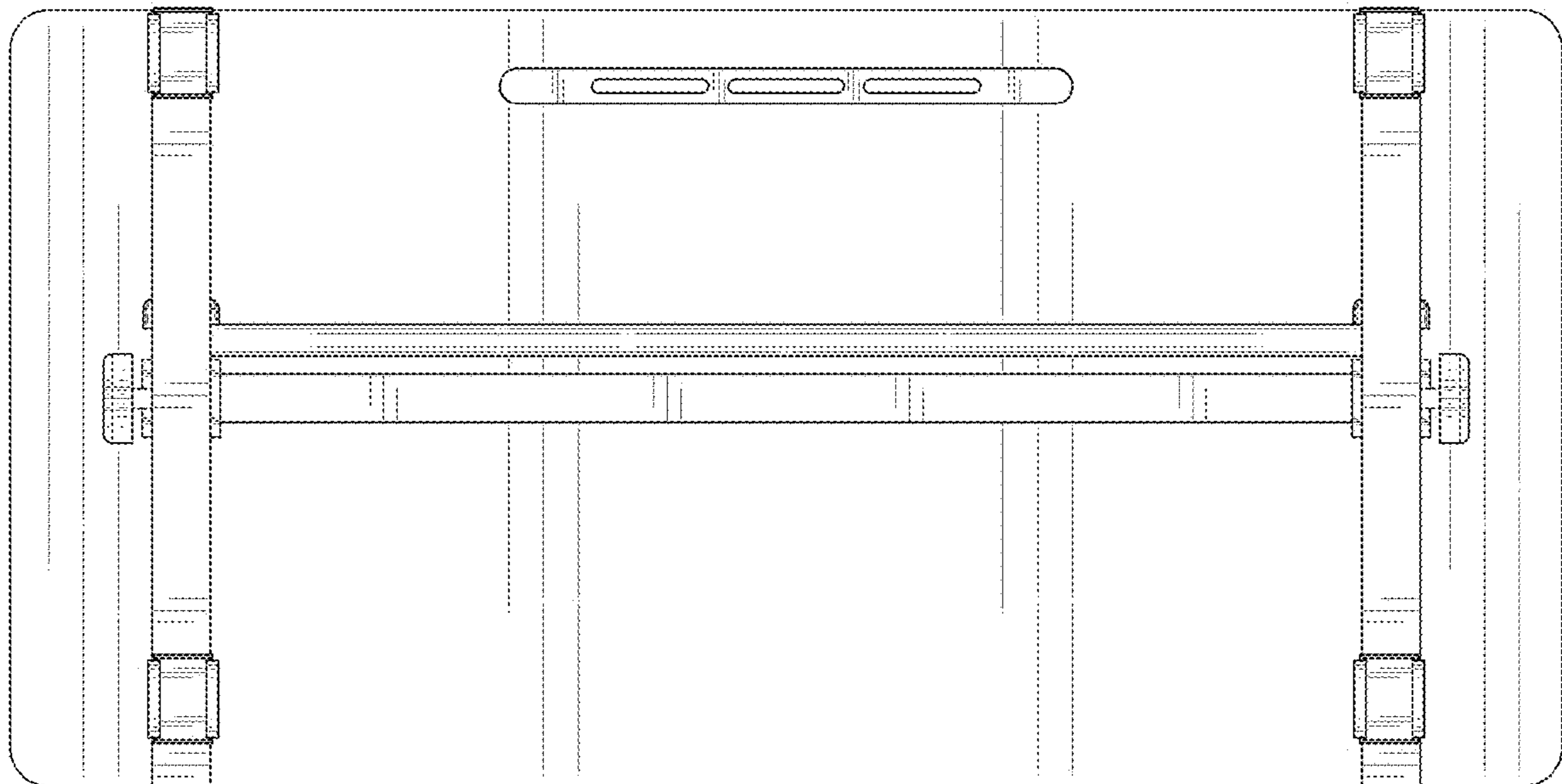


FIG.8

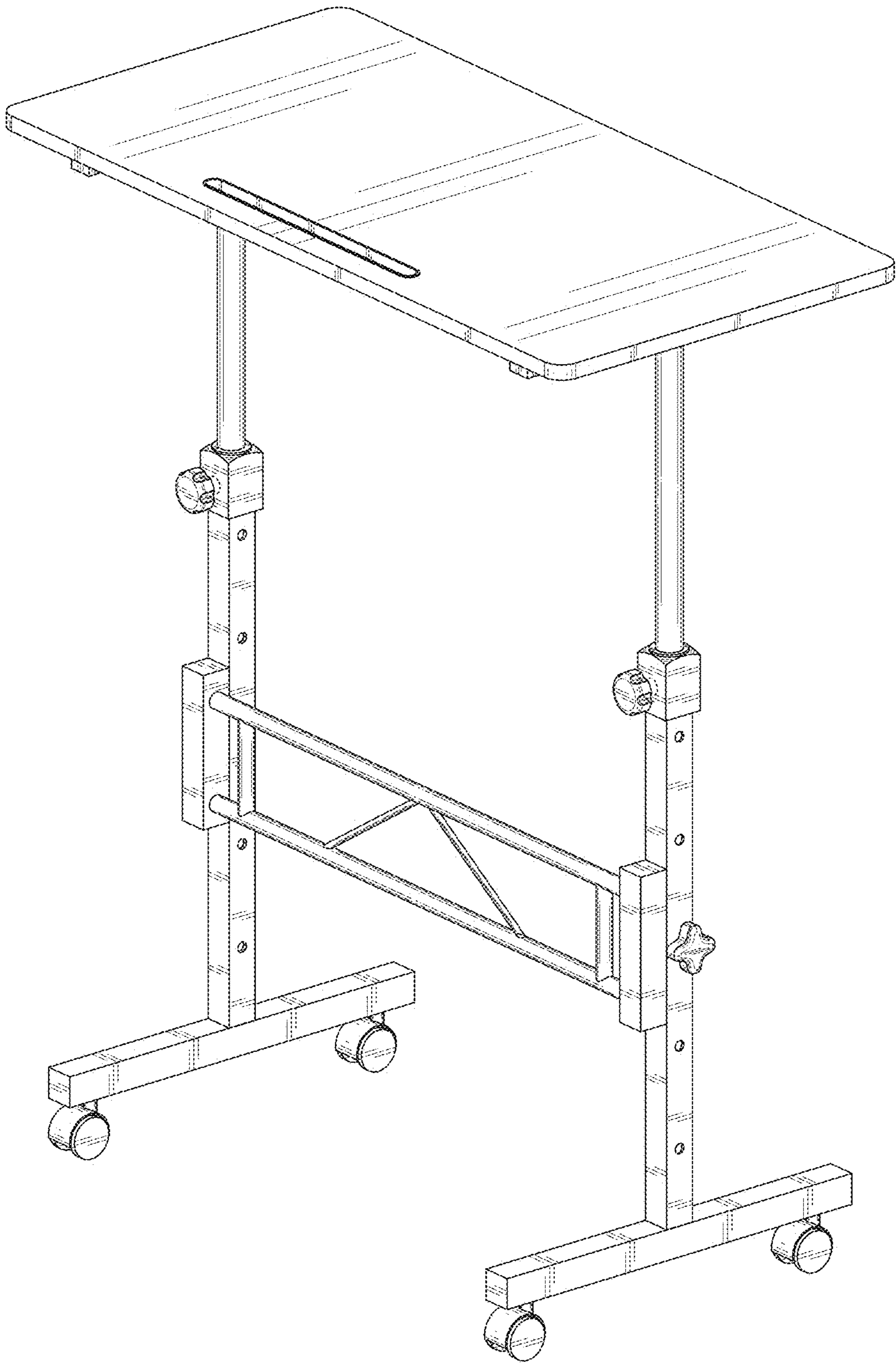


FIG. 9

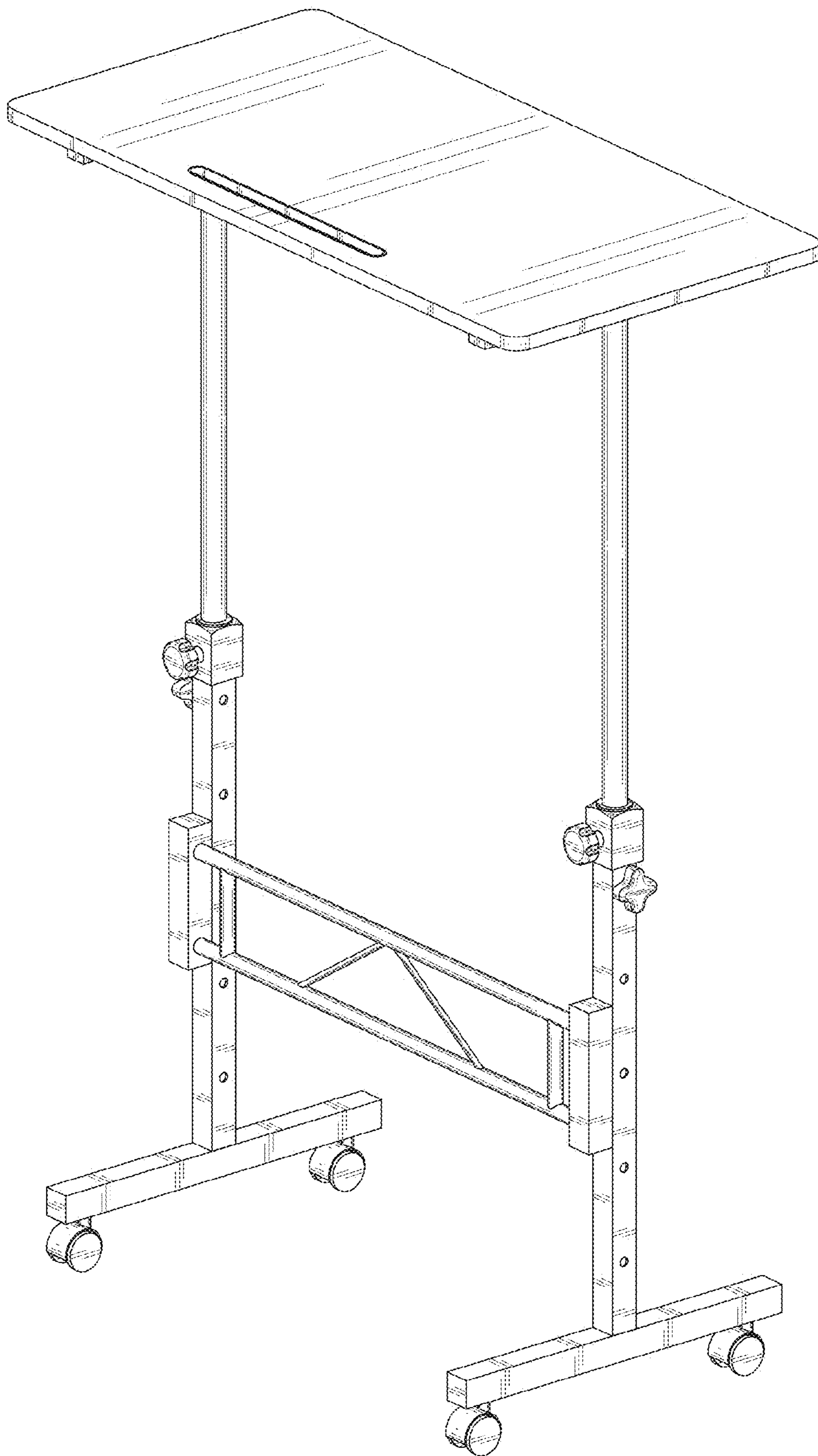


FIG. 10