



US00D981763S

(12) **United States Design Patent** (10) **Patent No.:** **US D981,763 S**
Lin (45) **Date of Patent:** **** Mar. 28, 2023**

(54) **SEAT COVER**

D935,230 S * 11/2021 Zhang D6/601
D935,233 S * 11/2021 Zhang D6/611
D950,985 S * 5/2022 Schiff D6/611

(71) Applicant: **Chi Fu Lin**, Luodong Towns (TW)

(72) Inventor: **Chi Fu Lin**, Luodong Towns (TW)

(73) Assignee: **TAIZHOUSHI TIAN TAI WOSHIDAMAI CO. LTD**, Taizhou (CN)

(**) Term: **15 Years**

(21) Appl. No.: **29/809,105**

(22) Filed: **Sep. 24, 2021**

(51) **LOC (14) Cl.** **06-13**

(52) **U.S. Cl.**
USPC **D6/611**; D6/601

(58) **Field of Classification Search**
USPC D6/334, 340, 355, 595, 596, 601, 606,
D6/610, 611, 716, 716.1; D12/133, 401,
D12/416
CPC A47C 7/02; A47C 7/021; A47C 7/0213;
A47C 27/00
See application file for complete search history.

(56) **References Cited**

U.S. PATENT DOCUMENTS

D260,125 S 8/1981 Rogers
D387,235 S 12/1997 Carpenter
D474,637 S 5/2003 Scheetz
D768,412 S * 10/2016 Ngo D6/611
D780,485 S 3/2017 Goddard
D833,176 S * 11/2018 Wang D6/601
D843,133 S 3/2019 Cohen
D859,884 S * 9/2019 Goddard D6/601
D871,799 S 1/2020 Li
D873,583 S * 1/2020 Qin D6/601
D898,420 S * 10/2020 Tan D6/601
D909,796 S 2/2021 Cooper
D924,600 S * 7/2021 Wang D6/601
D924,601 S 7/2021 Lian
D930,403 S * 9/2021 Diamond D6/611

FOREIGN PATENT DOCUMENTS

CN 303570092 * 1/2016

OTHER PUBLICATIONS

Lofty Aim Premium Car Seat Cushion, announced 2020 [online], [site visited May 31, 2022]. Available from internet, URL: <<https://www.amazon.com/dp/B08RSNBB74/?th=1>> (Year: 2020).
https://www.amazon.com/Motor-Trend-MTSC-420-Universal-Cushion/dp/B07Z13SPXY/ref=asc_df_B07Z13SPXY/?tag=hyprod-20&linkCode=df0&hvadid=385548226473&hvpos=&hvnetw=g&hvrnd=8010273285533484709&hvpon=&hvptwo=&hvqmt=&hvdev=c&hvdvcmld=&hvlocint=&hvlocphy=9007576&hvtargid=pla-836677679953&psc=1&tag=&ref=&adgrpid=80170967218&hvpon=&hvptwo=&hvadid=385548226473&hvpos=&hvnetw=g&hvrnd=8010273285533484709&hvqmt=&hvdev=c&hvdvcmld=&hvlocint=&hvlocphy=9007576&hvtargid=pla-836677679953

* cited by examiner

Primary Examiner — Cynthia Ramirez

Assistant Examiner — Xavier Marti-Santos

(74) *Attorney, Agent, or Firm* — Chun-Ming Shih; Lanway IPR Services

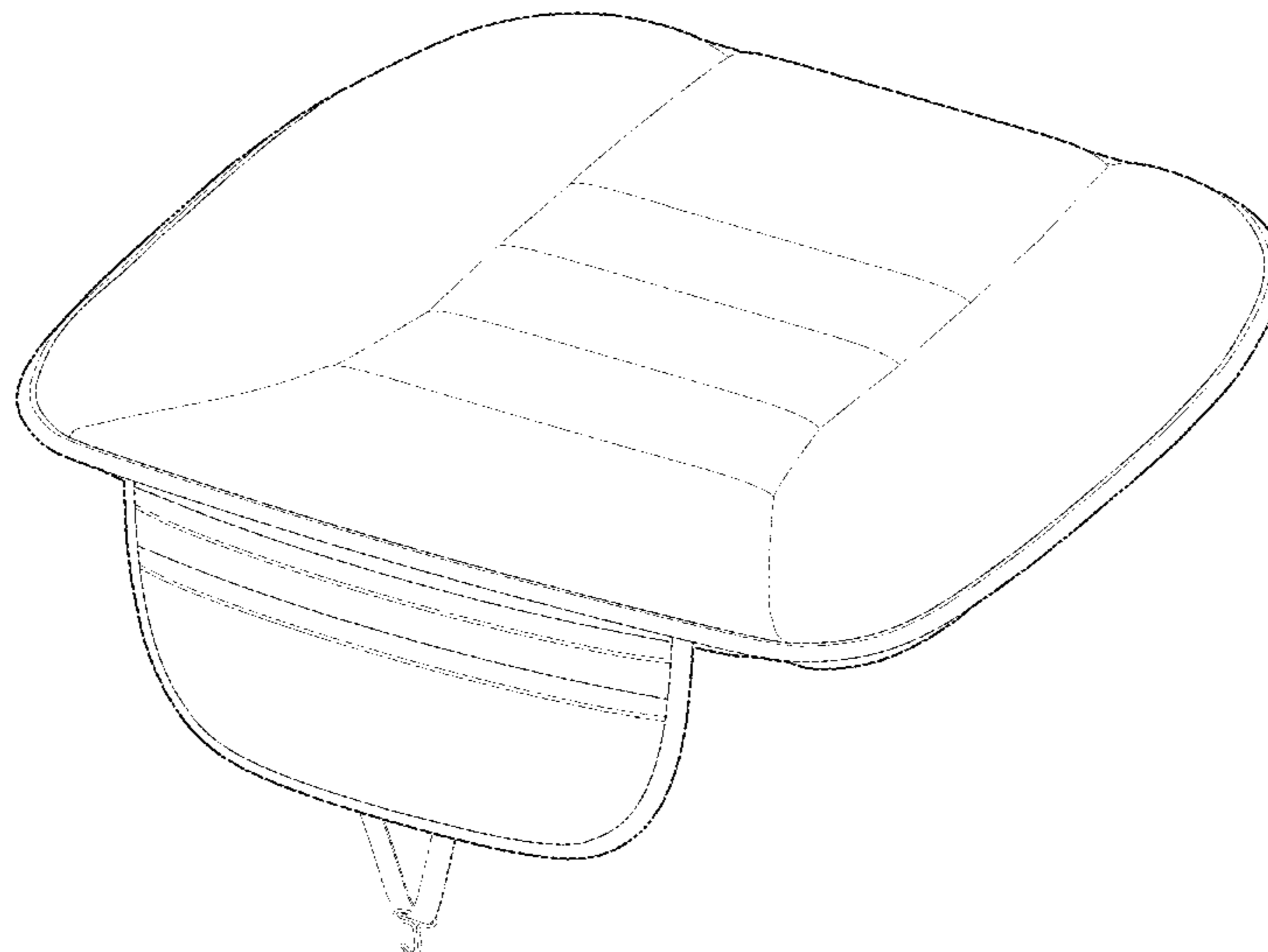
(57) **CLAIM**

The ornamental design for a seat cover, as shown and described.

DESCRIPTION

FIG. 1 is a perspective view of a seat cover showing the new design;
FIG. 2 is a top view thereof;
FIG. 3 is a bottom view thereof;
FIG. 4 is a right side view thereof;
FIG. 5 is a left side view thereof;
FIG. 6 is a front view thereof; and,
FIG. 7 is a back view thereof.

1 Claim, 7 Drawing Sheets



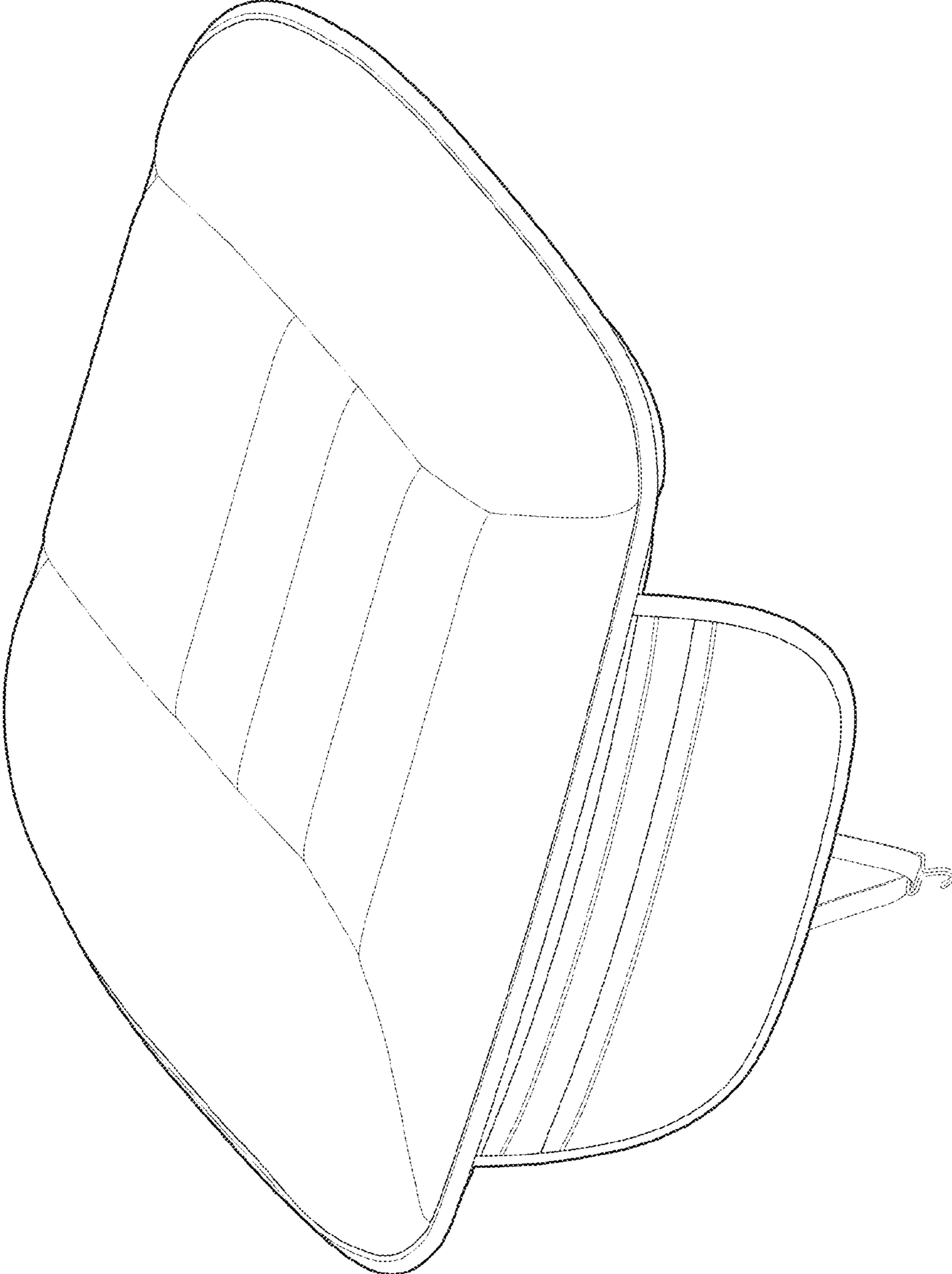


FIG. 1

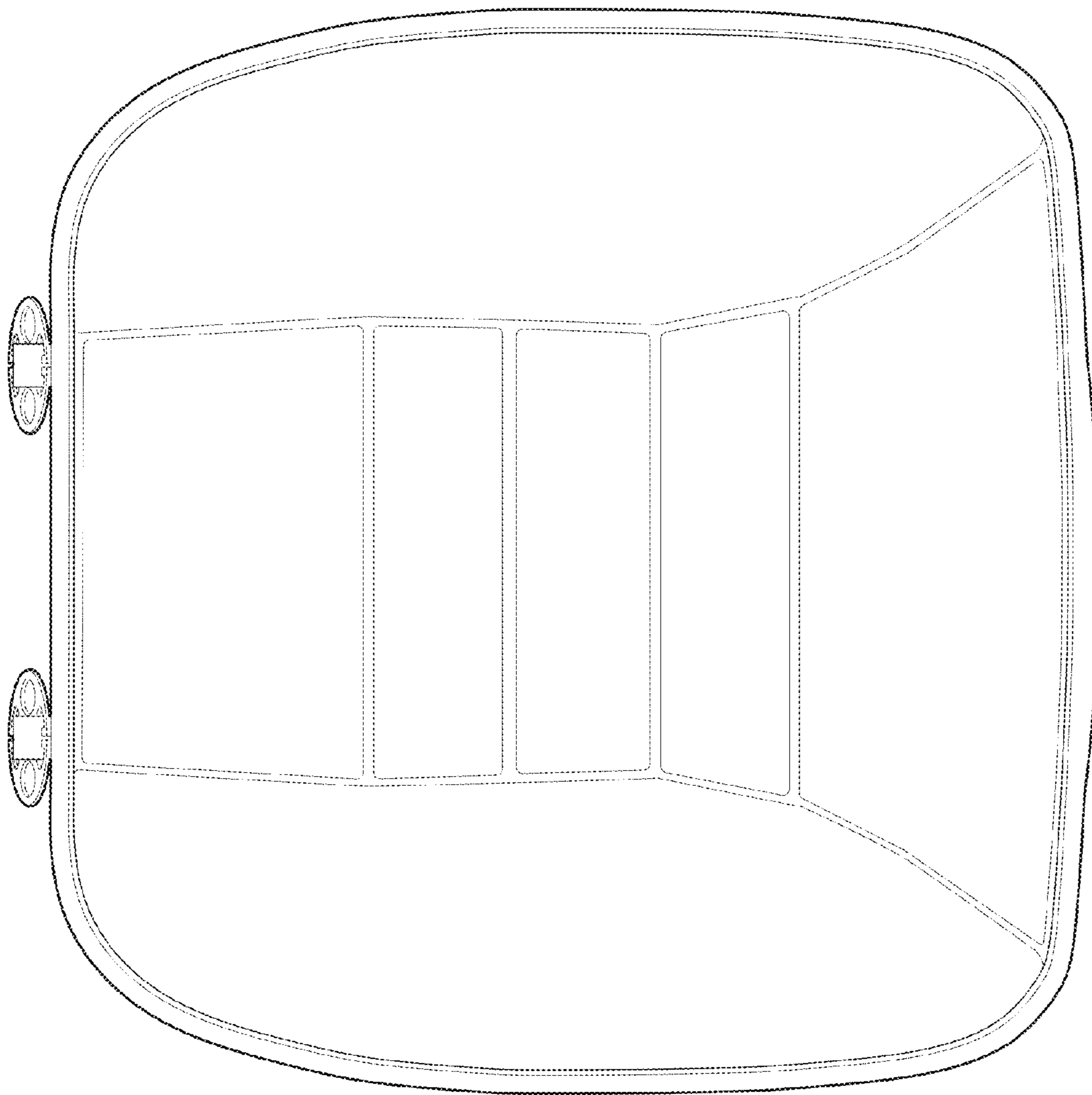


FIG. 2

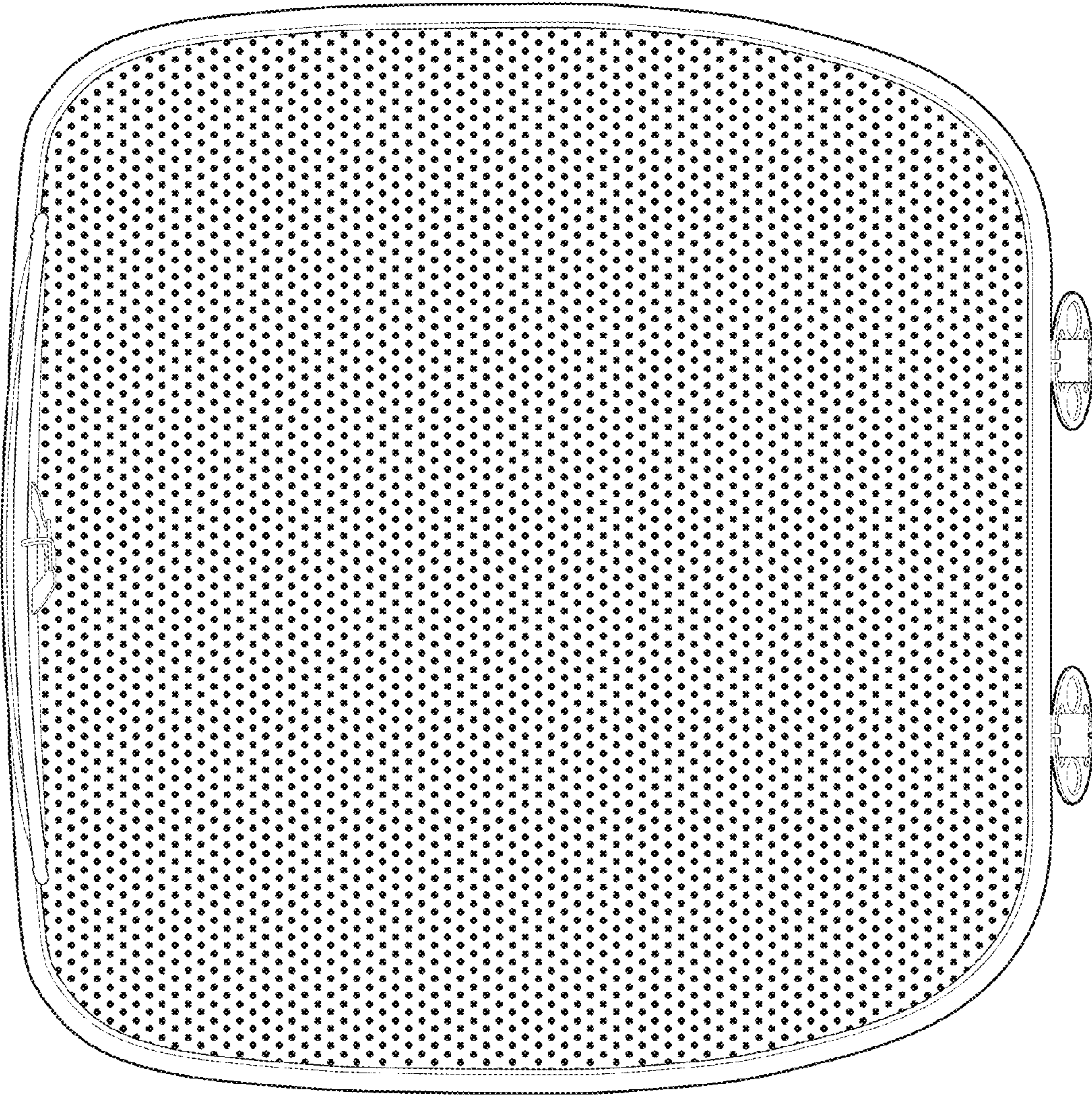


FIG. 3

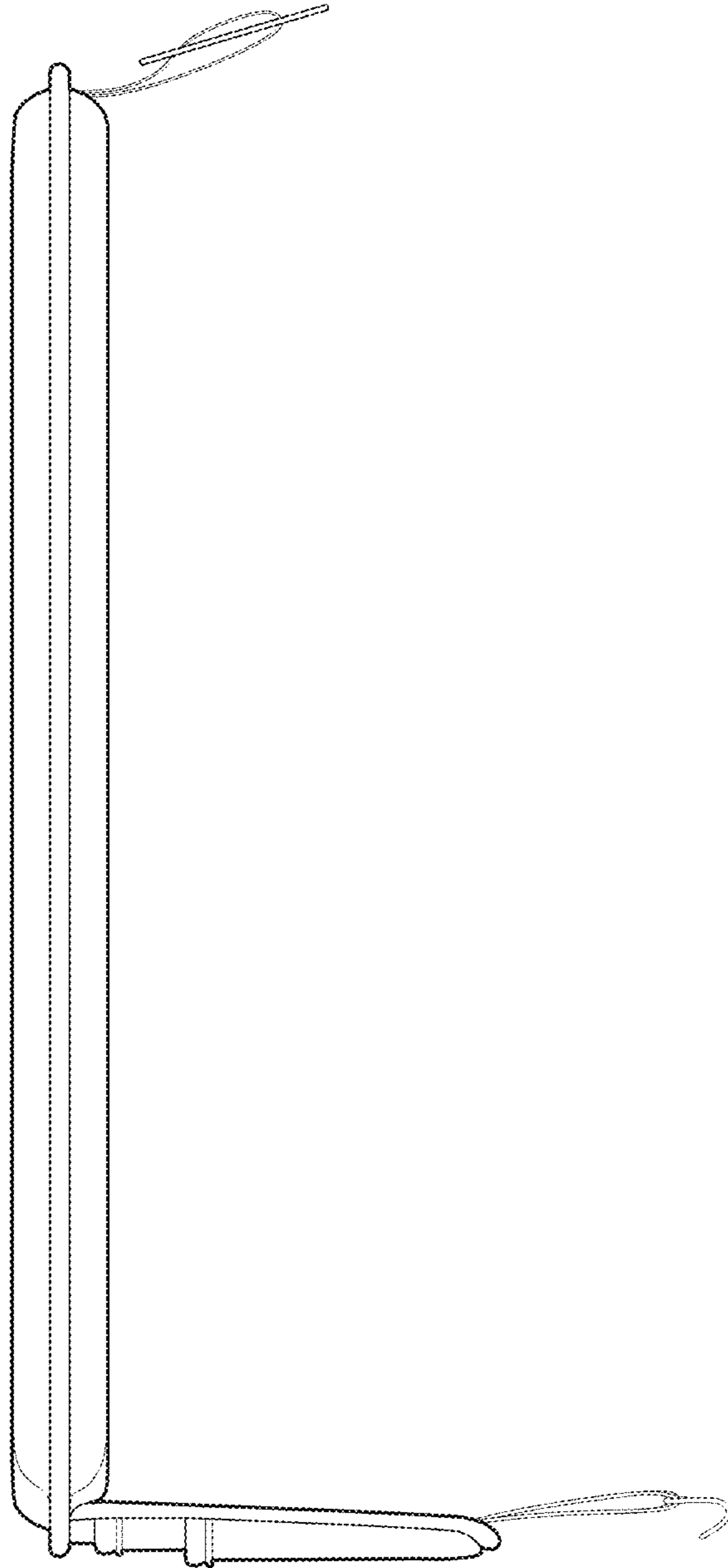


FIG. 4

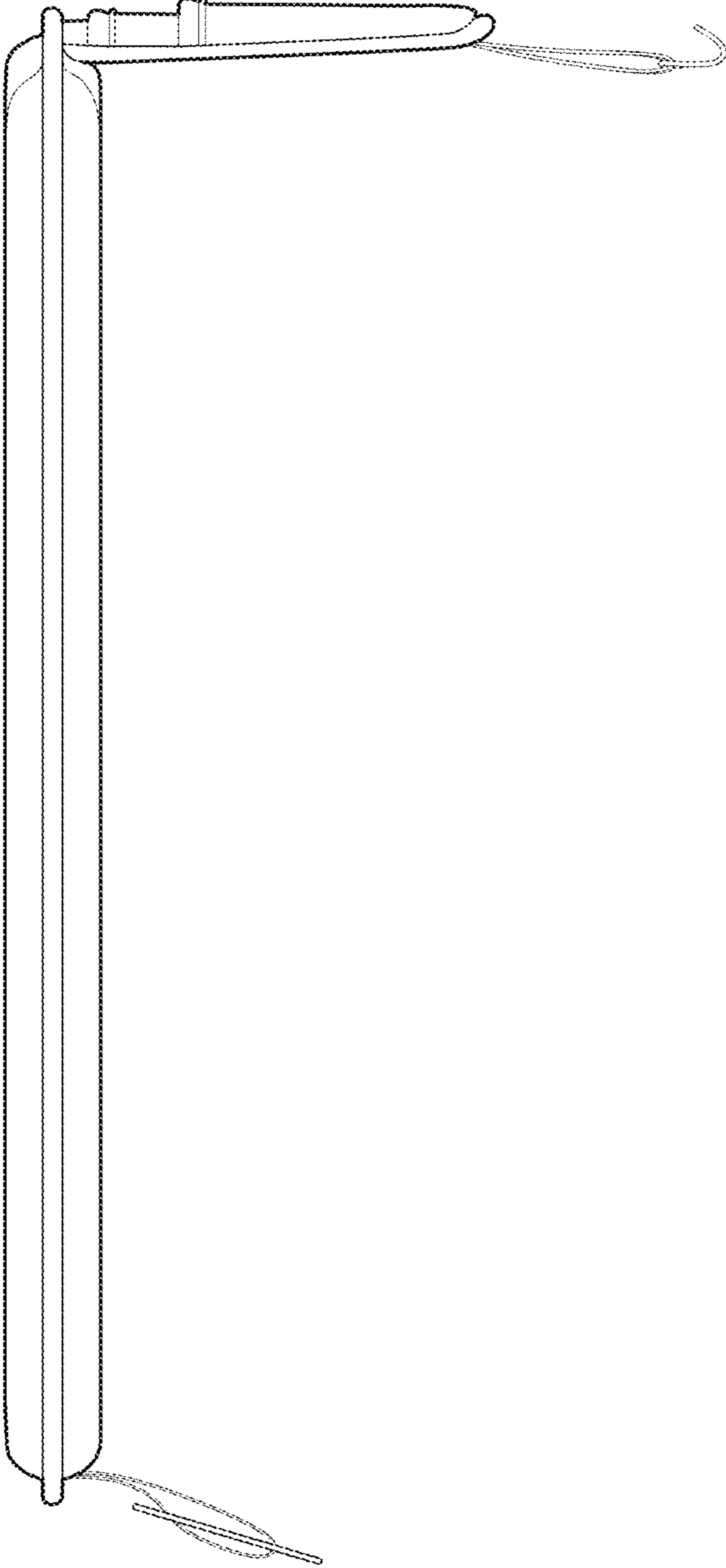


FIG. 5

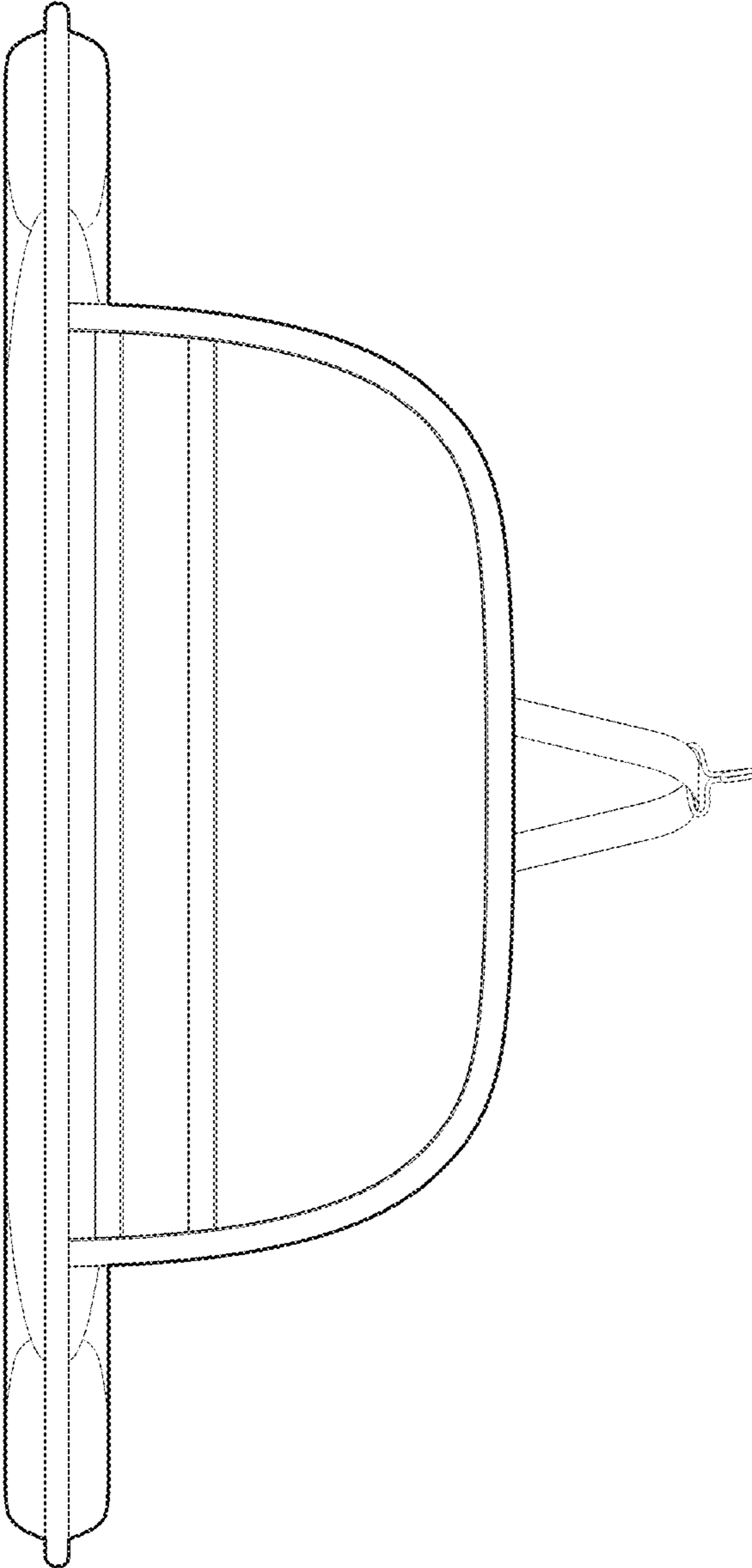


FIG. 6

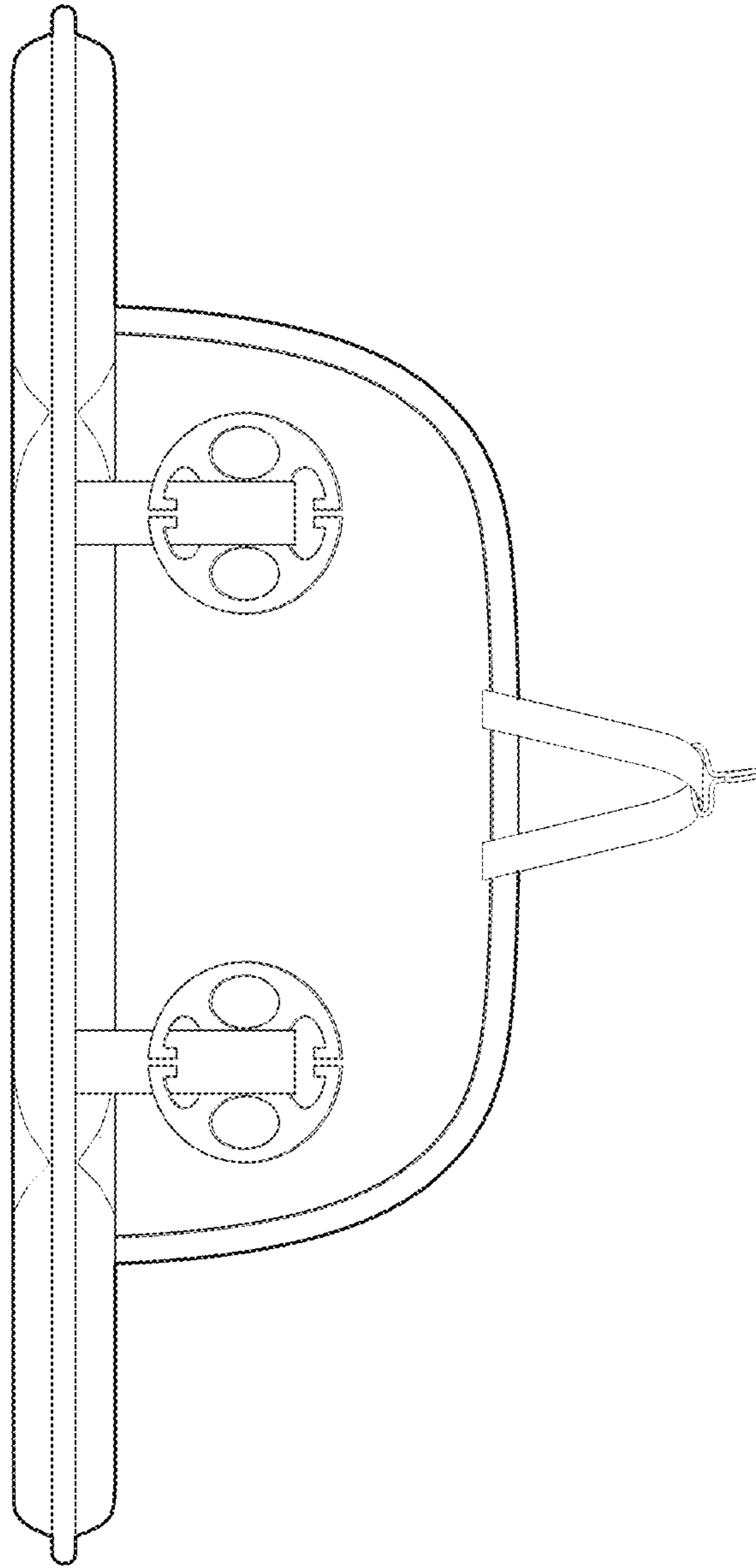


FIG. 7