



US00D981761S

(12) **United States Design Patent**
Bloch

(10) **Patent No.:** **US D981,761 S**

(45) **Date of Patent:** **** Mar. 28, 2023**

(54) **ELECTRIC HEATED CUSHION**
(71) Applicant: **KSS MADE IVS—MENSA HEATING**, Copenhagen (DK)
(72) Inventor: **Stig Bloch**, Egå (DK)
(**) Term: **15 Years**
(21) Appl. No.: **35/513,828**
(22) Filed: **Jun. 14, 2021**

D416,718 S * 11/1999 Chatman D6/601
D468,573 S * 1/2003 Friend D6/601
6,588,840 B1 * 7/2003 Lombardo A47C 1/16
297/219.1
D484,350 S * 12/2003 Miller D6/601
D503,867 S * 4/2005 Bennette D6/601
D602,298 S * 10/2009 Zwanzgleitner D6/601
D604,084 S * 11/2009 Gokhale D6/601
D634,951 S * 3/2011 Dreiling D6/716.1
D725,925 S * 4/2015 Kaye D6/349
D769,028 S * 10/2016 Little D6/601
D796,229 S * 9/2017 Mangin D6/596
D817,663 S * 5/2018 Hicks D6/601

(Continued)

(80) **Hague Agreement Data**
Int. Filing Date: **Jun. 14, 2021**
Int. Reg. No.: **DM/219405**
Int. Reg. Date: **Jun. 14, 2021**
Int. Reg. Pub. Date: **Mar. 18, 2022**

FOREIGN PATENT DOCUMENTS

CN 307560761 * 9/2022
CN 307773431 * 1/2023
WO D219405-001 * 3/2022

(51) **LOC (14) Cl.** **06-09**
(52) **U.S. Cl.**
USPC **D6/601**
(58) **Field of Classification Search**
USPC D6/595, 596, 604, 605, 606, 601
See application file for complete search history.

OTHER PUBLICATIONS

HuGA heated Cushion, earliest available: unknown, [online], [site visited Jan. 28, 2023]. Available from Internet, <URL: <https://www.hugaheat.com/collections/frontpage?page=1>> (Year: 2023).*

(Continued)

Primary Examiner — Sanjeev Paul

(56) **References Cited**

U.S. PATENT DOCUMENTS

4,190,918 A * 3/1980 Harvell A47C 4/52
D6/601
D260,125 S * 8/1981 Rogers D21/803
4,843,662 A * 7/1989 Handelman A47C 7/021
297/382
D329,957 S * 10/1992 Hartnett D6/601
D340,814 S * 11/1993 Grant D6/601
D342,638 S * 12/1993 Harland D6/601
D357,609 S * 4/1995 Webb D6/601
D360,308 S * 7/1995 Smith D6/333
D366,383 S * 1/1996 Briegleb D6/601
D366,800 S * 2/1996 Moore, Jr. D6/601
D379,047 S * 5/1997 Richard D6/601
D413,733 S * 9/1999 Edmonds D6/336

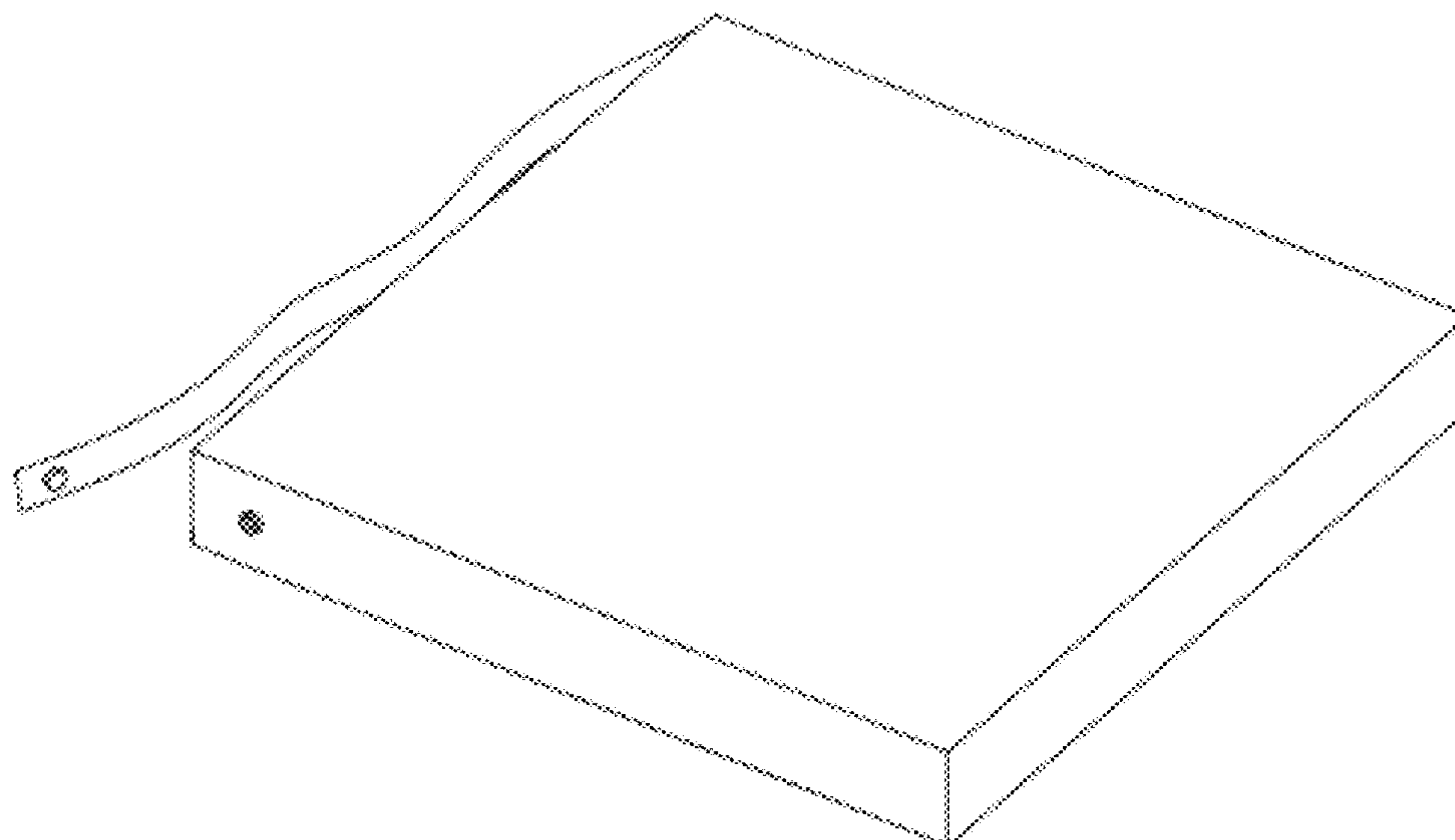
(57) **CLAIM**

The ornamental design for an electric heated cushion, as shown and described.

DESCRIPTION

- 1. Electric heated cushion
- 1.1 : Perspective
- 1.2 : Bottom
- 1.3 : Top
- 1.4 : Side view
- 1.5 : Front

1 Claim, 5 Drawing Sheets



(56)

References Cited

U.S. PATENT DOCUMENTS

D878,105 S * 3/2020 Marinkovic D6/601
 D878,807 S * 3/2020 Marinkovic D6/601
 D909,792 S * 2/2021 Pound D6/601
 D935,805 S * 11/2021 Zhou D6/601
 D968,851 S * 11/2022 Deng D6/604
 2006/0059628 A1 * 3/2006 Hamilton A47C 4/52
 5/653
 2016/0000226 A1 * 1/2016 Sanza Pilas A47C 9/10
 297/4

OTHER PUBLICATIONS

Google Term Search: 'Seat Cushion', [site visited Jan. 28, 2023]
 <URL: https://www.google.com/search?q=seat+cushion&sxsrf=AJOqlzV90N6t4jPQXFERZiU3XL8F3zPPUw:1674938220828&source=lnms&tbm=isch&sa=X&ved=2ahUKEwjh_7CNj-

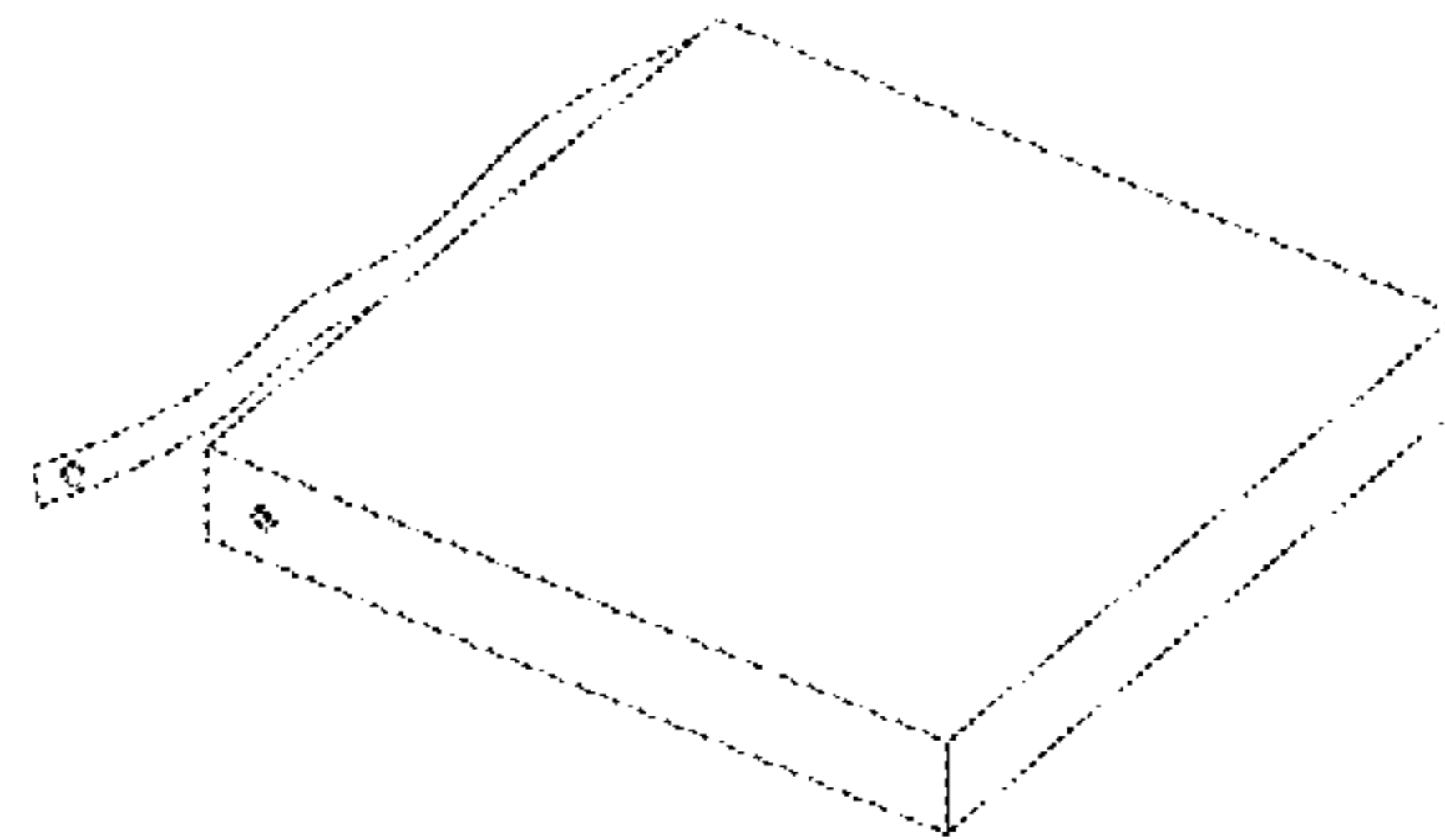
v8AhWHGikFHR_kAqgQ_AUoAnoECAEQBA&biw=1920&bih=937&dpr=1> (Year: 2023).*

Google Term Search: 'Cushion', [site visited Jan. 28, 2023] <URL: [Google Term Search: 'Heated Cushion', \[site visited Jan. 28, 2023\]](https://www.google.com/search?q=cushion&sxsrf=AJOqlzX5CGUtGGEGXarJ6sujzZI9Ice_jg:1674938162857&source=lnms&tbm=isch&sa=X&ved=2ahUKEwjM197xjuv8AhVgD1kFHePnDCYQ_AUoAnoECAEQBA&biw=1920&bih=937&dpr=1> (Year: 2023).*</p>
</div>
<div data-bbox=)

<URL: [Mydays Outdoor Camping USB Heated Cushion, earliest available: Unknown, \[online\], \[site visited Aug. 26, 2021\]. Available from Internet, <URL: <https://www.tvc-mall.com/details/mydays-outdoor-outdoor-camping-usb-heating-cushion-winter-3-level-heater-seat-pad-sku640200295a.html>> \(Year: 2023\).*](https://www.google.com/search?q=heated+cushion&sxsrf=AJOqlzW_dL9wR3sFaU56QGVEbFvo8_F81g:1674953710934&source=lnms&tbm=isch&sa=X&ved=2ahUKEwjEh9LnyOv8AhUiK1kFHR3qB6AQ_AUoAnoECA0QBA&biw=1200&bih=1777&dpr=1> (Year: 2023).*</p>
</div>
<div data-bbox=)

* cited by examiner

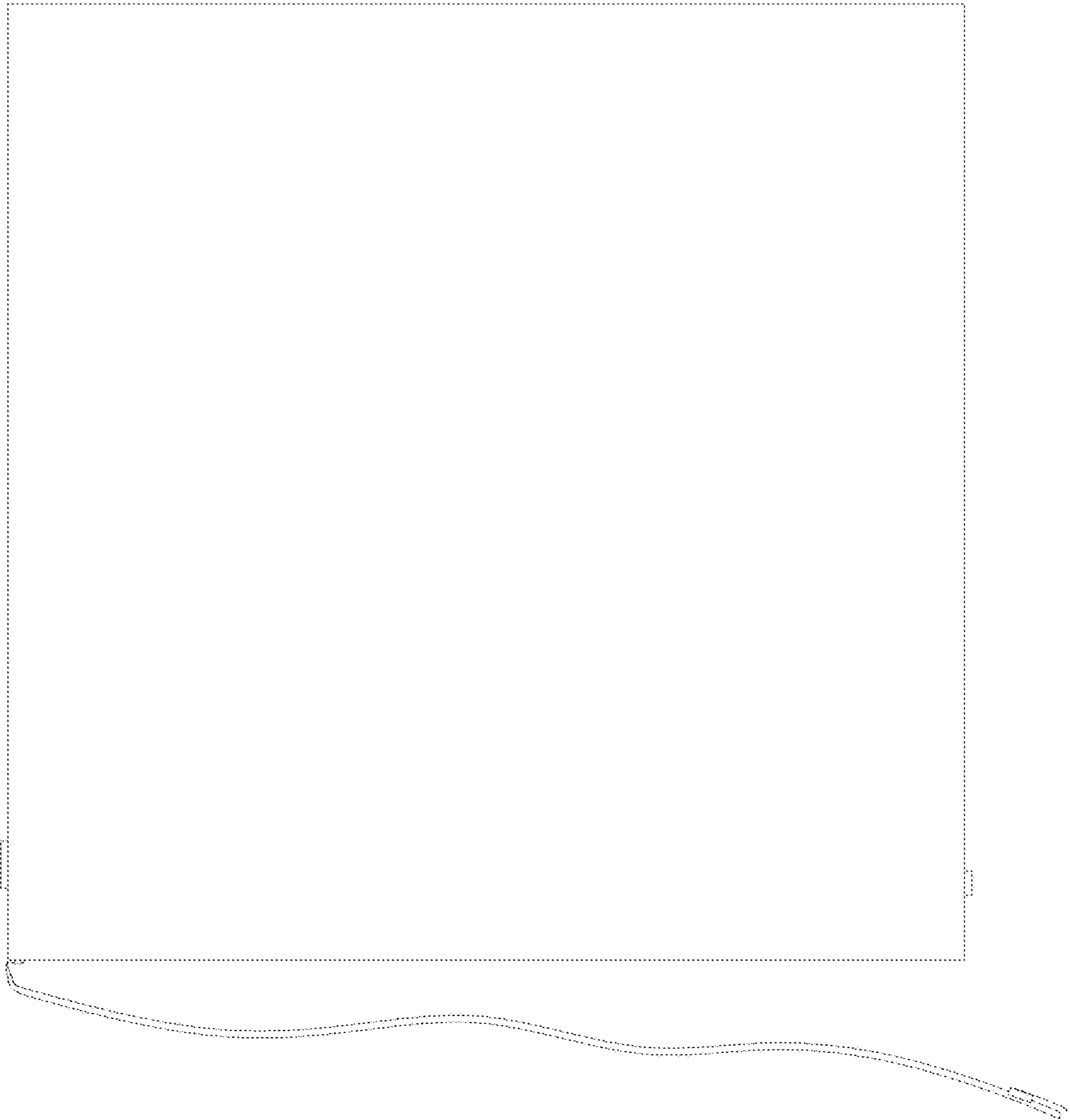
1.1



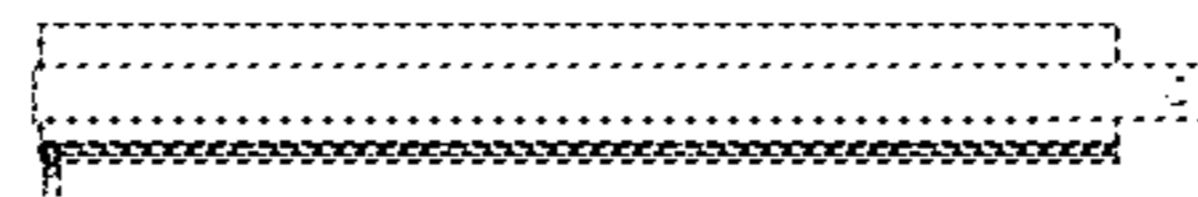
1.2



1.3



1.4



1.5

