



US00D981756S

(12) **United States Design Patent**
Campbell

(10) **Patent No.:** **US D981,756 S**

(45) **Date of Patent:** **** Mar. 28, 2023**

(54) **PILLOW**

(71) Applicant: **Justin Campbell**, London, AR (US)

(72) Inventor: **Justin Campbell**, London, AR (US)

(**) Term: **15 Years**

(21) Appl. No.: **29/777,998**

(22) Filed: **Apr. 9, 2021**

(51) **LOC (14) Cl.** **06-04**

(52) **U.S. Cl.**
USPC **D6/601**

(58) **Field of Classification Search**

USPC D6/595-601, 604, 606; D24/183, 190;
D21/803, 809

CPC A47A 20/00; A47A 20/021; A47D 15/001;
A47D 15/008; A47G 9/00; A47G 9/10;
A47C 7/742; A47C 7/021; A47C 27/00;
B62J 1/26

See application file for complete search history.

(56) **References Cited**

U.S. PATENT DOCUMENTS

- D261,681 S * 11/1981 Chandler D6/601
- 4,375,112 A * 3/1983 Leonhart A47G 9/10
5/639
- 5,088,141 A * 2/1992 Meyer A47G 9/10
5/636
- 6,061,857 A * 5/2000 Deneau A47C 27/144
5/733
- D587,506 S * 3/2009 Chernev D6/601
- D592,753 S * 5/2009 Jacinto D6/601
- D628,298 S * 11/2010 Rubio D6/601
- D629,241 S * 12/2010 Romero D6/601
- D655,559 S 3/2012 Cheng
- D656,356 S 3/2012 Cheng
- 8,661,586 B2 3/2014 Melcher et al.
- D758,762 S 6/2016 Blauweiss
- D794,356 S * 8/2017 McWilliams D6/601
- D808,686 S 1/2018 May et al.
- 9,943,179 B1 4/2018 May et al.

- D816,374 S * 5/2018 Potter D6/601
- D828,922 S * 9/2018 Hansen D6/601
- 10,349,752 B2 7/2019 Melcher et al.
- D862,929 S * 10/2019 Logan D6/596

(Continued)

FOREIGN PATENT DOCUMENTS

- CA 78191 4/1996
- CA 2863982 C 9/2014

(Continued)

OTHER PUBLICATIONS

The original pillow with a hole, posted Nov. 14, 2014 [online], [retrieved Jan. 25, 2023]. Retrieved from internet, <https://www.amazon.com/Original-Pillow-Hole-Your-Friend/dp/B00NCDSINI> (Year: 2014).*

Primary Examiner — Cynthia Ramirez

Assistant Examiner — Carrie A Matteoli

(74) *Attorney, Agent, or Firm* — Hulsey P.C.

(57) **CLAIM**

The ornamental design for a pillow, as shown and described.

DESCRIPTION

FIG. 1 is an isometric view of the pillow showing my new design;

FIG. 2 is a front elevational view of FIG. 1;

FIG. 3 is a rear elevational view of FIG. 1;

FIG. 4 is a right elevational view of FIG. 1;

FIG. 5 is a left side elevational view of FIG. 1;

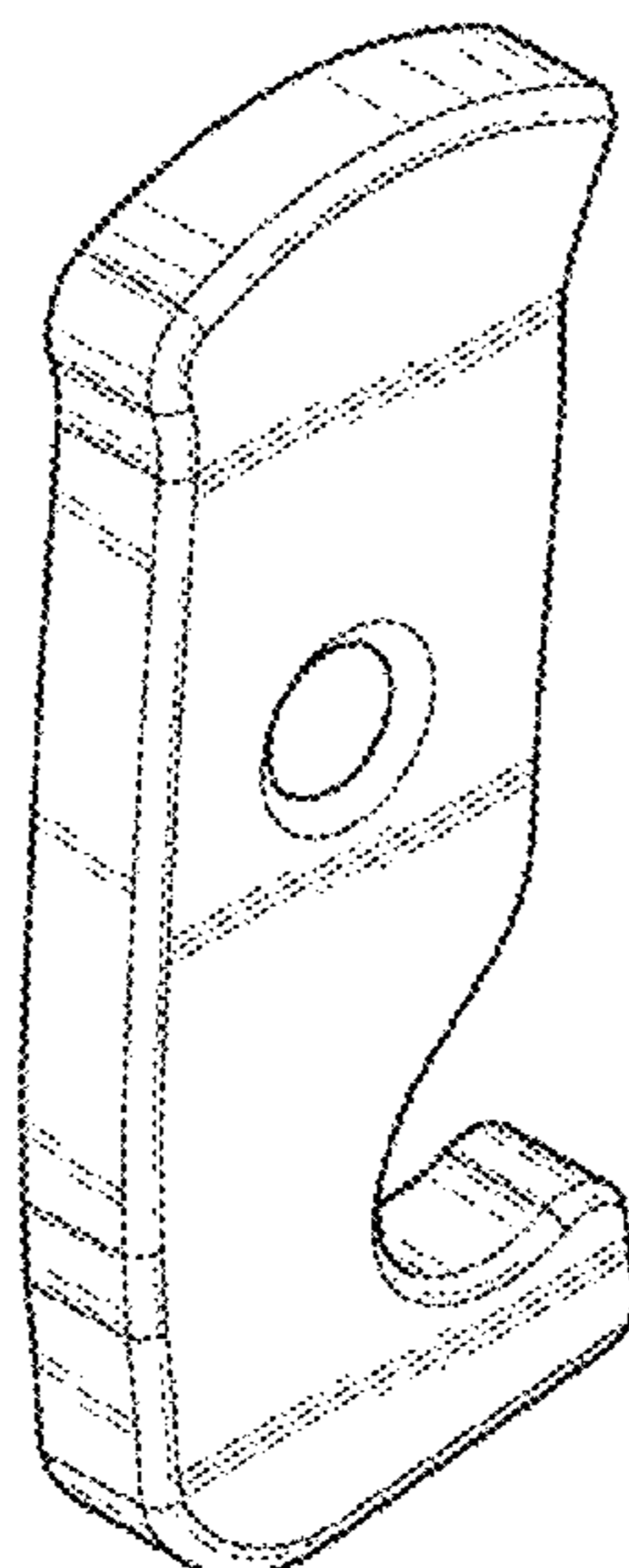
FIG. 6 is a top plan view of FIG. 1;

FIG. 7 is a bottom plan view of FIG. 1; and,

FIG. 8 is an enlarged in use view of the pillow.

The broken lines are included for the purpose of illustrating features of the pillow that form no part of the claimed design.

1 Claim, 4 Drawing Sheets



(56)

References Cited

U.S. PATENT DOCUMENTS

2016/0135623 A1* 5/2016 Montzka A47G 9/0253
5/490
2018/0344042 A1 12/2018 Melcher et al.

FOREIGN PATENT DOCUMENTS

CN	3021744	11/1993
CN	3386036	8/2004
CN	300700314	10/2007
CN	201067259 Y	6/2008
CN	105982456 A	6/2016
CN	206453622 U	9/2017
CN	304459015	1/2018
CN	304804241	9/2018
CN	211022008 U	5/2019
CN	306001382	8/2020
CN	211632666 U	10/2020
EM	001884479-0001	8/2011
GB	2094161	7/2000
JP	1666550	8/2020
KR	1020090046633 A	11/2007
KR	301025792.0000	10/2019

* cited by examiner

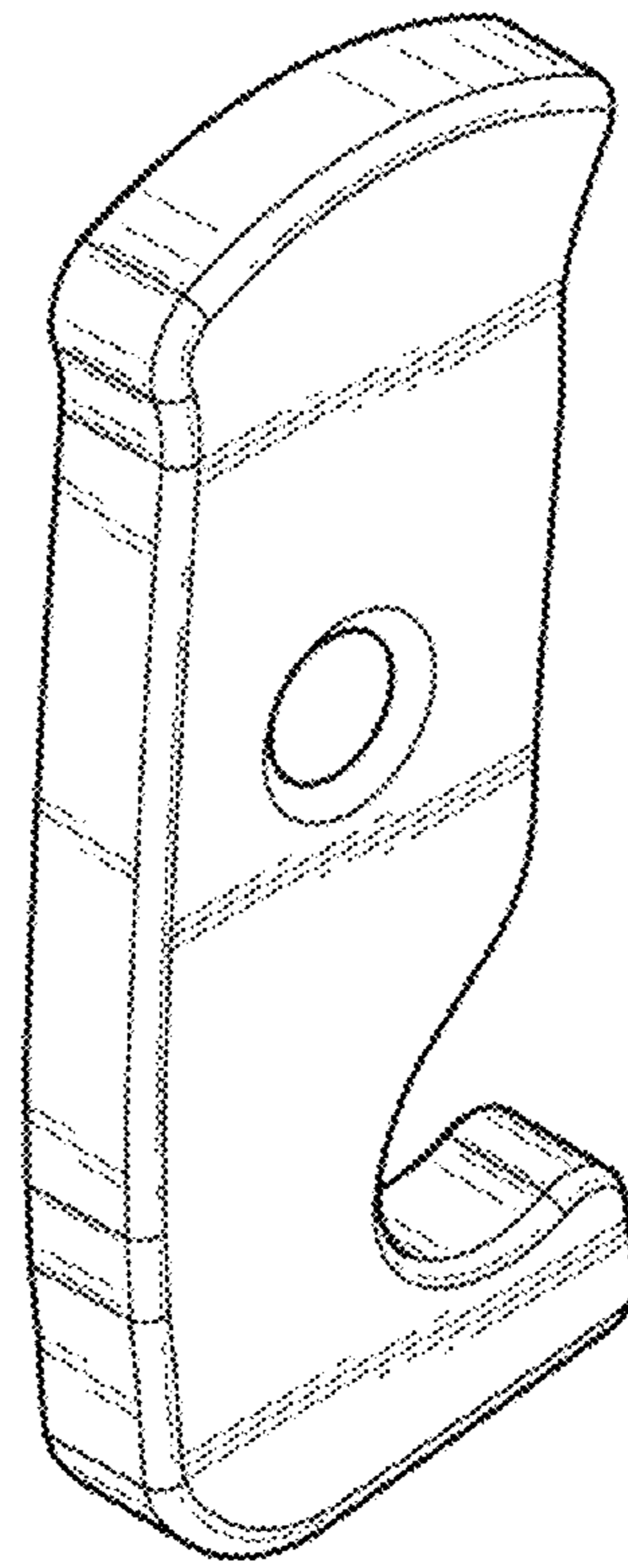


FIG. 1

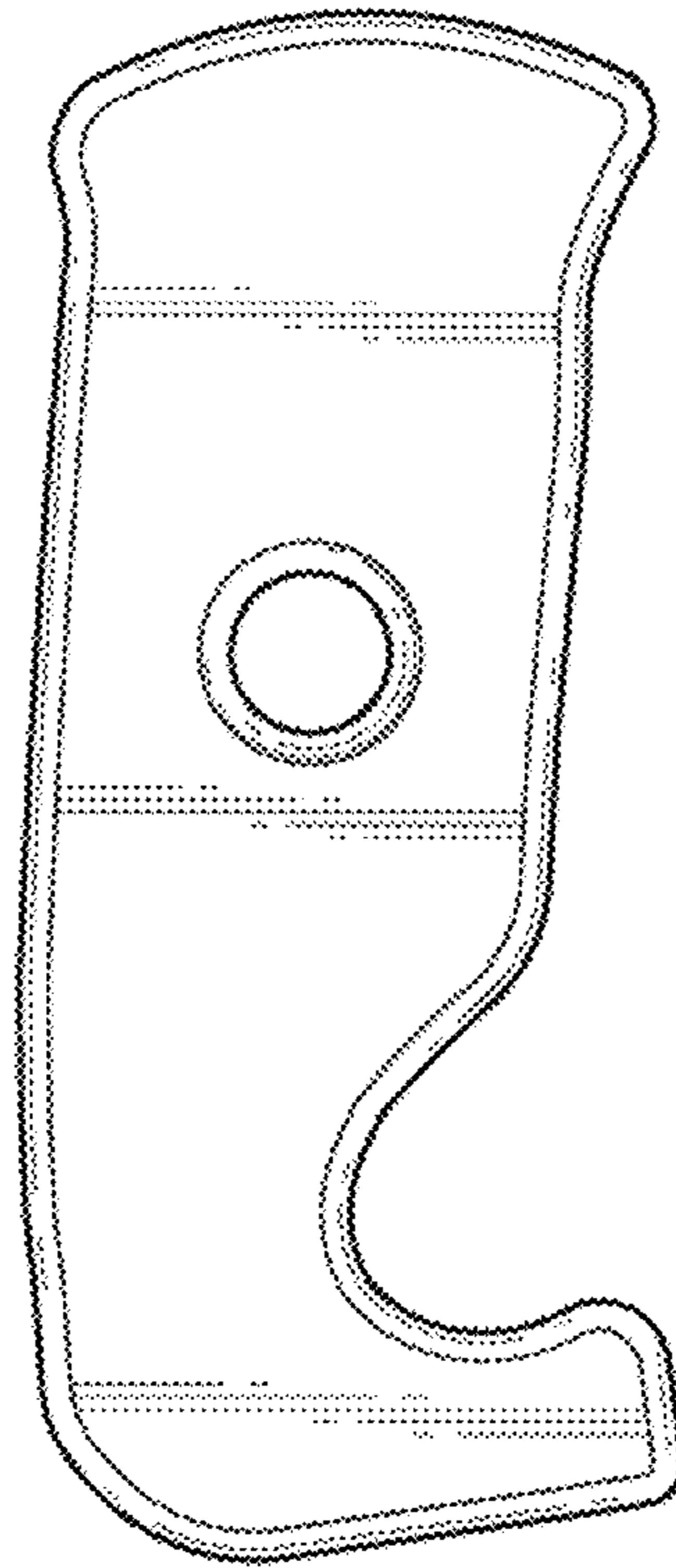


FIG. 2

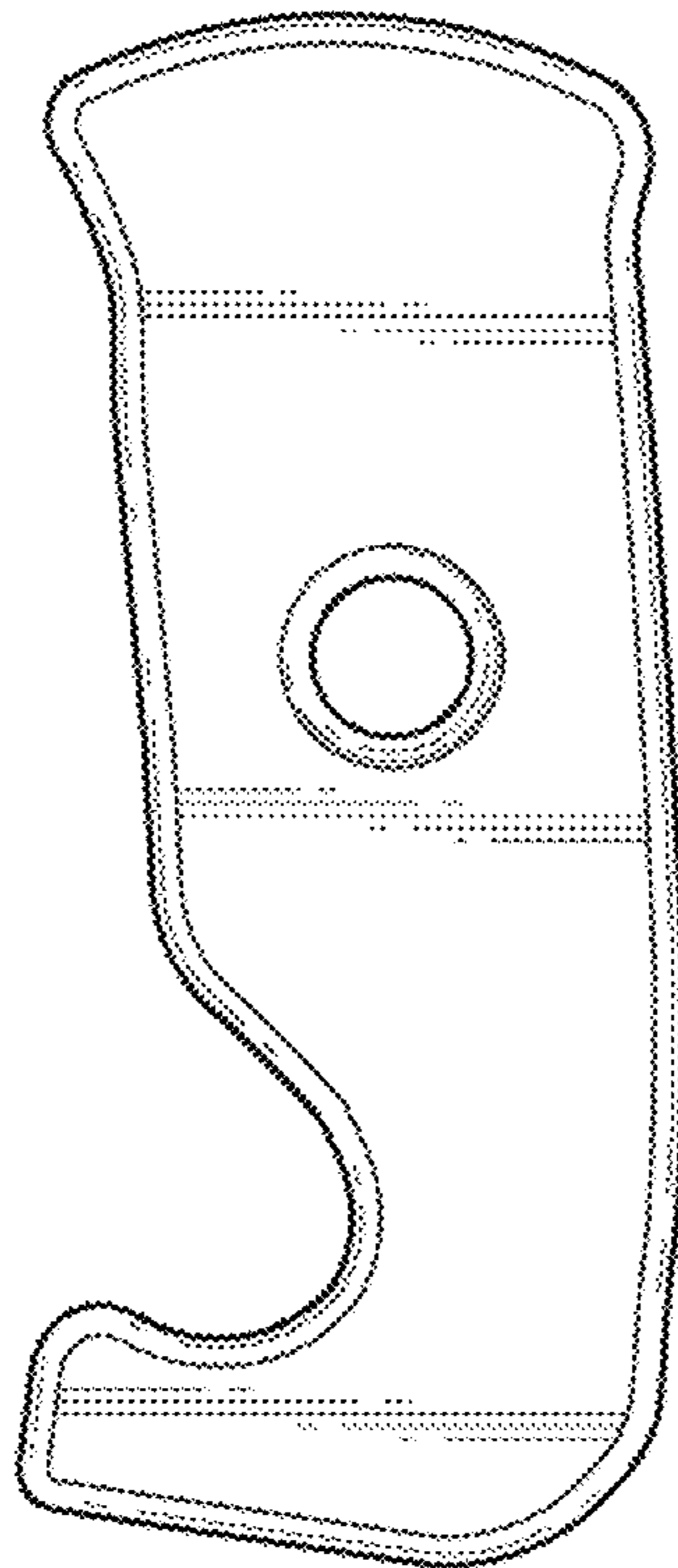


FIG. 3



FIG. 4

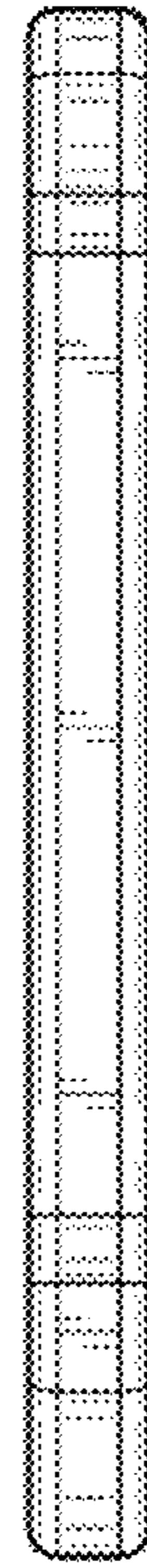


FIG. 5



FIG. 6

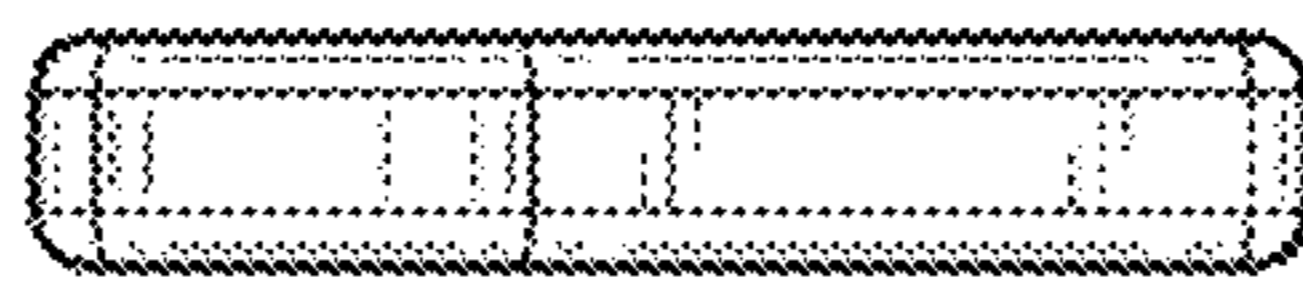


FIG. 7



FIG. 8