



US00D981755S

(12) **United States Design Patent** (10) **Patent No.:** **US D981,755 S**
Botea (45) **Date of Patent:** **** Mar. 28, 2023**

(54) **FLOOR MAT**
(71) Applicant: **Dragos Botea**, Bucharest (RO)
(72) Inventor: **Dragos Botea**, Bucharest (RO)
(*) Notice: Patent file contains an affidavit/declaration under 37 CFR 1.130(b).
(**) Term: **15 Years**
(21) Appl. No.: **29/734,715**
(22) Filed: **May 14, 2020**
(51) **LOC (14) Cl.** **06-11**
(52) **U.S. Cl.**
USPC **D6/592; D6/582**
(58) **Field of Classification Search**
USPC D6/582-585, 587-588, 592
CPC A47G 27/0206; A47G 27/0225
See application file for complete search history.

D701,062 S * 3/2014 Kinsella D6/582
D949,597 S * 4/2022 Johansson D6/582
D949,598 S * 4/2022 Johansson D6/582
2009/0004443 A1* 1/2009 Nelson B32B 29/005
428/220
2011/0296801 A1* 12/2011 Cheris A47G 27/0206
428/167
2019/0247706 A1* 8/2019 Brooks A63B 21/4037

FOREIGN PATENT DOCUMENTS

CN 209436835 U † 9/2019

OTHER PUBLICATIONS

Office Chair Mat with Anti Fatigue Cushioned Foam by Mushyn Store. sold on amazon.com. Jun. 24, 2019. Accessed on Mar. 26, 2022 (Year: 2019).*

(Continued)

Primary Examiner — Kevin K Rudzinski
Assistant Examiner — Clare Ann Gannon
(74) *Attorney, Agent, or Firm* — Garvey Adam LLP;
Joshua A. Schaul

(56) **References Cited**

U.S. PATENT DOCUMENTS

3,333,805 A * 8/1967 Marshall A47G 27/0206
248/188.9
3,427,705 A * 2/1969 Campbell A47G 27/0206
156/163
3,616,118 A * 10/1971 Porter A47G 27/0206
428/96
3,793,128 A * 2/1974 Chancellor, Jr. ... A47G 27/0206
428/141
5,073,428 A * 12/1991 Lancelot A47G 27/0206
428/61
6,177,165 B1* 1/2001 Robbins, III B29C 48/35
428/80
D522,299 S * 6/2006 Robbins, III A47G 27/0206
D6/582
D554,208 S * 10/2007 Palaszek A47G 27/0206
D21/662
D642,844 S * 8/2011 Cheris A47G 27/0206
D6/582

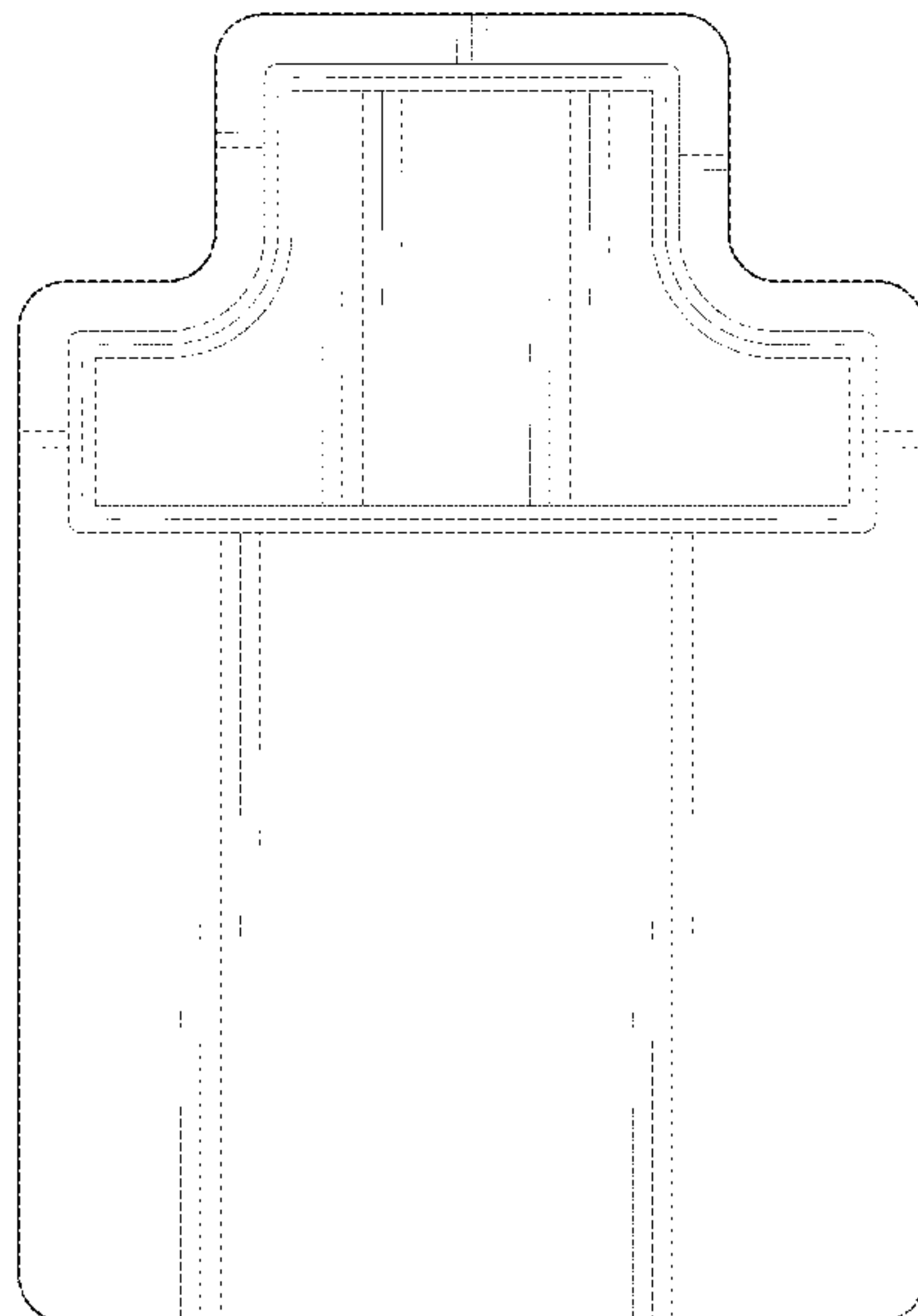
(57) **CLAIM**

The ornamental design for a floor mat, as shown and described.

DESCRIPTION

FIG. 1 illustrates a top elevation view of the claimed design for a floor mat;
FIG. 2 illustrates a bottom elevational view thereof;
FIG. 3 illustrates a perspective view of the top elevational view thereof;
FIG. 4 illustrates a rear view thereof;
FIG. 5 illustrates a front view thereof; and,
FIG. 6 illustrates a side view thereof.

1 Claim, 6 Drawing Sheets



(56)

References Cited

OTHER PUBLICATIONS

Homek Office Chair Mat for Hardwood Floor with Footrest—
Standing Desk Anti Fatigue Mat, Jan. 2, 2020, https://www.amazon.com/Homek-Office-Chair-Hardwood-Footrest/dp/B083FG3CJ8/ref=pd_rhf_se_p_img_10?_encoding=UTF8&psc=1&refRID=B95KR90329B6197RGFH9. †

Office Chair Mat with Anti Fatigue Cushioned Foam, Jan. 29, 2019, https://www.amazon.com/Office-Chair-Anti-Fatigue-Cushioned/dp/B07N7GCZJD/ref=sr_1_3_sspa?dchild=1&keywords=chair+mat&qid=1614910704&sr=8-3-spons&psc=1&spLa=ZW5jcnlwdGVkUXVhbGlmaWVyPUFRNVhCR04xTEs5MjEmZW5jcnlwdGVkSWQ9QTAwMzM4NjEzVDhJVzMySjJVV0pJJmVuY3J5cHRIZEFkSWQ9QTA5NzA2MDkyTTQ5WEFOWjFEN01PJndpZGdlE5hbWU9c3BfYXRmJmFjdGlvbj1jbGlja1JIZGlyZWN0JmRvTm90TG9nQ2xpY2s9dHJ1ZQ==. †

Amazon Basics Polycarbonate Carpet Chair Floor Mat, Jun. 11, 2019, https://www.amazon.com/AmazonBasics-Polycarbonate-Carpet-Chair-Mat/dp/B07GQ4D6Z4/ref=sr_1_1_sspa?dchild=1&keywords=chair+mat&qid=1616546225&sr=8-1-spons&psc=1&spLa=ZW5jcnlwdGVkUXVhbGlmaWVyPUFGMldZUTI0TEQxNzcmZW5jcnlwdGVkSWQ9QTEwMzA4NjUxVzZaR0E3V0hCSzRYJmVuY3J5cHRIZEFkSWQ9QTA3OTg2NjYxU0VXUFVGTVIPMIJQJndpZGdlE5hbWU9c3BfYXRmJmFjdGlvbj1jbGlja1JIZGlyZWN0JmRvTm90TG9nQ2xpY2s9dHJ1ZQ==. †

* cited by examiner

† cited by third party

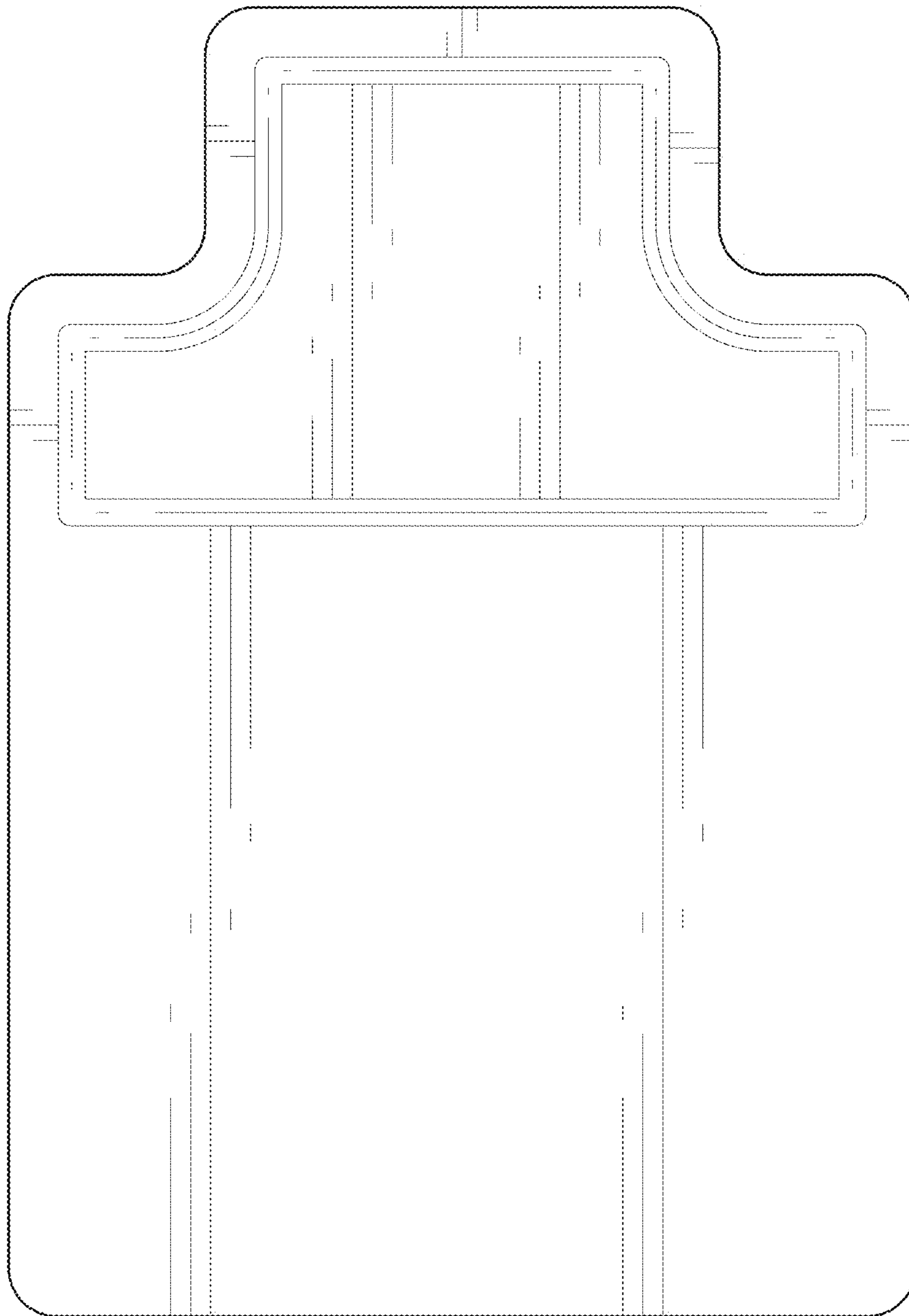


FIG. 1

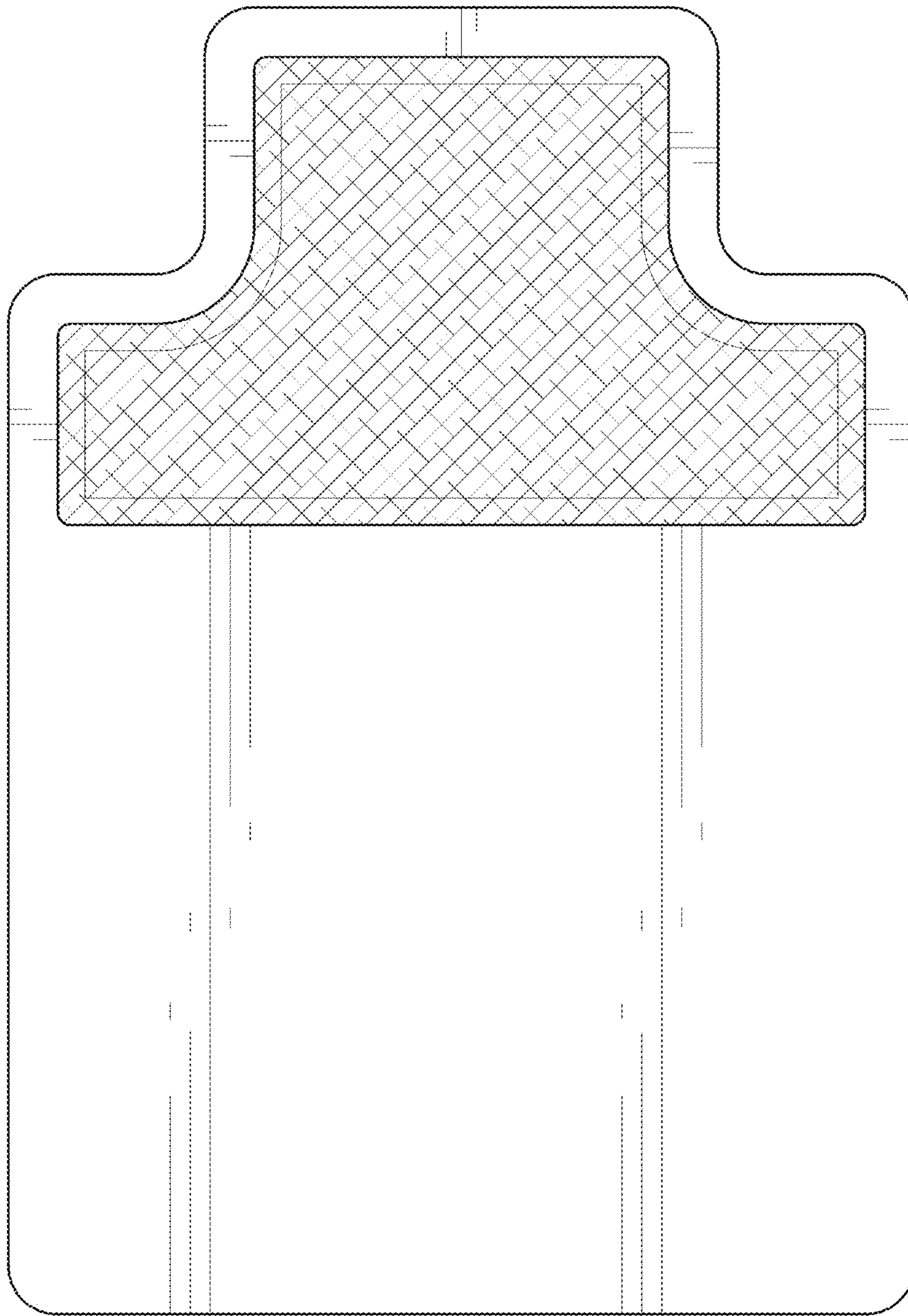


FIG. 2

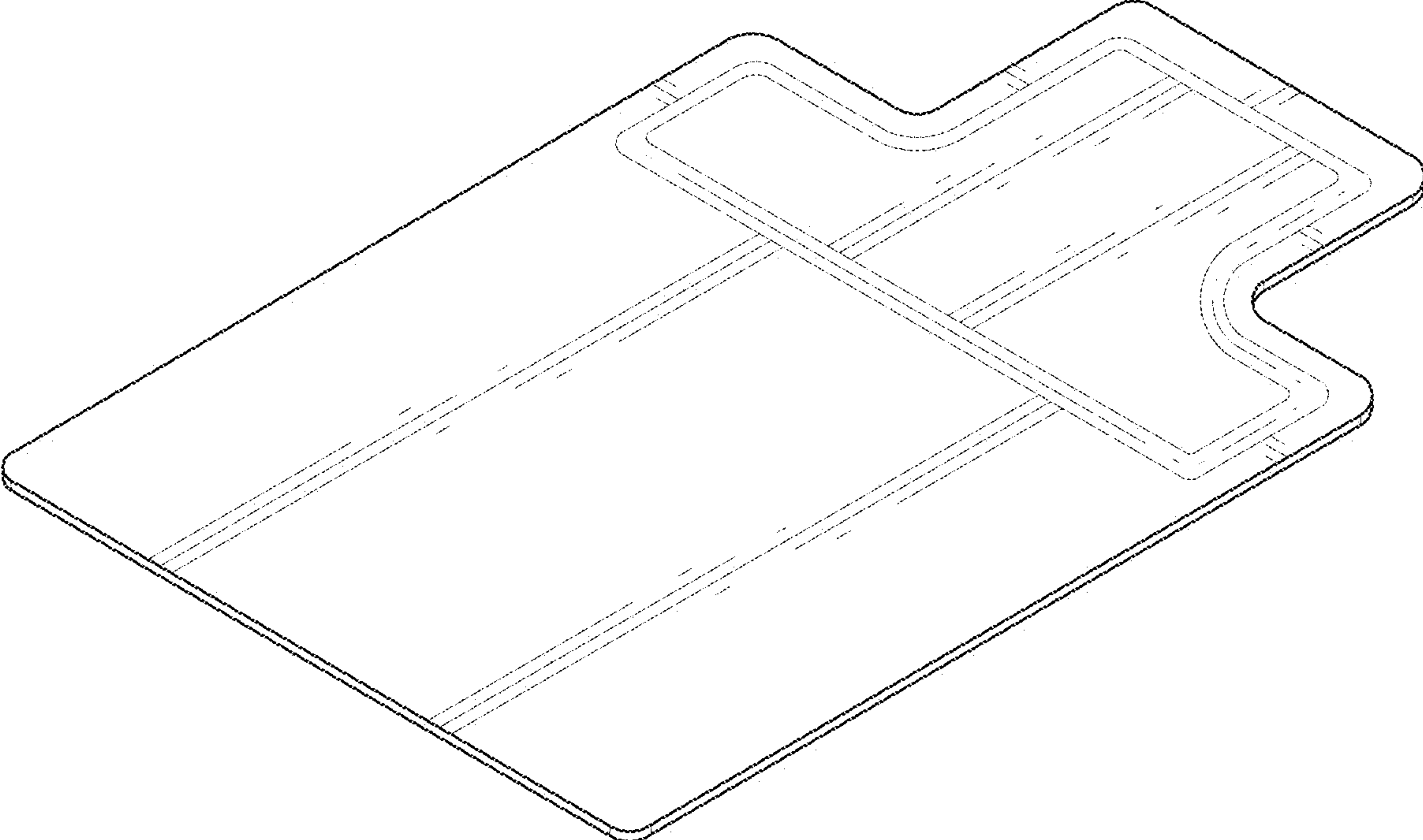


FIG. 3



FIG. 4



FIG. 5

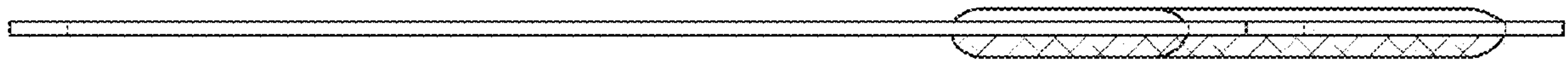


FIG. 6