



US00D981754S

(12) **United States Design Patent**  
**Garland**

(10) **Patent No.:** **US D981,754 S**

(45) **Date of Patent:** **\*\* Mar. 28, 2023**

(54) **TOWEL BAR**

(71) Applicant: **DELTA FAUCET COMPANY,**  
Indianapolis, IN (US)

(72) Inventor: **Celine Kwok Garland,** Zionsville, IN  
(US)

(73) Assignee: **DELTA FAUCET COMPANY,**  
Indianapolis, IN (US)

(\*\*) Term: **15 Years**

(21) Appl. No.: **29/773,745**

(22) Filed: **Mar. 11, 2021**

(51) **LOC (14) Cl.** ..... **23-08**

(52) **U.S. Cl.**  
USPC ..... **D6/549**

(58) **Field of Classification Search**  
USPC ..... D6/548, 524, 546, 549, 550, 551, 553,  
D6/681, 681.1; D8/303, 321, 352  
CPC ..... A47F 7/24; A47K 10/06; A47B 45/00  
See application file for complete search history.

(56) **References Cited**

**U.S. PATENT DOCUMENTS**

D259,753 S *	7/1981	Fleischmann	.....	D6/549
D450,212 S *	11/2001	Gottwald	.....	D6/549
D454,742 S *	3/2002	Meck	.....	D6/549
D463,935 S *	10/2002	Zhao	.....	D6/549
D472,417 S *	4/2003	Hunt	.....	D6/549
D489,559 S *	5/2004	Fraser	.....	D6/549
D498,629 S *	11/2004	Fuchs	.....	D6/549
D503,061 S *	3/2005	Fuchs	.....	D6/549
6,896,228 B1 *	5/2005	Lu	.....	A47K 10/10 248/205.8
D516,849 S *	3/2006	Ferrer Beltran	.....	D6/549
D672,178 S *	12/2012	Walker	.....	D6/549

D846,301 S *	4/2019	Garland	.....	D6/549
D898,412 S *	10/2020	Garland	.....	D6/549
D913,721 S *	3/2021	Fritz	.....	D6/549
2012/0067837 A1 *	3/2012	He	.....	A47K 10/10 211/1

**OTHER PUBLICATIONS**

Delta Alux Satin Nickel Single Towel Bar, available in Amazon.com, date first available Apr. 28, 2019 [online], Retrieved on Aug. 25, 2022 from URL: <https://www.amazon.com/Delta-Satin-Nickel-Single-Towel/dp/B07R8QQF6W> (Year: 2019).\*

\* cited by examiner

*Primary Examiner* — Vy N Koenig

*Assistant Examiner* — Michelle M Reeves

(74) *Attorney, Agent, or Firm* — Jeffrey L. Doyle

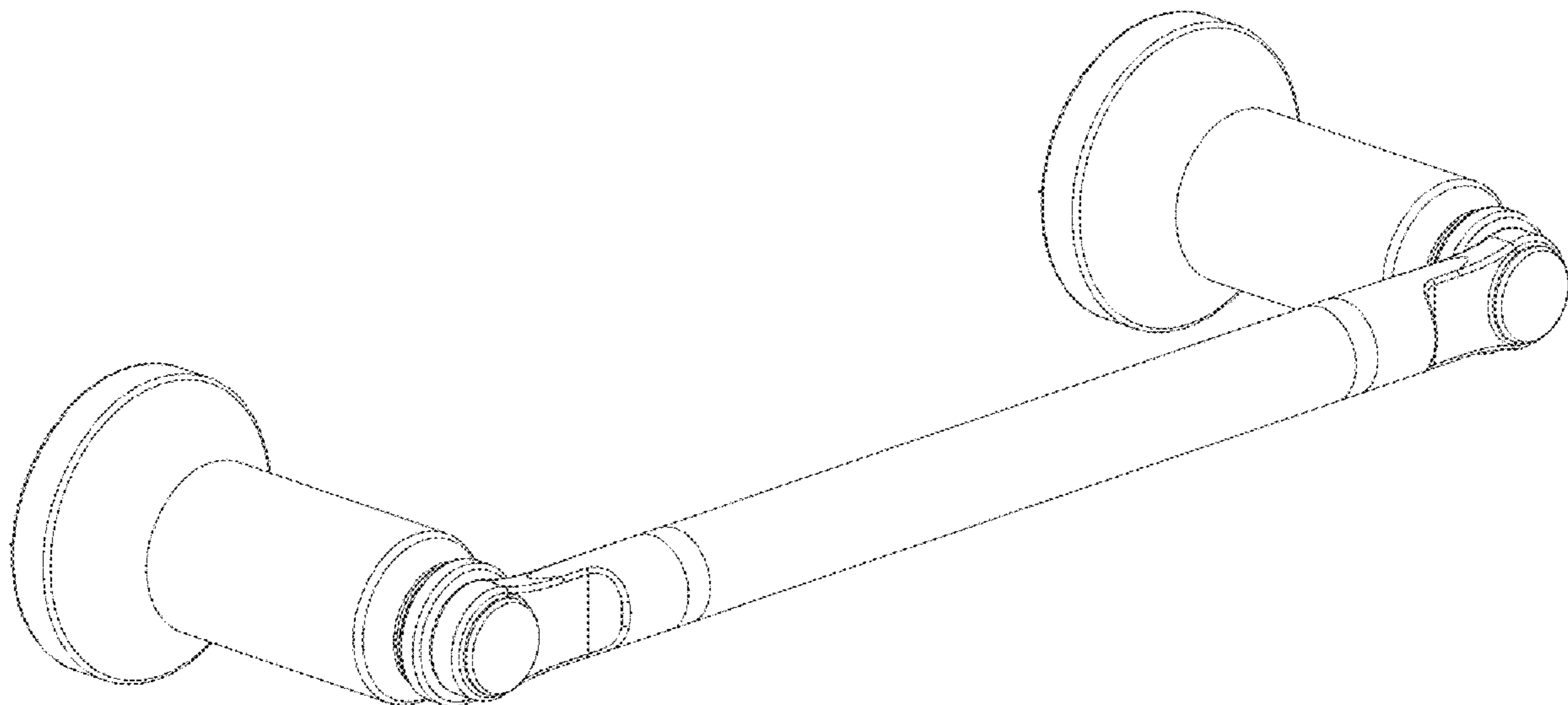
(57) **CLAIM**

The ornamental design for a towel bar, as shown and described.

**DESCRIPTION**

FIG. 1 is a front perspective view of a towel bar showing my new design;  
FIG. 2 is a rear perspective view thereof;  
FIG. 3 is a right side view thereof;  
FIG. 4 is a front elevational view thereof;  
FIG. 5 is a rear view thereof;  
FIG. 6 is a left side view thereof;  
FIG. 7 is a top plan view thereof; and,  
FIG. 8 is a bottom view thereof.

**1 Claim, 4 Drawing Sheets**



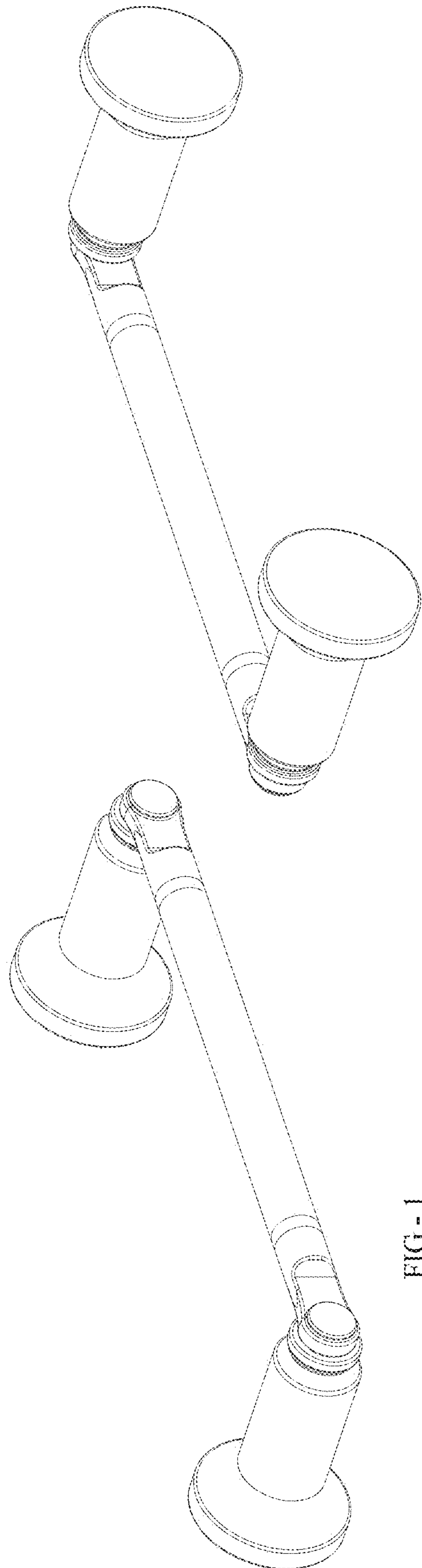


FIG - 1

FIG - 2

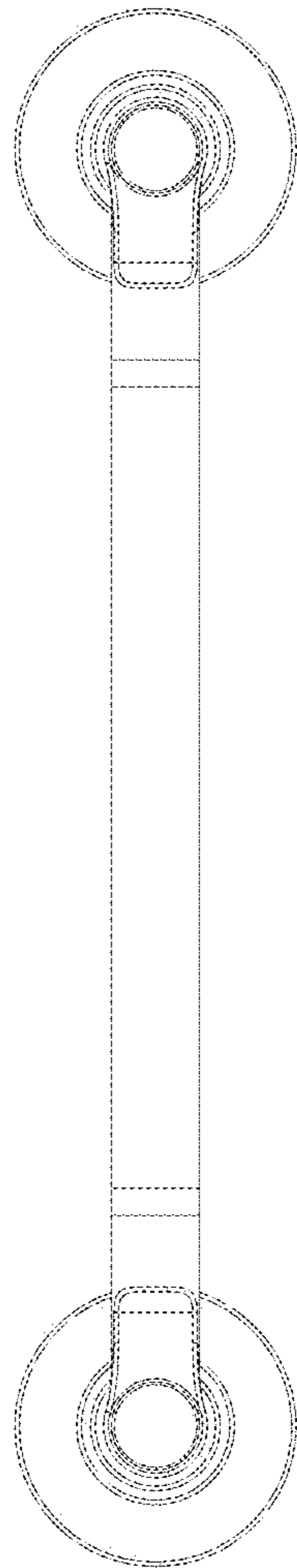


FIG - 4

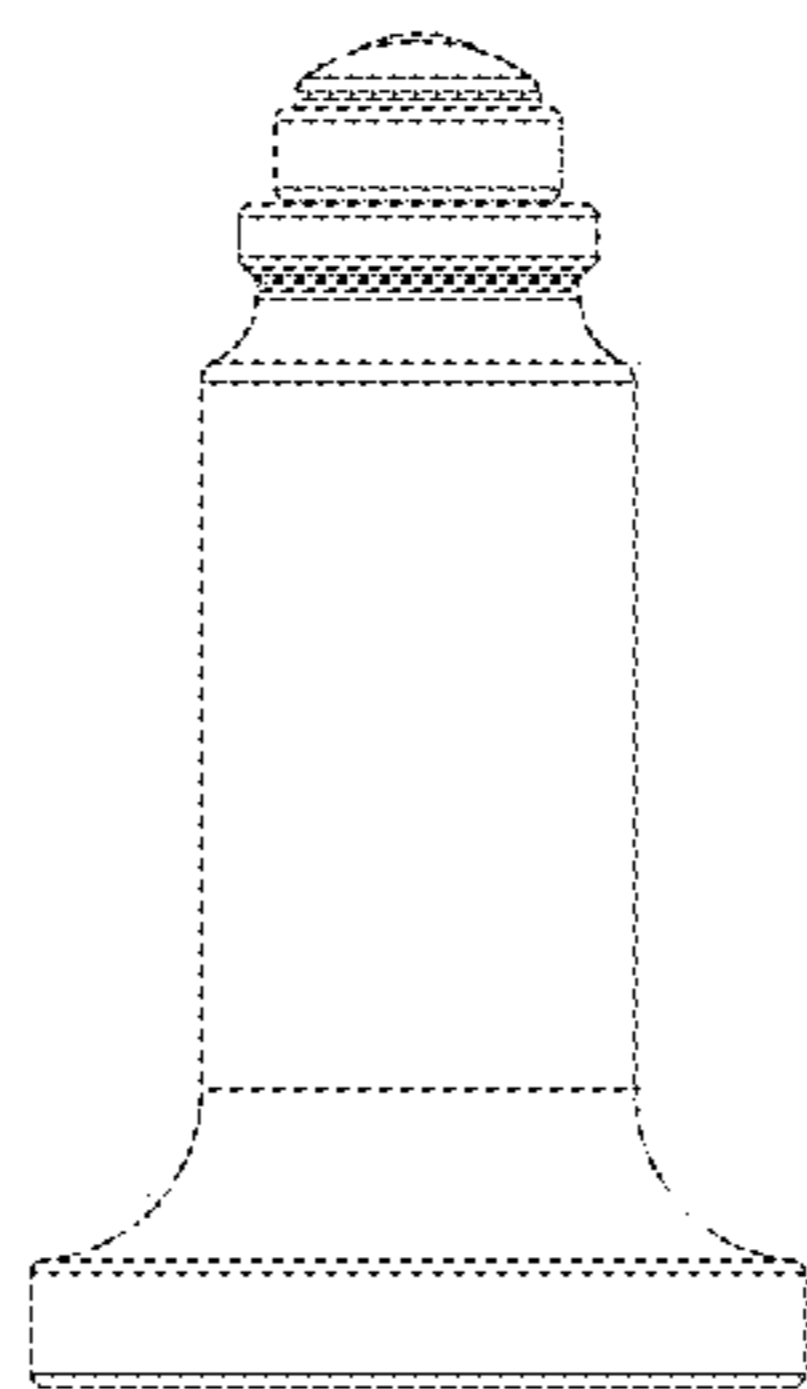


FIG - 3

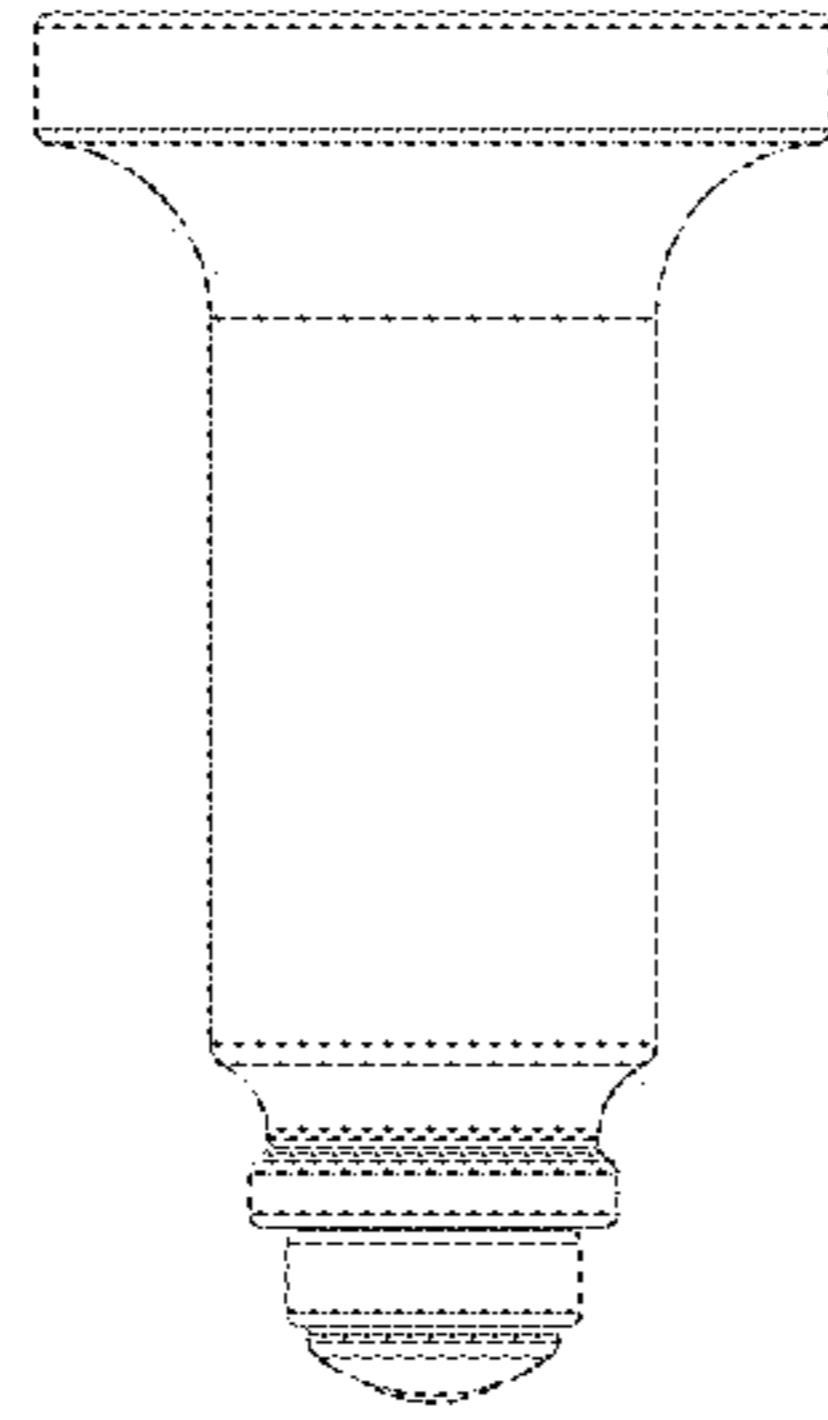


FIG - 6

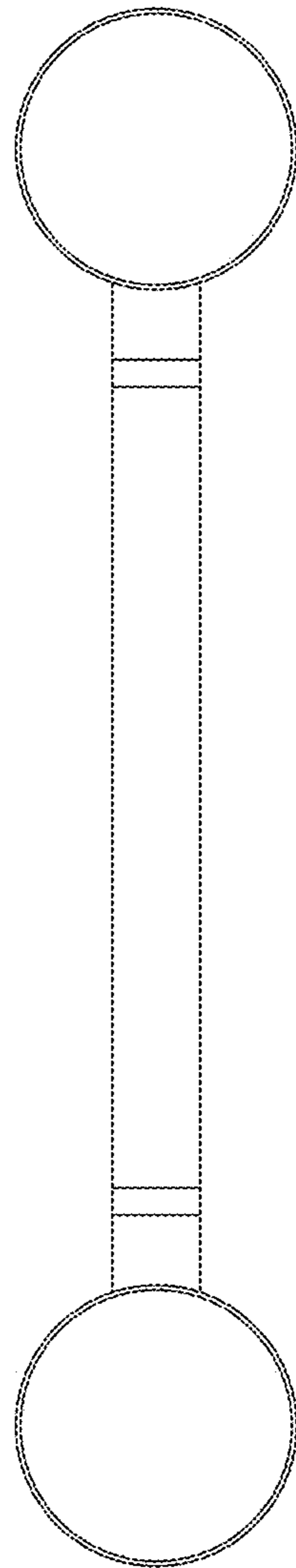


FIG - 5



FIG - 7

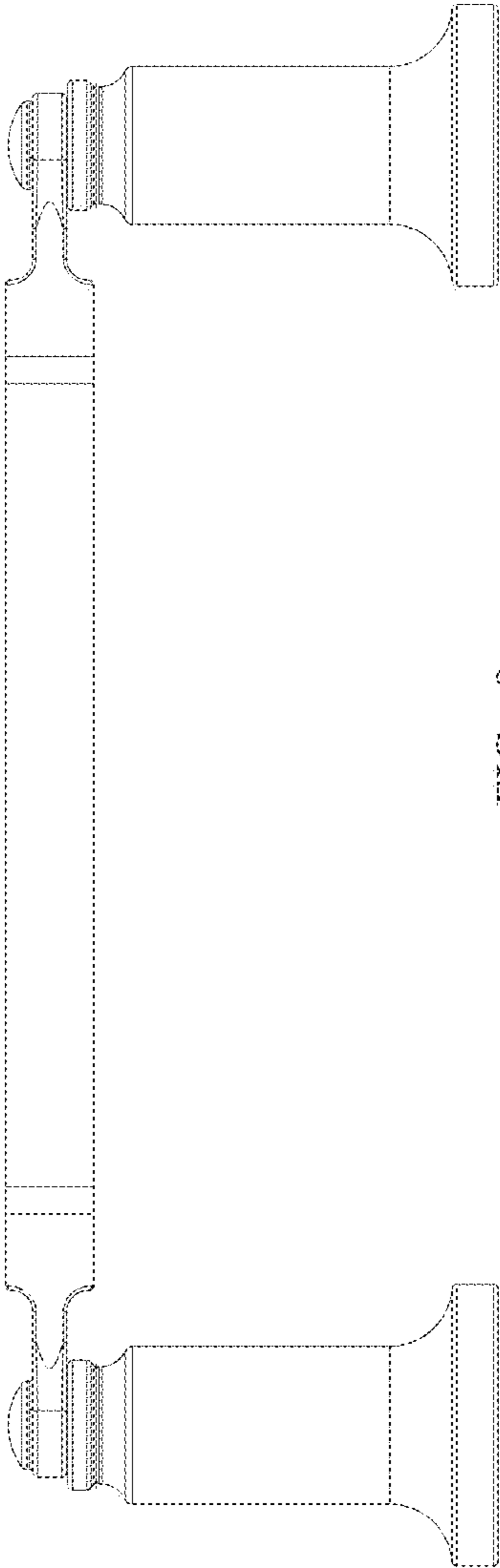


FIG - 8