



US00D981753S

(12) **United States Design Patent** (10) **Patent No.:** **US D981,753 S**
Park (45) **Date of Patent:** **** Mar. 28, 2023**

(54) **TOWEL BAR**
(71) Applicant: **DELTA FAUCET COMPANY,**
Indianapolis, IN (US)
(72) Inventor: **Maris Park,** McCordsville, IN (US)
(73) Assignee: **DELTA FAUCET COMPANY,**
Indianapolis, IN (US)
(**) Term: **15 Years**
(21) Appl. No.: **29/737,925**
(22) Filed: **Jun. 12, 2020**
(51) **LOC (14) Cl.** **23-08**
(52) **U.S. Cl.**
USPC **D6/549**
(58) **Field of Classification Search**
USPC D6/523, 524, 546, 549; D8/315, 316;
D23/304
CPC A47K 5/08; A47K 10/01; A47K 10/04;
A47K 10/06; A47K 10/08; A47K 10/10;
A47K 10/16; A47F 5/08; F16B 5/123;
F16M 13/02; E05B 1/00; E05B 16/11
See application file for complete search history.

D836,946 S * 1/2019 Rutgers D6/549
D952,438 S * 5/2022 Park D8/315
D952,439 S * 5/2022 Park D8/316
D968,193 S * 11/2022 Habbouch D8/316

FOREIGN PATENT DOCUMENTS

CA 151895 * 2/2015
CN 307501657 * 8/2022
KR 301185528.0000 * 10/2022

OTHER PUBLICATIONS

Moen Triva Chrome 9" Bathroom Hand-Towel Bar, BP1886CH
<https://a.co/d/15kVLF5>, May 6, 2019 (Year: 2019).*
Gatco 4050A Elevate Towel Bar, 30 Inch, Chrome <https://a.co/d/2Djlvjh>, Jun. 7, 2019 (Year: 2019).*

* cited by examiner

Primary Examiner — Jennifer L Rempfer
Assistant Examiner — Bethany Louise Mallino
(74) *Attorney, Agent, or Firm* — Jeffrey L. Doyle

(57) **CLAIM**

The ornamental design for a towel bar, as shown and described.

(56) **References Cited**

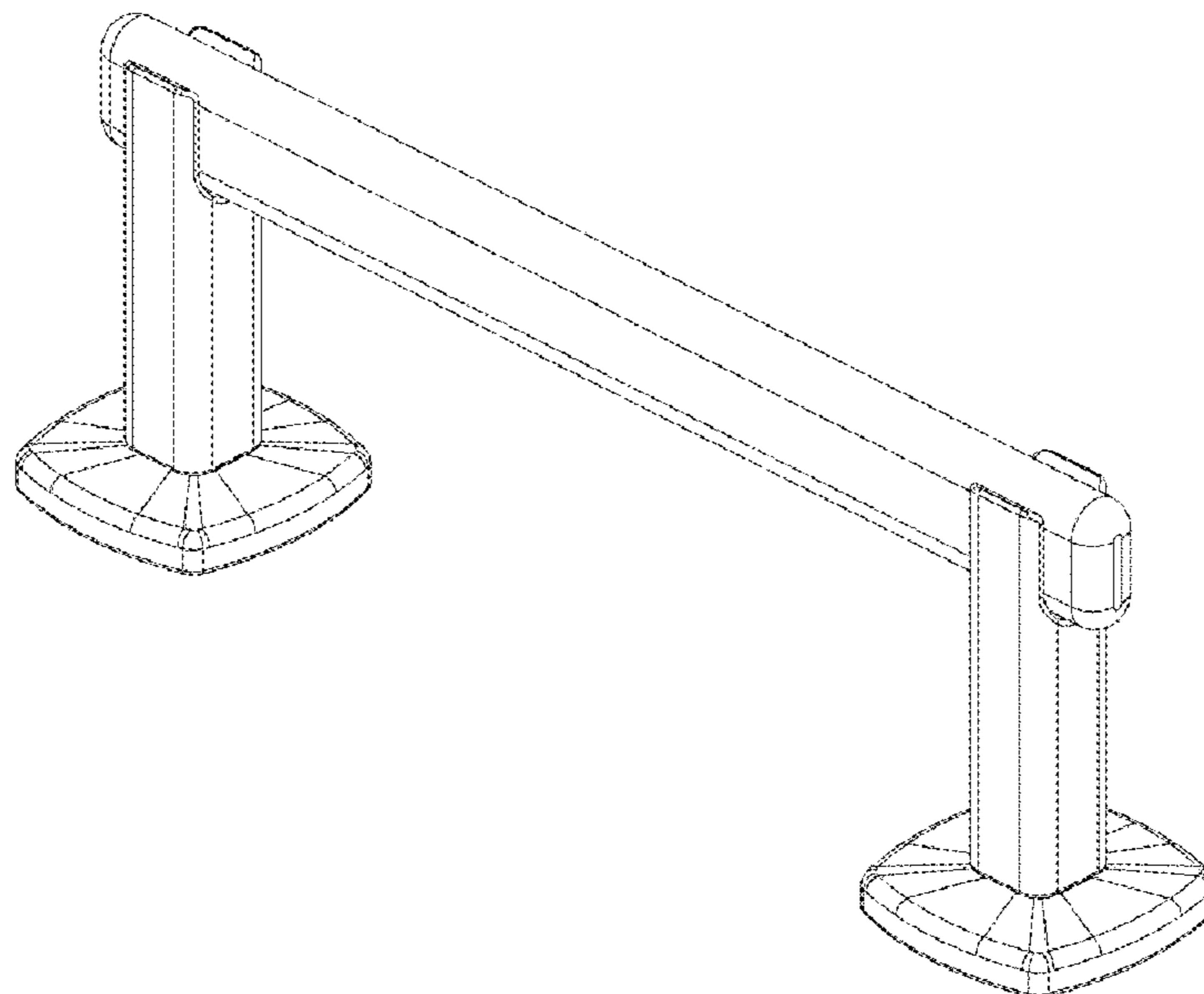
U.S. PATENT DOCUMENTS

1,759,319 A * 5/1930 Monroe A47J 47/16
248/251
2,956,767 A * 10/1960 Unetic A47K 3/003
248/251
D267,840 S * 2/1983 Cohen D6/549
D312,935 S * 12/1990 Chap D6/549
D334,315 S * 3/1993 Bengtson D23/304
D394,970 S * 6/1998 Ho D6/524
D426,095 S * 6/2000 Chen D6/549
D516,350 S * 3/2006 Chen D6/549
D516,850 S * 3/2006 Shieh D6/549
D784,728 S * 4/2017 Eads D6/549

DESCRIPTION

FIG. 1 is a front perspective view of a towel bar showing my new design;
FIG. 2 is a rear perspective view thereof;
FIG. 3 is a front elevational view thereof;
FIG. 4 is a left side view thereof;
FIG. 5 is a rear view thereof;
FIG. 6 is a right side view thereof;
FIG. 7 is a top plan view thereof; and,
FIG. 8 is a bottom view thereof.

1 Claim, 4 Drawing Sheets



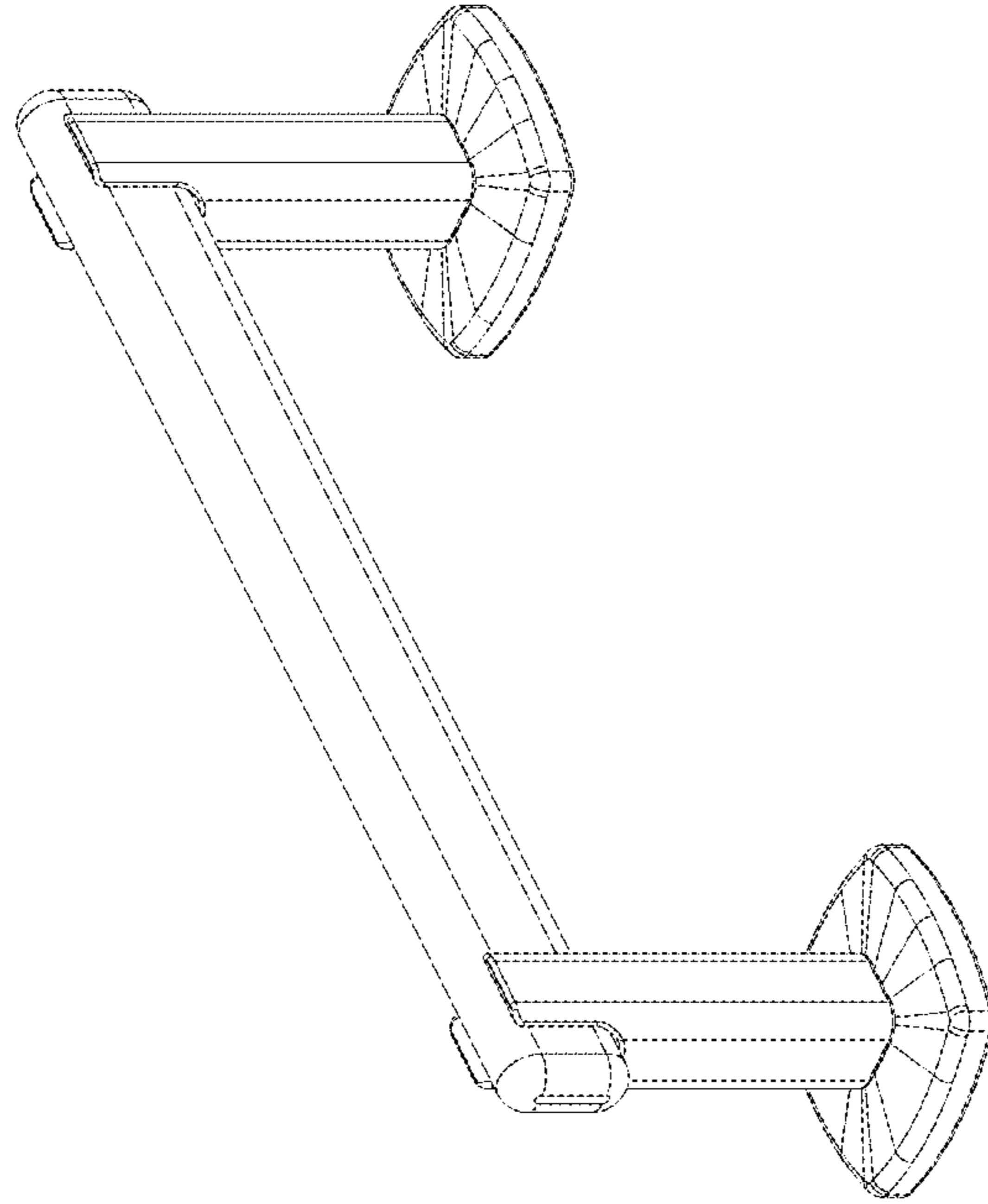


FIG-2

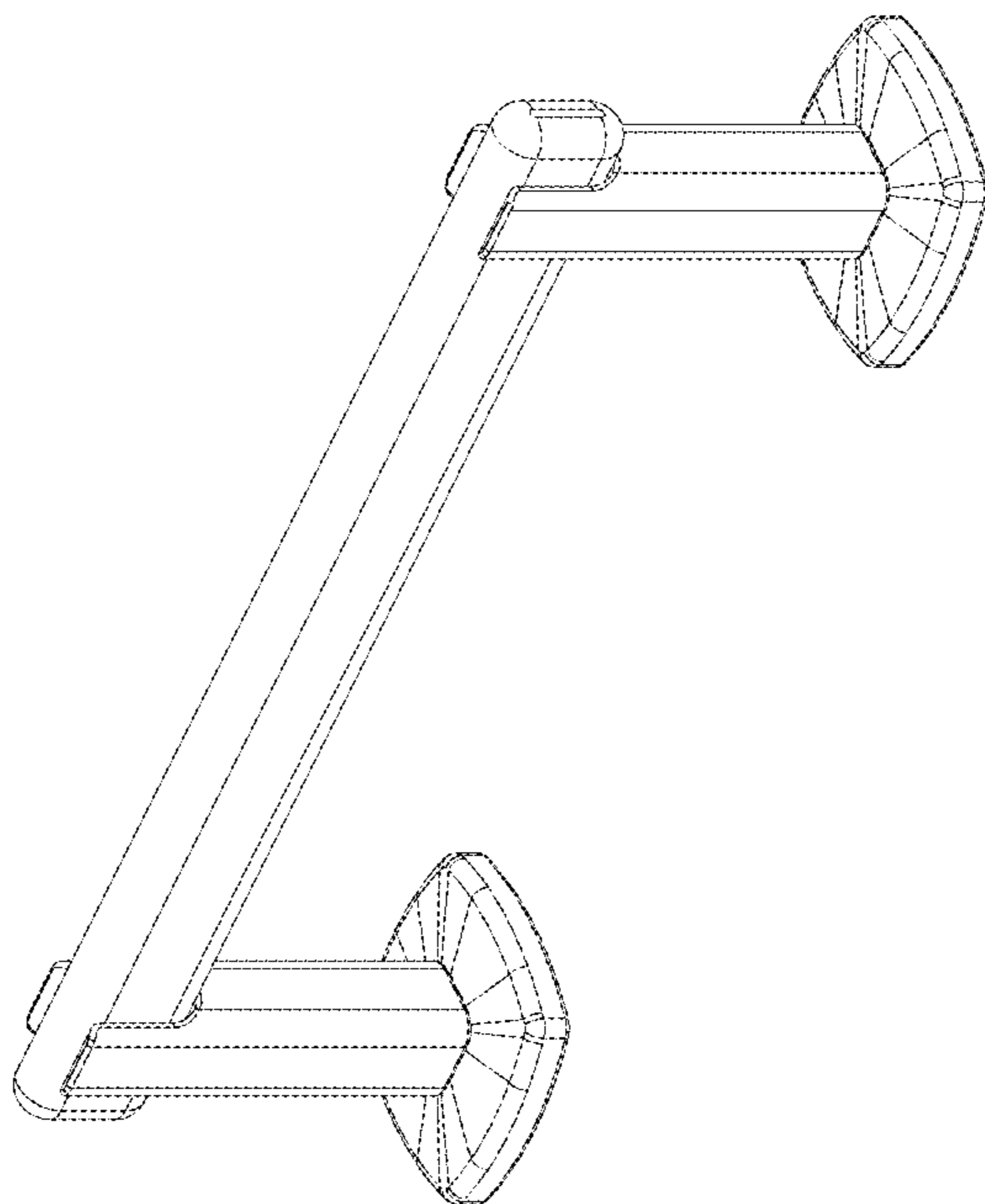


FIG-1

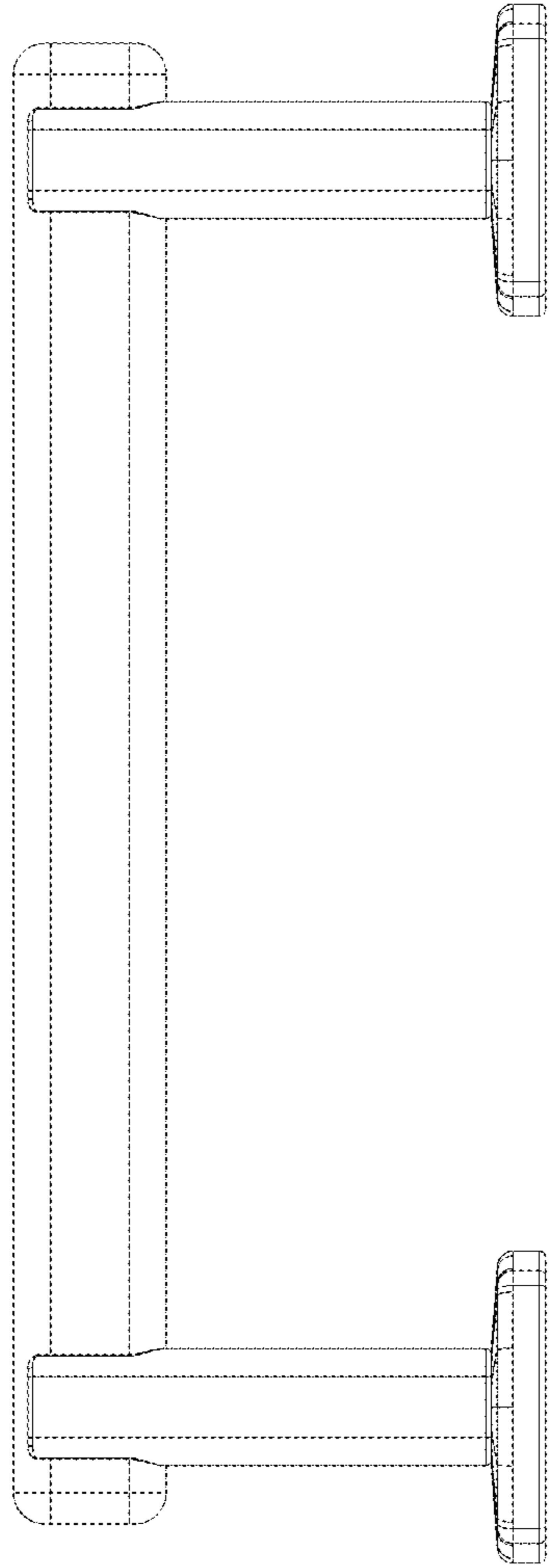


FIG-4

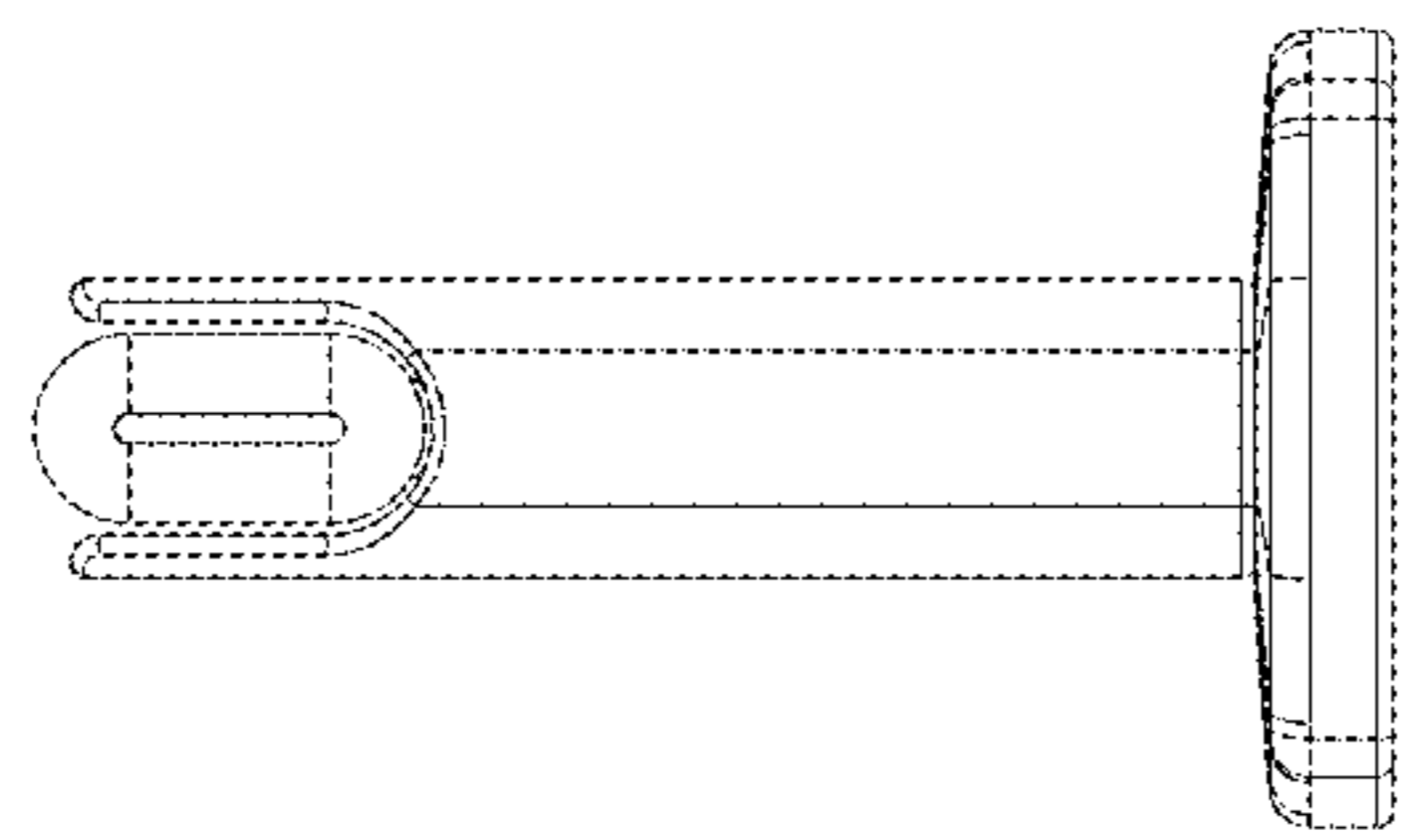


FIG-3

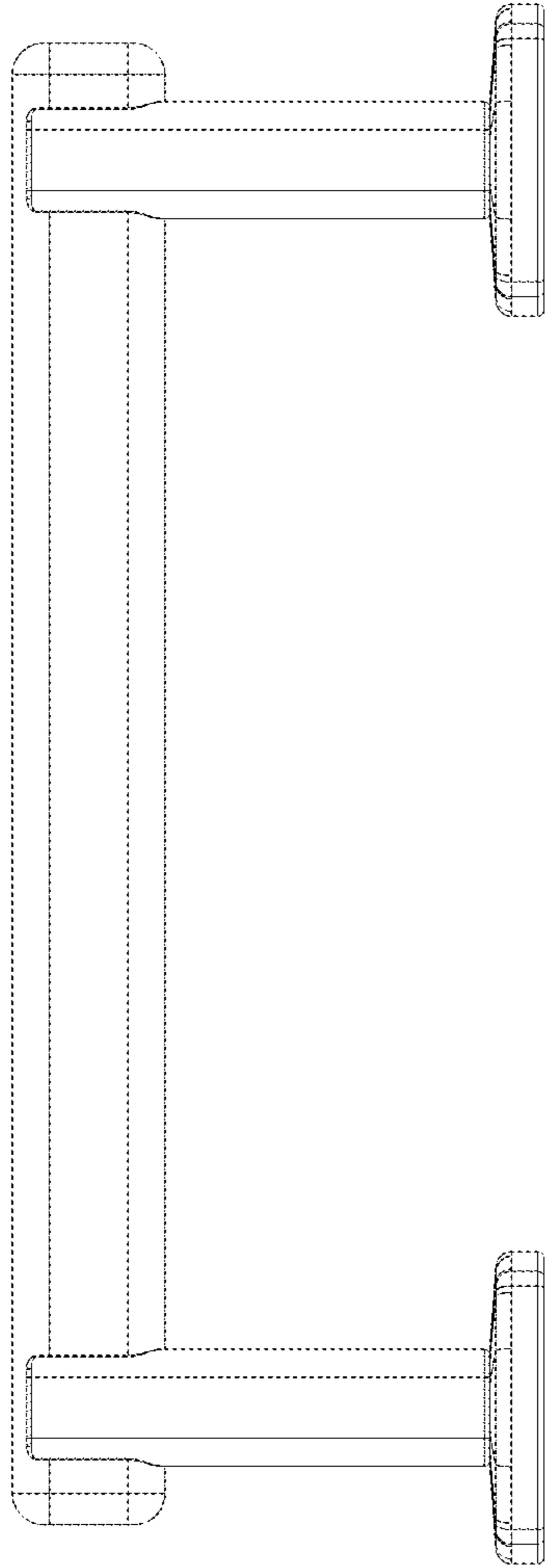


FIG-6

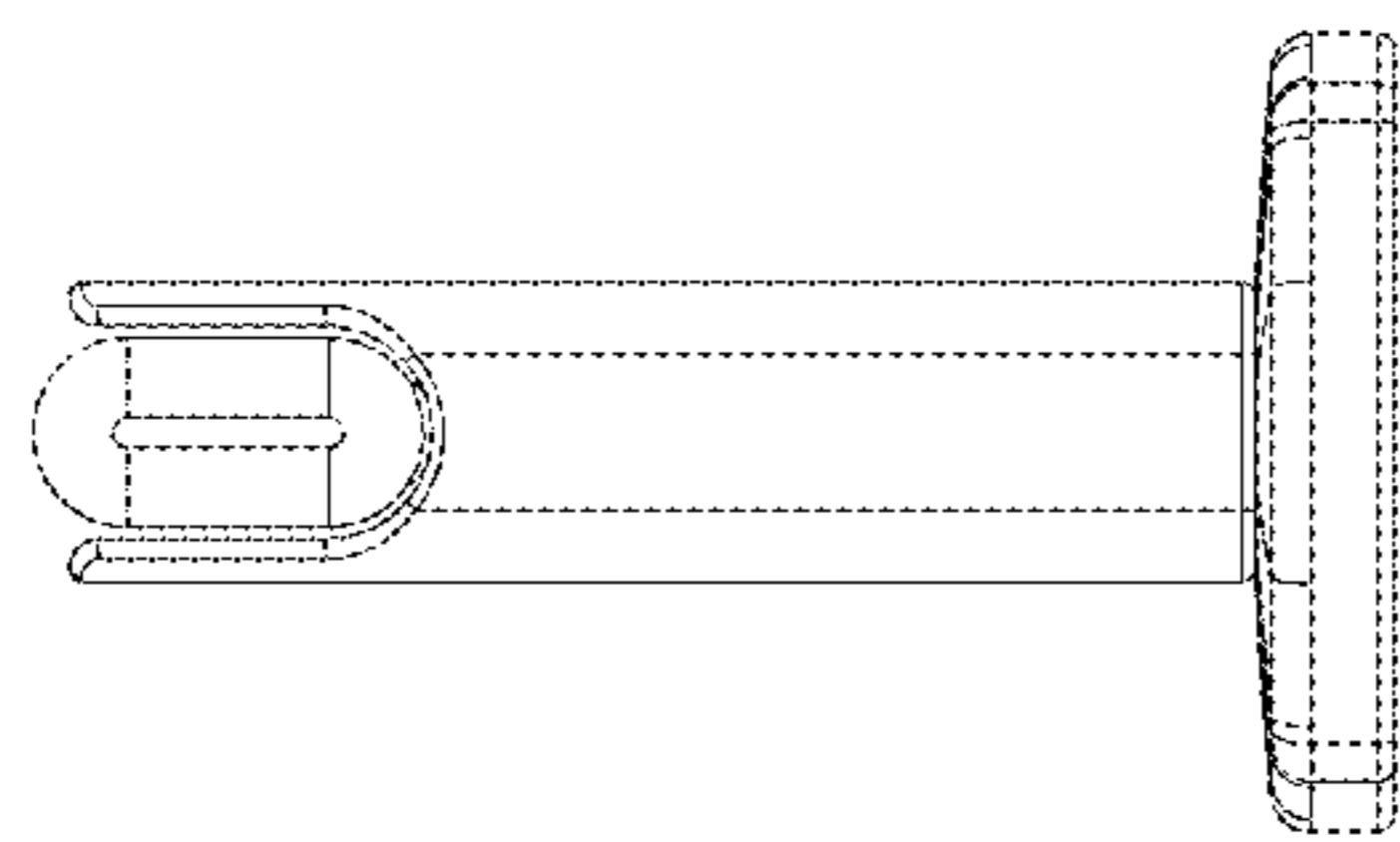


FIG-5

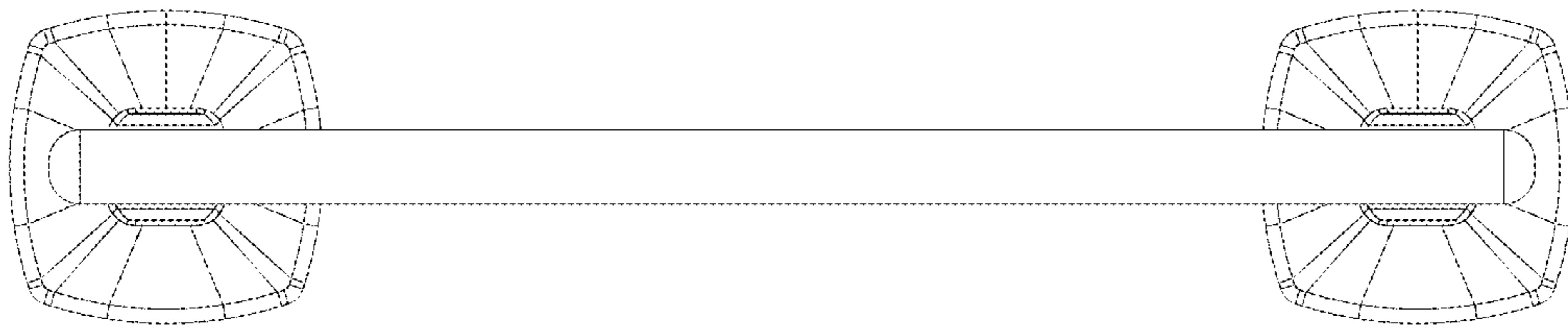


FIG-8

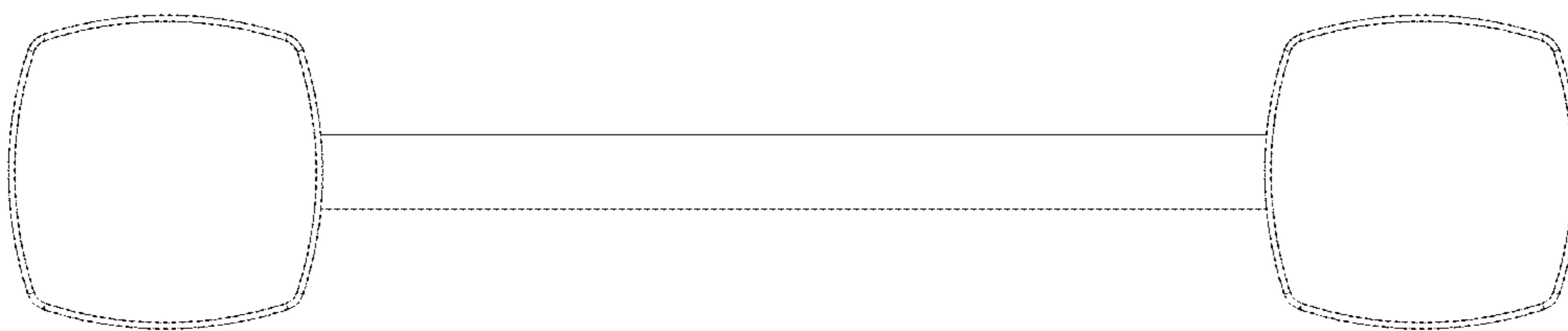


FIG-7