



US00D981749S

(12) **United States Design Patent**  
**Zeng**

(10) **Patent No.:** **US D981,749 S**  
(45) **Date of Patent:** **\*\* Mar. 28, 2023**

(54) **TISSUE HOLDER**

(71) Applicant: **Shubo Zeng**, Chaozhou (CN)

(72) Inventor: **Shubo Zeng**, Chaozhou (CN)

(\*\*) Term: **15 Years**

(21) Appl. No.: **29/829,941**

(22) Filed: **Mar. 9, 2022**

(51) **LOC (14) Cl.** ..... **23-08**

(52) **U.S. Cl.**  
USPC ..... **D6/523**

(58) **Field of Classification Search**  
USPC ..... D6/521, 522, 523, 524, 518, 520, 546,  
D6/549, 553, 567, 681-681.2, 519, 566,  
D6/574; D7/393; D8/315; D99/33  
CPC .... A47K 10/3836; A47K 10/38; A47K 10/42;  
A47K 2010/3233; A47K 10/32  
See application file for complete search history.

(56) **References Cited**

**U.S. PATENT DOCUMENTS**

- 1,205,472 A \* 11/1916 Moore ..... B65H 75/10  
242/613.5
- 3,346,208 A \* 10/1967 Hoffman ..... B65H 75/08  
242/597.5
- D218,331 S \* 8/1970 Uitz ..... D6/523
- 3,672,591 A \* 6/1972 Davis ..... A47K 10/3836  
242/597.5
- D277,622 S \* 2/1985 Servadio ..... D6/521  
(Continued)

**OTHER PUBLICATIONS**

Deymogs Paper Towel Holder, available in Amazon.com, date first available Nov. 13, 2021 [online], Retrieved on Aug. 9, 2022 from

URL: <https://www.amazon.com/Adhesive-Mounting-Deymogs-Cabinet-Bathroom/dp/B09LRV55X6?th=1> (Year: 2021).\*

(Continued)

*Primary Examiner* — Vy N Koenig

*Assistant Examiner* — Michelle M Reeves

(74) *Attorney, Agent, or Firm* — Runit Ranjit Kanakia

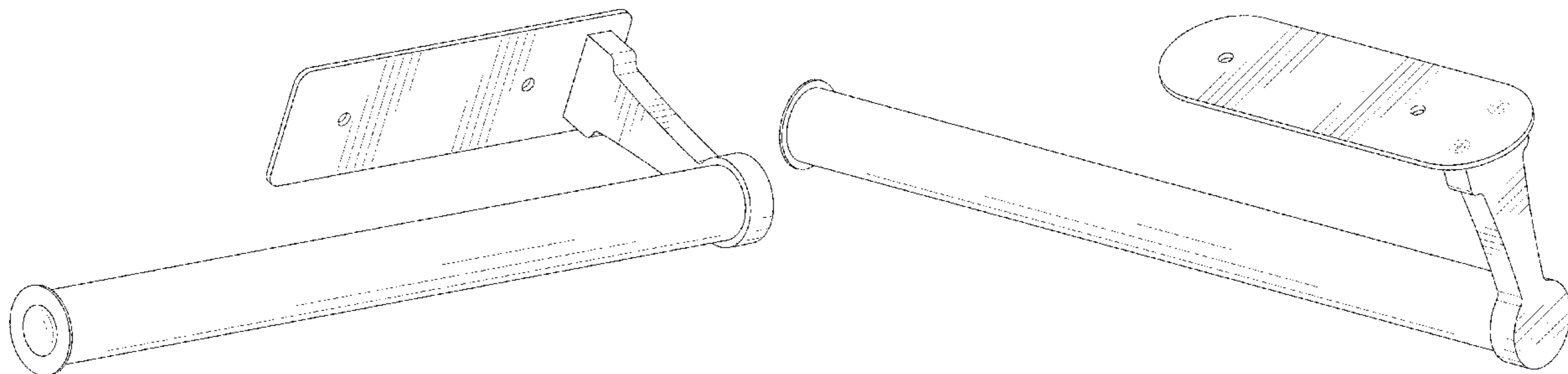
(57) **CLAIM**

The ornamental design for a tissue holder, as shown and described.

**DESCRIPTION**

FIG. 1 is a first perspective view of a first embodiment of a tissue holder showing my new design;  
 FIG. 2 is a second perspective view of the first embodiment thereof;  
 FIG. 3 is a front view of the first embodiment thereof;  
 FIG. 4 is a back view of the first embodiment thereof;  
 FIG. 5 is a left side view of the first embodiment thereof;  
 FIG. 6 is a right side view of the first embodiment thereof;  
 FIG. 7 is a top view of the first embodiment thereof;  
 FIG. 8 is a bottom view of the first embodiment thereof;  
 FIG. 9 is a first perspective view of a second embodiment of a tissue holder showing my new design;  
 FIG. 10 is a second perspective view of the second embodiment thereof;  
 FIG. 11 is a front view of the second embodiment thereof;  
 FIG. 12 is a back view of the second embodiment thereof;  
 FIG. 13 is a left side view of the second embodiment thereof;  
 FIG. 14 is a right side view of the second embodiment thereof;  
 FIG. 15 is a top view of the second embodiment thereof;  
 and,  
 FIG. 16 is a bottom view of the second embodiment thereof.  
 The broken lines shown in the drawings depict portions of the tissue holder that form no part of the claimed design.

**1 Claim, 16 Drawing Sheets**



(56)

**References Cited**

U.S. PATENT DOCUMENTS

4,836,462 A \* 6/1989 Bruss ..... A47K 10/3836  
242/598.5  
D486,333 S \* 2/2004 Hoernig ..... D6/521  
D486,681 S \* 2/2004 Hoernig ..... D6/523  
D521,294 S \* 5/2006 Ferrer Beltran ..... D6/546  
D811,118 S 2/2018 Garland  
D853,747 S 7/2019 Bahler  
D859,029 S \* 9/2019 Mariano ..... D6/522  
D904,790 S \* 12/2020 Zhong ..... D6/549  
D911,735 S 3/2021 Spangler  
D916,491 S \* 4/2021 Chen ..... D6/522  
D930,387 S \* 9/2021 Liang ..... D6/522

OTHER PUBLICATIONS

Mczent Kitchen Roll Holder, available in Amazon.co.uk, date first available Jul. 20, 2020 [online], Retrieved on Aug. 8, 2022 from URL: <https://www.amazon.co.uk/Mczcent-Adhesive-Dispenser-Installation-Bathroom/dp/B08D9N8JW7/> (Year: 2020).\*

\* cited by examiner

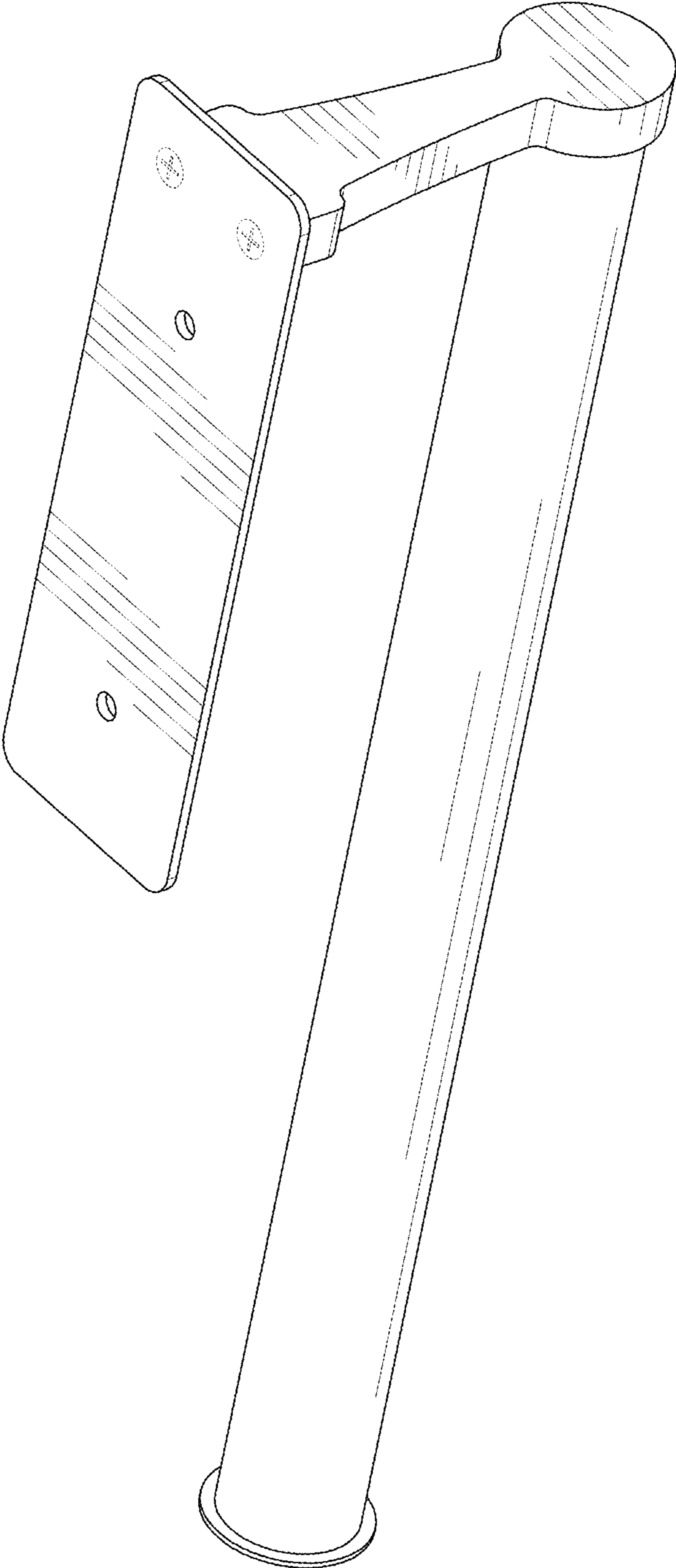


FIG. 1

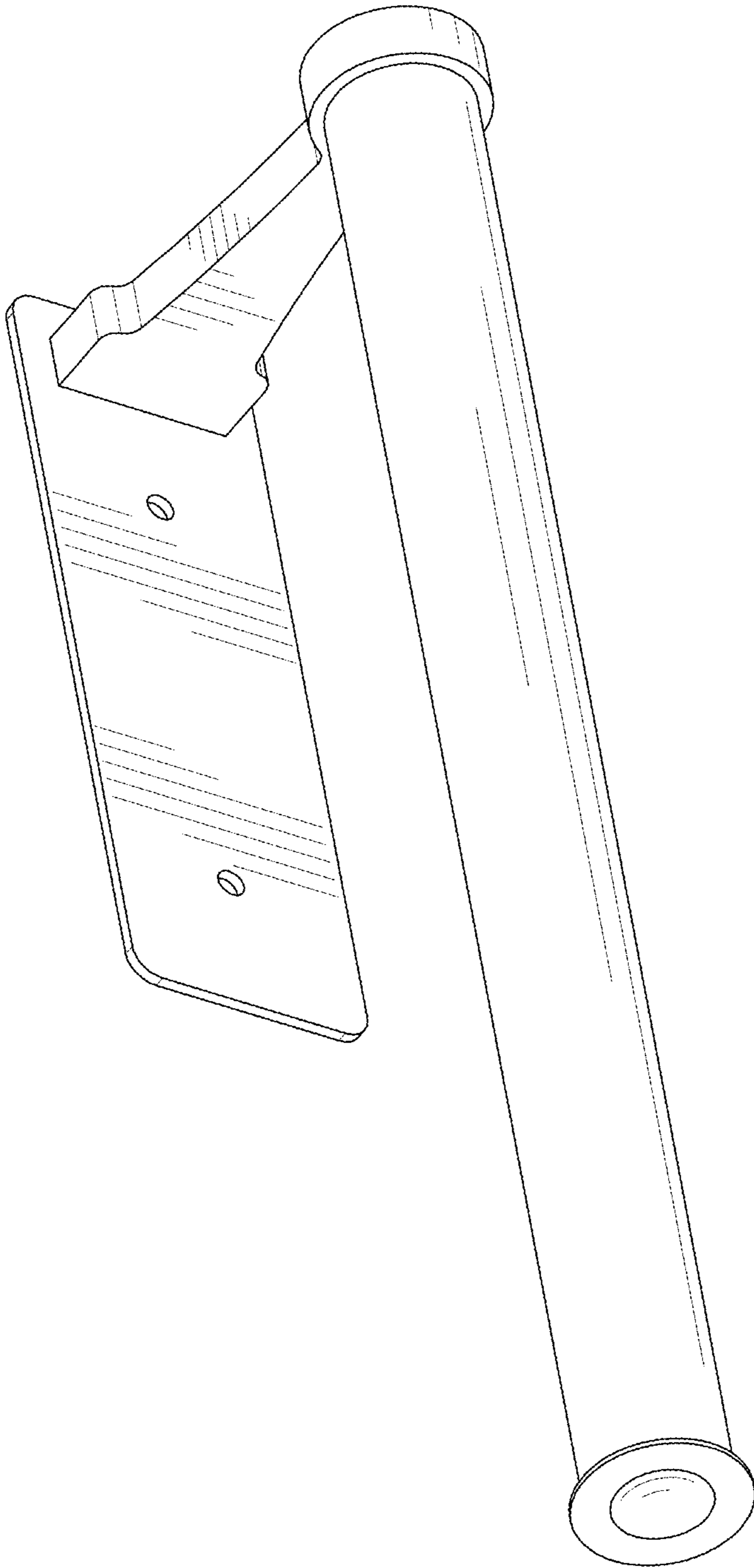


FIG. 2

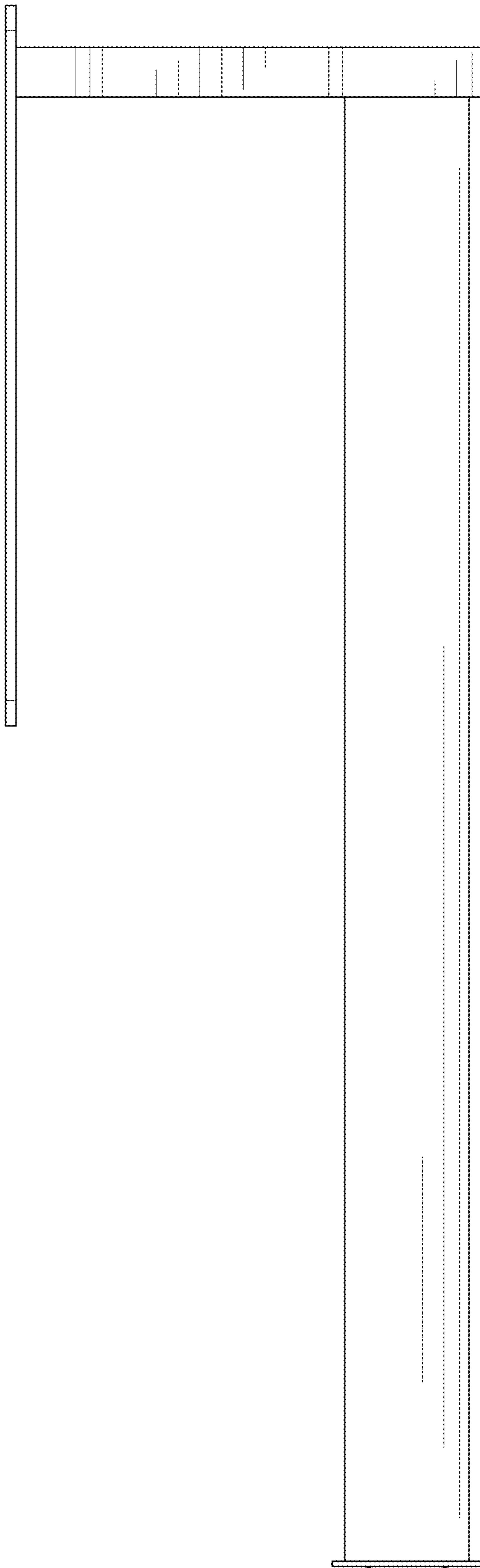


FIG. 3

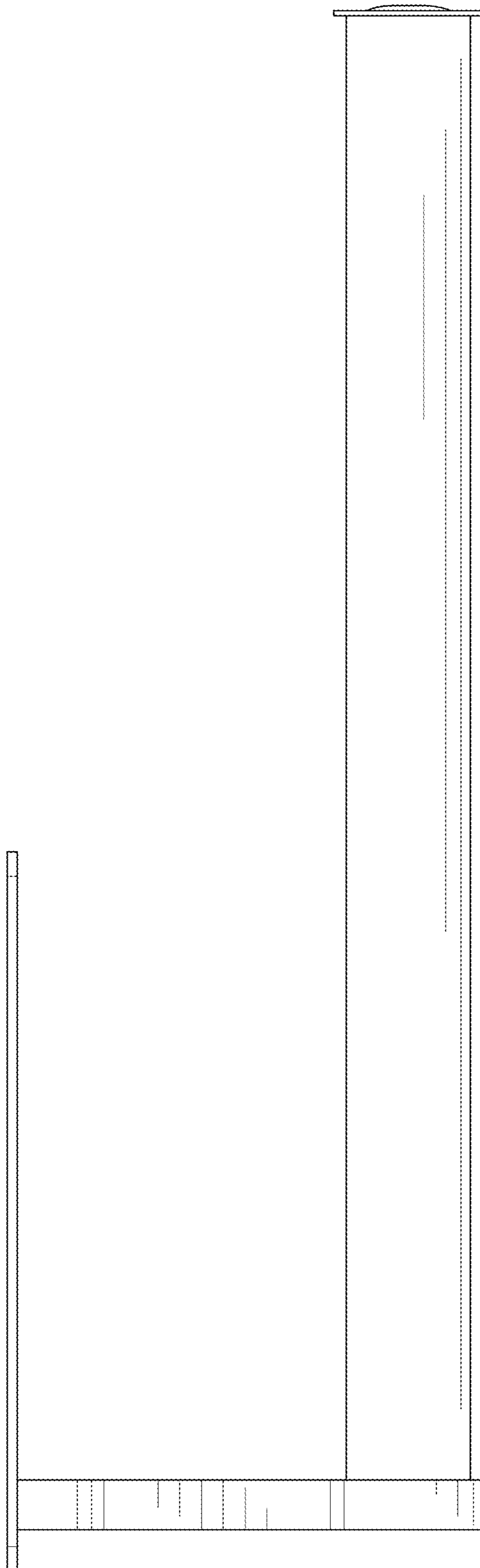


FIG. 4

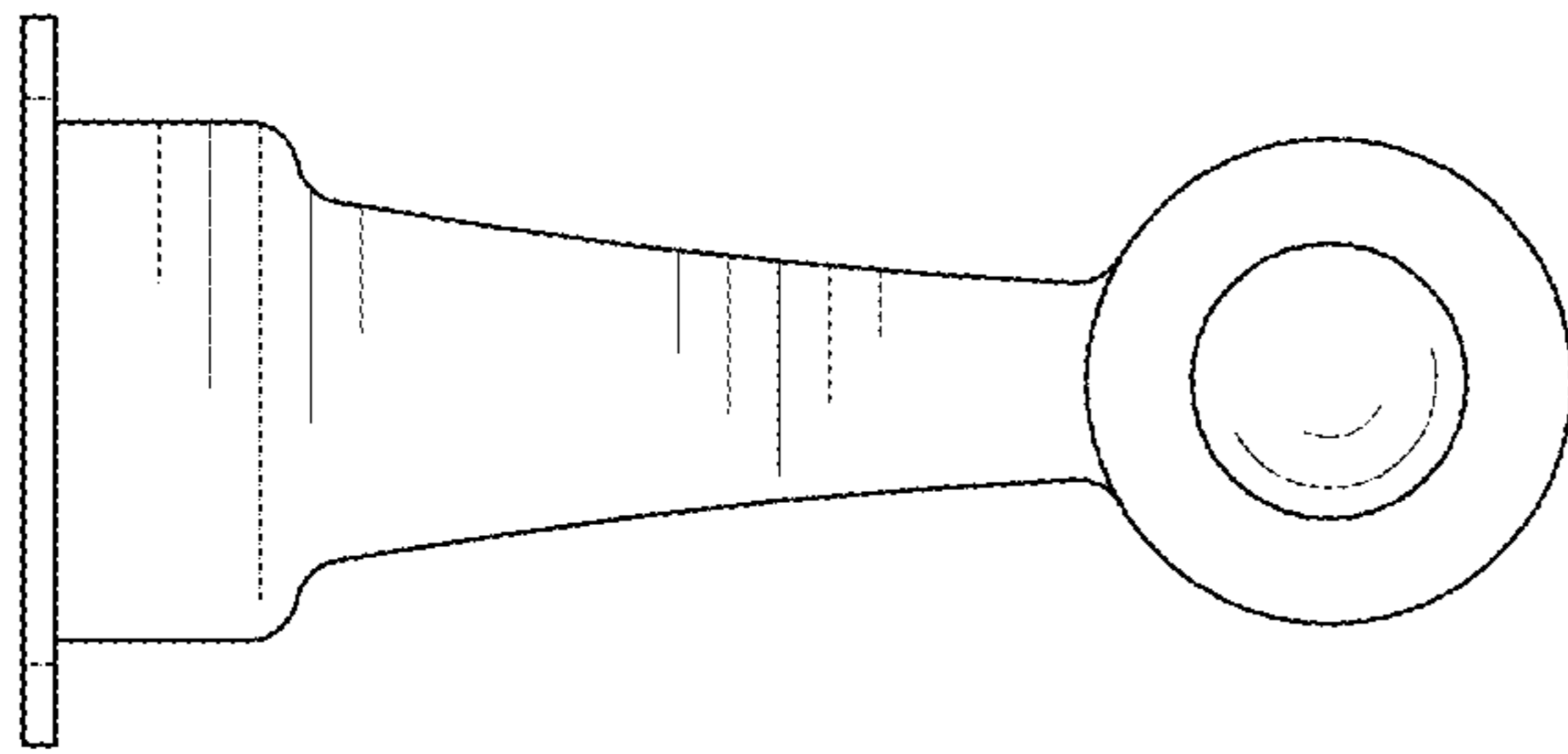


FIG. 5

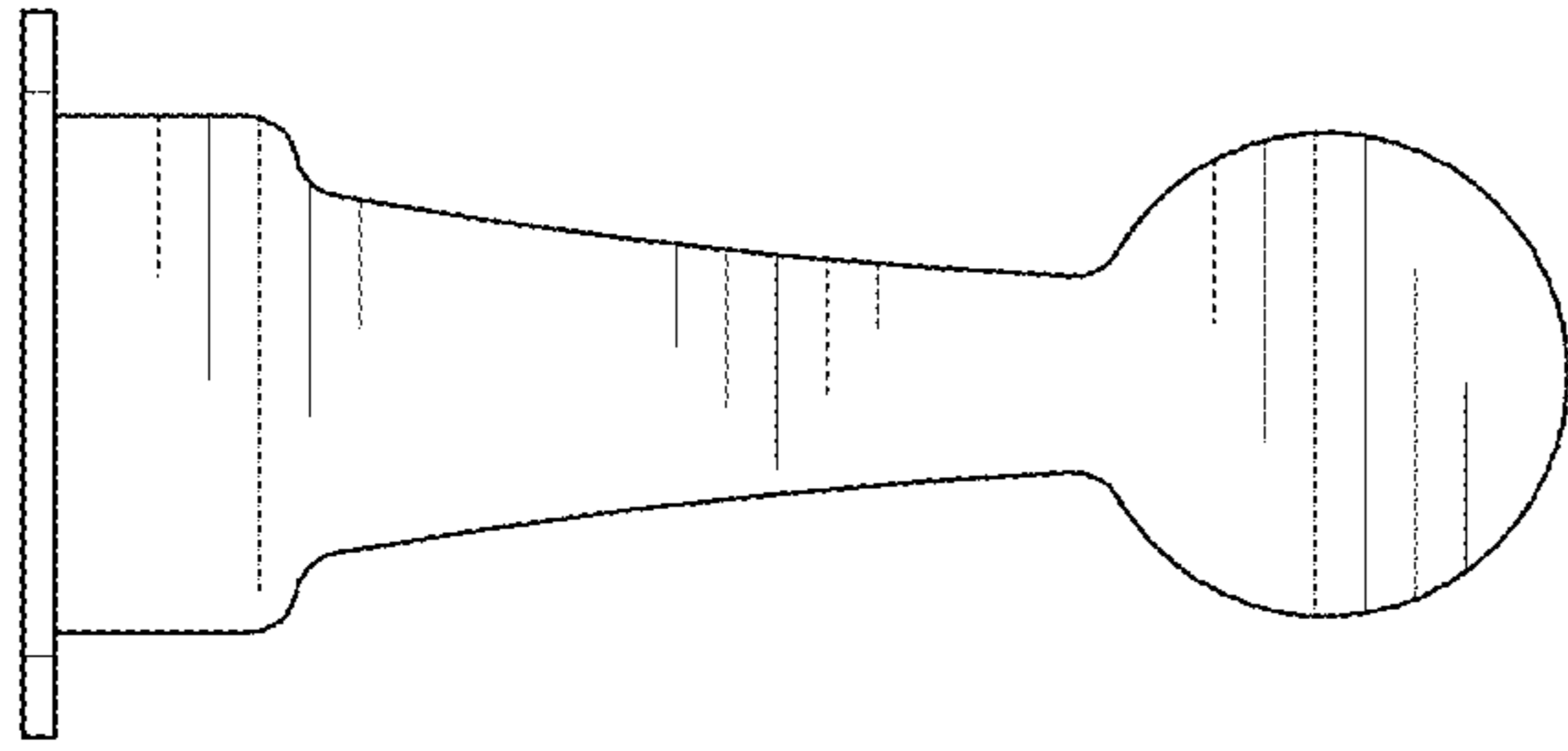


FIG. 6



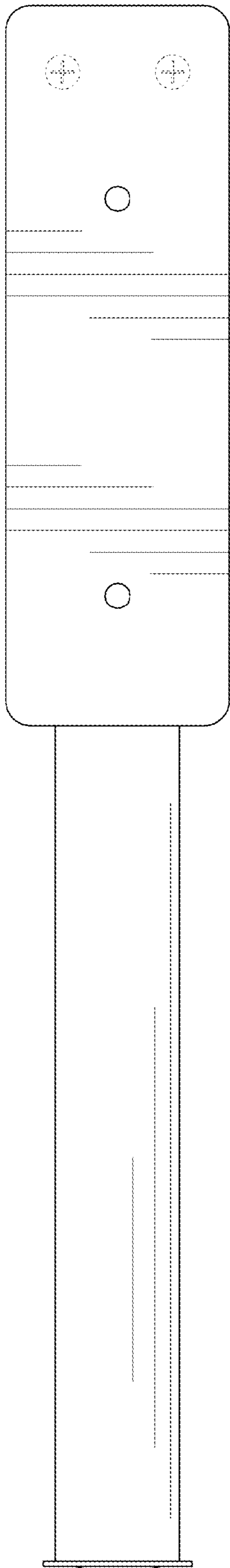


FIG. 7

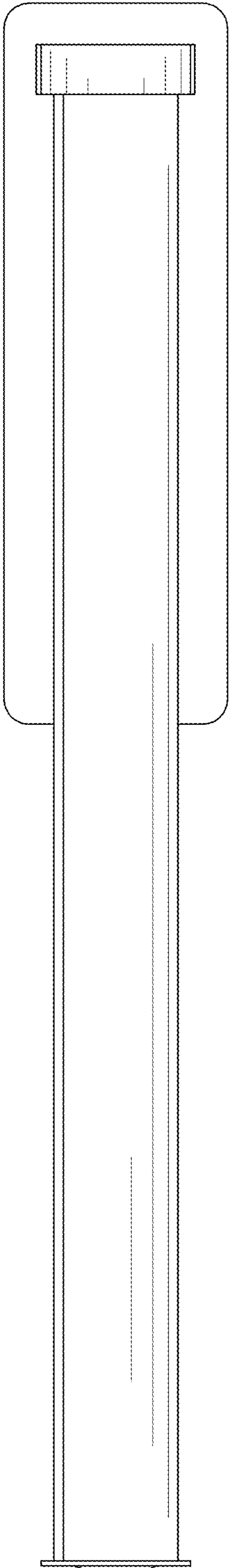


FIG. 8

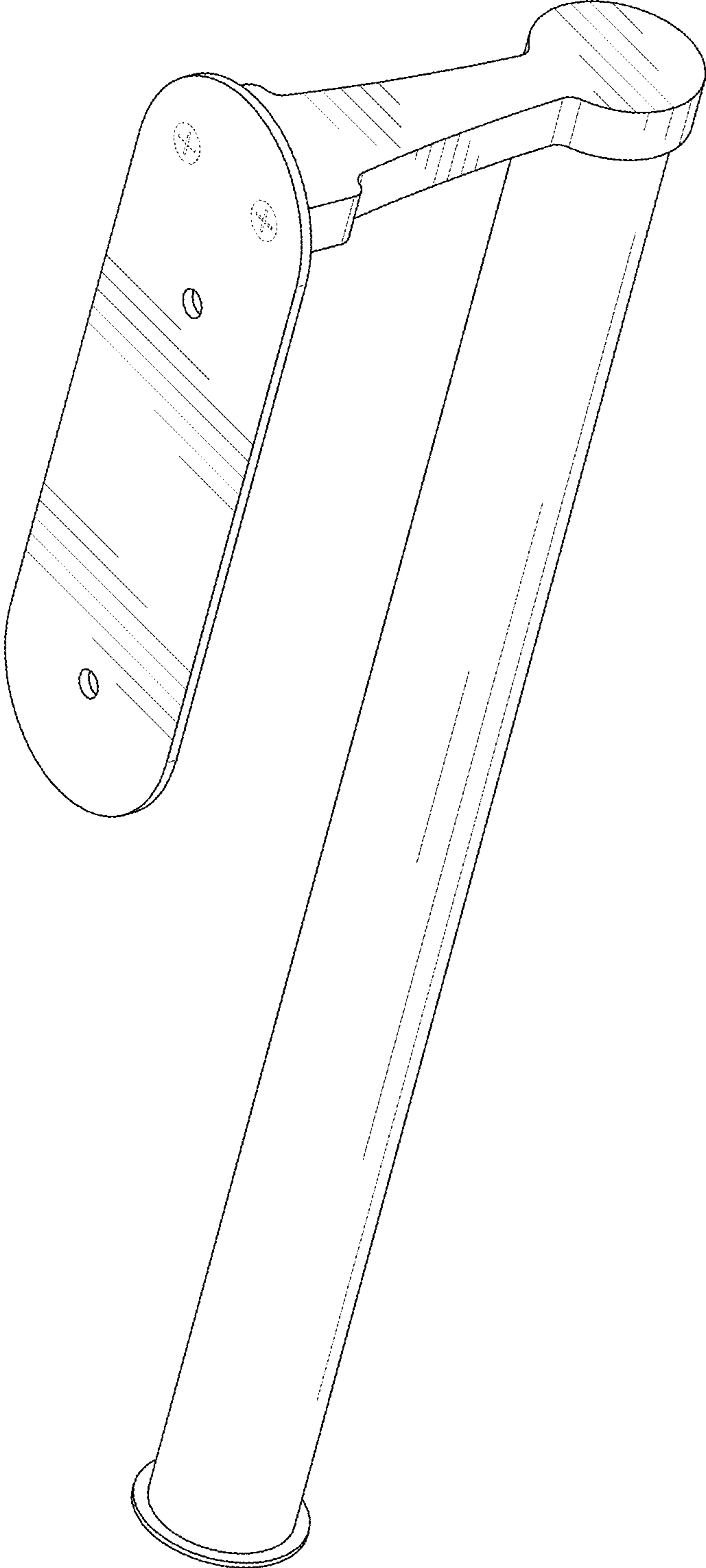


FIG. 9

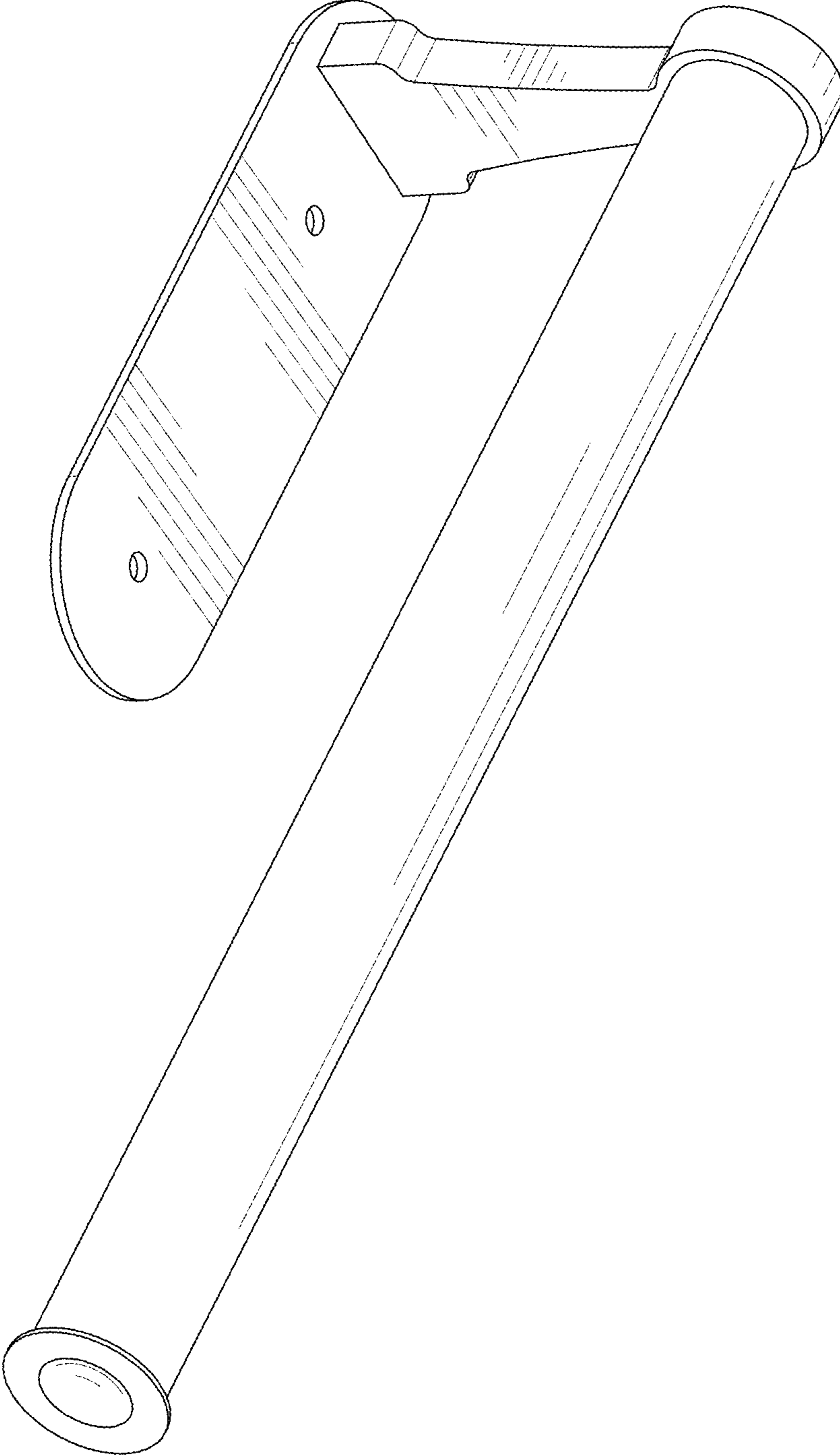


FIG. 10

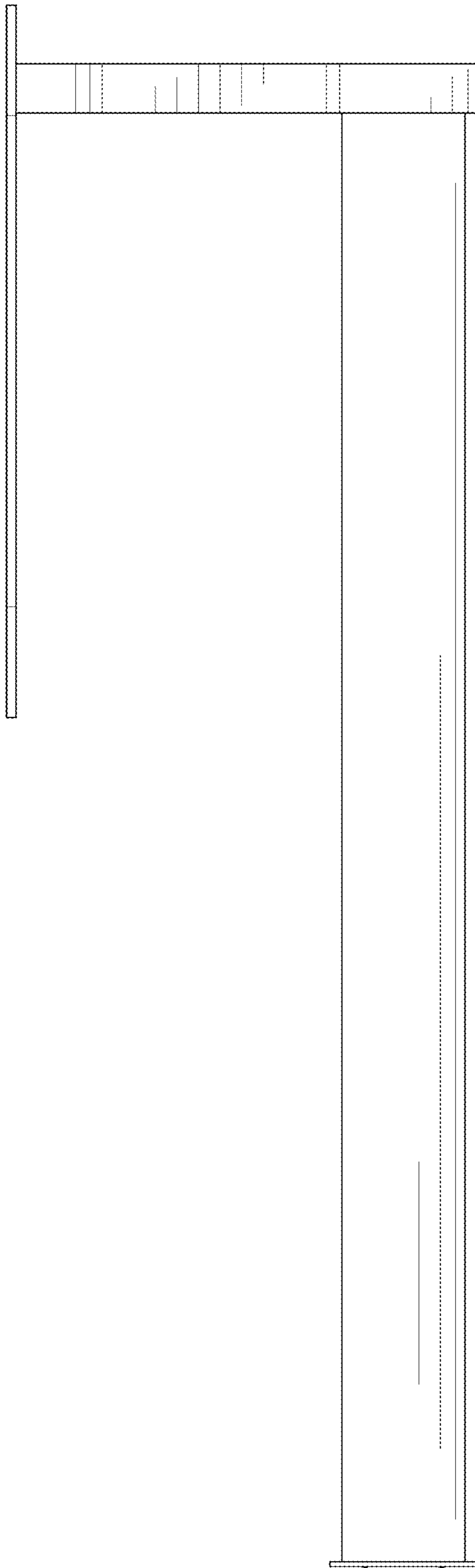


FIG. 11

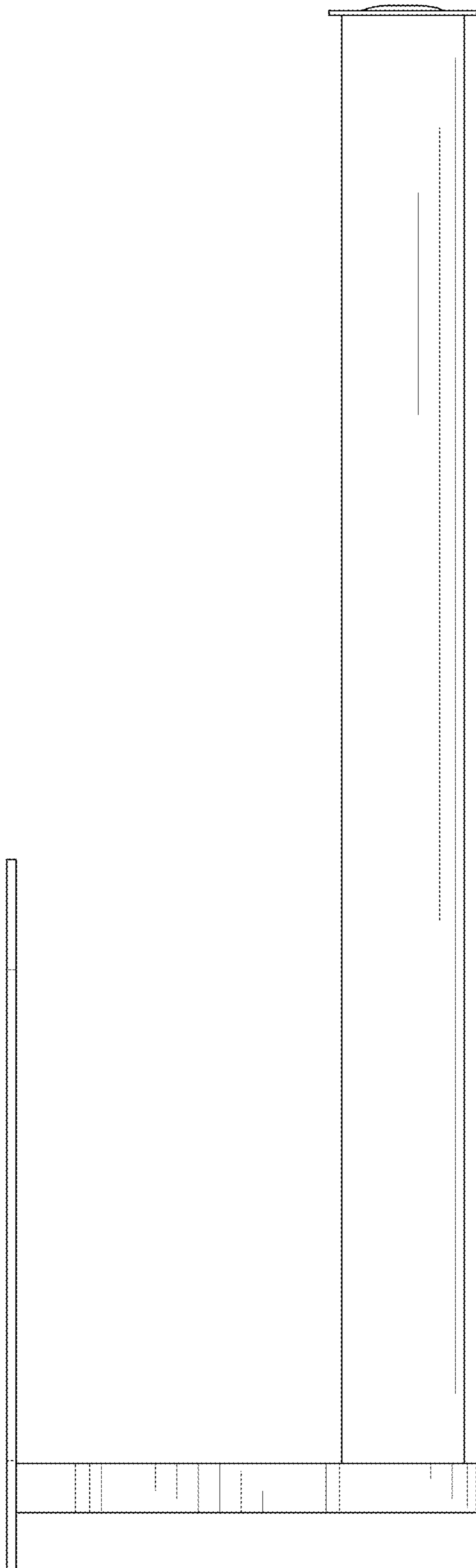


FIG. 12

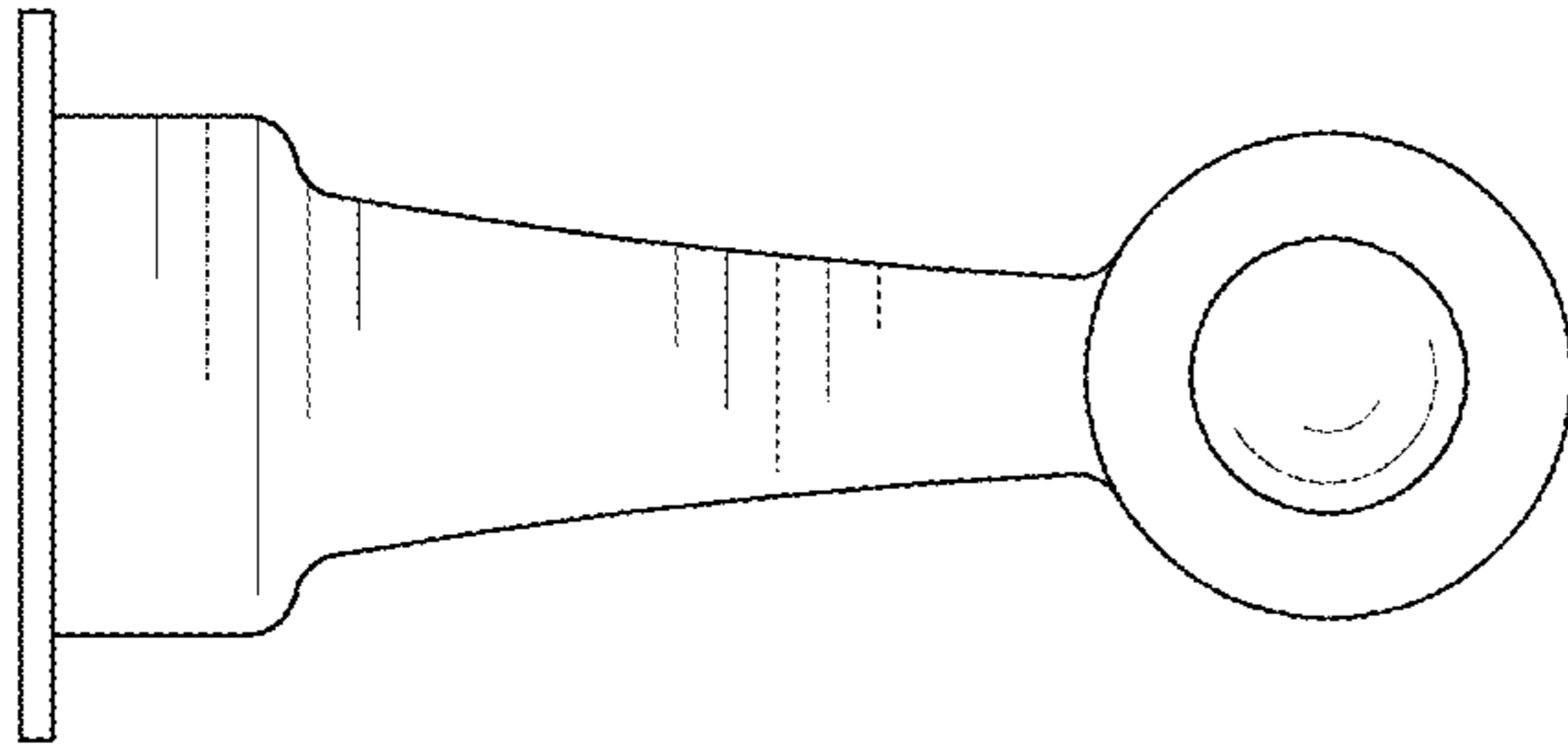


FIG. 13

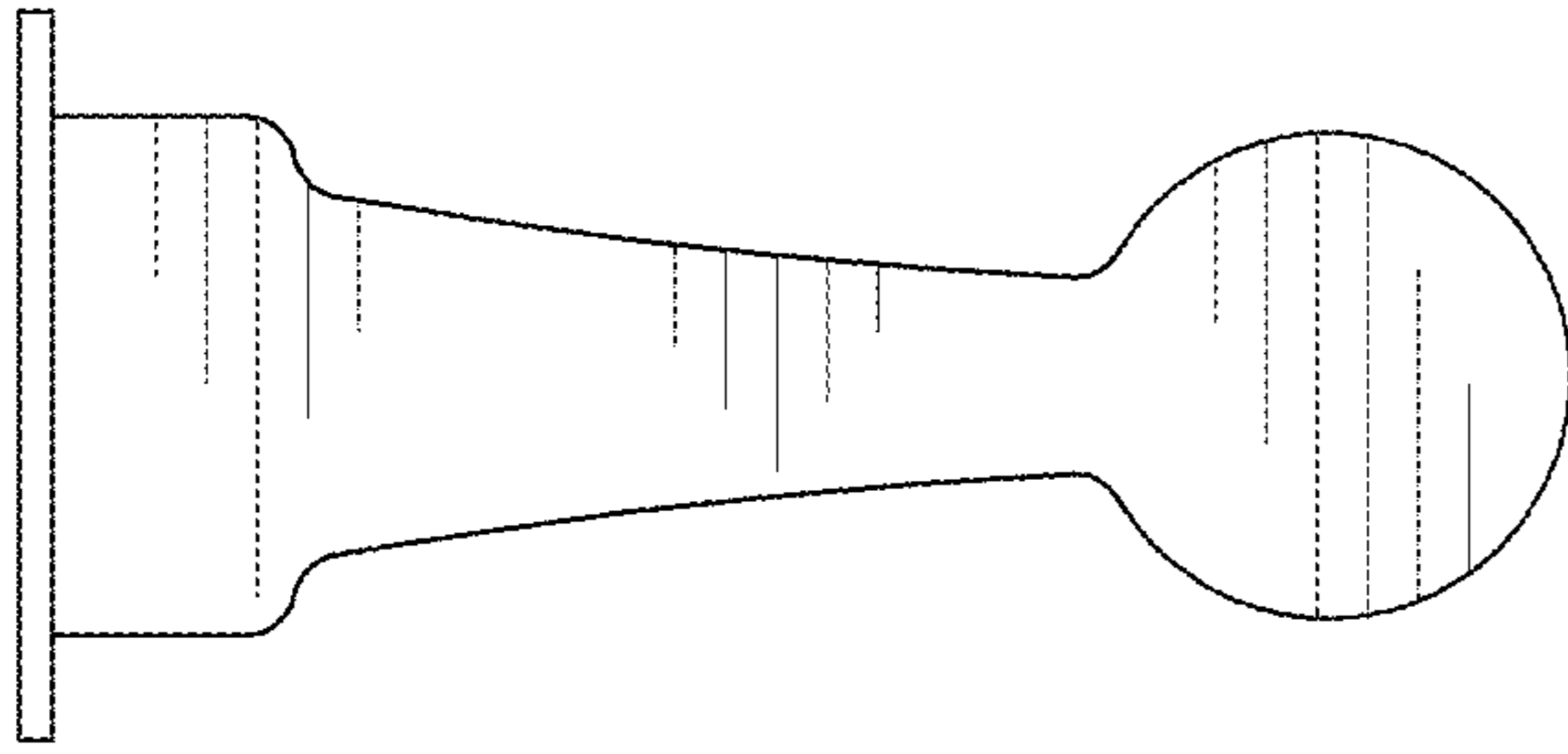


FIG. 14



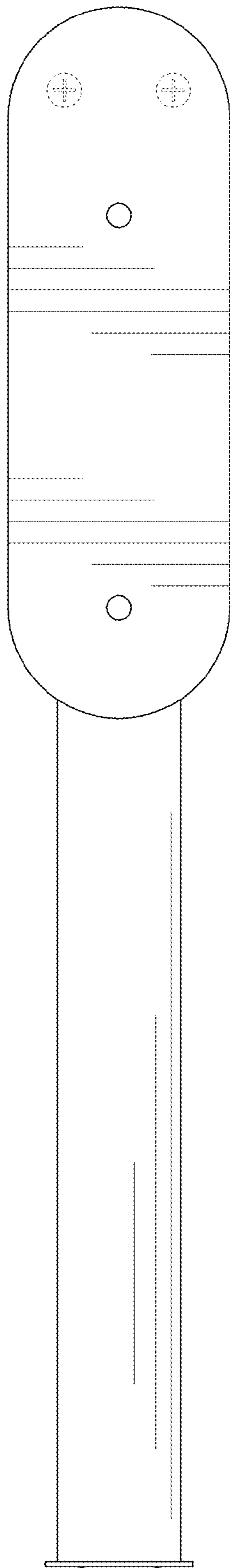


FIG. 15

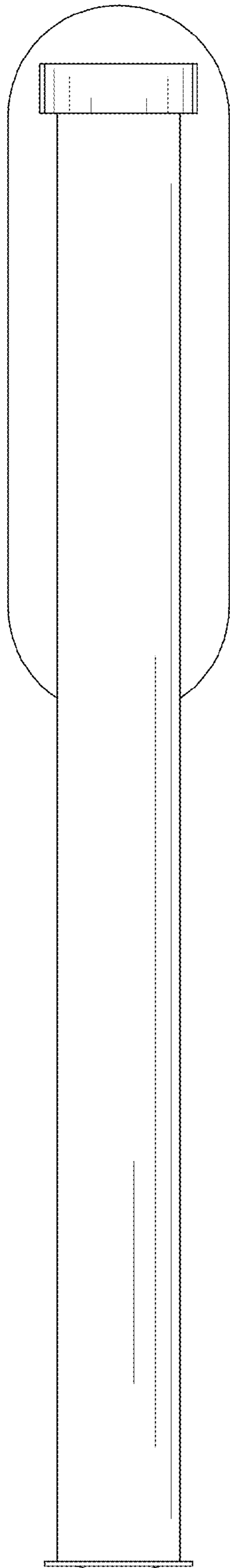


FIG. 16