



US00D981748S

(12) **United States Design Patent**
Li

(10) **Patent No.:** **US D981,748 S**
(45) **Date of Patent:** **** Mar. 28, 2023**

- (54) **TOILET PAPER HOLDER**
- (71) Applicant: **Zhixian Li**, Liaoning (CN)
- (72) Inventor: **Zhixian Li**, Liaoning (CN)
- (73) Assignee: **Yiwu Chengshen Technology Co., Ltd.**, Yiwu (CN)
- (**) Term: **15 Years**
- (21) Appl. No.: **29/778,091**
- (22) Filed: **Apr. 10, 2021**
- (51) **LOC (14) Cl.** **23-08**
- (52) **U.S. Cl.**
USPC **D6/523; D6/519**
- (58) **Field of Classification Search**
USPC D6/523, 515, 518-522; D3/201, 215,
D3/217, 269, 901
CPC A47K 10/22; A47K 10/3836; A47K 10/40;
A47K 2010/3253; A47K 10/32; A47K
10/3827
See application file for complete search history.

D627,999 S	11/2010	Bostle	
D781,066 S *	3/2017	Janetski D6/518
D808,296 S	1/2018	Hendifar	
D825,961 S *	8/2018	Vaults D6/677.1
D864,607 S	10/2019	Chen	
D883,707 S	5/2020	Klowan et al.	
D965,338 S *	10/2022	Holzmann D6/523
2022/0354317 A1 *	11/2022	Yates A47K 10/426
2022/0361721 A1 *	11/2022	Swanson A47K 10/3827

* cited by examiner

Primary Examiner — Marie D. Fast Horse
Assistant Examiner — Jennifer Sierra Yosinski

(57) **CLAIM**

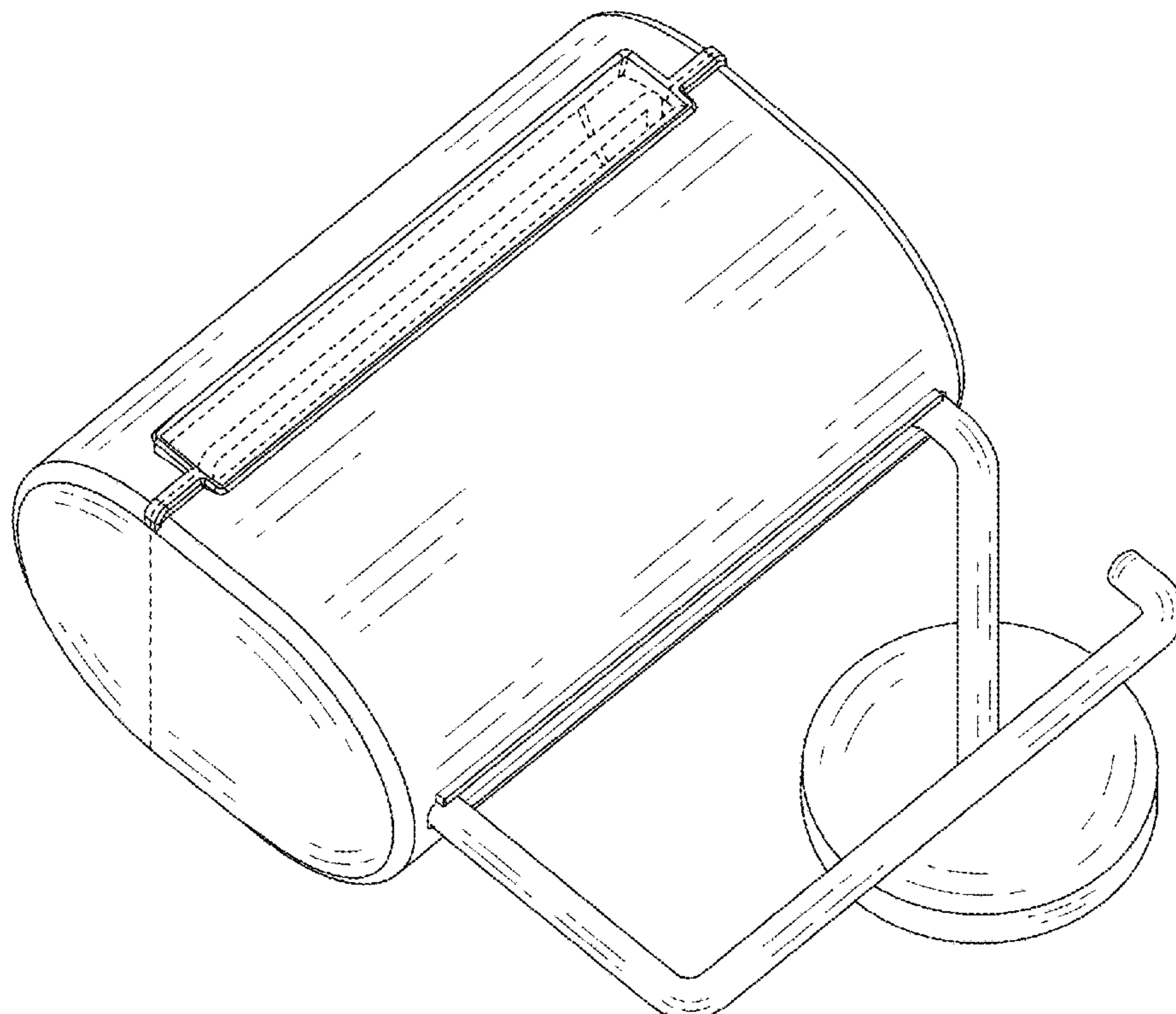
The ornamental design for a toilet paper holder, as shown and described.

DESCRIPTION

FIG. 1 is a perspective view of a toilet paper holder showing my new design;
 FIG. 2 is a front elevational view thereof;
 FIG. 3 is a rear elevational view thereof;
 FIG. 4 is a left side elevational view thereof;
 FIG. 5 is a right side elevational view thereof;
 FIG. 6 is a top plan view thereof; and,
 FIG. 7 is a bottom plan view thereof.
 The broken lines throughout the drawing figures depict portions of the toilet paper holder that form no part of the claimed design.

1 Claim, 7 Drawing Sheets

- (56) **References Cited**
U.S. PATENT DOCUMENTS
D316,789 S * 5/1991 McLaughlin D6/522
D362,145 S * 9/1995 Nolen D6/523
5,680,978 A * 10/1997 Pinion B65D 85/672
242/598.6
6,974,043 B1 * 12/2005 Lai A47K 17/00
211/205



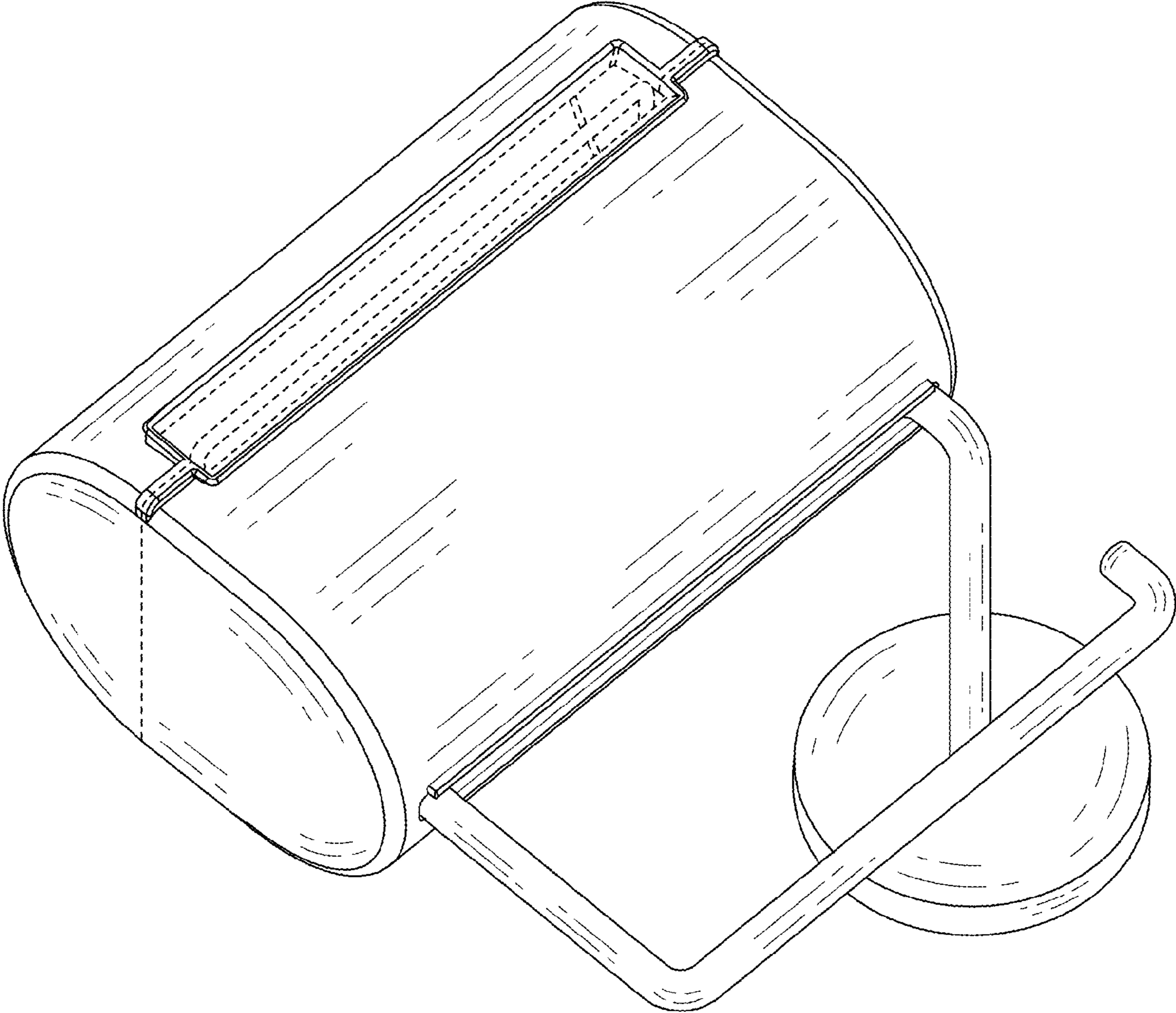


FIG.1

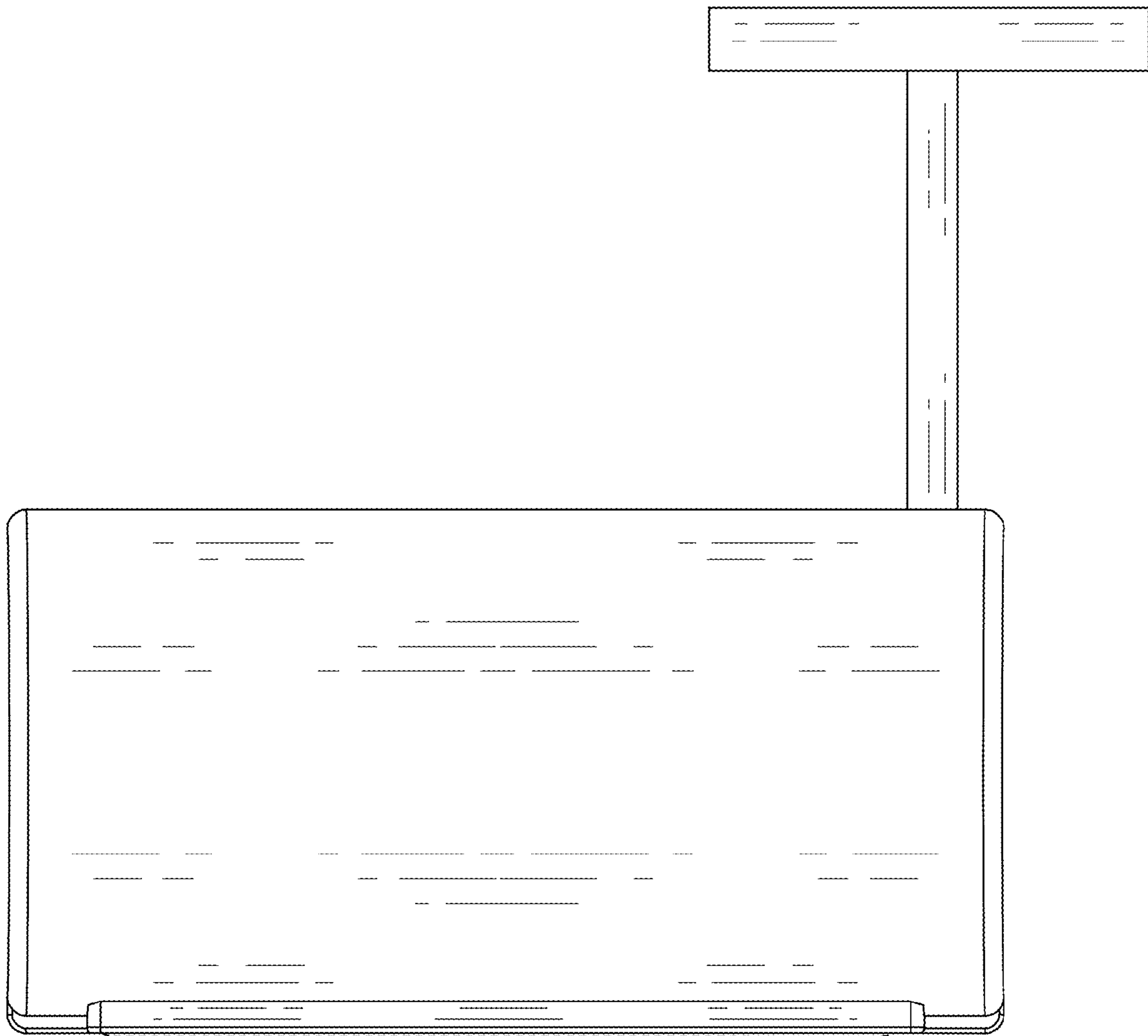


FIG.2

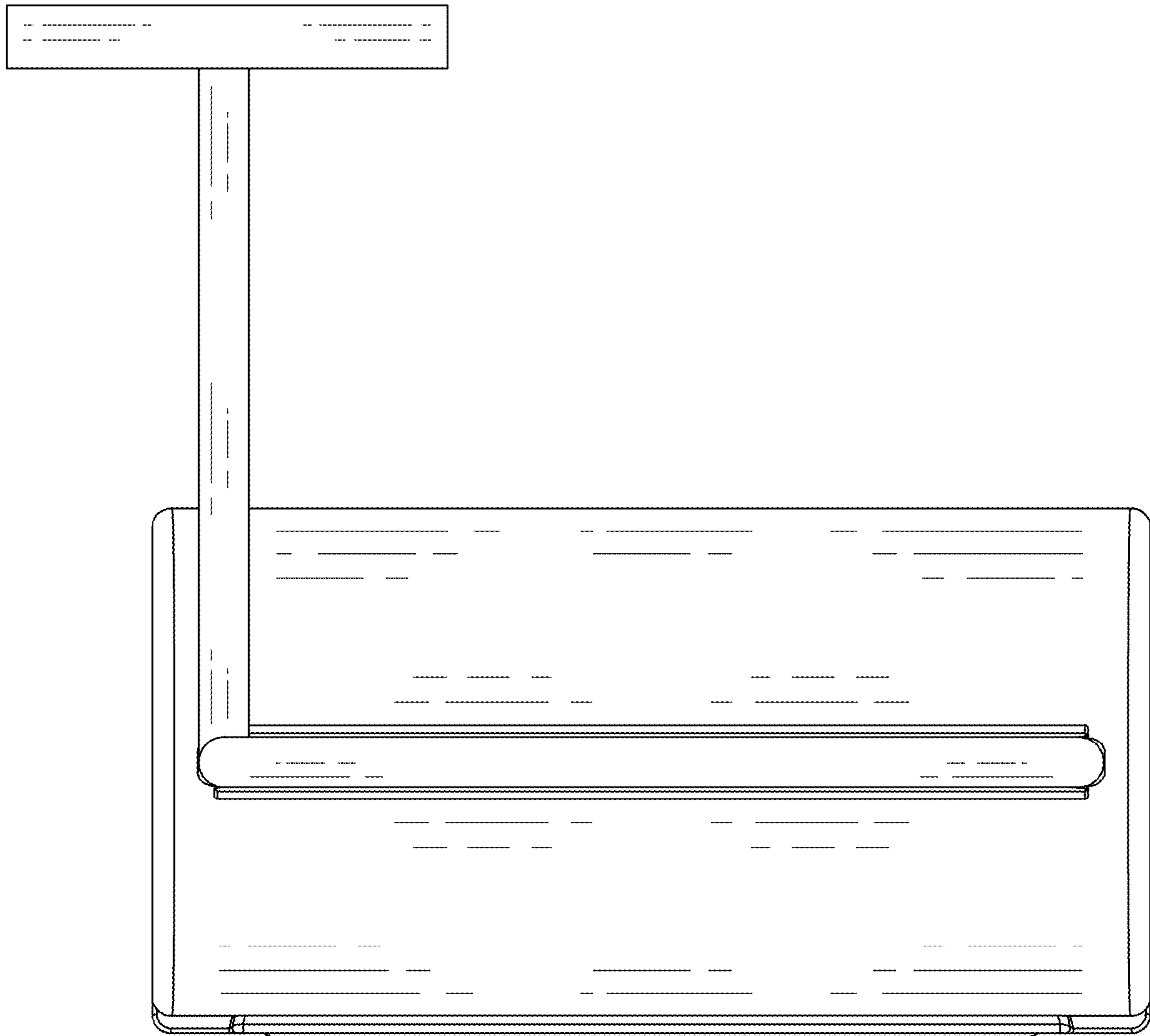


FIG.3

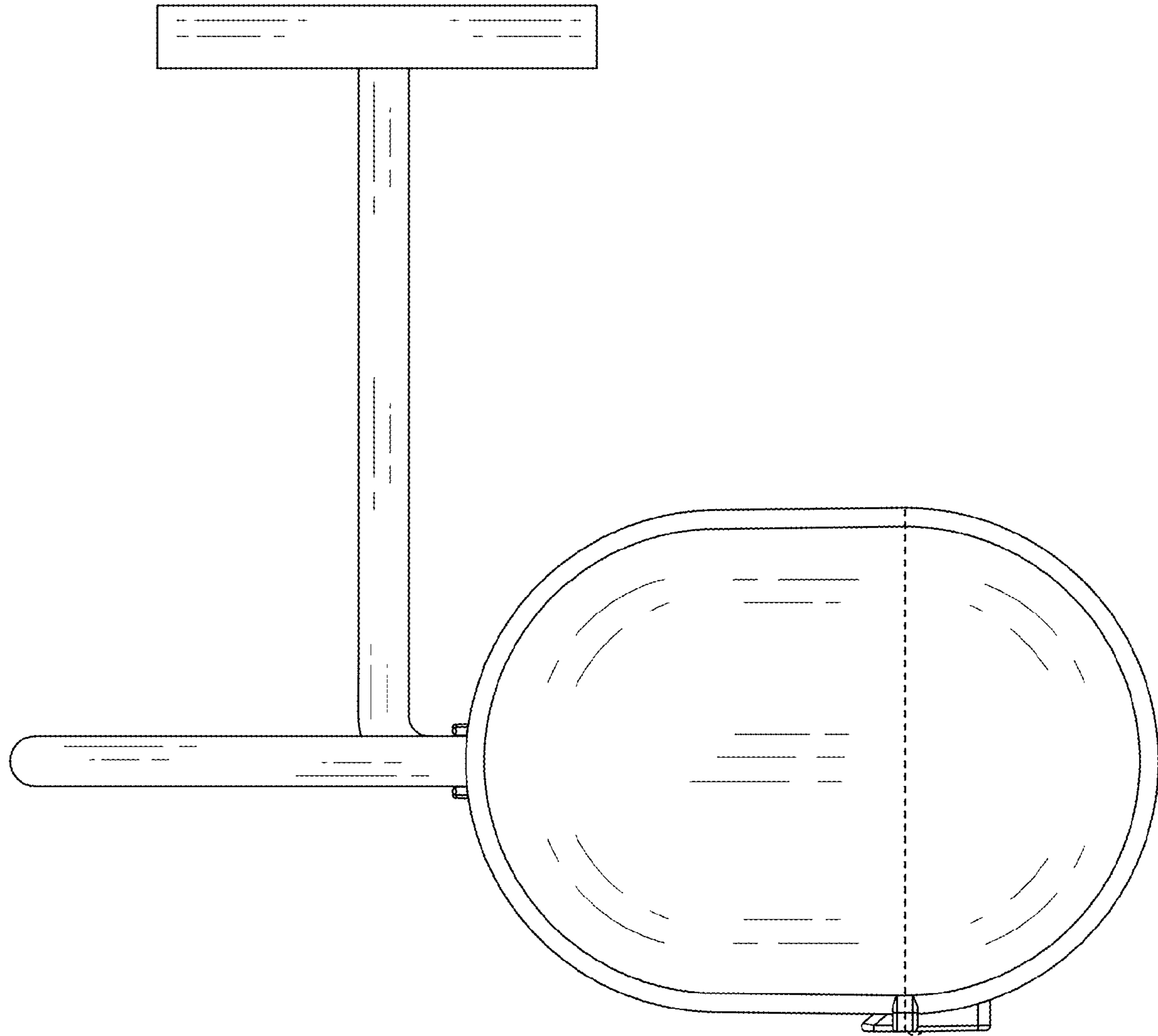


FIG.4

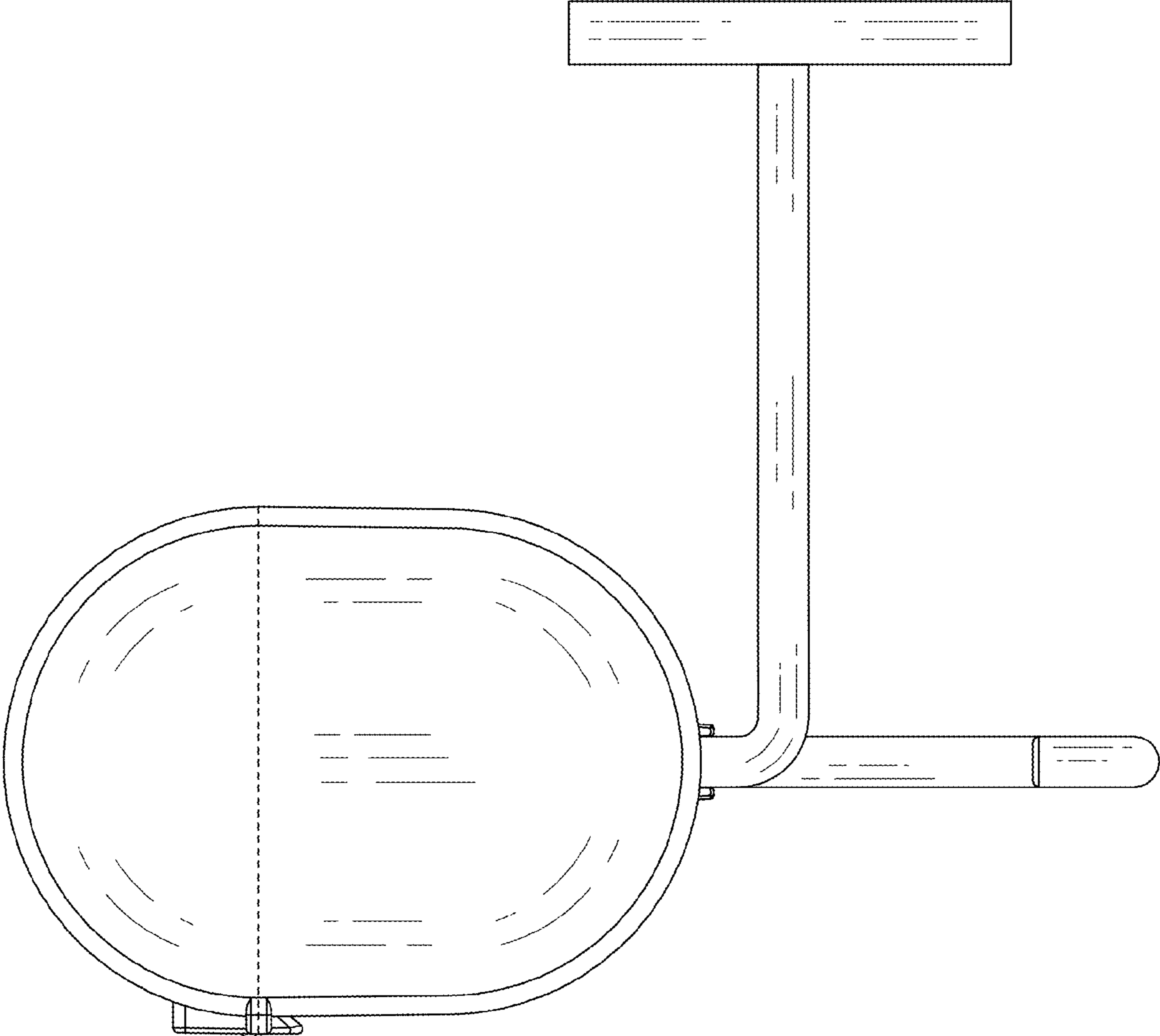


FIG.5

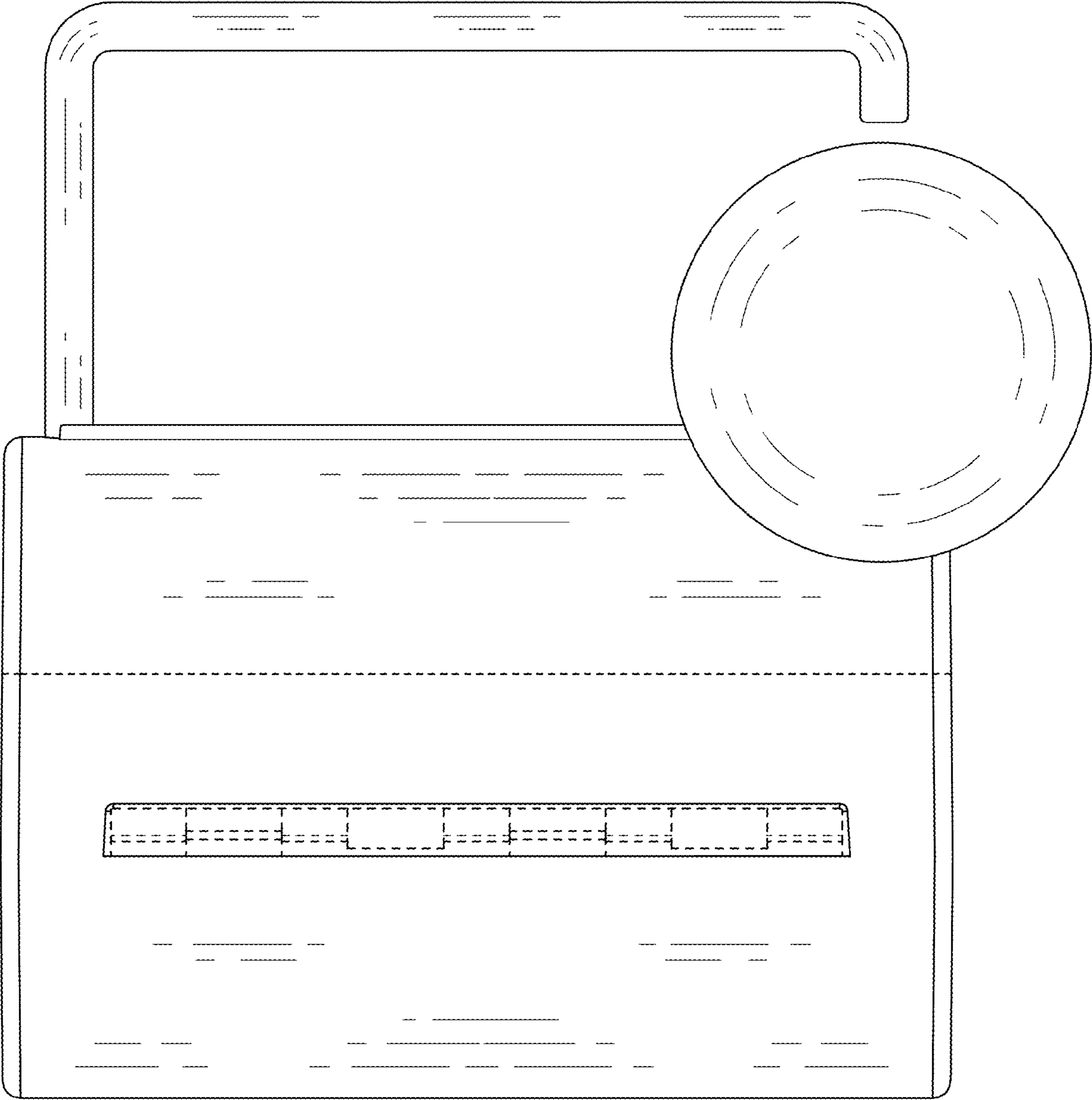


FIG.6

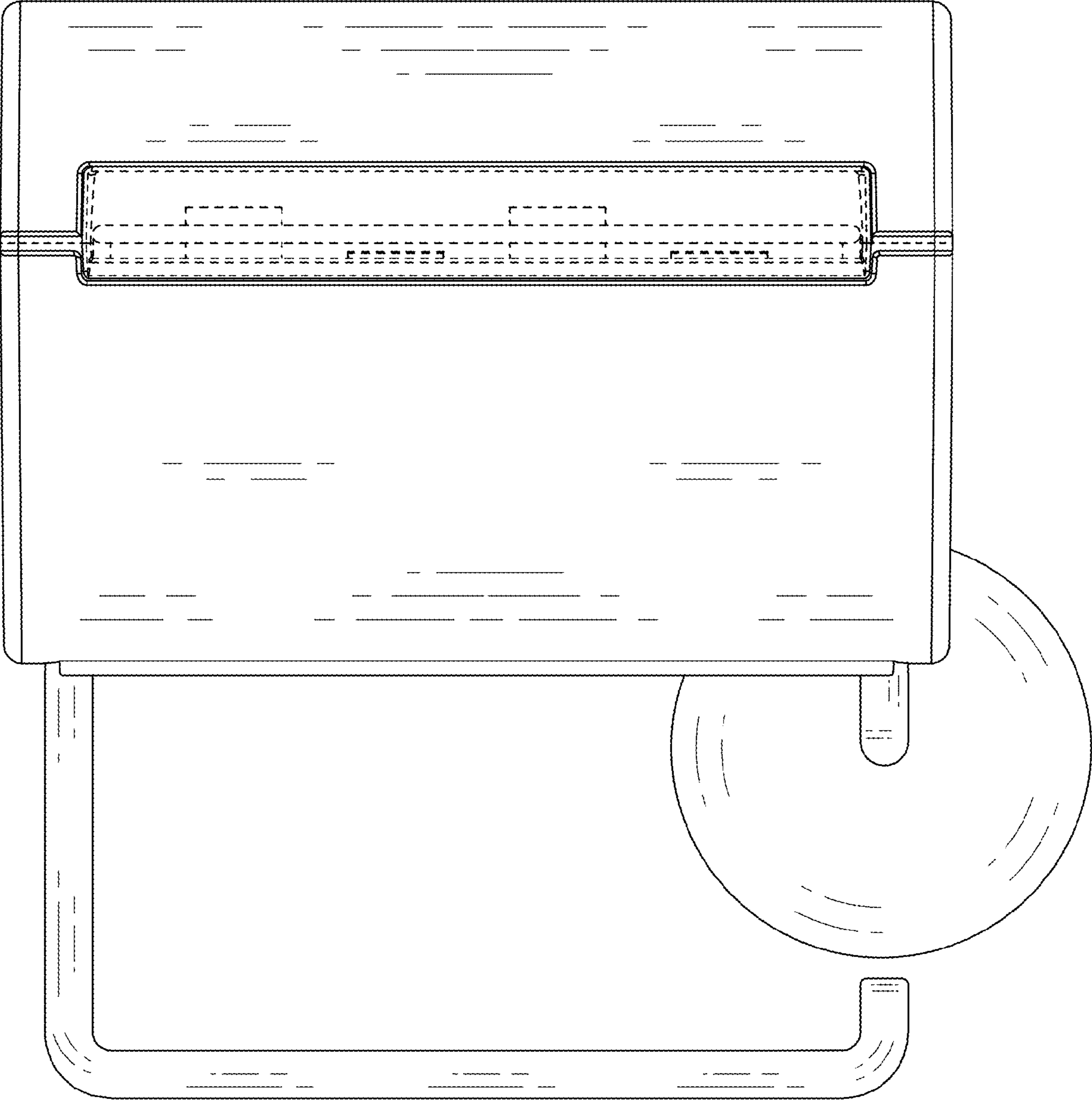


FIG.7