



US00D981747S

(12) **United States Design Patent**  
**Holzmann et al.**

(10) **Patent No.:** **US D981,747 S**  
(45) **Date of Patent:** **\*\* Mar. 28, 2023**

- (54) **TOILET PAPER DISPENSER**
- (71) Applicant: **Bradley Corporation**, Menomonee Falls, WI (US)
- (72) Inventors: **Simon Holzmann**, Zorneding (DE); **Stefan Hillenmayer**, Munich (DE); **Ning Zhou**, Munich (DE); **Laura Beth Stang**, Mukwonago, WI (US)
- (73) Assignee: **Bradley Corporation**, Menomonee Falls, WI (US)
- (\*\*) Term: **15 Years**
- (21) Appl. No.: **29/728,369**
- (22) Filed: **Mar. 18, 2020**
- (51) **LOC (14) Cl.** ..... **23-02**
- (52) **U.S. Cl.**  
USPC ..... **D6/523**
- (58) **Field of Classification Search**  
USPC ..... D6/518-524, 546-550; 16/110.1, 415; 108/28-29; 211/13.1, 16, 60.1, 86.01, 211/87.01, 88.01, 88.04, 100, 105.1, 211/105.2, 123, 181.1, 182; 242/570, 242/590, 595-598, 564.4, 596.3, 599; 248/175, 176.1, 251, 302  
CPC .... A47K 10/40; A47K 10/3836; A47K 10/38; A47K 2010/322; A47K 2010/3233; A47K 2201/02; A47K 10/24; A47K 10/16; A47K 10/32; A47K 10/3809; A47K 2010/3872; B65H 75/08; A47B 81/007  
See application file for complete search history.

- 5,884,805 A \* 3/1999 Tramontina ..... A47K 10/424 221/45
- D408,184 S \* 4/1999 Tramontina ..... D6/518
- D410,357 S \* 6/1999 Tramontina ..... D6/518
- D447,373 S \* 9/2001 Fisscher ..... D6/522
- D447,658 S \* 9/2001 Fisscher ..... D6/522
- D530,555 S 10/2006 Karraker et al.
- 7,147,129 B1 \* 12/2006 Menefield ..... A61F 6/005 206/440
- D564,267 S \* 3/2008 Tomic ..... D6/518
- D615,329 S 5/2010 Meyerhoffer
- D616,683 S 6/2010 Law et al.
- D624,340 S 9/2010 Benedetti
- D634,142 S 3/2011 Meyerhoffer
- D634,953 S 3/2011 Meyerhoffer

(Continued)

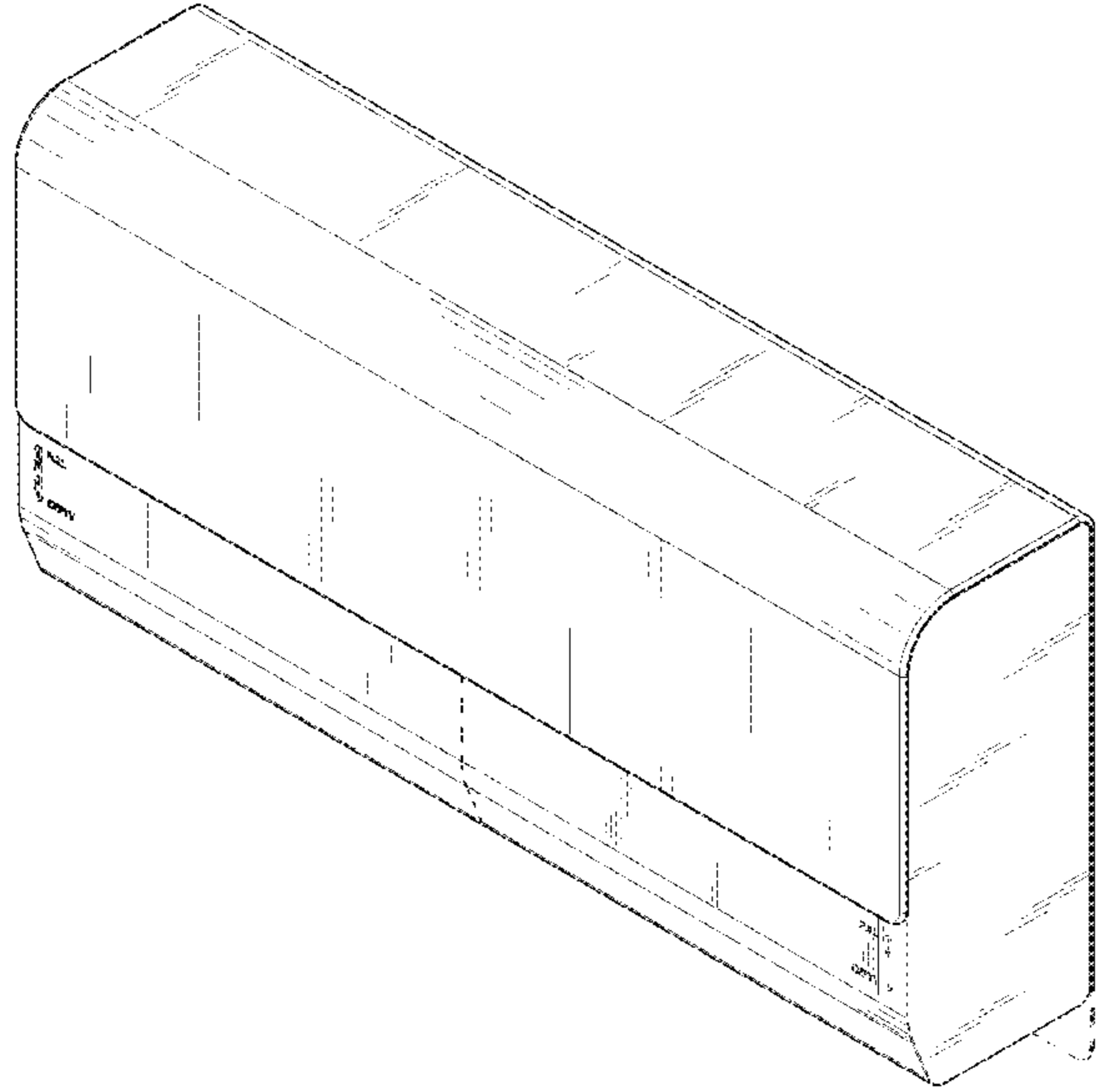
*Primary Examiner* — Nathan M Johnston  
(74) *Attorney, Agent, or Firm* — Boyle Fredrickson, S.C.

(57) **CLAIM**  
The ornamental design for a toilet paper dispenser, substantially as shown and described.

**DESCRIPTION**  
FIG. 1 is a front, raised perspective view of a toilet paper dispenser according to the invention;  
FIG. 2 is a front view of the toilet paper dispenser of FIG. 1;  
FIG. 3 is a rear view of the toilet paper dispenser of FIG. 1;  
FIG. 4 is a right side view of the toilet paper dispenser of FIG. 1;  
FIG. 5 is a left side view of the toilet paper dispenser of FIG. 1;  
FIG. 6 is a top view of the toilet paper dispenser of FIG. 1; and,  
FIG. 7 is a bottom view of the toilet paper dispenser of FIG. 1.  
The broken-lines shown on the surface of the drawings show portions of the toilet paper dispenser that form no part of the claimed design.

**1 Claim, 6 Drawing Sheets**

- (56) **References Cited**  
U.S. PATENT DOCUMENTS  
2,106,363 A \* 1/1938 Teshar ..... A47K 10/22 242/598.6  
D312,369 S \* 11/1990 De Luca ..... D6/522



(56)

**References Cited**

U.S. PATENT DOCUMENTS

D641,578	S	7/2011	Meyerhoffer	
D648,585	S	11/2011	Meyerhoffer	
D653,888	S	2/2012	Velazquez et al.	
D668,485	S *	10/2012	Velazquez .....	D6/523
D687,653	S	8/2013	Giovannoni	
D703,463	S	4/2014	Giovannoni	
D726,443	S	4/2015	Giovannoni	
D726,444	S	4/2015	Giovannoni	
D726,445	S	4/2015	Giovannoni	
D790,873	S	7/2017	Ku et al.	
D796,866	S	9/2017	Johnson	
D796,867	S	9/2017	Johnson	
D796,868	S	9/2017	Johnson	
D809,819	S	2/2018	Johnson	
D811,120	S	2/2018	Johnson	
D830,636	S	10/2018	Loong	
D840,171	S	2/2019	Buell et al.	
D840,712	S	2/2019	Buell et al.	
D840,713	S	2/2019	Buell et al.	
D855,348	S	8/2019	Buell et al.	
D862,109	S *	10/2019	Meyer .....	D6/518
D869,193	S	12/2019	Peterson	
D871,672	S	12/2019	Hongfei	
2009/0250484	A1 *	10/2009	Kling .....	B65H 7/04 221/14
2018/0199767	A1 *	7/2018	Paul .....	A47K 10/36

\* cited by examiner

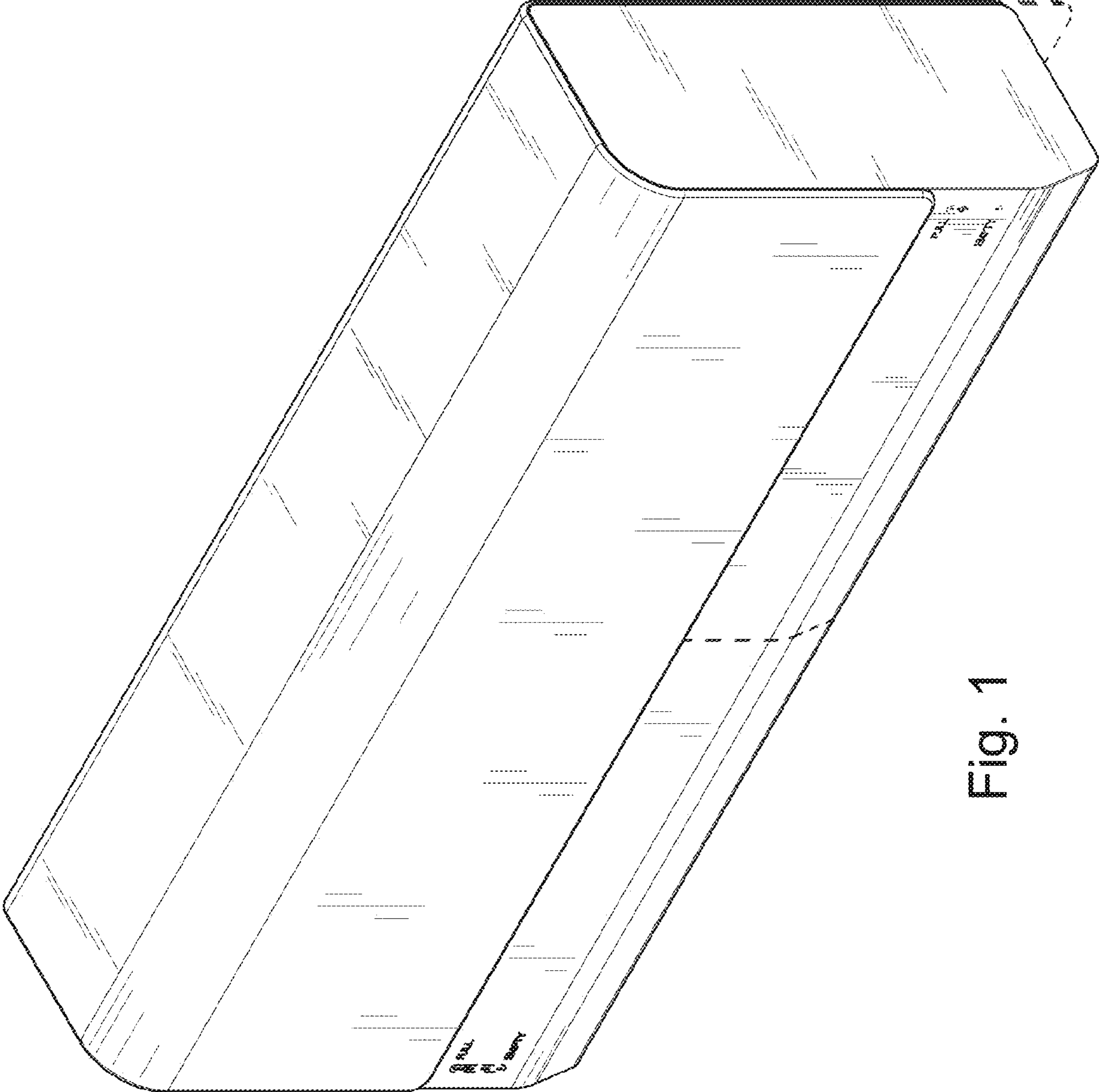


Fig. 1

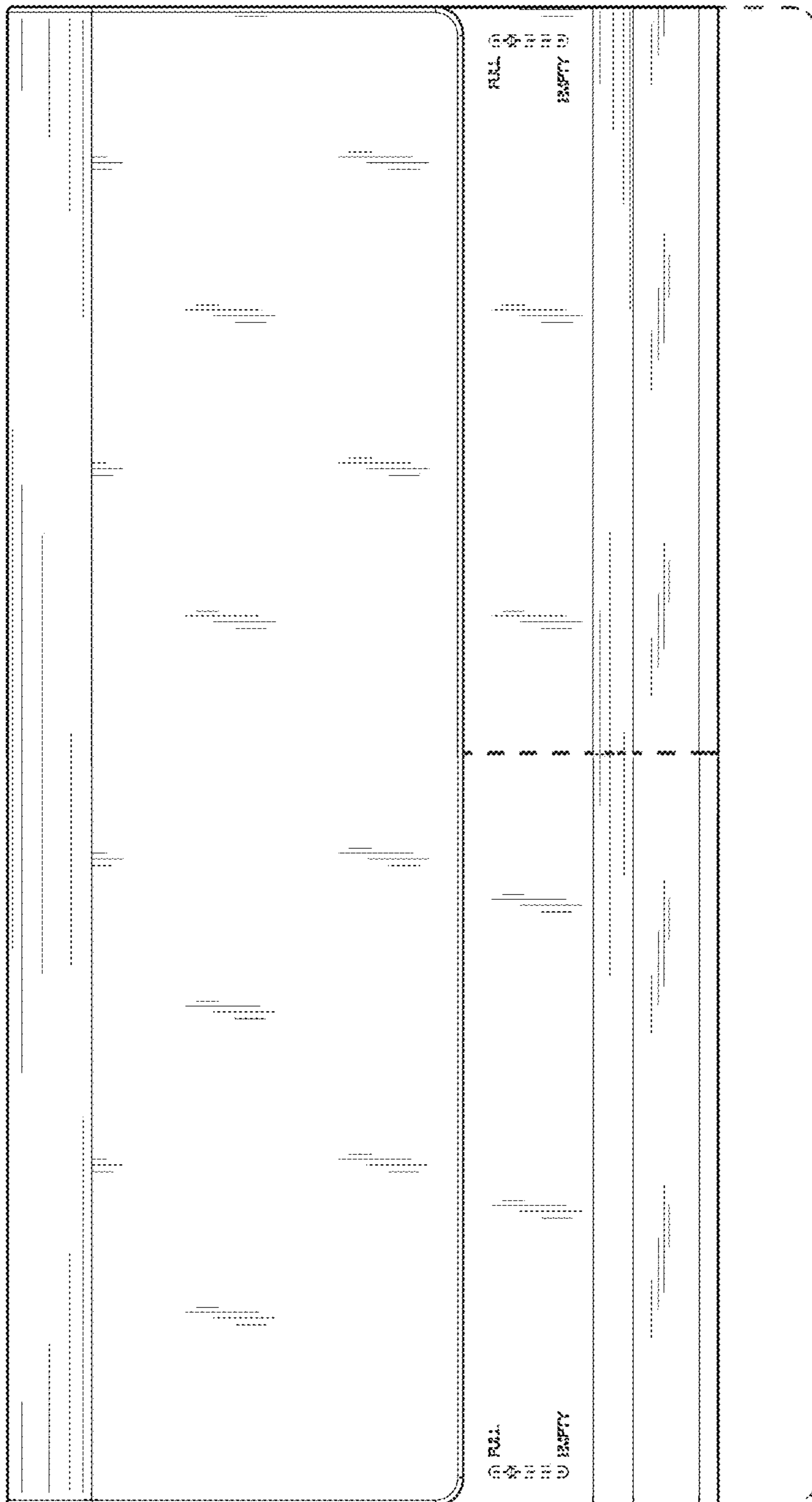


Fig. 2

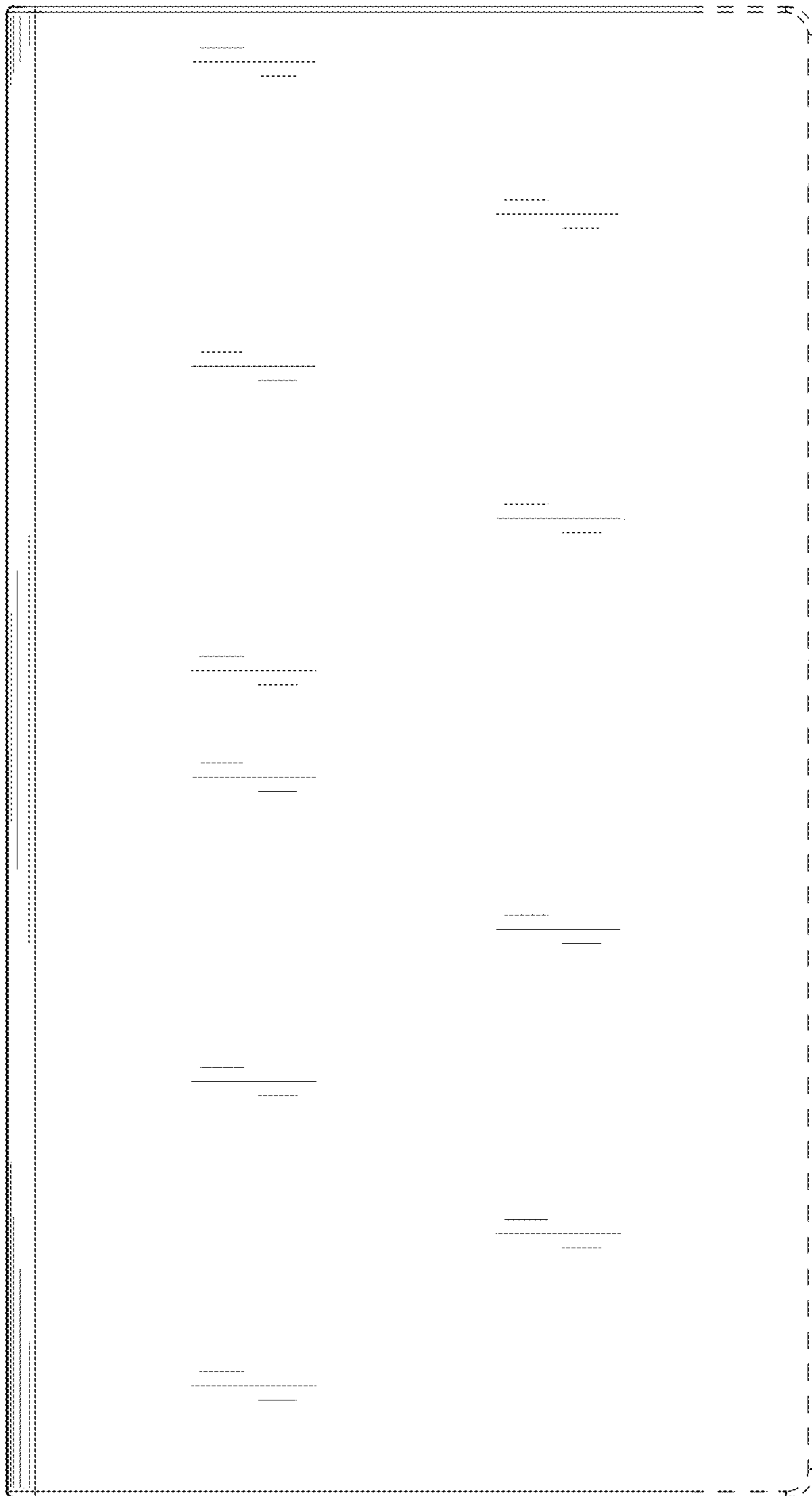


Fig. 3

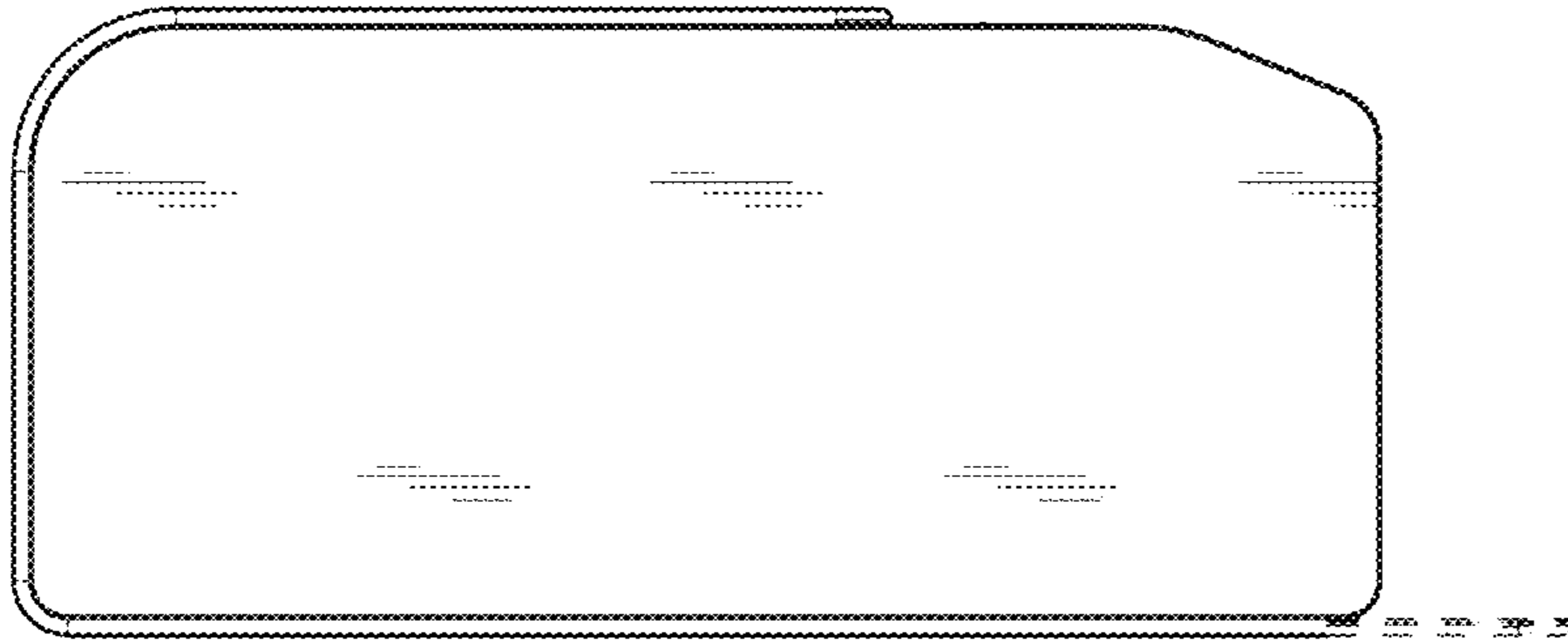


Fig. 4

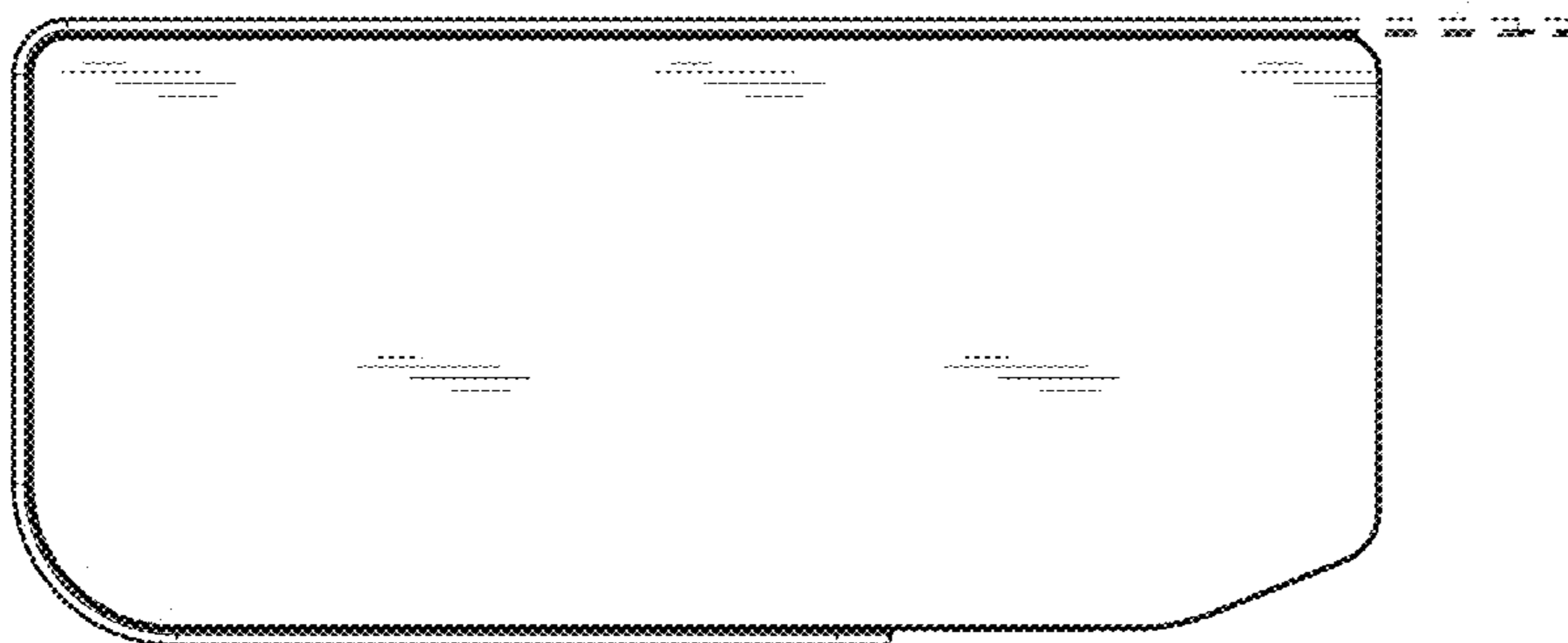


Fig. 5



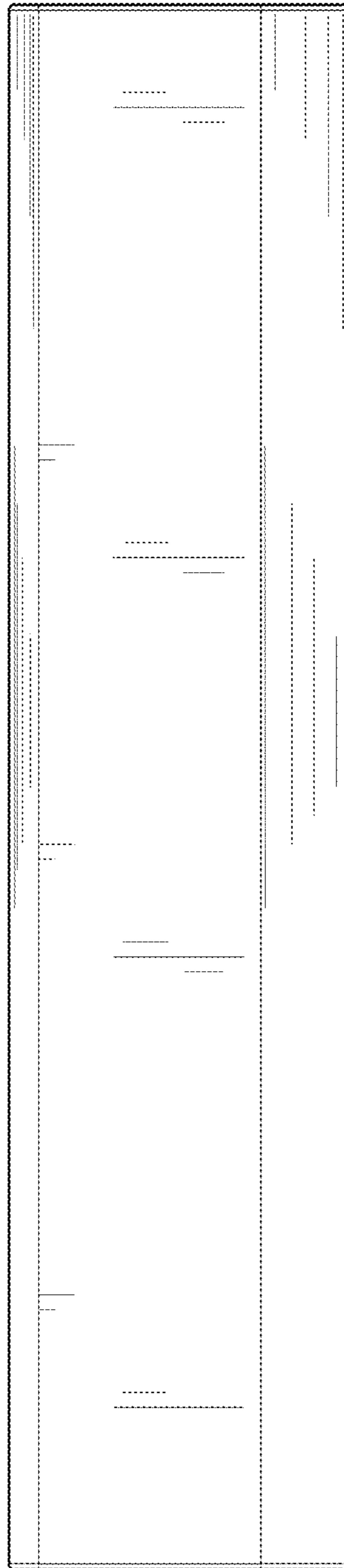


Fig. 6

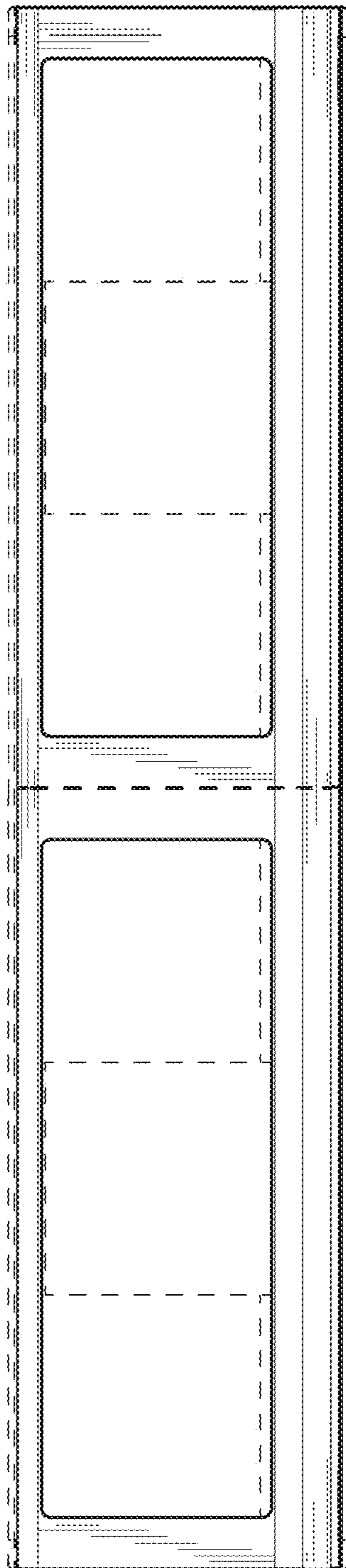


Fig. 7