



US00D981746S

(12) **United States Design Patent** (10) **Patent No.:** **US D981,746 S**
Mayer (45) **Date of Patent:** **** Mar. 28, 2023**

(54) **COVER FOR TISSUE BOXES**

(71) Applicant: **Simone Mayer**, Miami, FL (US)

(72) Inventor: **Simone Mayer**, Miami, FL (US)

(**) Term: **15 Years**

(21) Appl. No.: **29/712,103**

(22) Filed: **Nov. 5, 2019**

(51) **LOC (14) Cl.** **06-06**

(52) **U.S. Cl.**
USPC **D6/518**

(58) **Field of Classification Search**
USPC D6/518, 519-524, 546-550, 515;
D9/529, 432, 734, 435, 416, 730;
D3/318
CPC A47K 10/38; A47K 2010/3266; A47K
2010/3253; A47K 10/421; A47K 10/185;
B65D 83/0805

See application file for complete search history.

(56) **References Cited**

U.S. PATENT DOCUMENTS

D594,754 S	*	6/2009	Dretzka	D6/518
D627,998 S	*	11/2010	Yang	D6/518
D631,268 S	*	1/2011	Yang	D6/518
D669,714 S	*	10/2012	Legreca	D6/518
D905,465 S	*	12/2020	Chiang	D6/518
D929,147 S	*	8/2021	Ghiorghie	D6/518
D938,284 S	*	12/2021	Kurker	D9/734

FOREIGN PATENT DOCUMENTS

EM	007717947-0001	*	6/2020
GB	9007717947-0001	*	2/2020

OTHER PUBLICATIONS

Small Metal Square Facial Tissue Box Cover. mDesign (online) 10 pgs. Available 2020. [Retrieved Jan. 11, 2023] <https://www.target.com/p/mdesign-small-metal-square-facial-tissue-box-cover-holder-brushed/-/A-81783409#lnk=sametab> (Year: 2020).*
Resin Tissue Box Cover. Sonoma Goods for Life (online) 16 pgs. Available 2017. [Retrieved Jan. 10, 2023] <https://www.kohls.com/product/prd-3231282/croft-and-barrow-resin-tissue-box-cover.jsp> (Year: 2017).*

* cited by examiner

Primary Examiner — Marie D. Fast Horse
Assistant Examiner — Jennifer Sierra Yosinski
(74) *Attorney, Agent, or Firm* — Fross Zelnick Lehrman & Zissu, P.C.; Charles T. J. Weigell, Esq.

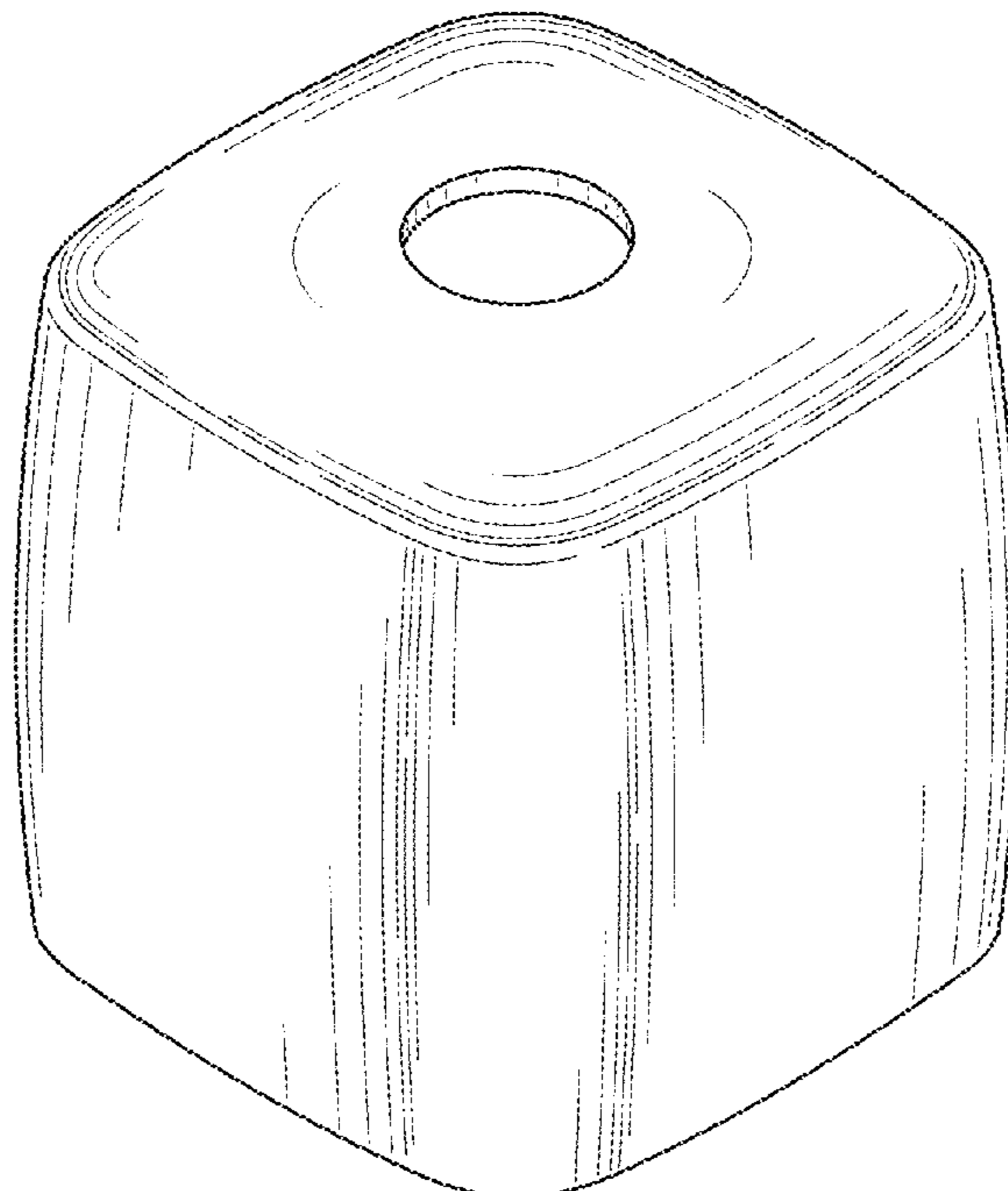
(57) **CLAIM**

The ornamental design for a cover for tissue boxes, as shown and described.

DESCRIPTION

FIG. 1 is a front perspective view of a cover for tissue boxes showing my new design;
FIG. 2 is a front view thereof;
FIG. 3 is a back view thereof;
FIG. 4 is a right side view thereof;
FIG. 5 is a left side view thereof;
FIG. 6 is a top view thereof; and,
FIG. 7 is a bottom view thereof.
The dash-dash broken lines in the drawings represent portions of the cover for tissue boxes that form no part of the claimed design. The dash-dot broken lines define an unclaimed boundary of the claimed design.

1 Claim, 4 Drawing Sheets



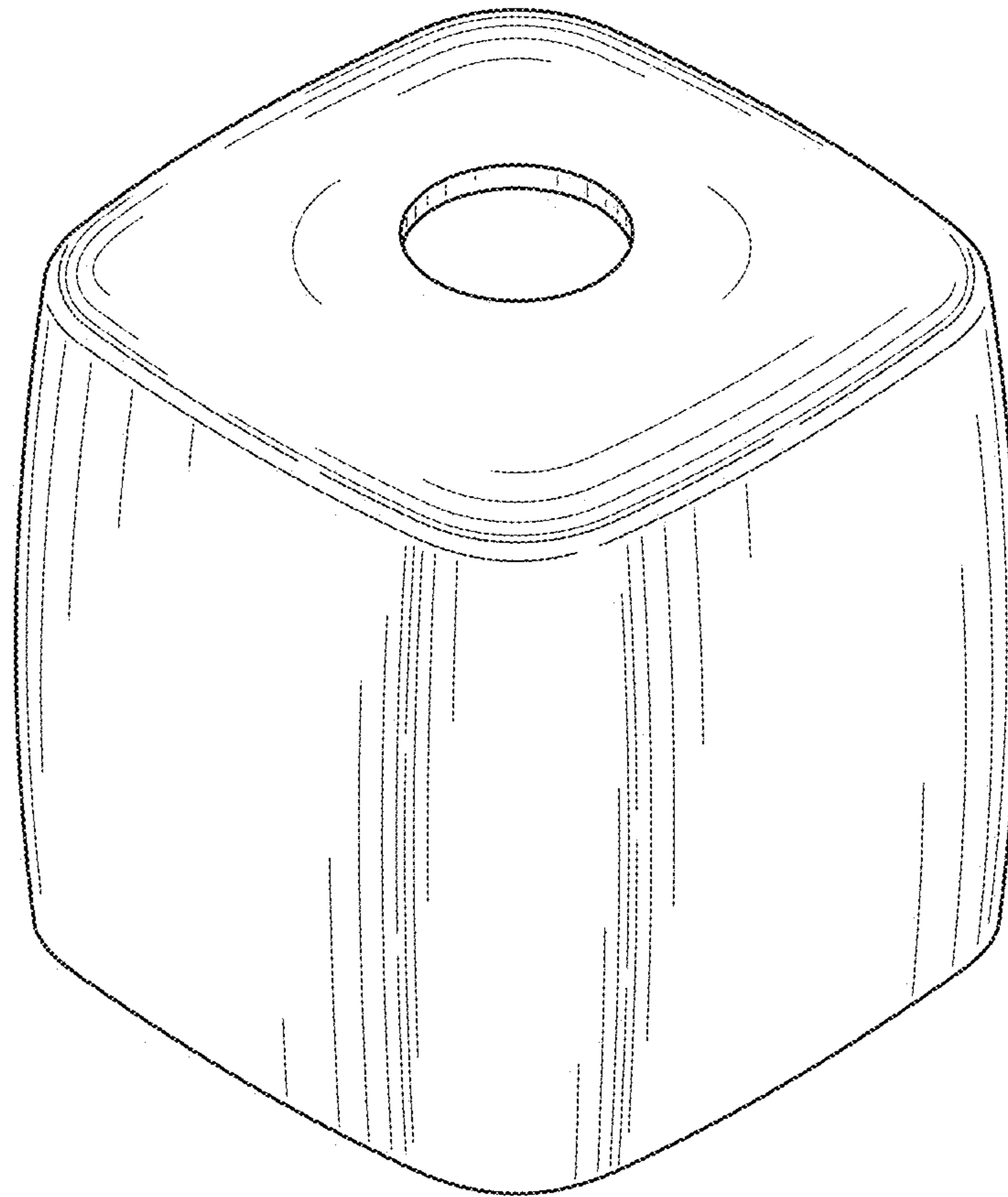


FIG. 1

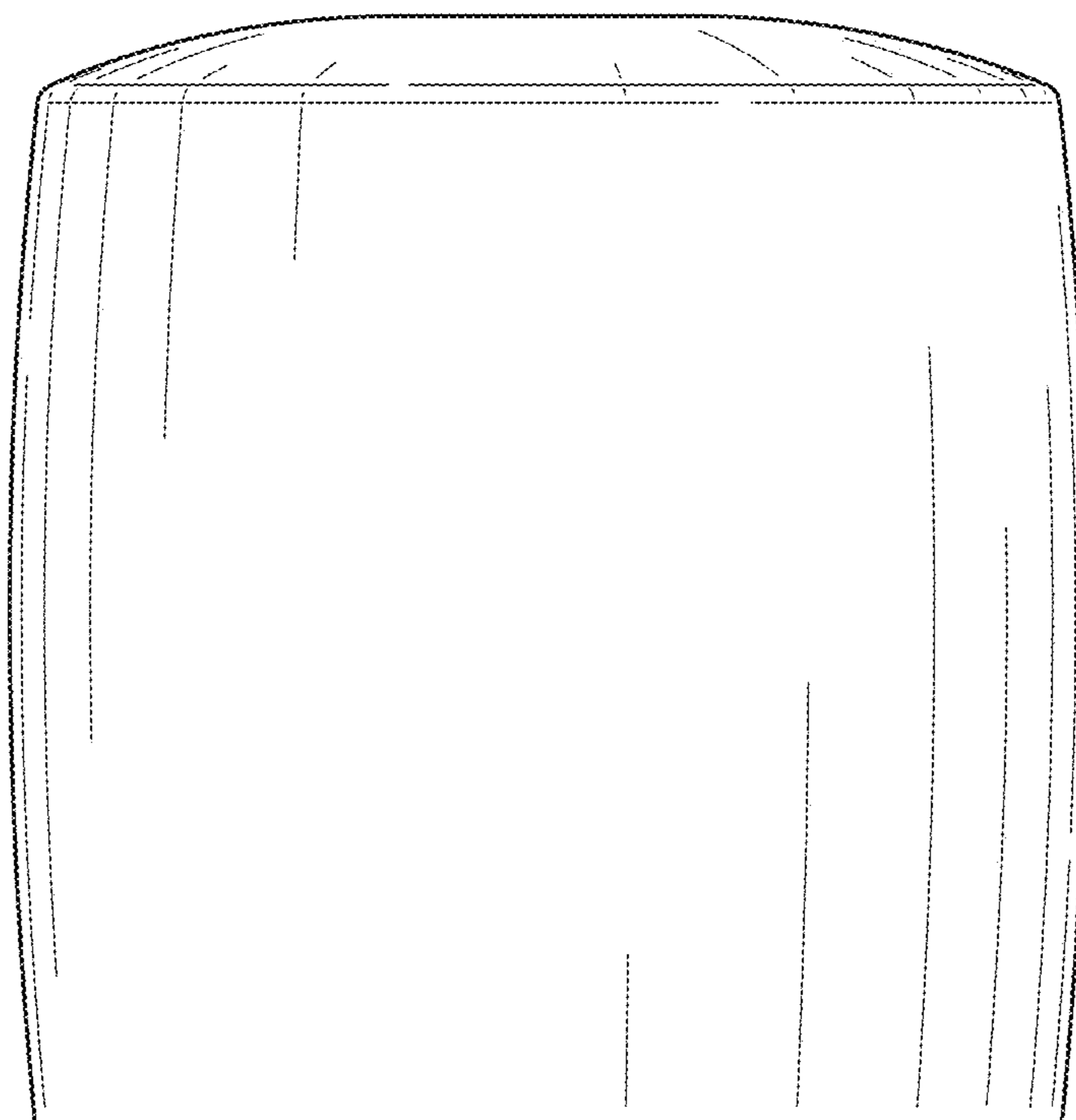


FIG. 2

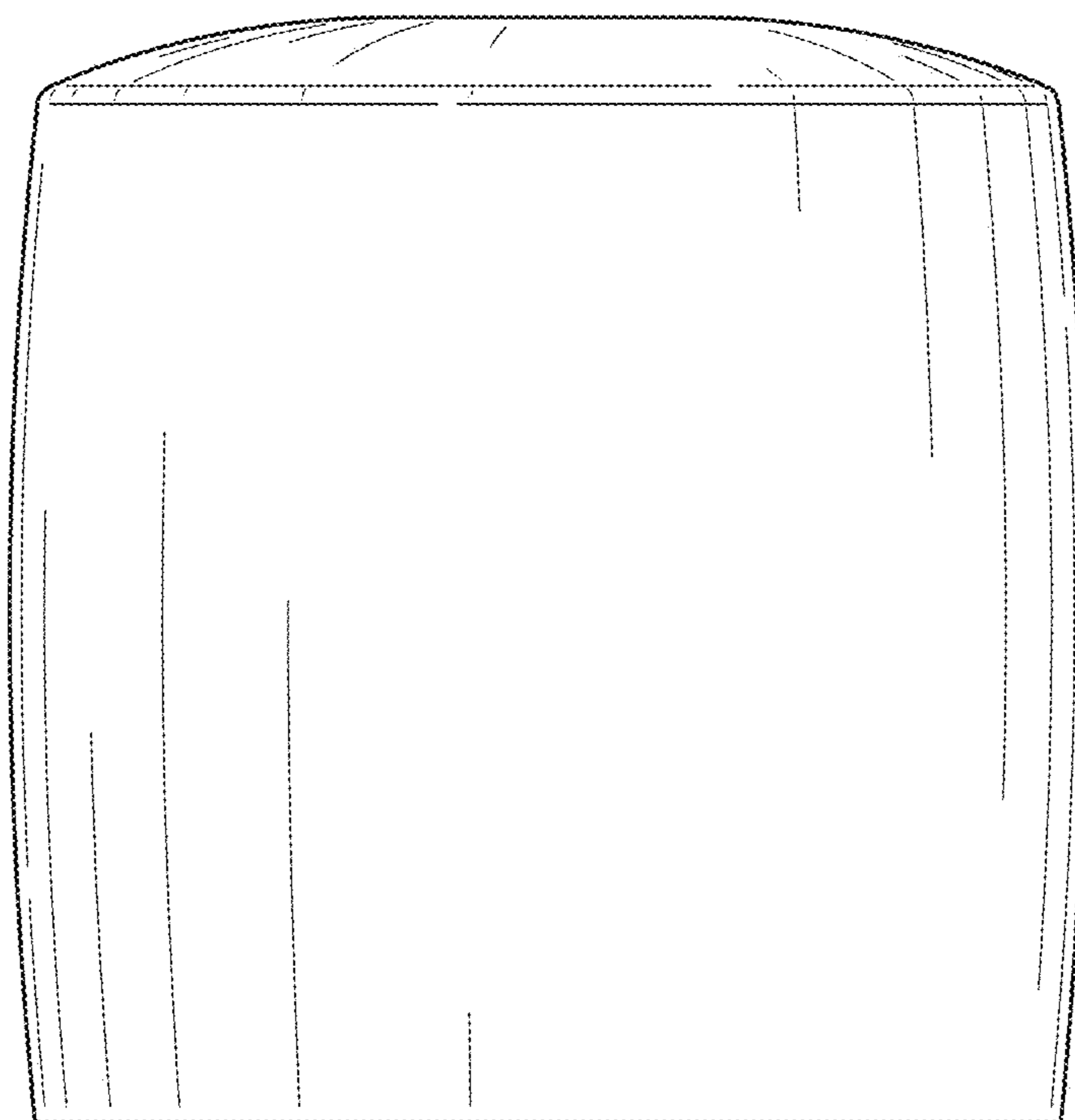


FIG. 3

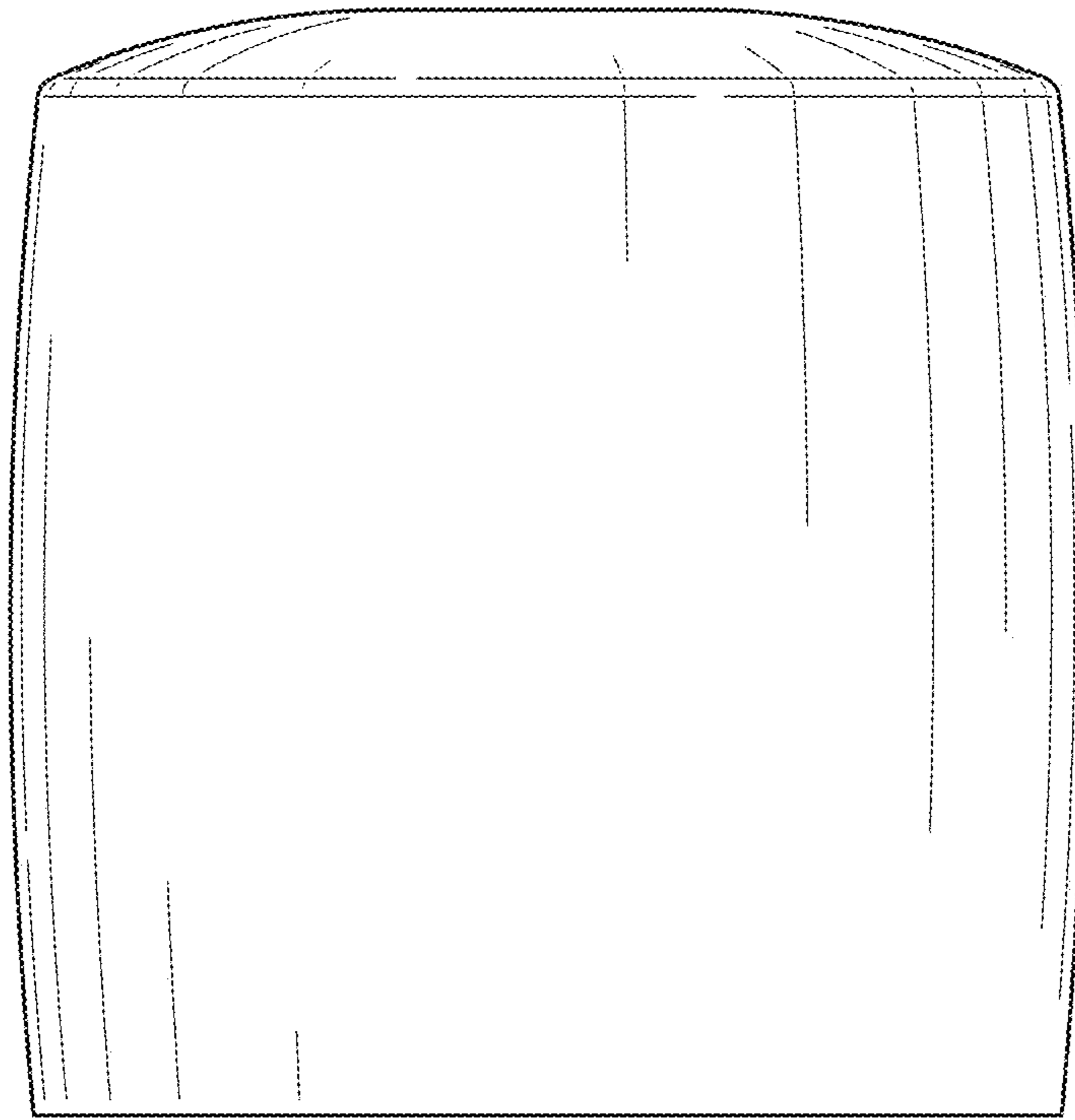


FIG. 4

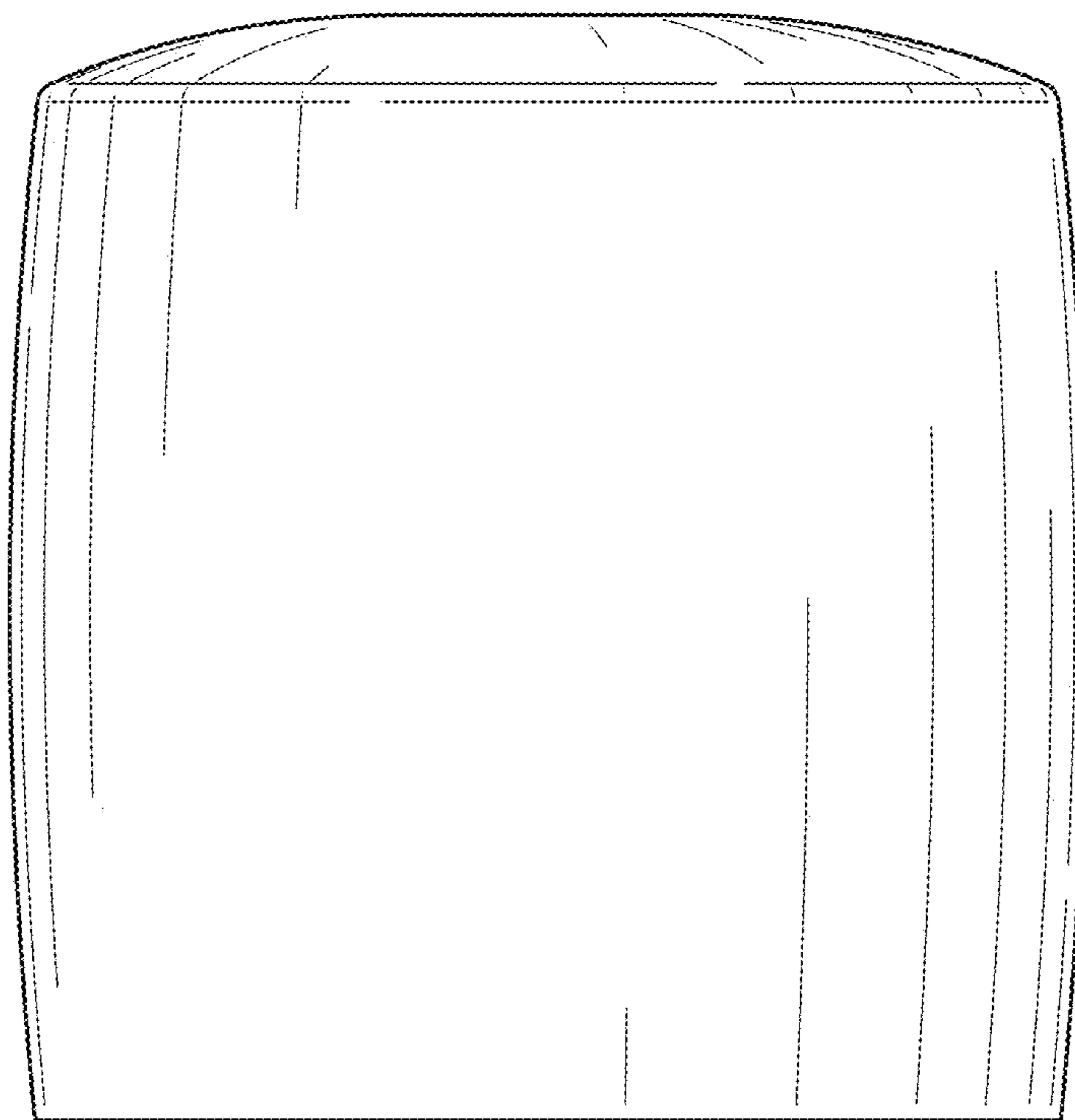


FIG. 5

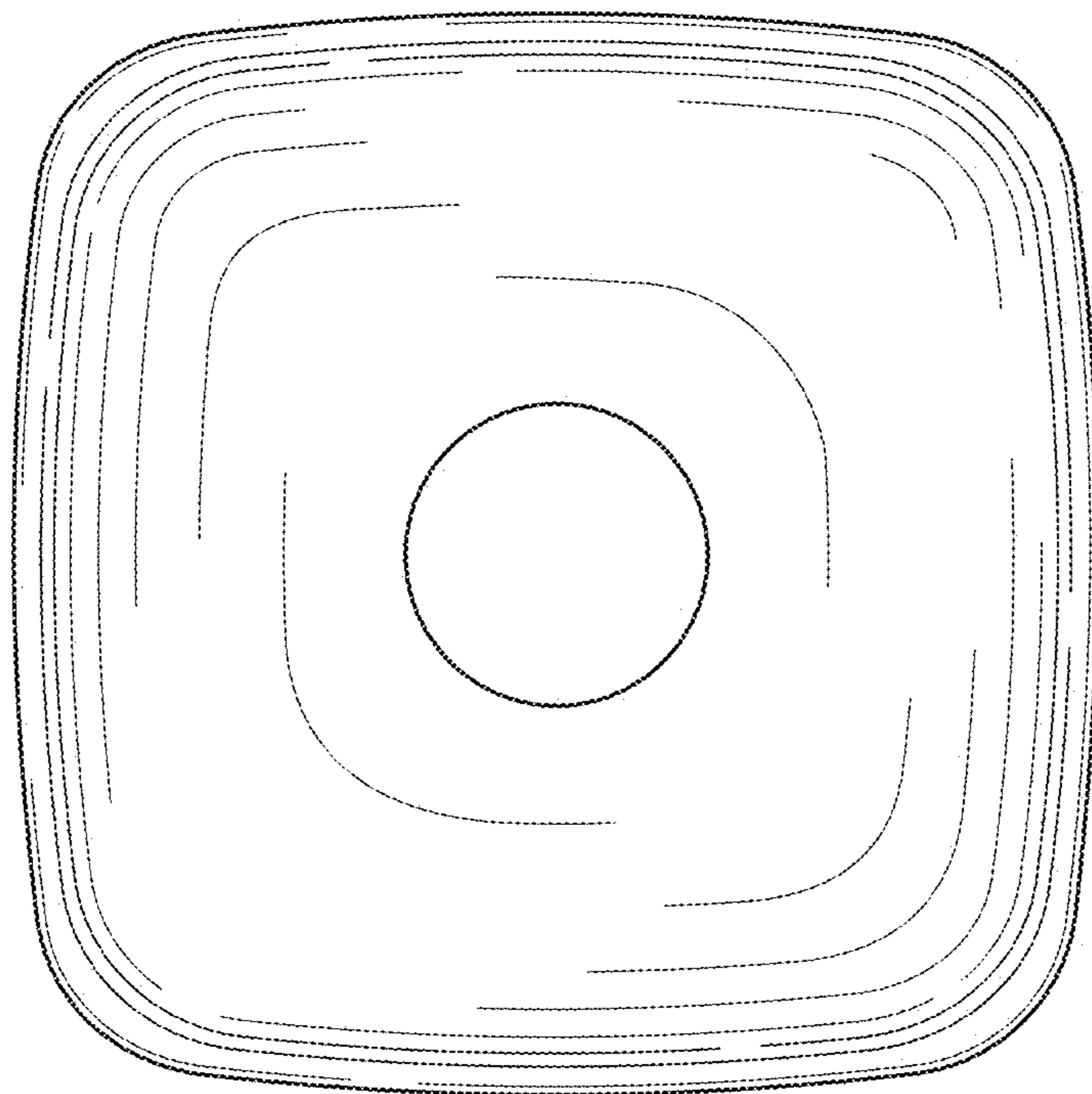


FIG. 6

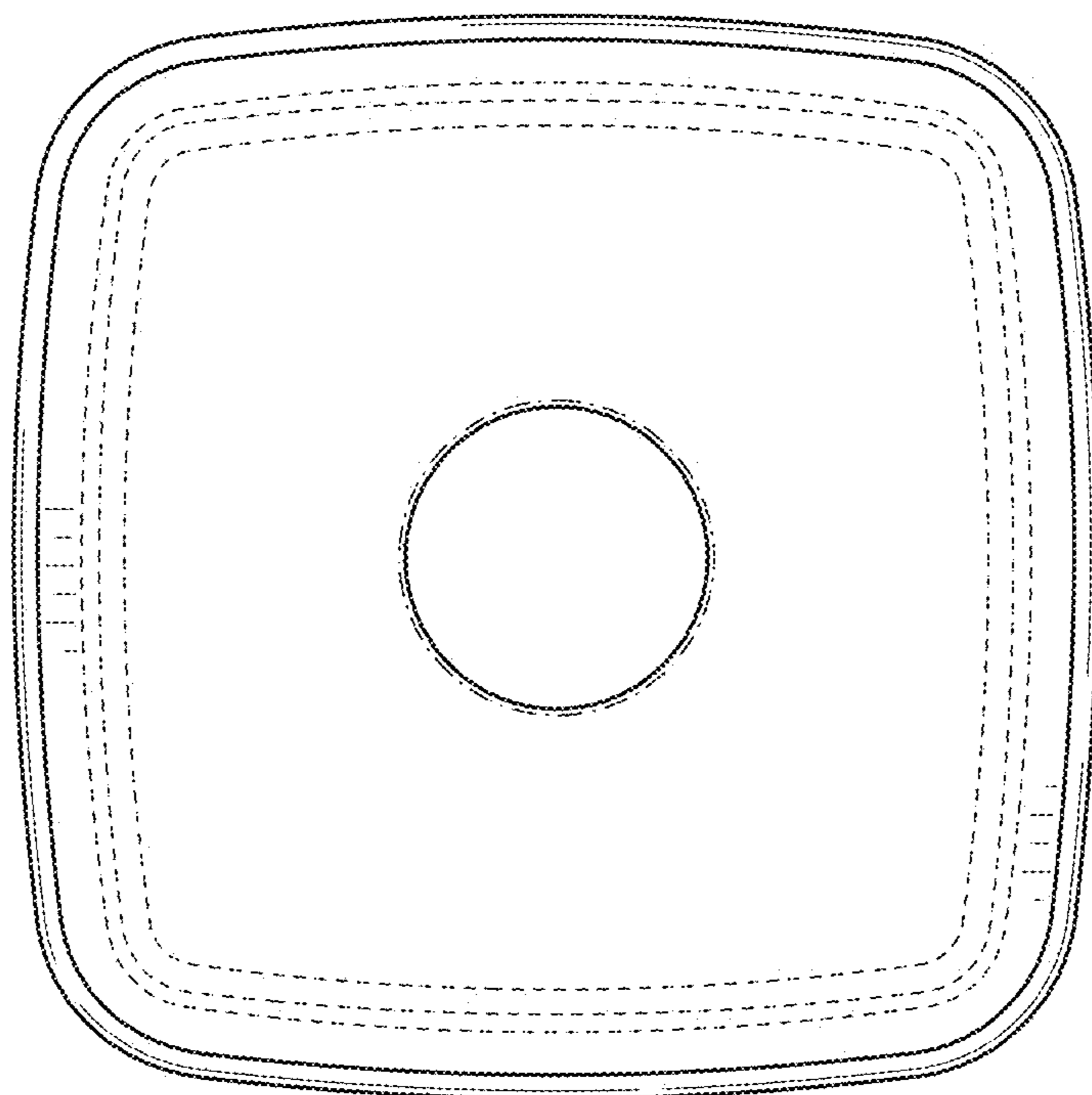


FIG. 7