



US00D981745S

(12) **United States Design Patent** (10) **Patent No.:** **US D981,745 S**  
**Pallrand** (45) **Date of Patent:** **\*\* Mar. 28, 2023**

(54) **CHAIR**

(71) Applicant: **Home Front Build, Inc.**, Los Angeles, CA (US)

(72) Inventor: **Stephen Pallrand**, Los Angeles, CA (US)

(73) Assignee: **HOME FRONT BUILD, INC.**, Los Angeles, CA (US)

(\*\*) Term: **15 Years**

(21) Appl. No.: **29/867,608**

(22) Filed: **Oct. 31, 2022**

(51) **LOC (14) Cl.** ..... **06-01**

(52) **U.S. Cl.**  
USPC ..... **D6/375**

(58) **Field of Classification Search**

USPC ..... D6/369, 375, 377, 379, 380, 716.4, 332, D6/334, 335, 364, 358, 363, 371, 643, D6/643.1, 644; D12/345; D25/138  
CPC ..... A47B 91/04; A47C 1/143; A47C 3/00; A47C 3/023; A47C 3/12; A47C 4/02; A47C 5/12; A47C 7/002; A47C 7/46; A47C 7/66; A47C 9/005; A47C 9/025; Y10S 297/02

See application file for complete search history.

(56) **References Cited**

**U.S. PATENT DOCUMENTS**

3,604,749 A \* 9/1971 Parmett ..... A47C 3/04 297/451.12  
D225,871 S \* 1/1973 Grannell ..... D6/643  
3,955,850 A 5/1976 Toso  
D241,589 S \* 9/1976 Laylon ..... D6/363  
D245,950 S \* 10/1977 Mathur ..... D6/334

(Continued)

**FOREIGN PATENT DOCUMENTS**

AU 143406 4/2001  
FR 042027-0001 5/2004

(Continued)

**OTHER PUBLICATIONS**

Homary.com, <https://www.homary.com/item/modern-4-pieces-khaki-curved-sectional-floor-sofa-velvet-upholstered-with-ottoman-13676.html>, last visited Oct. 18, 2022.

(Continued)

*Primary Examiner* — Kevin K Rudzinski

*Assistant Examiner* — Paul D Bohannon

(74) *Attorney, Agent, or Firm* — Gottlieb, Rackman & Reisman, PC

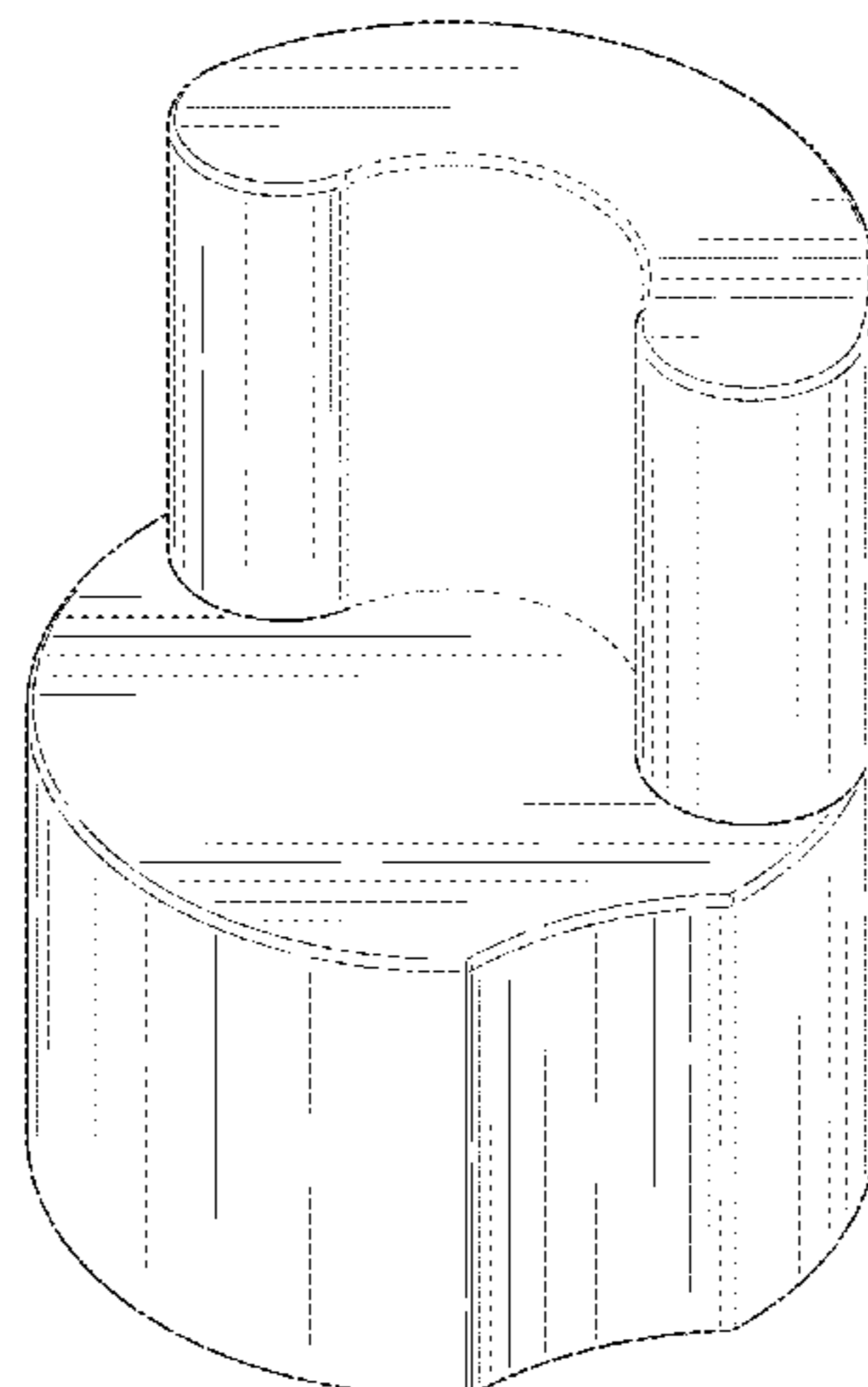
(57) **CLAIM**

The ornamental design for a chair, as shown and described.

**DESCRIPTION**

FIG. 1 is a perspective view of a chair showing my new design;  
FIG. 2 is a first side elevation view thereof;  
FIG. 3 is a second side elevation view thereof;  
FIG. 4 is a third side elevation view thereof;  
FIG. 5 is a fourth side elevation view thereof;  
FIG. 6 is a top plan view thereof;  
FIG. 7 is a bottom plan view thereof;  
FIG. 8 is a representative perspective view of the chair showing an ottoman nesting within a concave curvature of the base of the chair;  
FIG. 9 is a representative perspective view of the chair showing an ottoman adjacent thereto; and,  
FIG. 10 is a representative perspective view of the chair adjacent showing another chair nesting within the concave curvature of the base of the chair and yet another chair adjacent another side of the chair.  
The broken lines shown in the drawings are included for the purpose of illustrating portions of the chair and/or adjacent structure that form no part of the claimed design.

**1 Claim, 7 Drawing Sheets**



(56)

References Cited

U.S. PATENT DOCUMENTS

D245,953 S \* 10/1977 Mathur ..... D6/334  
 D248,912 S \* 8/1978 Canfield ..... D6/698  
 D264,276 S \* 5/1982 Poelvoorde ..... D6/335  
 D264,898 S \* 6/1982 Baker ..... D6/364  
 D277,432 S \* 2/1985 Appel ..... D6/364  
 D289,467 S \* 4/1987 Pickett ..... D6/358  
 D296,734 S \* 7/1988 Valdez ..... D6/358  
 D330,638 S \* 11/1992 Moschini ..... D6/334  
 D349,608 S \* 8/1994 Savoie ..... D25/138  
 D412,625 S \* 8/1999 Montague, III ..... D6/643.1  
 6,045,193 A 4/2000 Johnson  
 D423,800 S \* 5/2000 Lewis ..... D6/334  
 6,739,670 B2 5/2004 Johnson  
 7,131,699 B2 11/2006 Mulmed  
 7,555,989 B2 7/2009 Sherman  
 D615,476 S \* 5/2010 Bock ..... D12/345  
 D628,824 S \* 12/2010 Vignelli ..... D6/364  
 8,833,271 B2 9/2014 Everett  
 2003/0189364 A1 10/2003 Friedman

2004/0201261 A1 10/2004 Johnson  
 2015/0028633 A1 1/2015 Stubbs et al.  
 2022/0225778 A1\* 7/2022 Gillissie ..... A47C 7/68

FOREIGN PATENT DOCUMENTS

GB 6025625 1/2018  
 GB 6025626 1/2018  
 IT 004714418-003 2/2018

OTHER PUBLICATIONS

Worthington Direct, <https://www.worthingtondirect.com/35038-blossom-soft-seating-modular-upholstered-stool-lounge-seat-set-fiorella-pollenvivacious.htm>, last visited Oct. 18, 2022.  
 Artsy Sister, [https://artsysister.com/products/ecr4kids-toddler-modular-stool-set-butterfly-shaped-foam-seats-child-size-stool-colorful-flexible-seating-homeschool-learning-daycares-and-classroom-furniture-6-piece-contemporary?\\_pos=2&\\_sid=b770a0d0b&\\_ss=r](https://artsysister.com/products/ecr4kids-toddler-modular-stool-set-butterfly-shaped-foam-seats-child-size-stool-colorful-flexible-seating-homeschool-learning-daycares-and-classroom-furniture-6-piece-contemporary?_pos=2&_sid=b770a0d0b&_ss=r), last visited Oct. 18, 2022.

\* cited by examiner

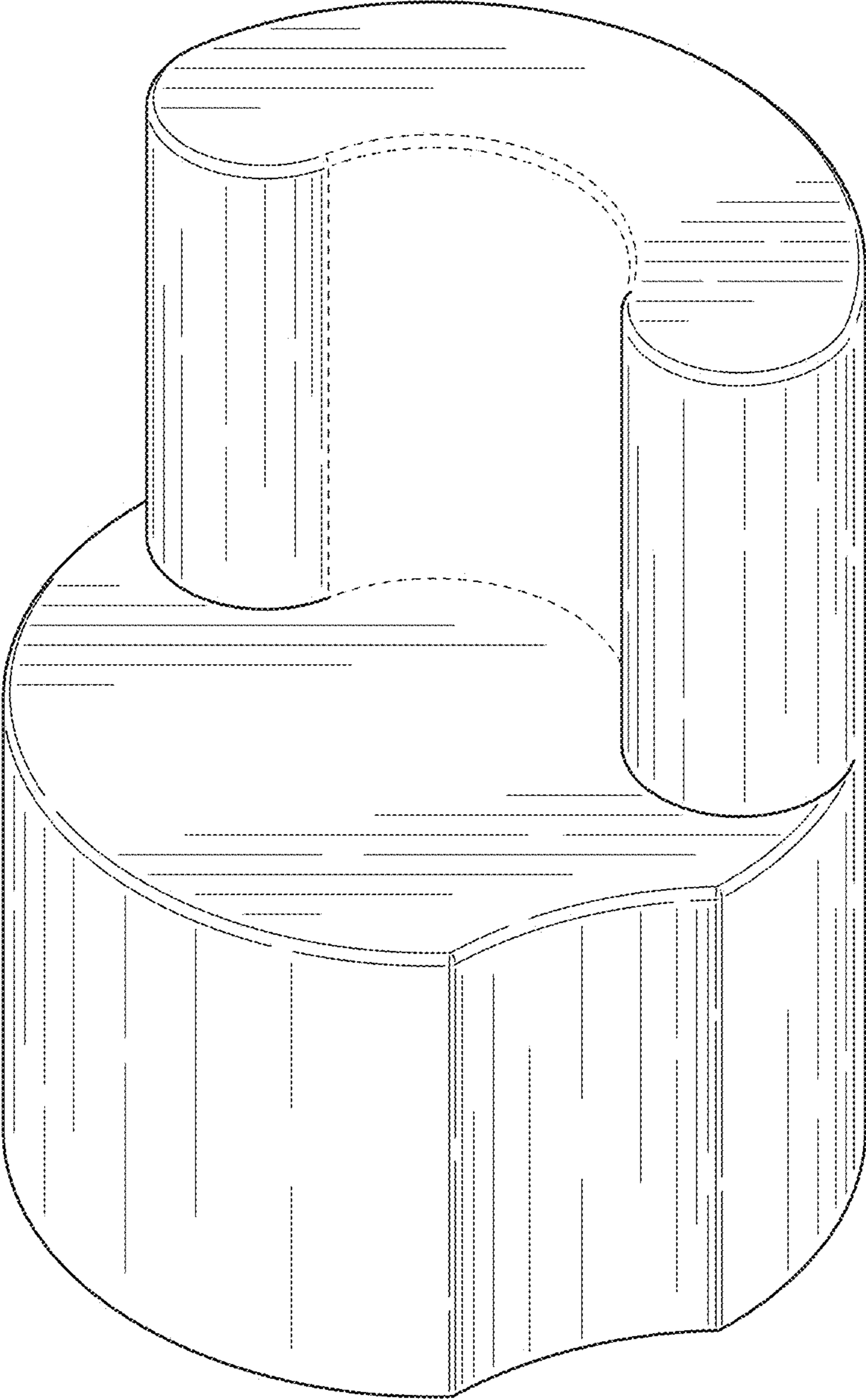


FIG. 1

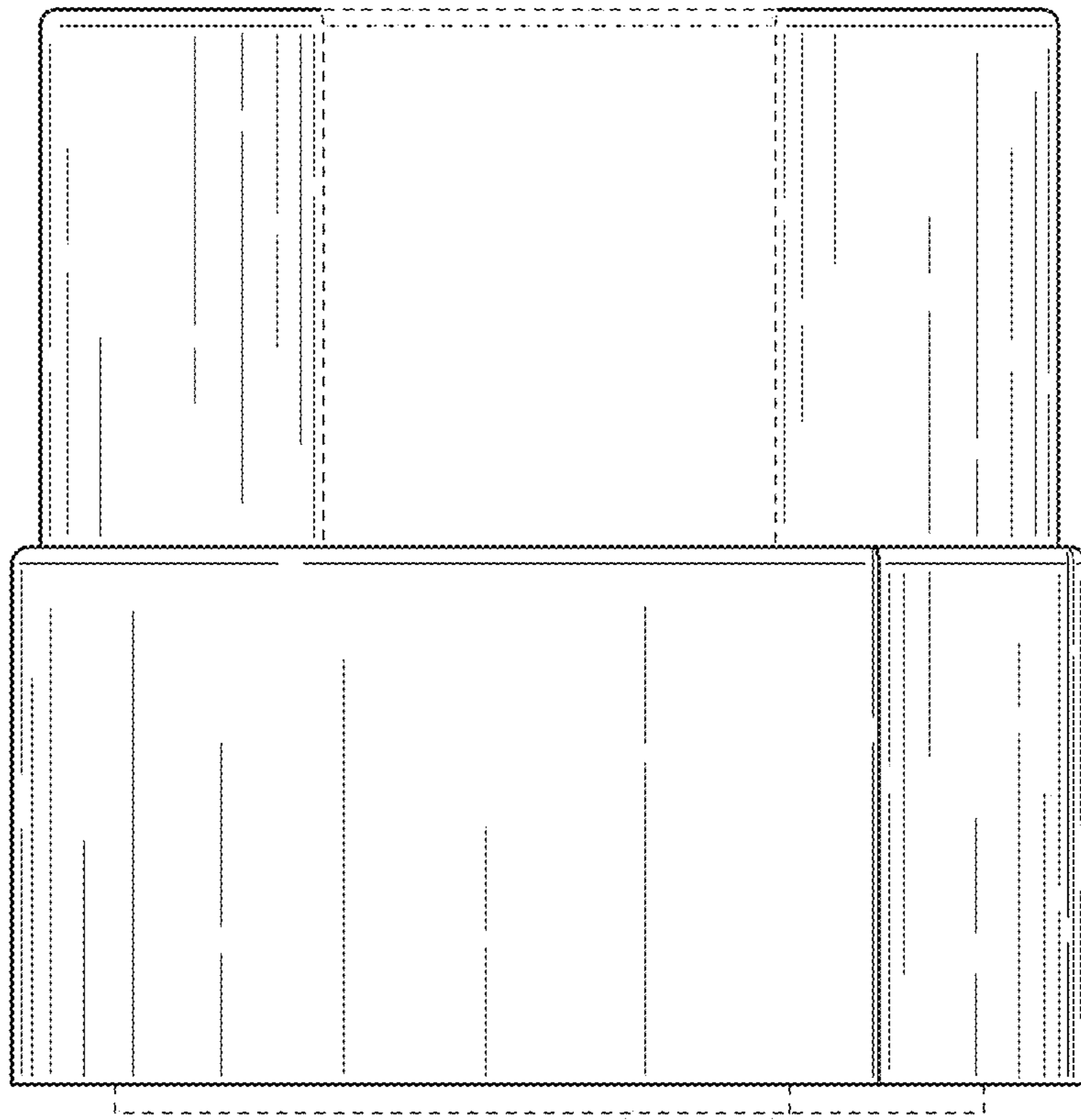


FIG. 2

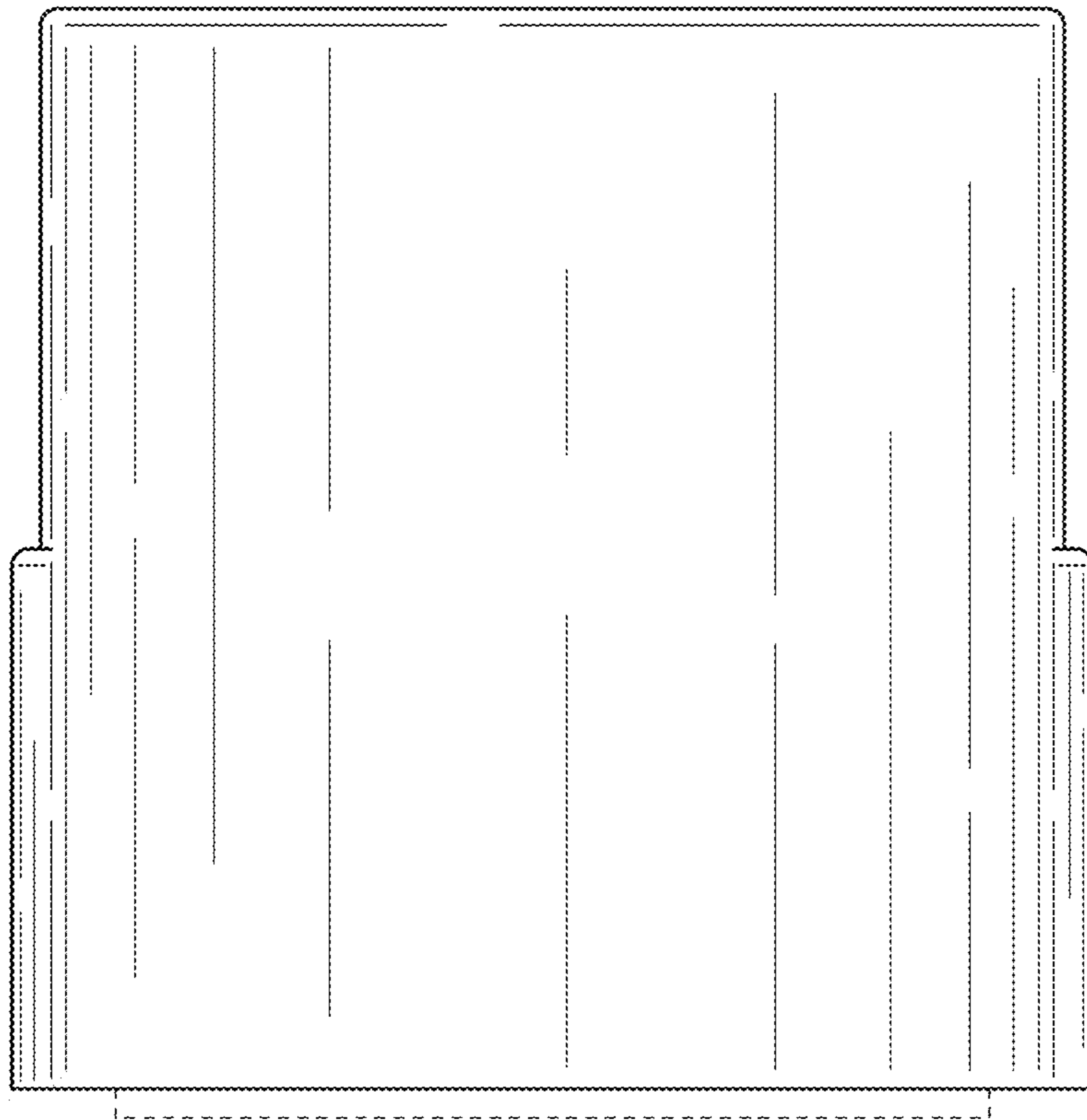


FIG. 3

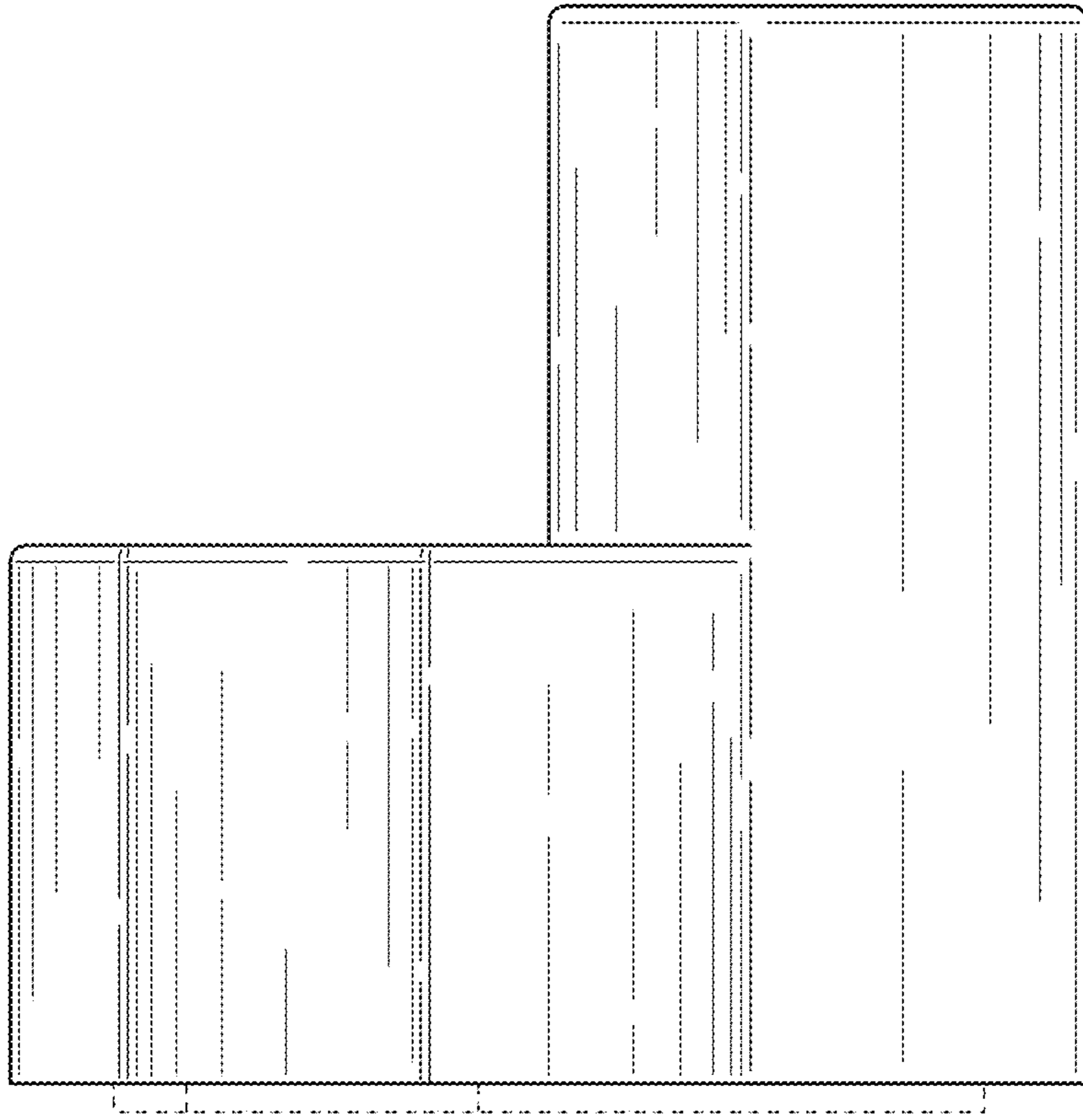


FIG. 4

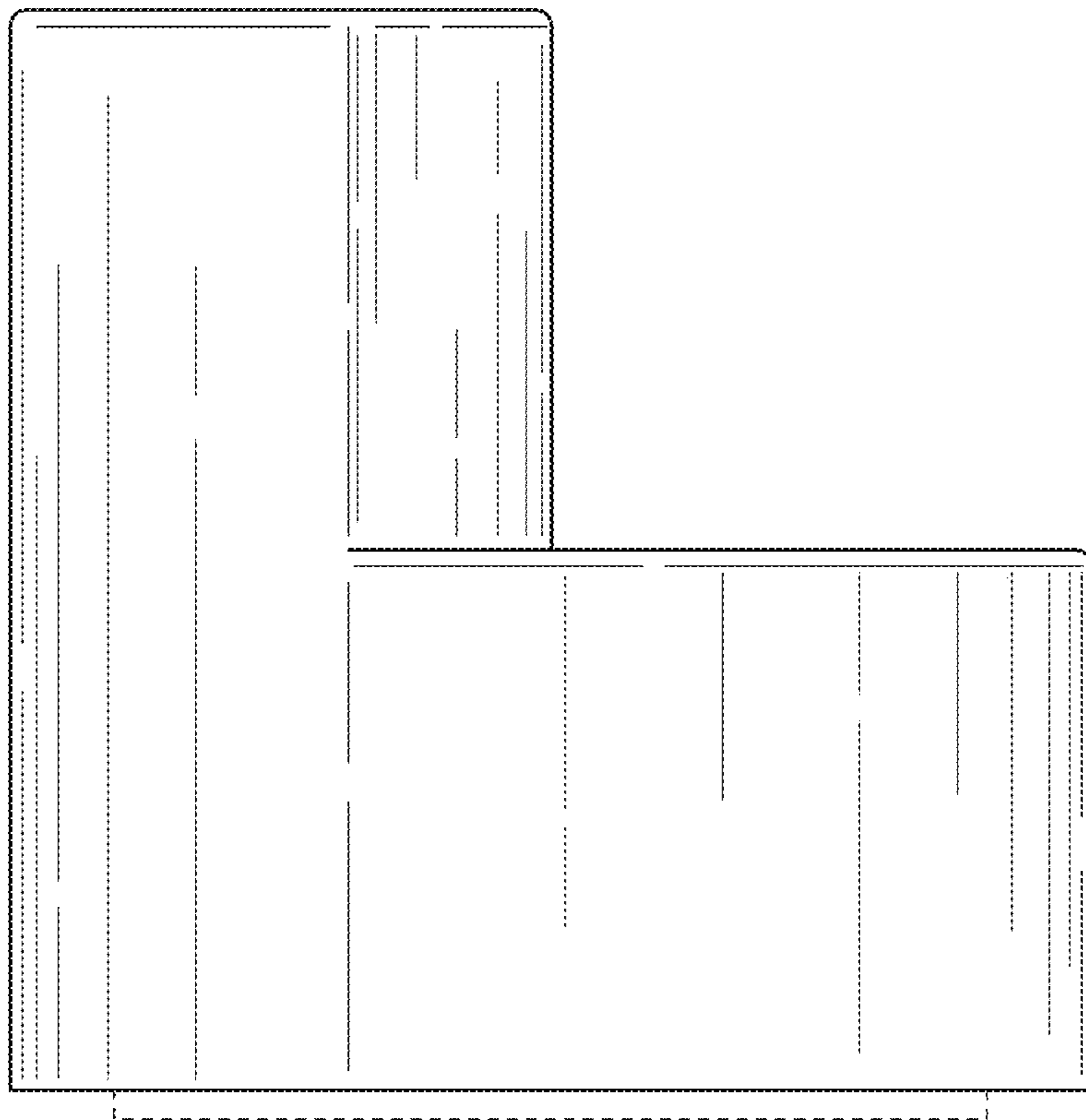


FIG. 5

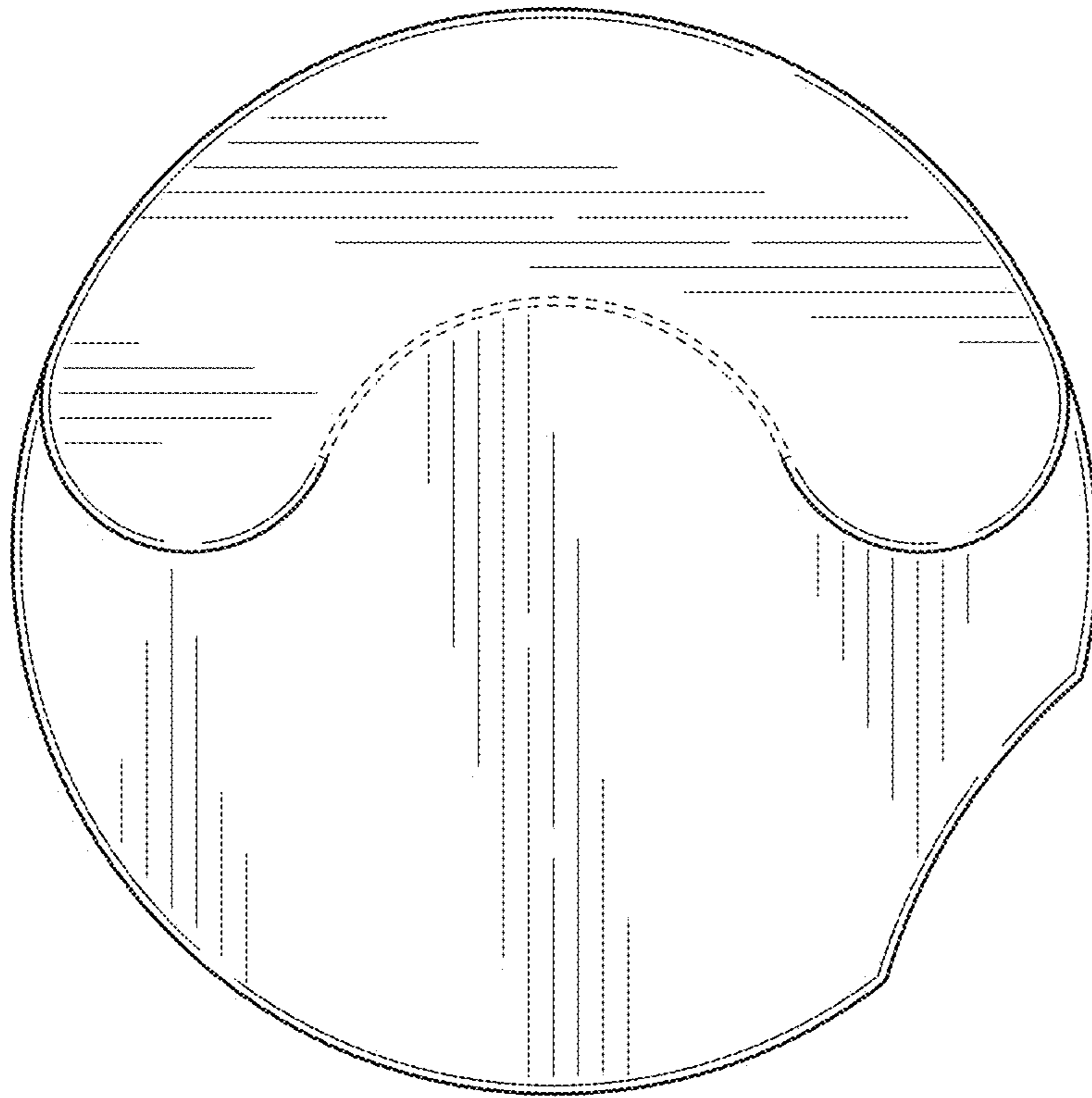


FIG. 6

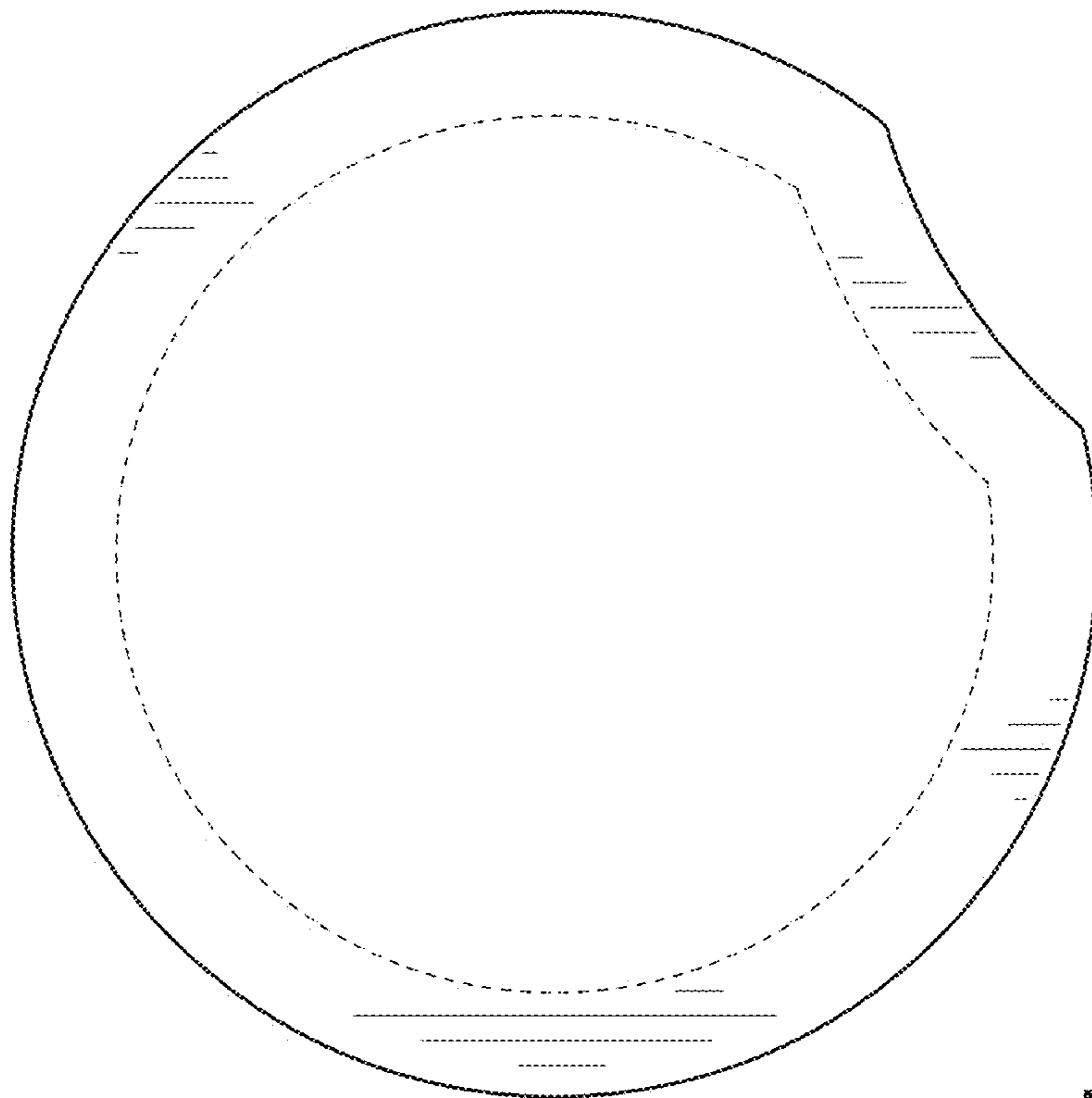


FIG. 7

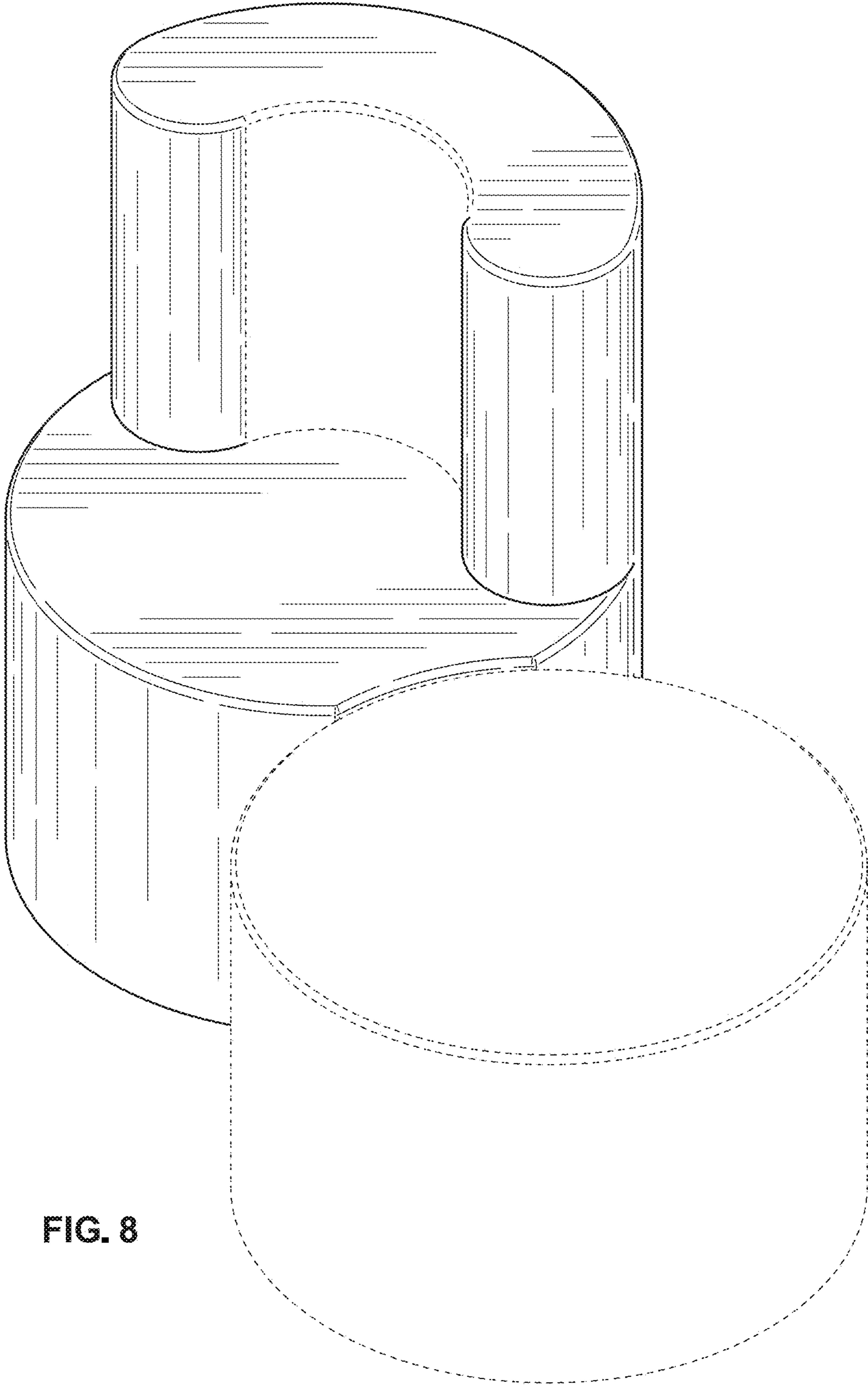


FIG. 8

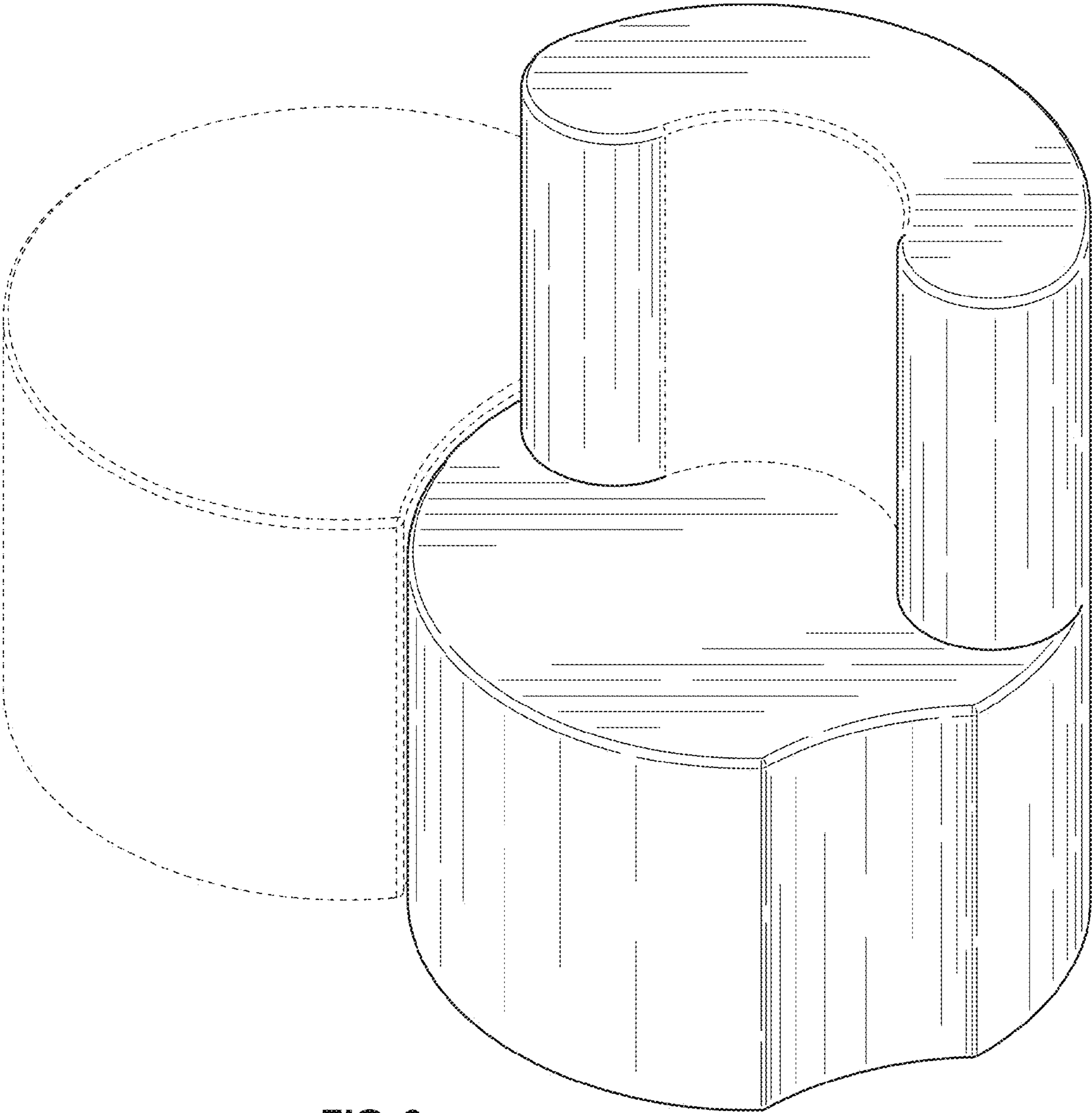


FIG. 9



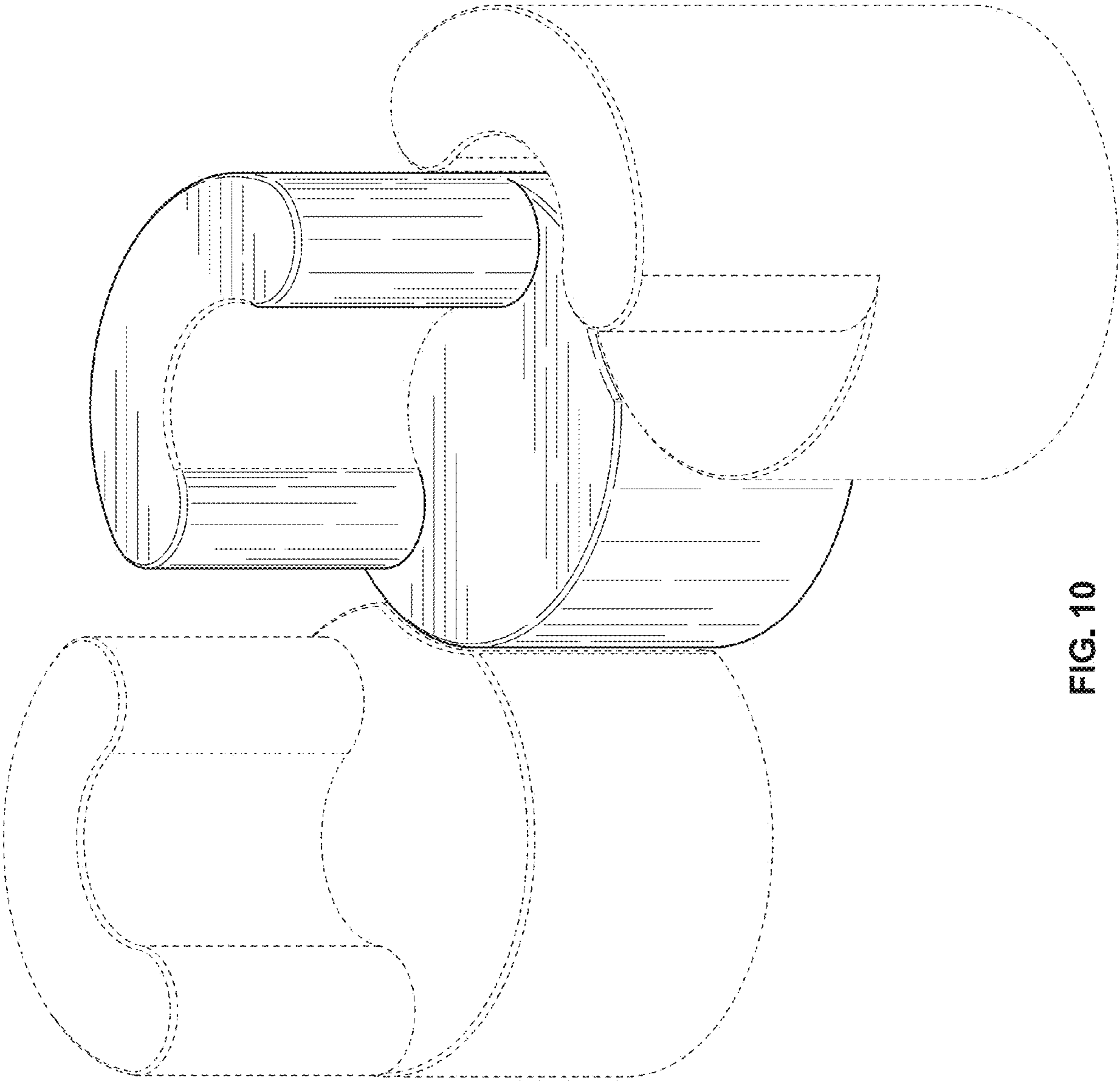


FIG. 10