



US00D981744S

(12) **United States Design Patent** (10) **Patent No.:** **US D981,744 S**
Wu (45) **Date of Patent:** **** Mar. 28, 2023**

(54) **ADIRONDACK CHAIR**

- (71) Applicant: **NINGBO GREENTIME CO., LTD.**,
Zhejiang (CN)
- (72) Inventor: **Xidong Wu**, Zhejiang (CN)
- (**) Term: **15 Years**
- (21) Appl. No.: **29/838,705**
- (22) Filed: **May 15, 2022**
- (51) **LOC (14) Cl.** **06-01**
- (52) **U.S. Cl.**
USPC **D6/370**
- (58) **Field of Classification Search**
USPC D6/368, 369, 370, 374, 375, 376, 379,
D6/380
CPC Y10S 297/02; Y10S 297/01; A47C 1/124;
A47C 3/00; A47C 3/04; A47C 4/28;
A47C 4/30; A47C 4/32; A47C 4/34;
A47C 4/283; A47C 4/286; A47C 5/02;
A47C 5/04; A47C 5/06; A47C 5/12;
A47C 5/14; A47C 5/125; A47C 7/185;
A47C 4/022; A47C 4/03; A47C 7/16
See application file for complete search history.

(56) **References Cited**

U.S. PATENT DOCUMENTS

D78,926 S *	7/1929	Gottlob	D6/370
D84,585 S *	7/1931	Ledder et al.	D6/370
D109,239 S *	4/1938	Wolpin	D6/370
2,490,884 A *	12/1949	Rau	A47C 4/027
				297/440.13
2,600,626 A *	6/1952	Ellingson	A47C 4/14
				297/31
4,707,023 A *	11/1987	Hickey	A47C 4/08
				297/39
D295,927 S *	5/1988	Hickey	D6/370
D305,081 S *	12/1989	Grosfillex	D6/370
5,120,071 A *	6/1992	Thibault	A47C 7/006
				D6/370
D413,736 S *	9/1999	Jackson	D6/367
D609,487 S *	2/2010	Kumazawa	D6/373
D752,354 S	3/2016	Fairbanks		

OTHER PUBLICATIONS

“Outer Banks Deluxe Oversized Poly Lumber Folding Adirondack Chair . . .” Apr. 25, 2018, amazon.com, site visited Jul. 27, 2022 <https://www.amazon.com/ECCB-Outdoor-Oversized-Adirondack-Integrated/dp/B079MH5RQK/ref=cm_cr_arp_d_product_top?ie=UTF8&th=1> (Year: 2018).*

“Folding Adirondack Chair Mdeam Lawn” Nov. 11, 2021, amazon.com, site visited Jul. 27, 2022 <https://www.amazon.com/Folding-Adirondack-Mdeam-Resistant-Ottoman%EF%BC%88Black%EF%BC%89/dp/B09BTH674K/ref=cm_cr_arp_d_product_top?ie=UTF8> (Year: 2021).*

* cited by examiner

Primary Examiner — Kevin K Rudzinski
Assistant Examiner — Paul D Bohannon
 (74) *Attorney, Agent, or Firm* — Che-Yang Chen; Law Office of Michael Chen

(57) **CLAIM**

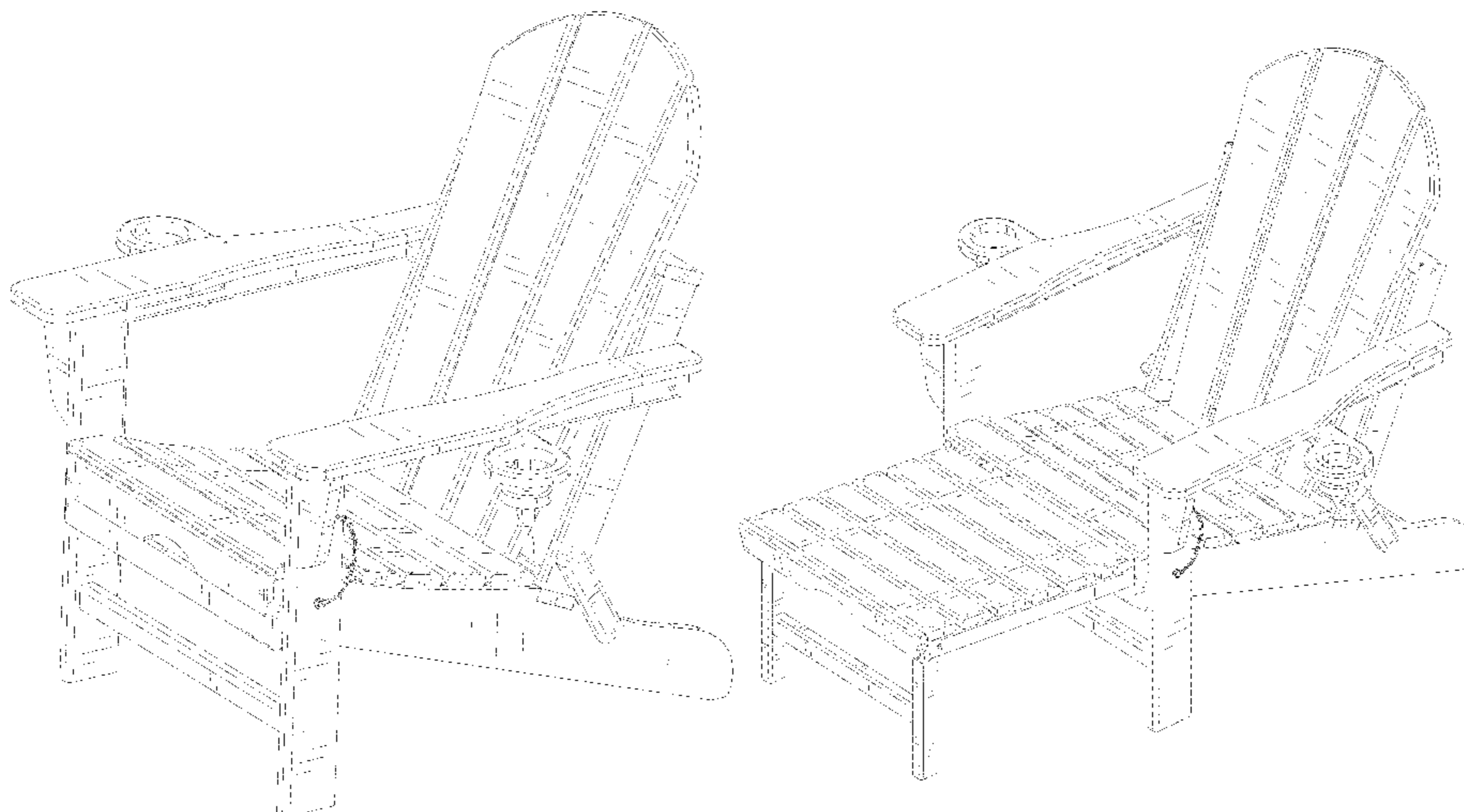
The ornamental design for an adirondack chair, as shown and described.

DESCRIPTION

FIG. 1 is a perspective view of the adirondack chair showing my new design;
 FIG. 2 is a perspective view thereof from another angle;
 FIG. 3 is a front elevational view thereof;
 FIG. 4 is a rear elevational view thereof;
 FIG. 5 is a left side elevational view thereof;
 FIG. 6 is a right side elevational view thereof;
 FIG. 7 is a top plan view thereof;
 FIG. 8 is a bottom plan view thereof; and,
 FIG. 9 is a perspective view thereof when the adirondack chair is extended.

The broken lines shown in the drawings represent portions of the adirondack chair that form no part of the claimed design.

1 Claim, 9 Drawing Sheets



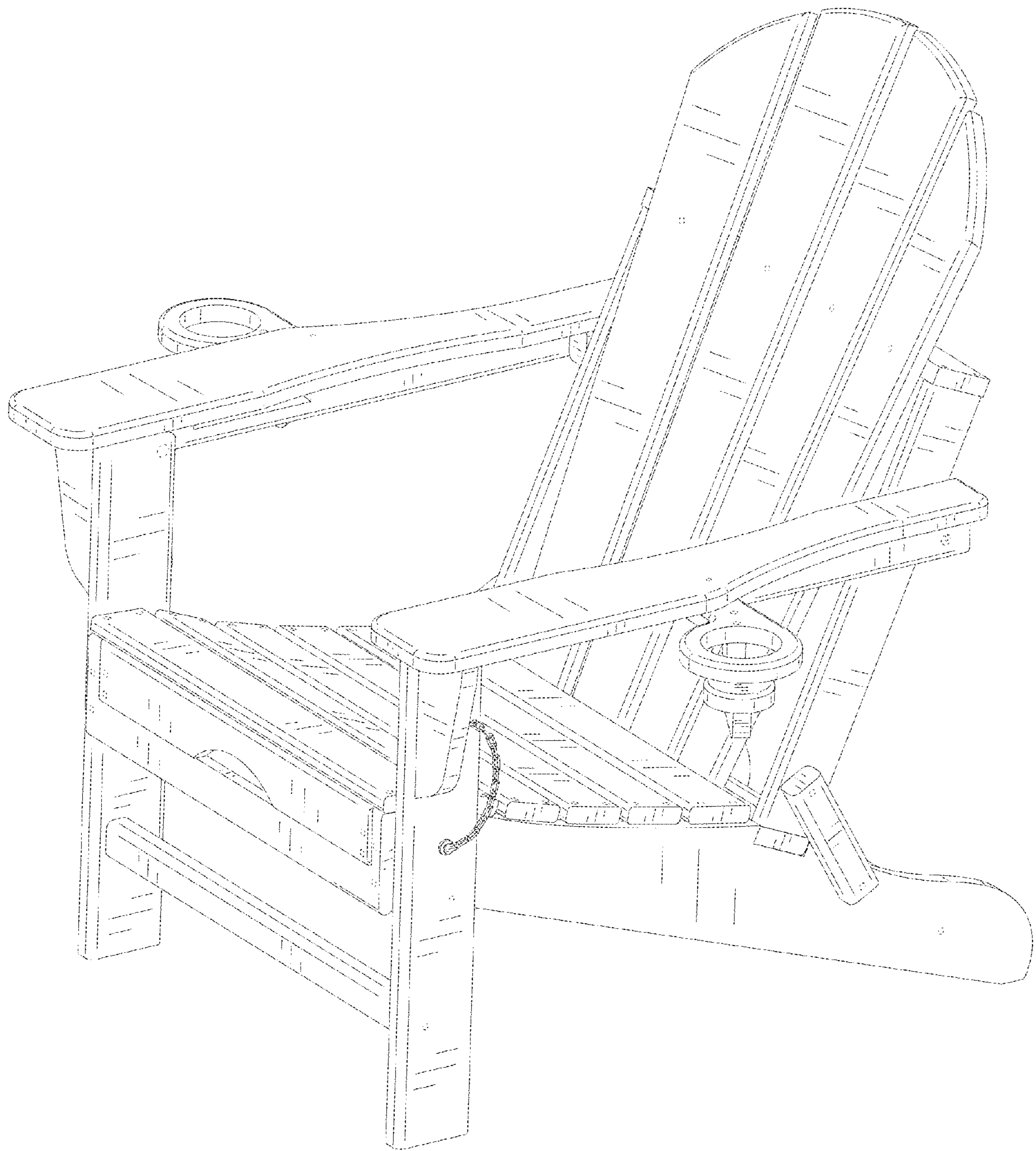


FIG. 1

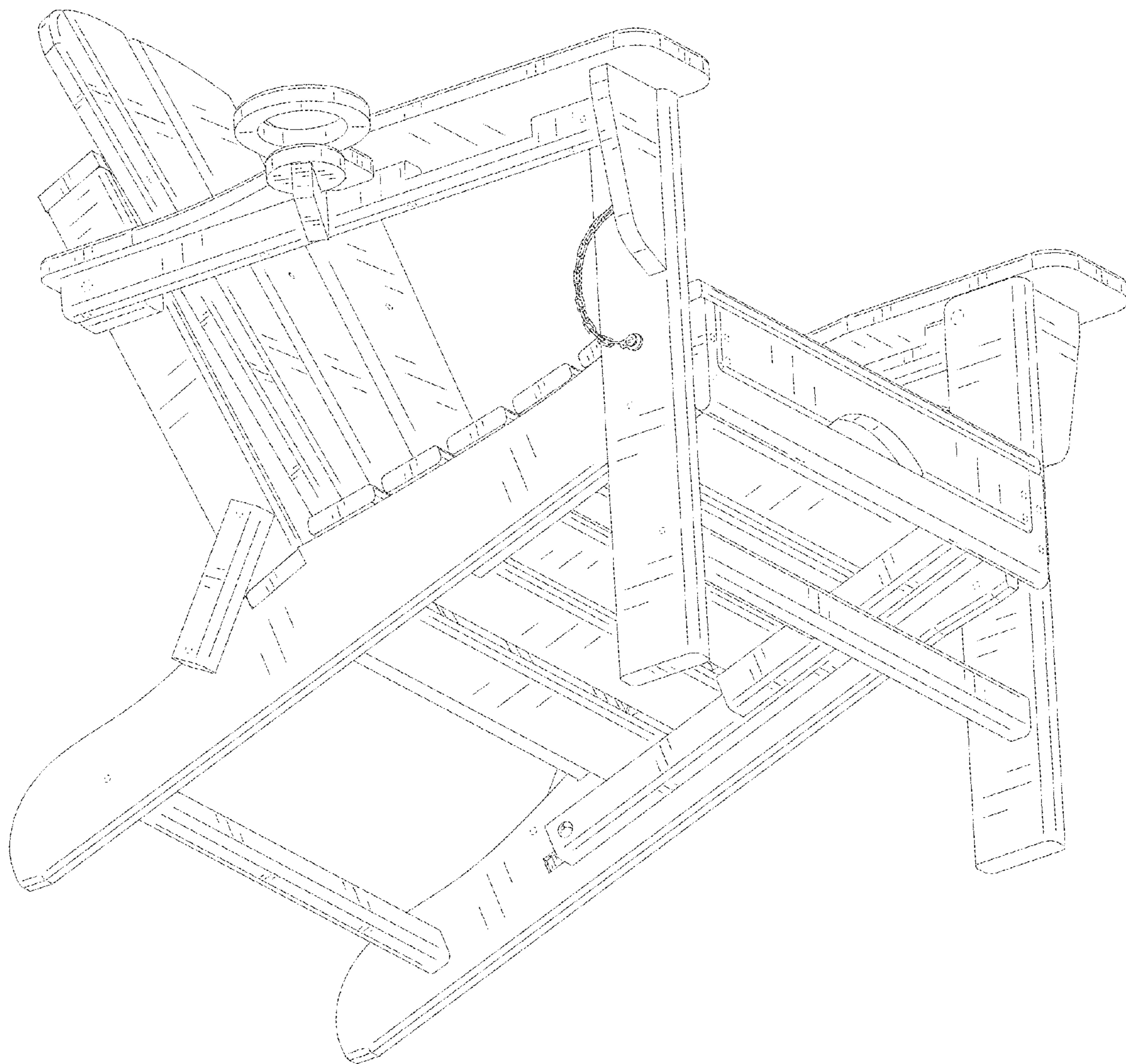


FIG. 2

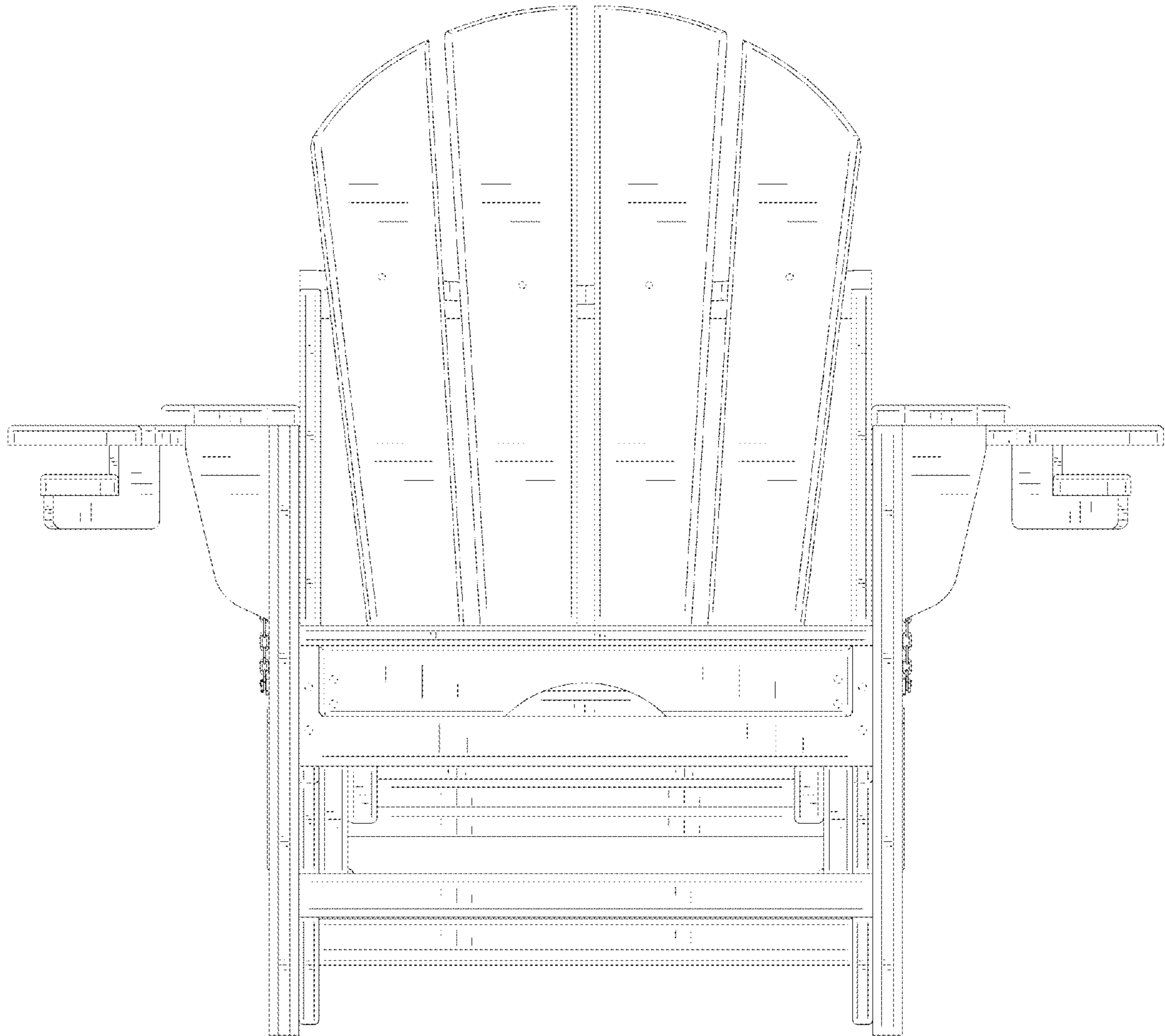


FIG. 3

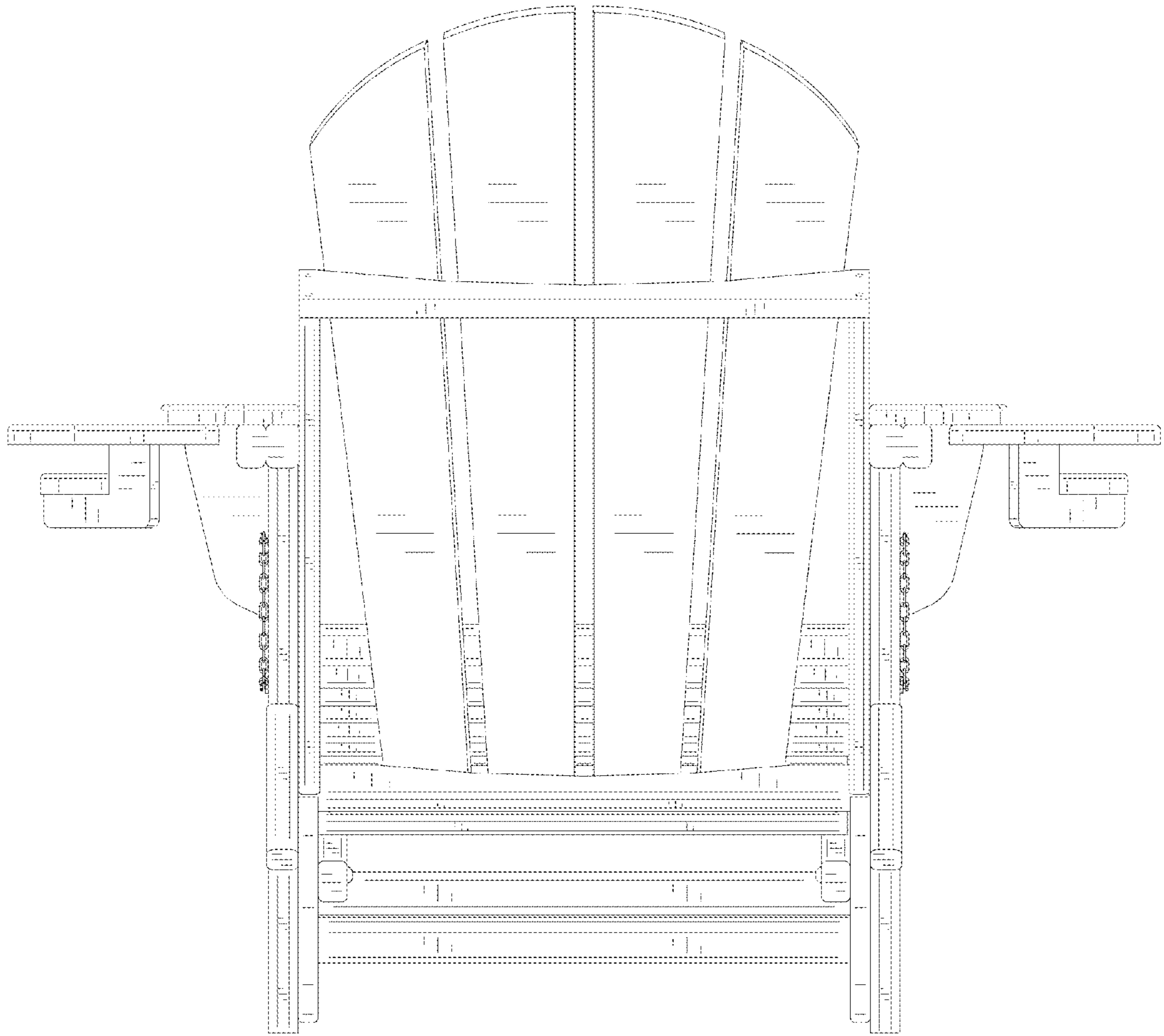


FIG. 4

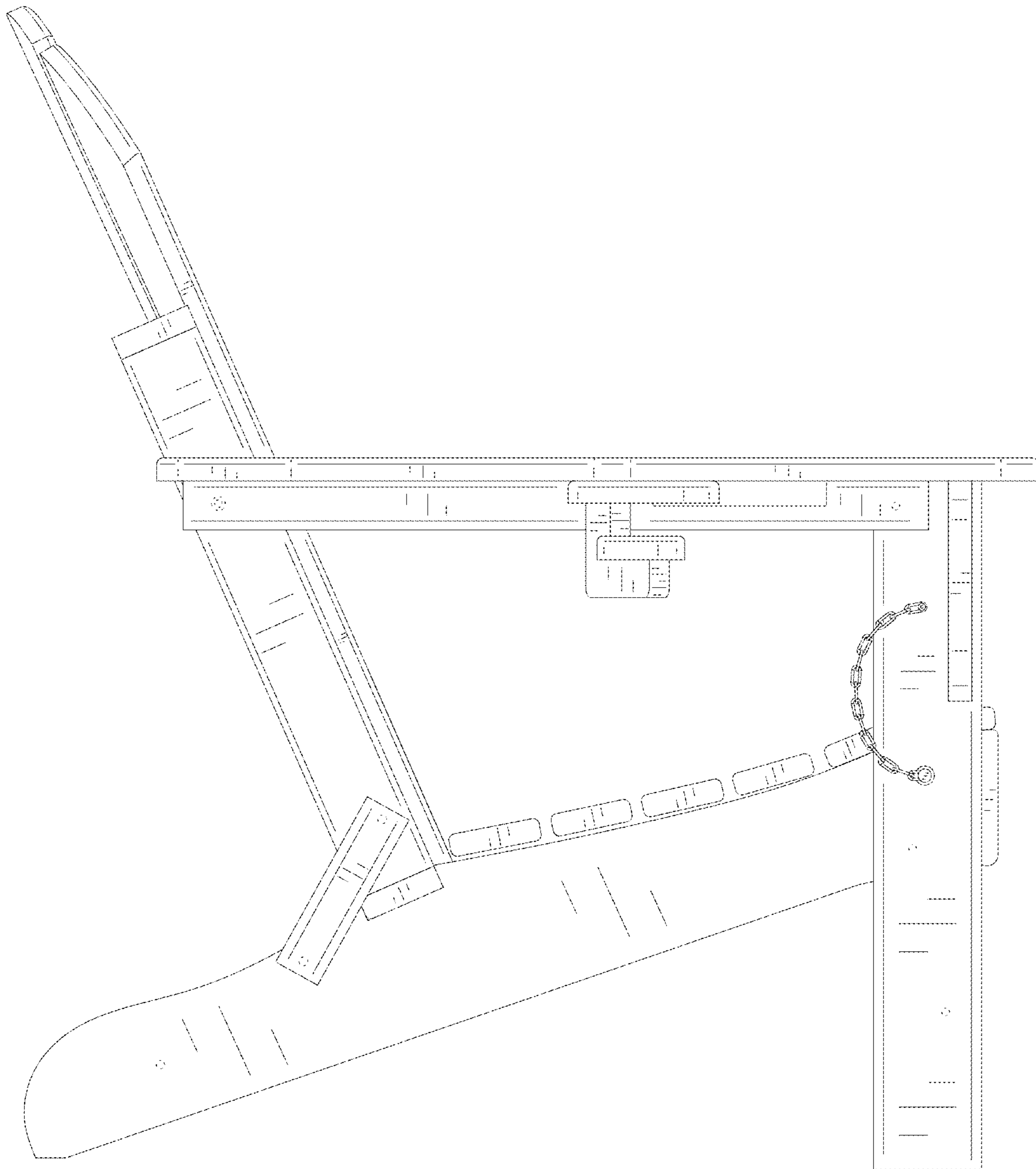


FIG. 5

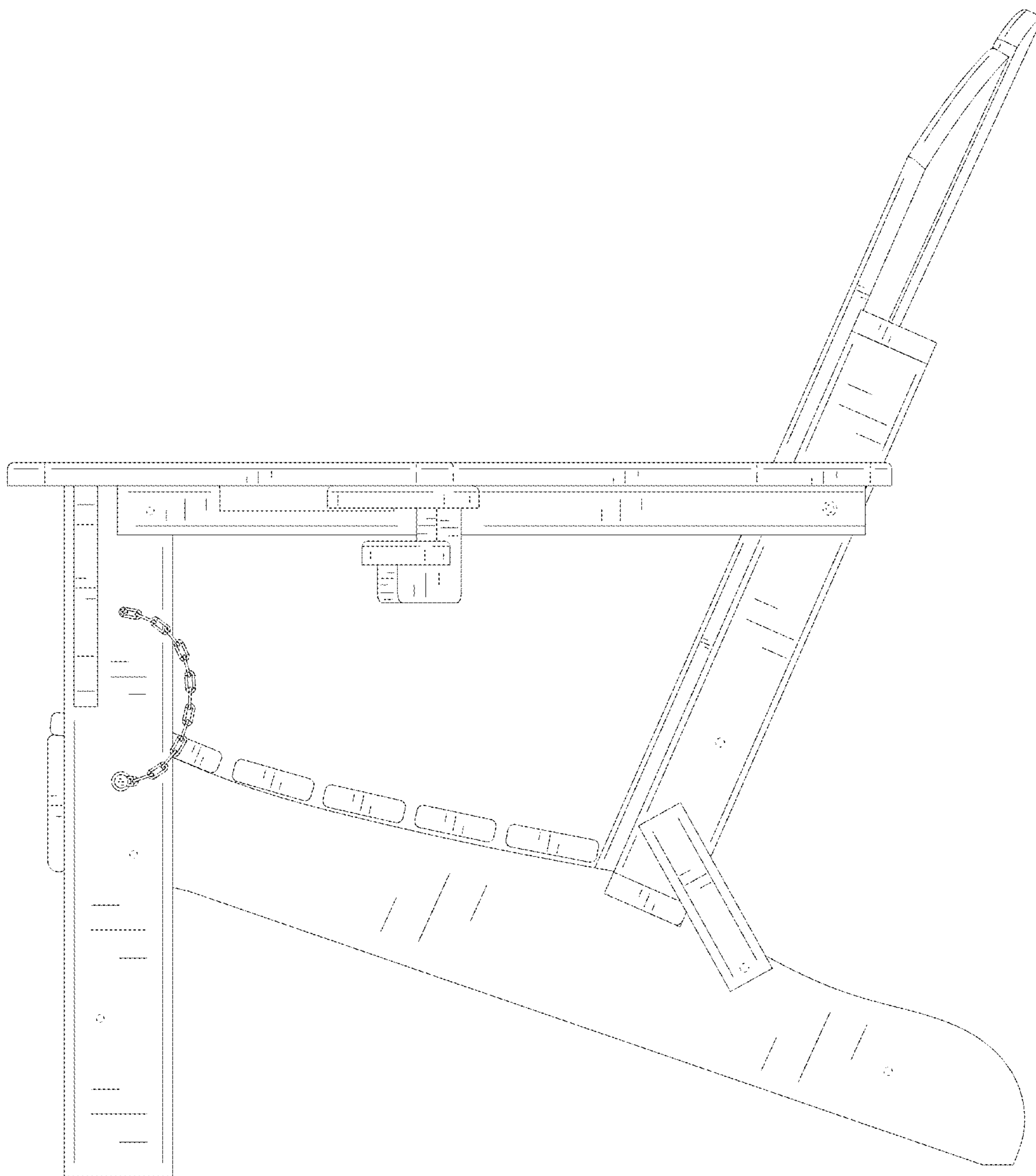


FIG. 6

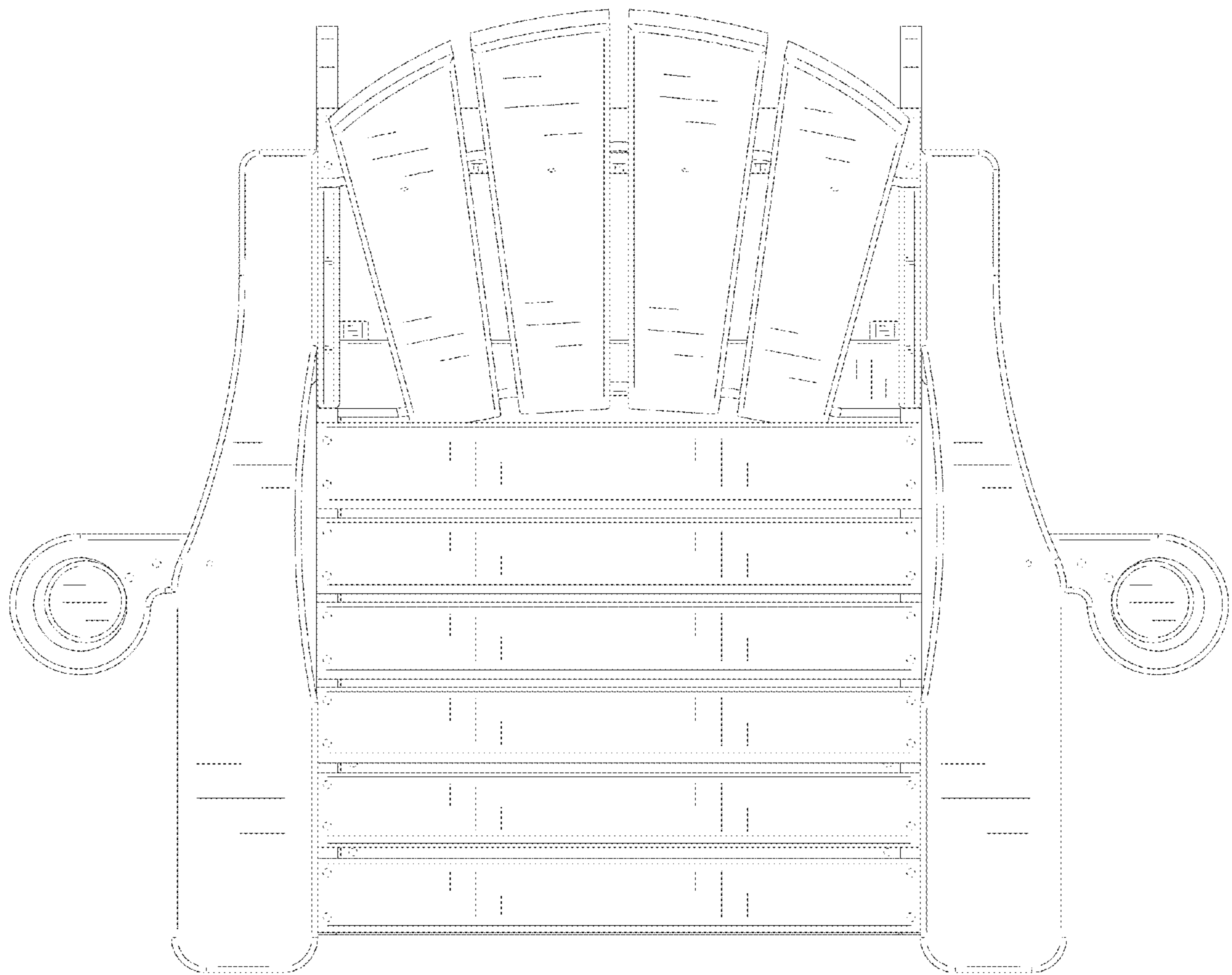


FIG. 7

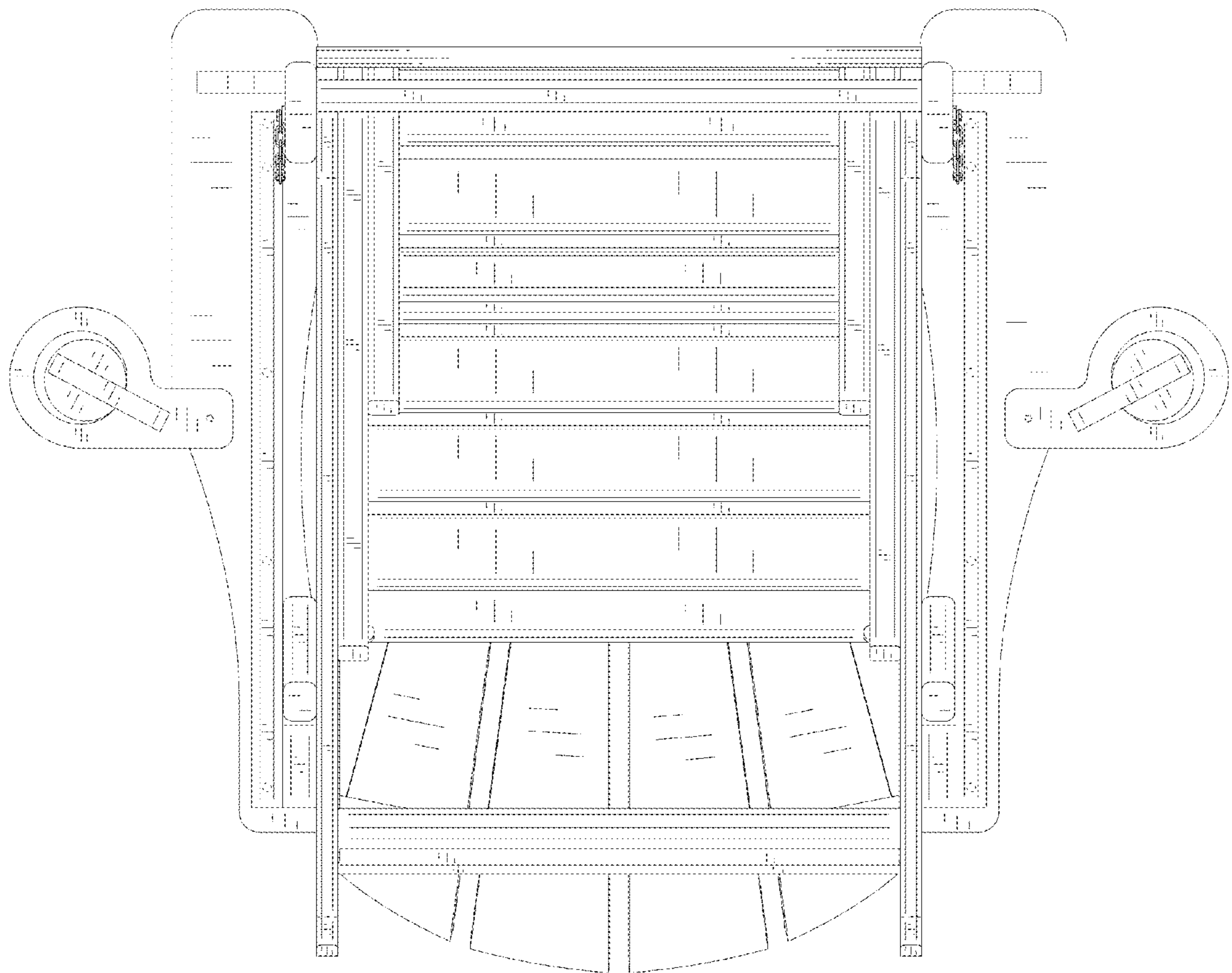


FIG. 8



FIG. 9