



US00D981743S

(12) **United States Design Patent** (10) **Patent No.:** **US D981,743 S**  
**Wu** (45) **Date of Patent:** **\*\* Mar. 28, 2023**

(54) **GAMING CHAIR**  
(71) Applicant: **GENOVA INC**, Diamond Bar, CA (US)  
(72) Inventor: **Peng Wu**, Shanghai (CN)  
(73) Assignee: **GENOVA INC**, Diamond Bar, CA (US)

D897,709 S \* 10/2020 Li ..... D6/366  
D923,350 S \* 6/2021 Chen ..... D6/366  
D934,585 S \* 11/2021 Li ..... D6/366  
D934,606 S \* 11/2021 Liao ..... D6/716  
D950,259 S \* 5/2022 Cai ..... D6/366  
D953,052 S 5/2022 Wu  
D957,840 S 7/2022 Cai et al.  
2021/0345786 A1\* 11/2021 Peng ..... A47C 15/004

(\*\*) Term: **15 Years**

**OTHER PUBLICATIONS**

(21) Appl. No.: **29/857,356**  
(22) Filed: **Oct. 21, 2022**  
(51) **LOC (14) Cl.** ..... **06-01**  
(52) **U.S. Cl.**  
USPC ..... **D6/366**  
(58) **Field of Classification Search**  
USPC ..... D6/334-336, 338, 356, 364-367, 375,  
D6/379, 380, 716-716.5; D21/521, 695  
CPC ..... A47C 7/004; A47C 7/006; A47C 7/18;  
A47C 7/24; A47C 7/38; A47C 7/40;  
B60N 2/02; B60N 2/20; B60N 2/22  
See application file for complete search history.

Pro Chair Mount Ergonomic Keyboard, available in desertcart.com, site visited on Nov. 26, 2022, URL:https://www.desertcart.us/products/15546798-e-link-pro-chair-mount-ergonomic-keyboard-laptop-tray-system-plus-chair-mount-armrest-mouse-tray-ye (Year: 2022).\*

\* cited by examiner

*Primary Examiner* — Mary Ann Calabrese  
*Assistant Examiner* — Mark David Wolfley  
(74) *Attorney, Agent, or Firm* — Bayramoglu Law Offices LLC

(56) **References Cited**

(57) **CLAIM**

The ornamental design for a gaming chair, as shown and described.

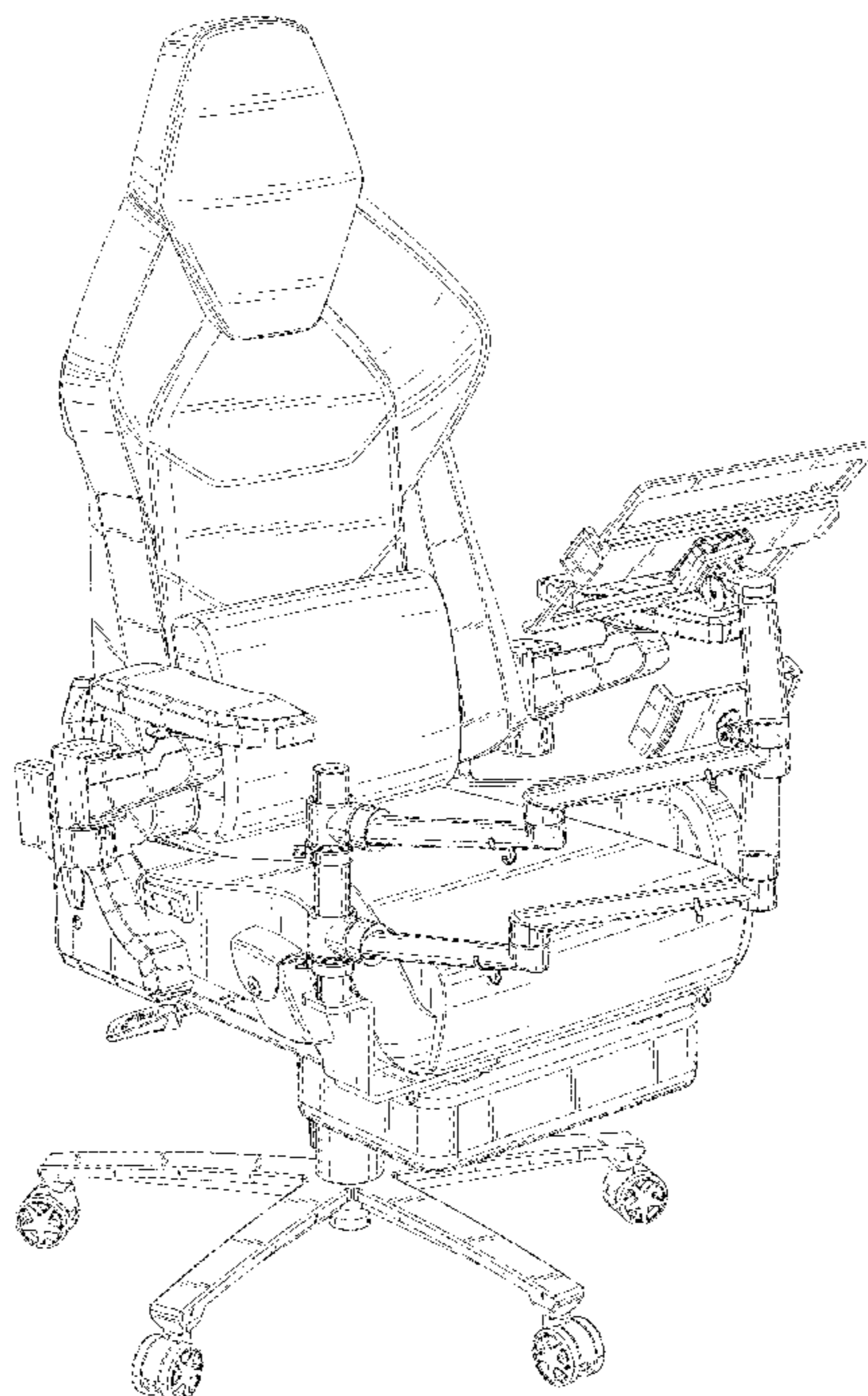
**U.S. PATENT DOCUMENTS**

**DESCRIPTION**

D612,641 S \* 3/2010 Smit ..... D6/366  
D827,320 S \* 9/2018 Xue ..... D6/366  
D847,526 S \* 5/2019 Wang ..... D6/366  
D851,436 S \* 6/2019 Shen ..... D6/366  
D851,974 S \* 6/2019 Shen ..... D6/366  
D852,563 S \* 7/2019 Shen ..... D6/366  
D856,696 S \* 8/2019 Shen ..... D6/366  
D856,698 S 8/2019 Shen  
D859,865 S \* 9/2019 Berlinches ..... D6/366  
D879,524 S \* 3/2020 Huang ..... D6/366  
D885,779 S 6/2020 Li  
D893,910 S \* 8/2020 Ko ..... D6/366

FIG. 1 is a perspective view of a gaming chair showing my new design;  
FIG. 2 is a front view thereof;  
FIG. 3 is a rear view thereof;  
FIG. 4 is a left side view thereof;  
FIG. 5 is a right side view thereof;  
FIG. 6 is a top view thereof; and,  
FIG. 7 is a bottom view thereof.

**1 Claim, 7 Drawing Sheets**



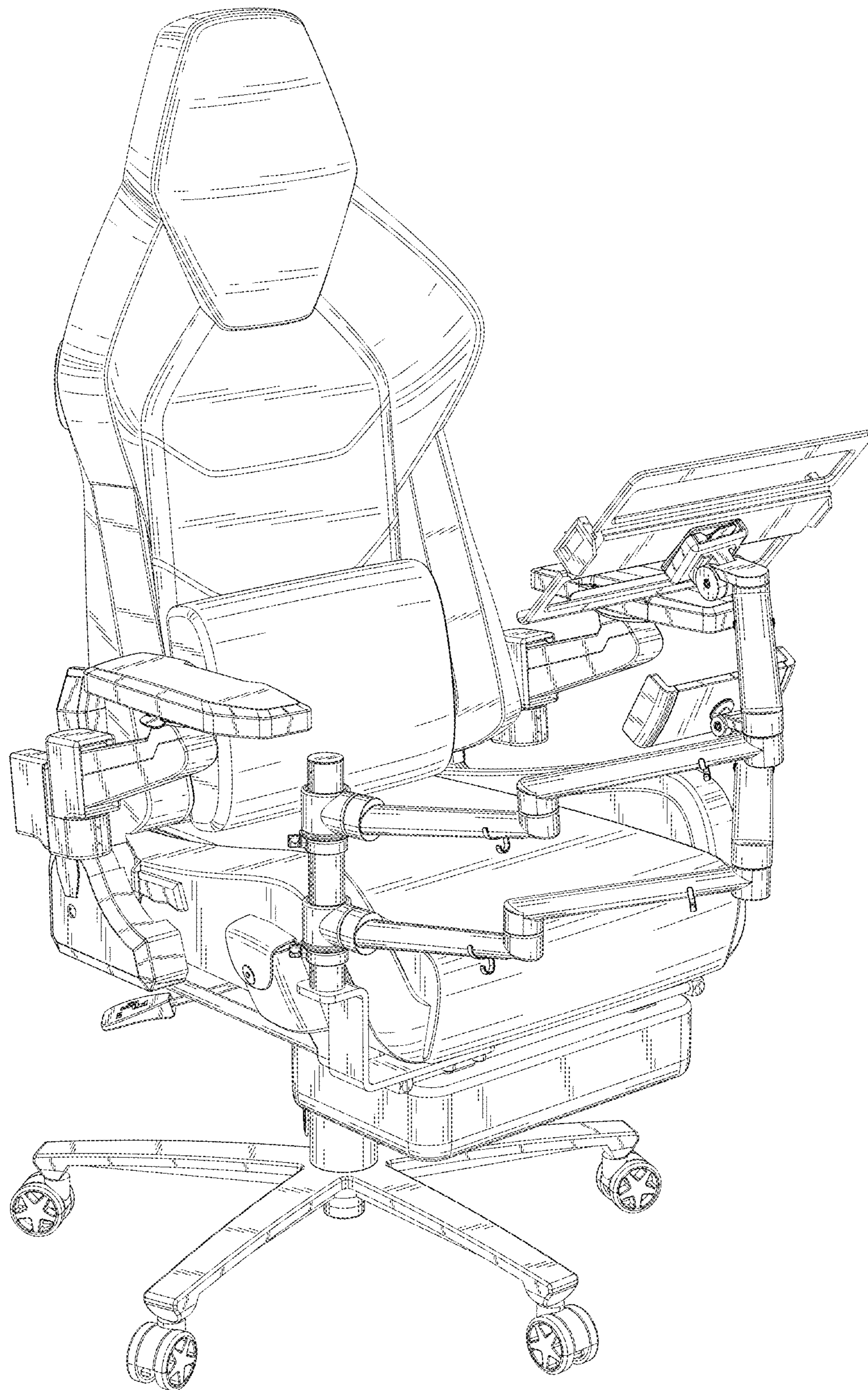


FIG. 1



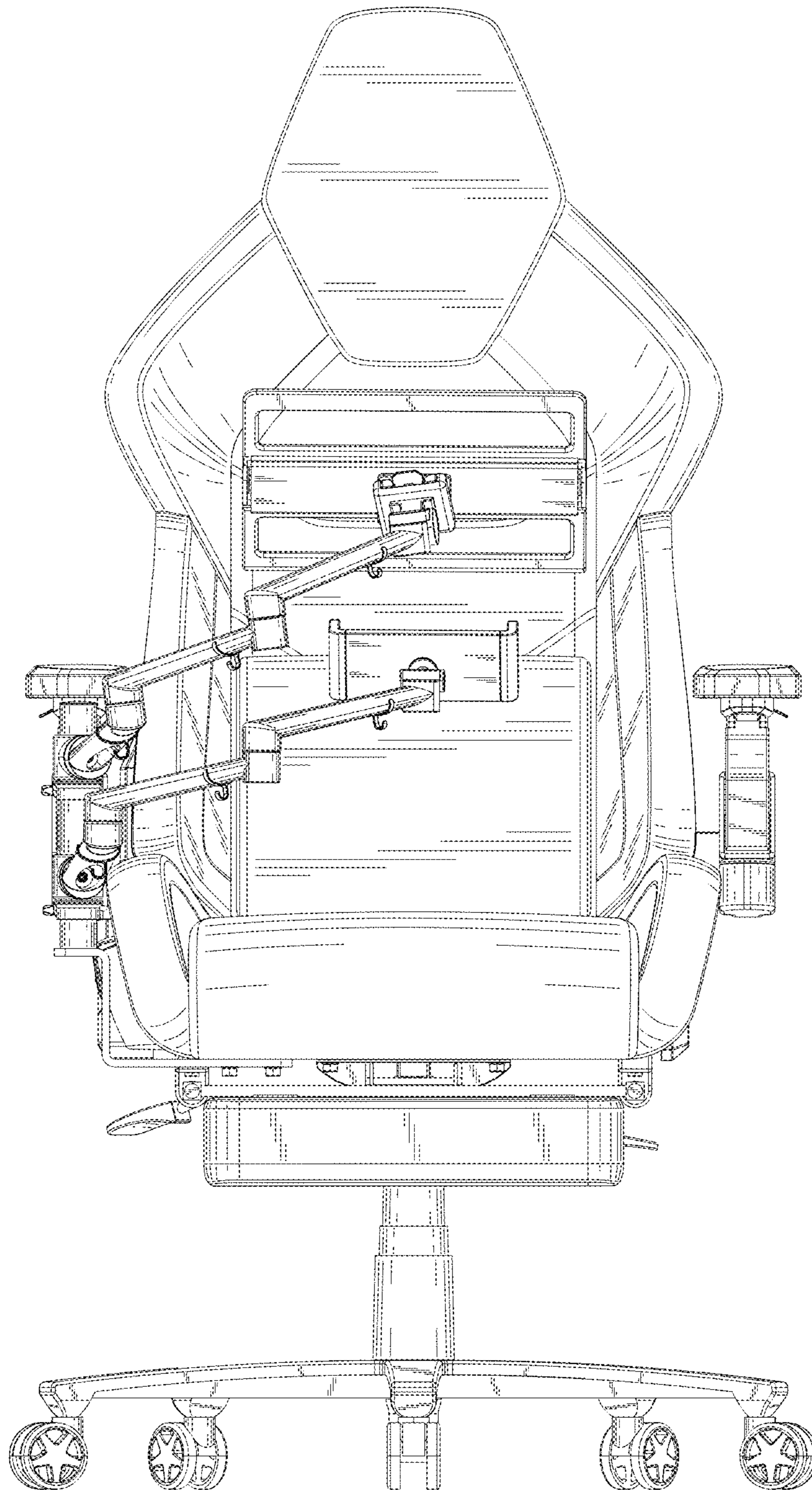


FIG. 2

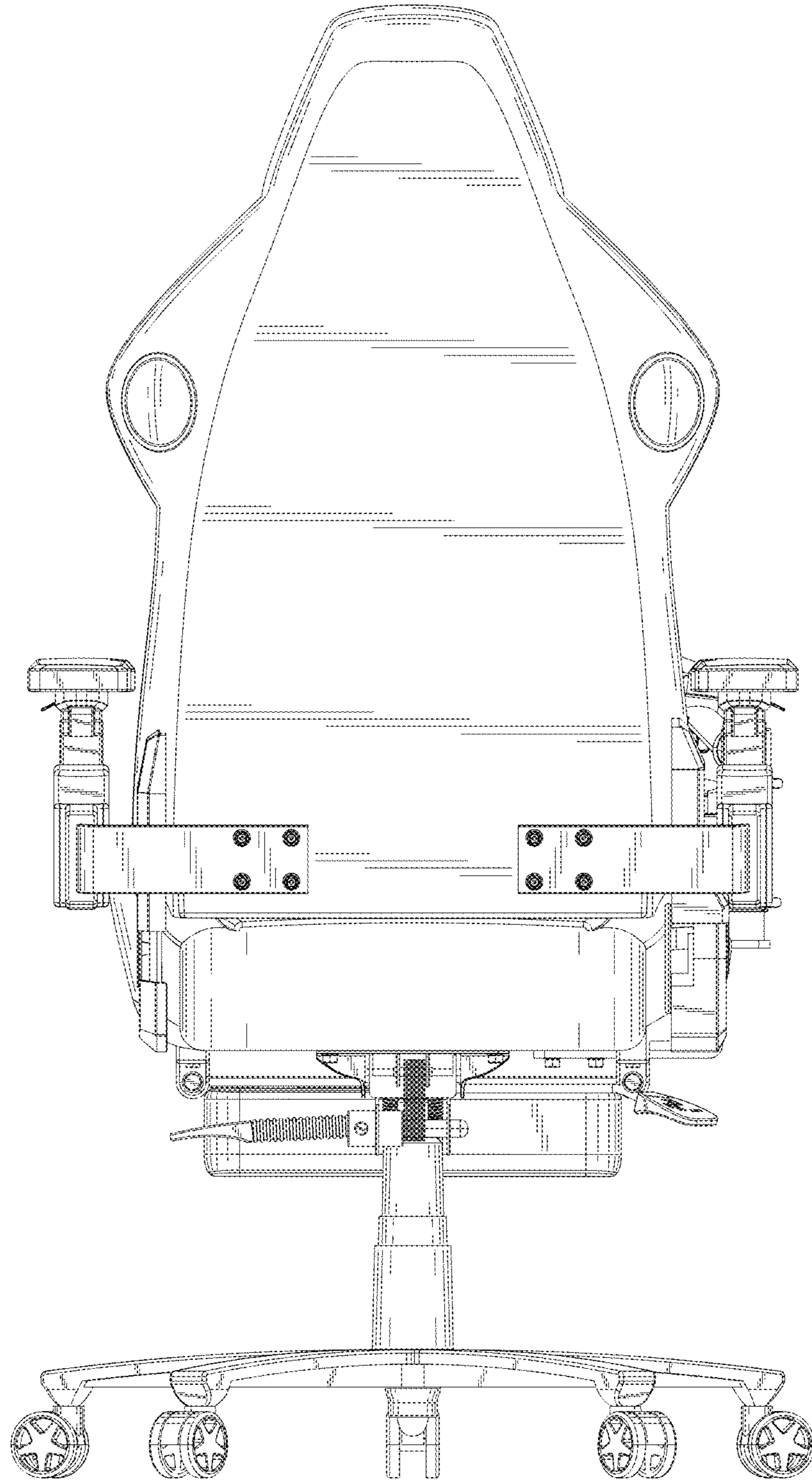


FIG. 3

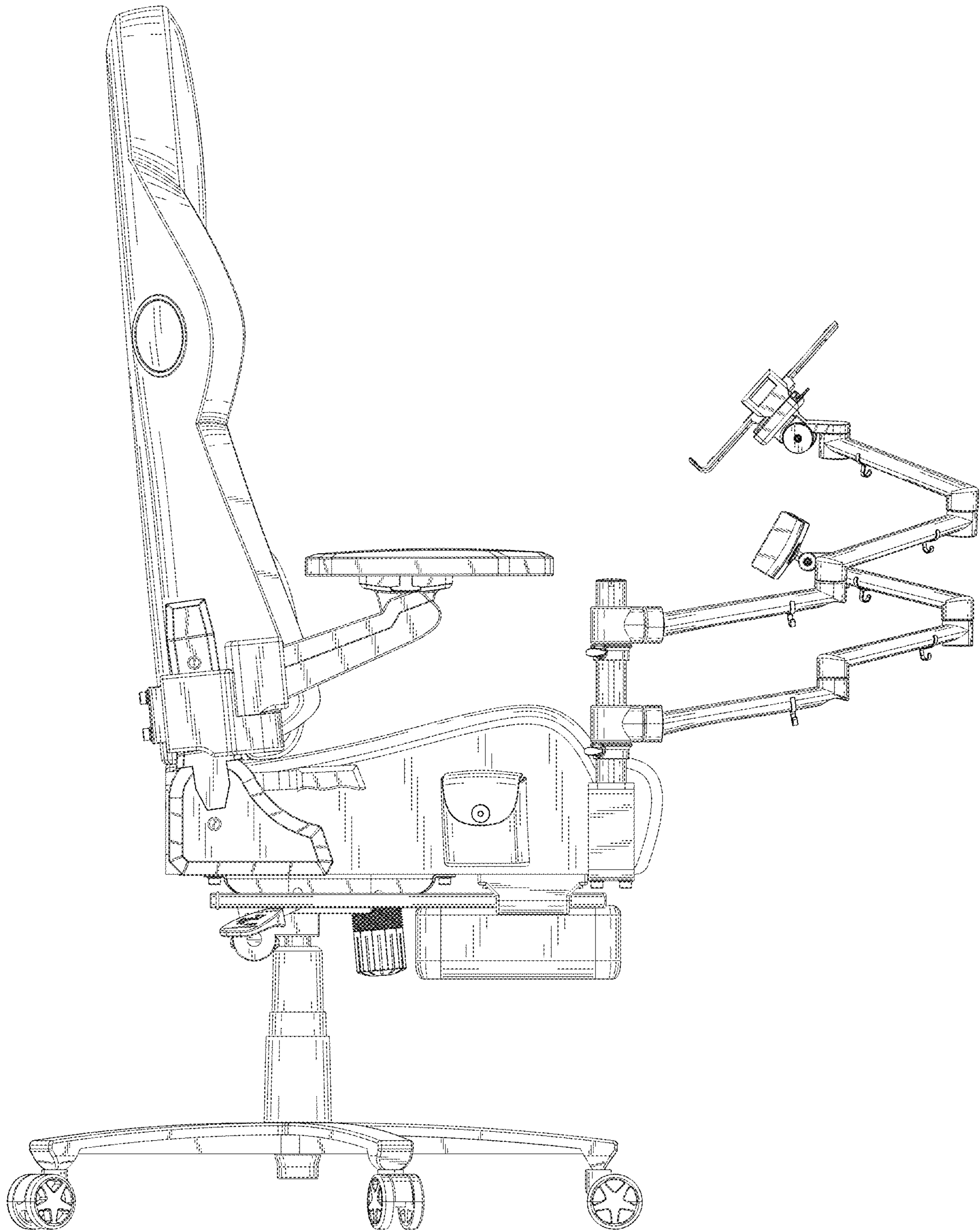


FIG. 4



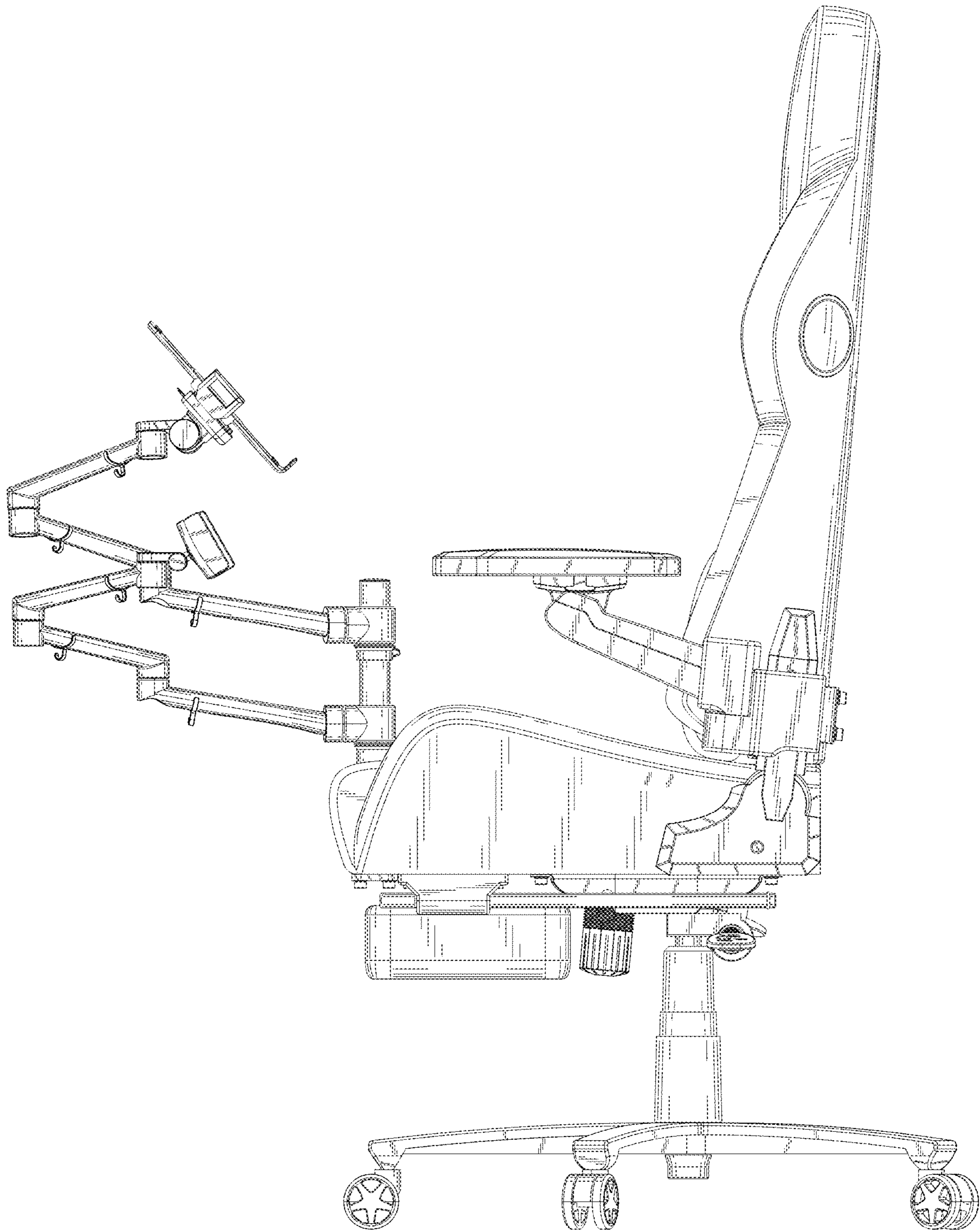


FIG. 5

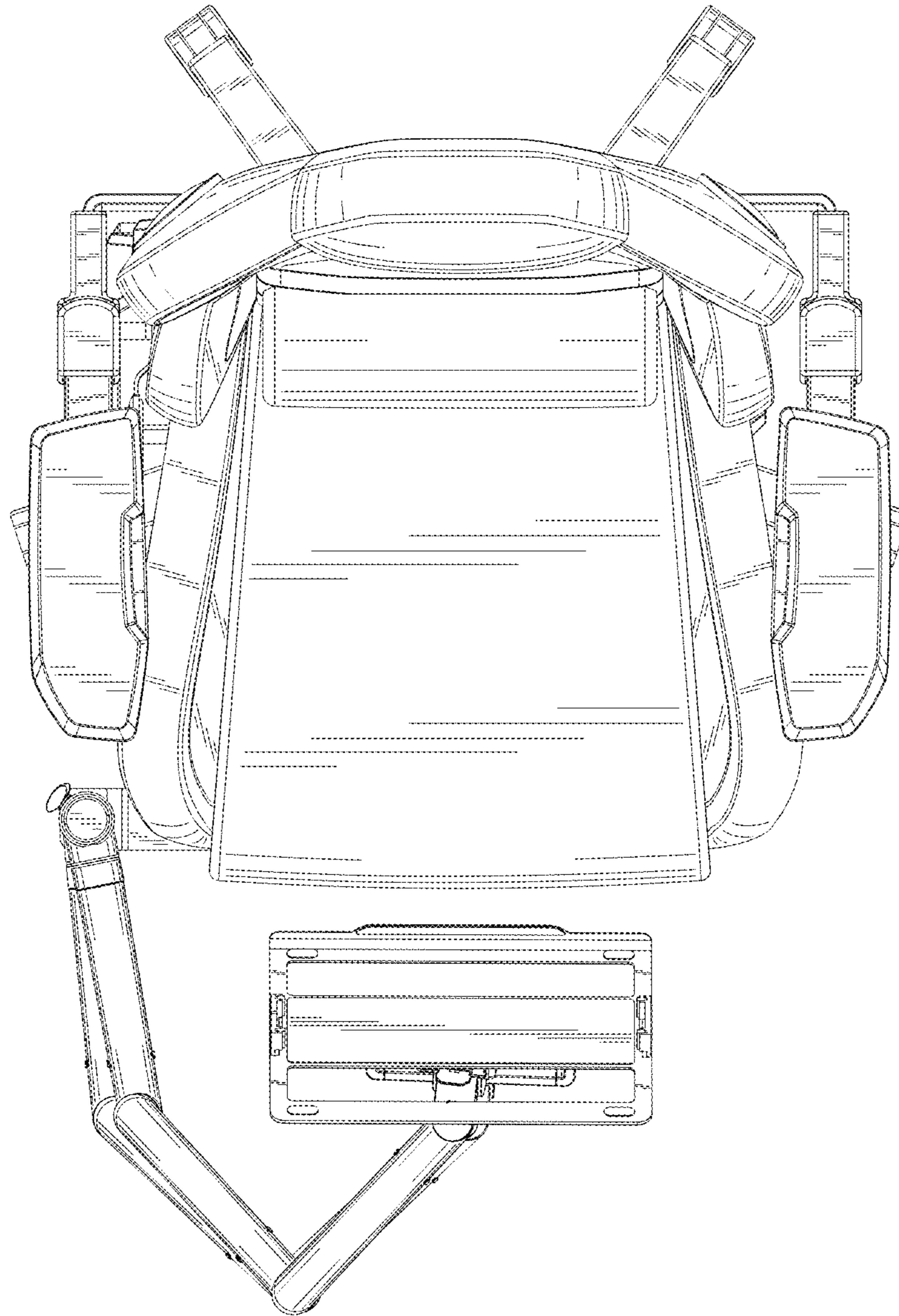


FIG. 6

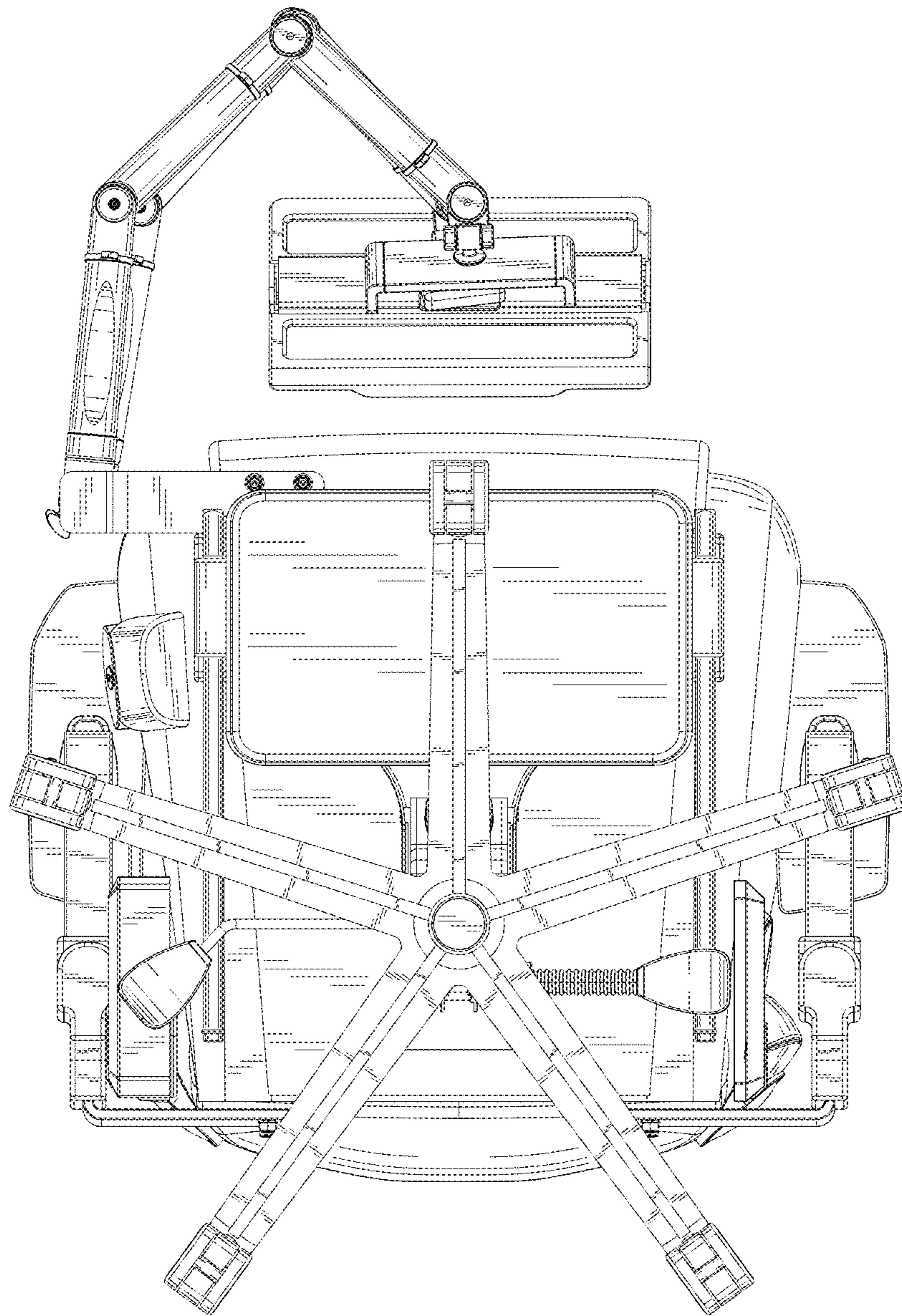


FIG. 7