



US00D981737S

(12) **United States Design Patent**
Kaiser et al.

(10) **Patent No.:** **US D981,737 S**
(45) **Date of Patent:** **** Mar. 28, 2023**

(54) **TABLE MIRROR**

(71) Applicant: **Erik A. Kaiser**, New York, NY (US)

(72) Inventors: **Erik A. Kaiser**, New York, NY (US);
Joshua David Kran, Endwell, NY (US)

(73) Assignee: **Erik A. Kaiser**, New York, NY (US)

(**) Term: **15 Years**

(21) Appl. No.: **29/776,879**

(22) Filed: **Apr. 1, 2021**

(51) **LOC (14) Cl.** **06-07**

(52) **U.S. Cl.**
USPC **D6/310**

(58) **Field of Classification Search**
USPC D6/300–314
CPC .. A47G 1/00; A47G 2001/002; F21V 33/004;
A45D 42/10

See application file for complete search history.

(56) **References Cited**

U.S. PATENT DOCUMENTS

D255,745 S *	7/1980	Pedersen	40/753
D412,935 S *	8/1999	Finnie	D6/300
D615,527 S *	5/2010	Hwang	D14/203.7
D743,704 S	11/2015	Kaiser	
D749,329 S	2/2016	Kaiser	
9,648,217 B2	5/2017	Kaiser	
D812,384 S *	3/2018	Zhu	D6/311
D820,830 S *	6/2018	Lee	D14/341

D826,930 S *	8/2018	Iida	D14/341
D829,007 S *	9/2018	Choi	D6/310
D872,077 S *	1/2020	Raken	D14/341
D880,171 S *	4/2020	Yang	D6/310
D925,238 S *	7/2021	Yang	D6/312
D925,239 S *	7/2021	Cai	D6/312
D934,828 S *	11/2021	Zhao	D14/129
D935,202 S *	11/2021	Yang	D6/310

* cited by examiner

Primary Examiner — Deanna L Pratt

(74) *Attorney, Agent, or Firm* — Steven N. Fox, Esq.

(57) **CLAIM**

The ornamental design for a table mirror, as shown and described.

DESCRIPTION

FIG. 1 is a front perspective view of a table mirror according to the present invention shown in an open position;
 FIG. 2 is a front perspective view of the table mirror shown in a closed position;
 FIG. 3 is a rear perspective view of the table mirror shown in an open position;
 FIG. 4 is a rear perspective view of the table mirror shown in a closed position;
 FIG. 5 is a front view thereof;
 FIG. 6 is a top view thereof;
 FIG. 7 is a bottom view thereof;
 FIG. 8 is a rear view thereof;
 FIG. 9 is a right side view thereof; and,
 FIG. 10 is a left side view thereof.

1 Claim, 7 Drawing Sheets

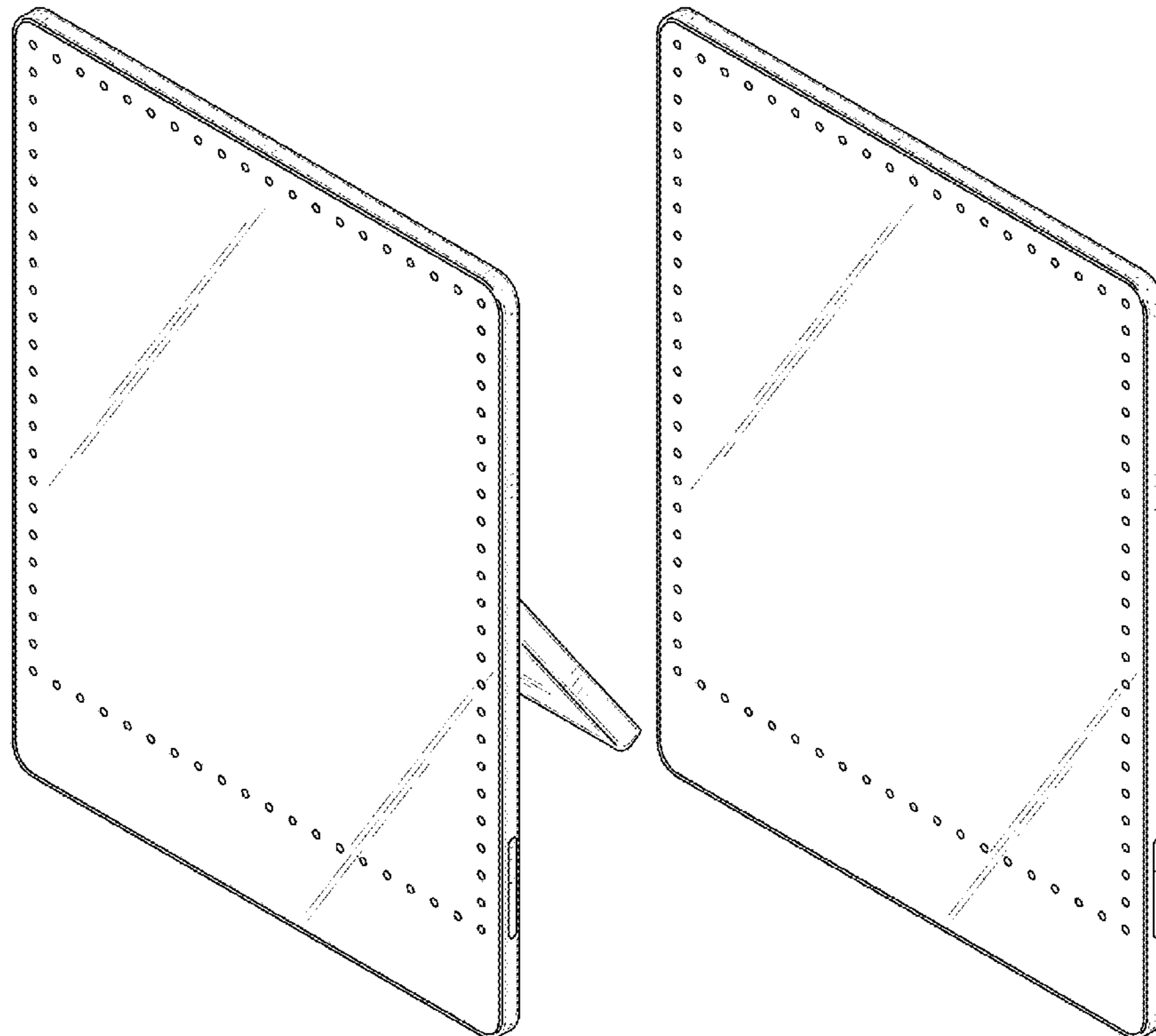
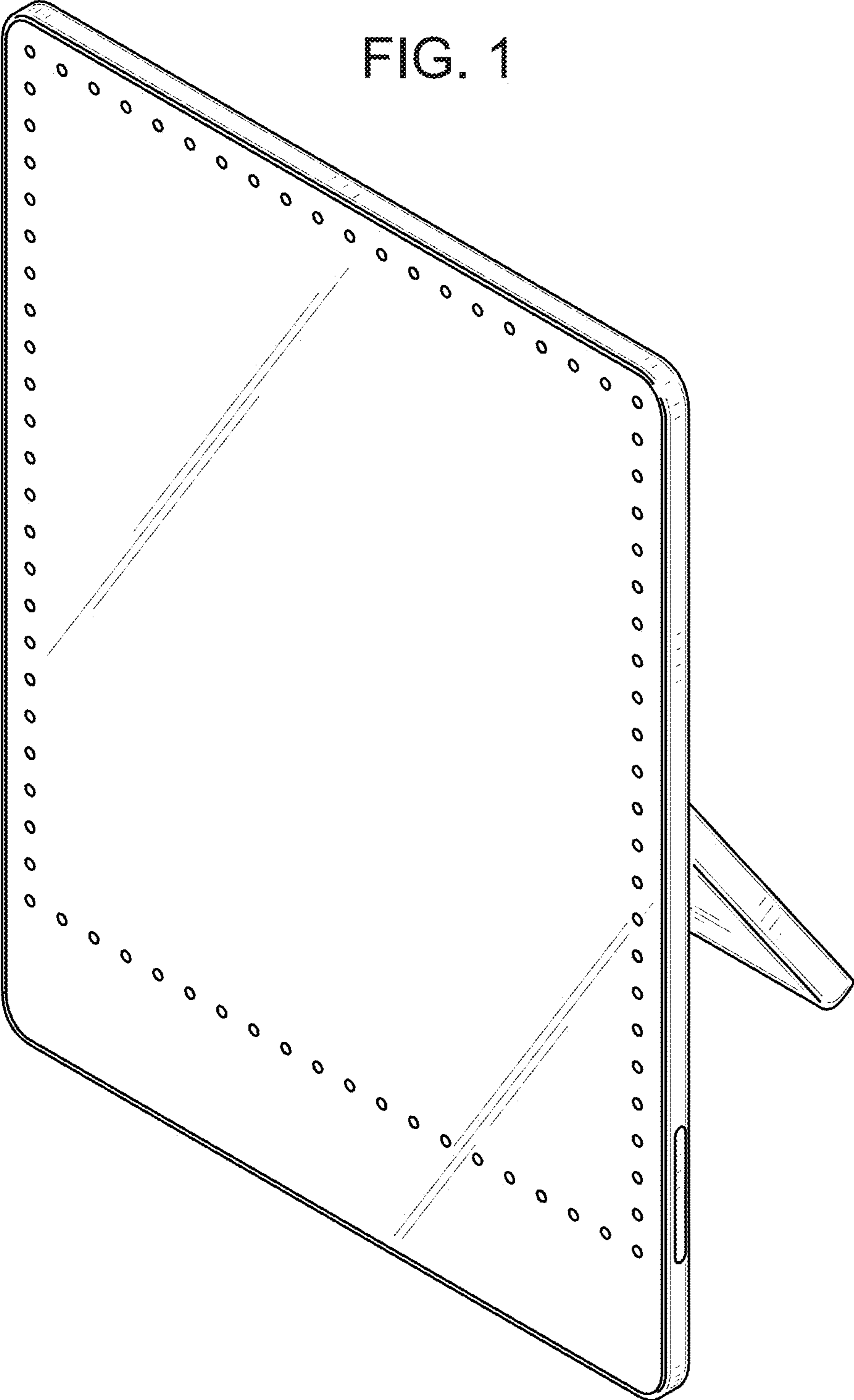


FIG. 1



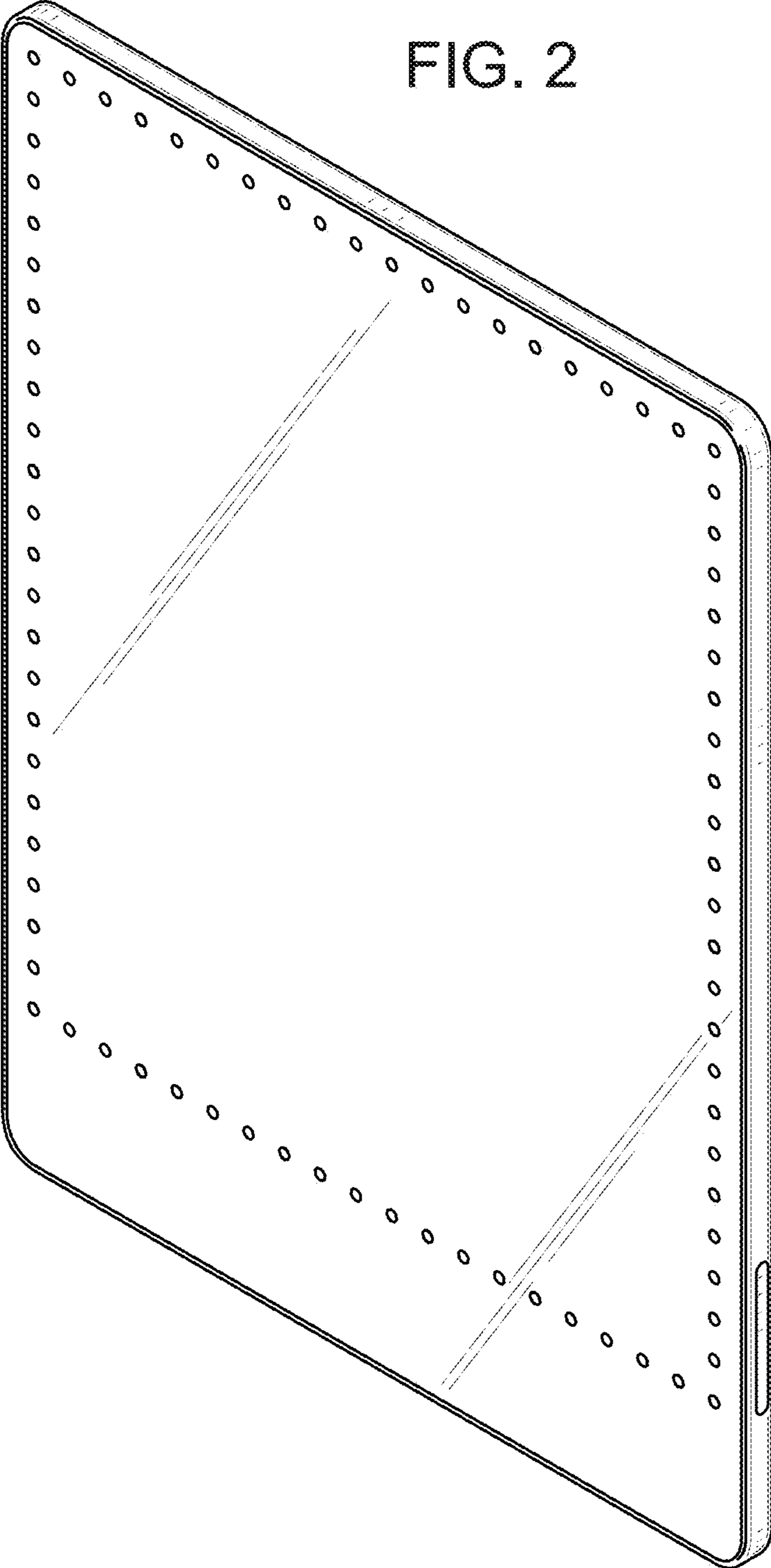


FIG. 2

FIG. 3

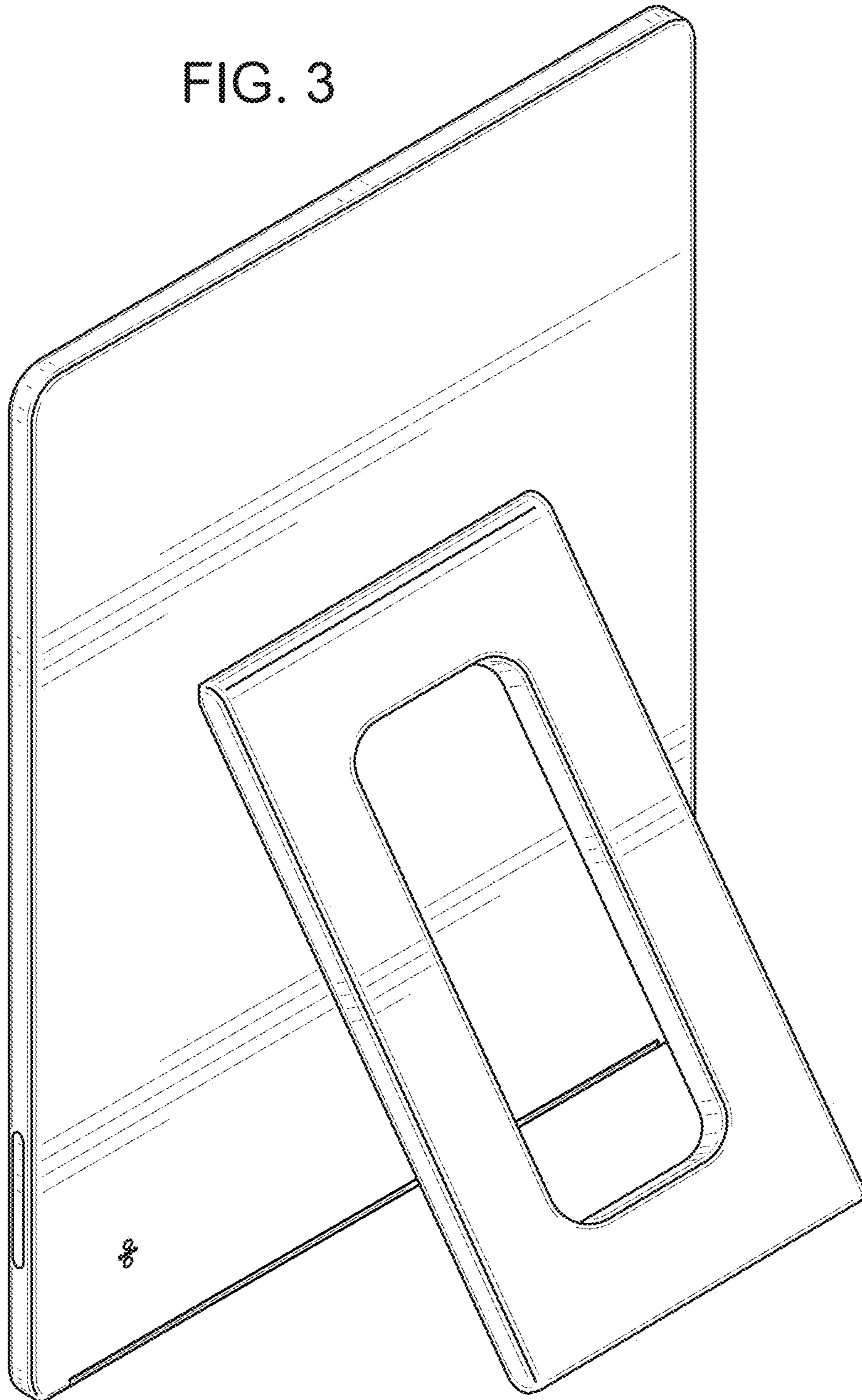


FIG. 4

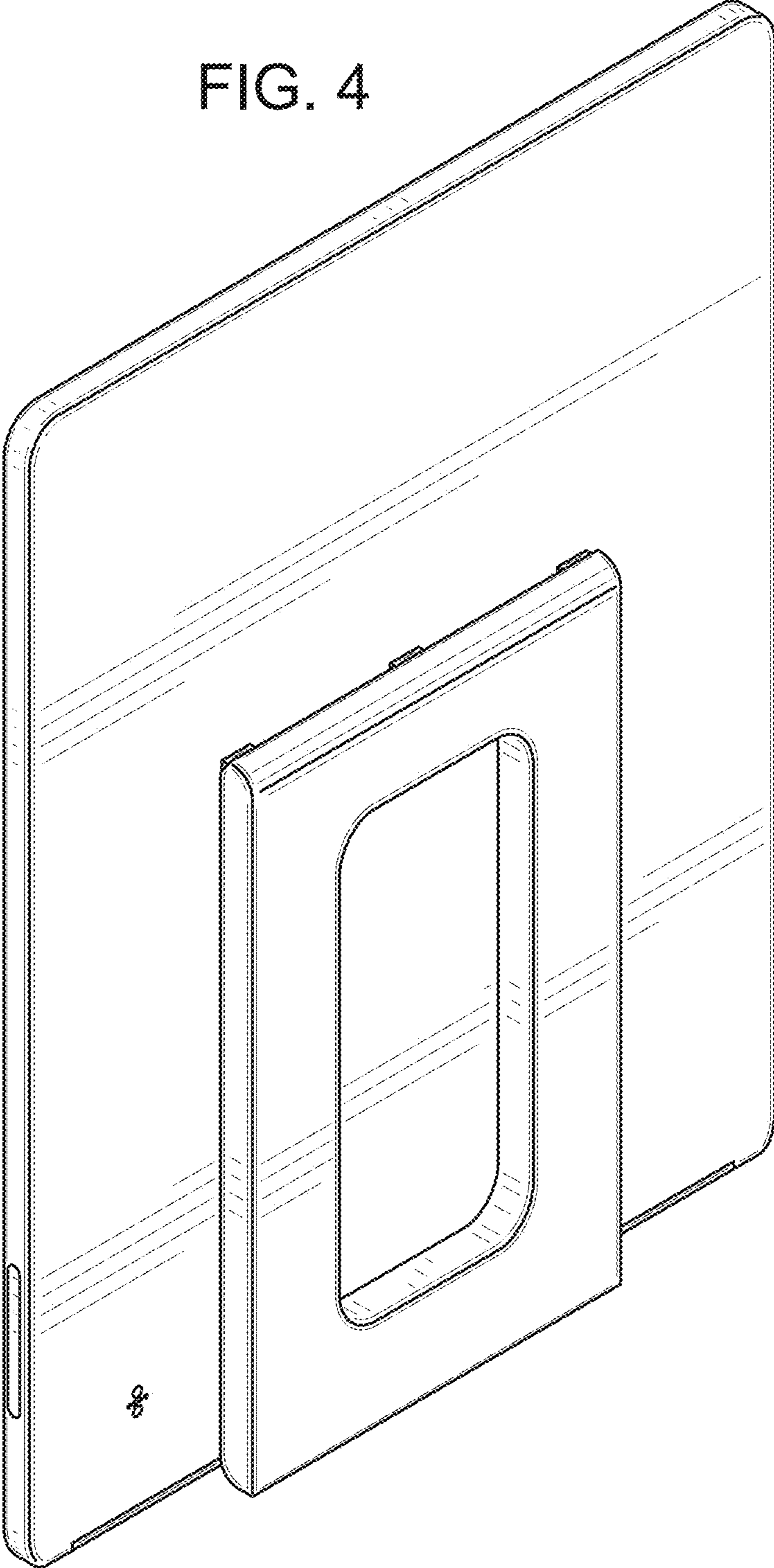


FIG. 5

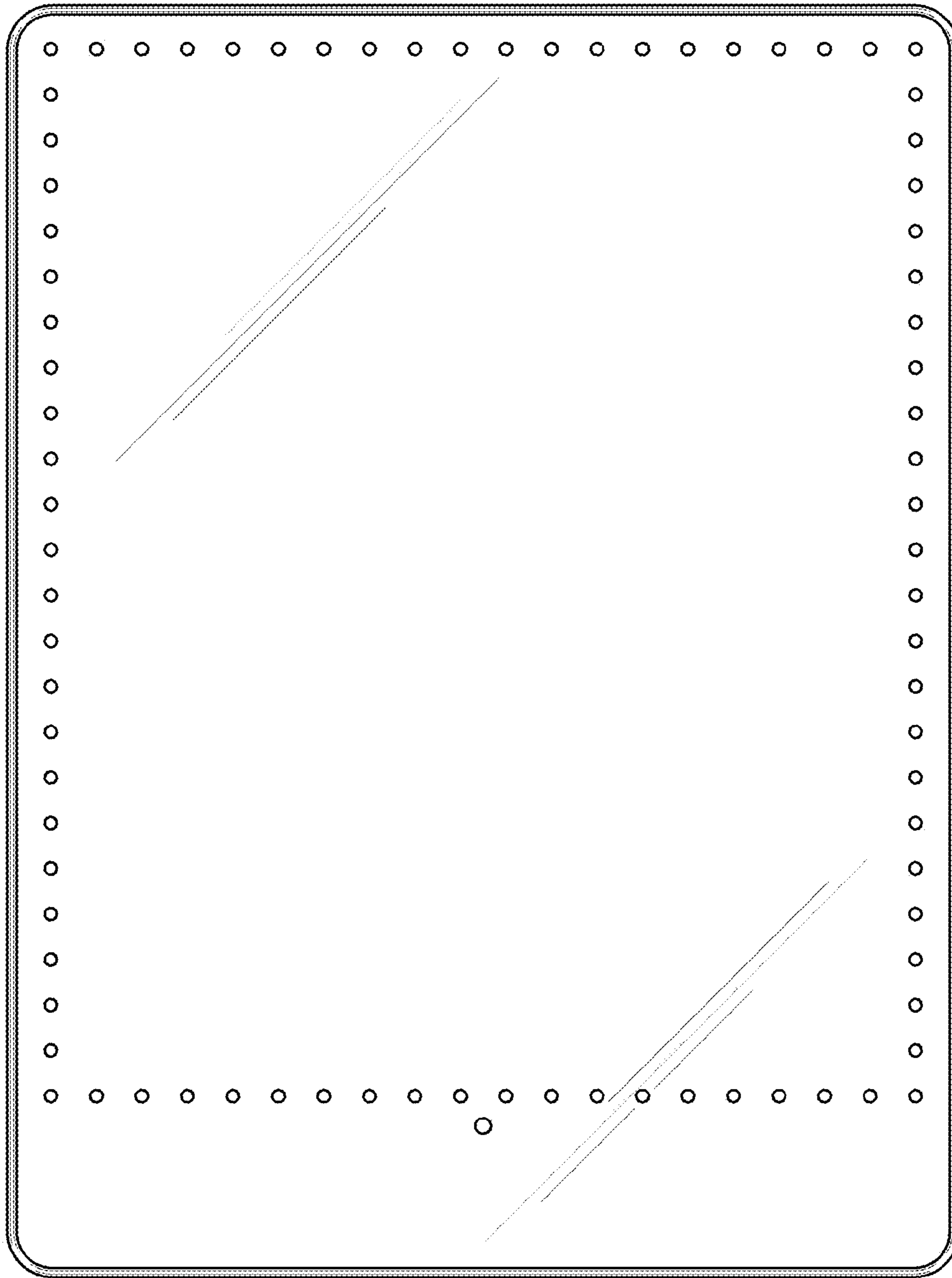


FIG. 6

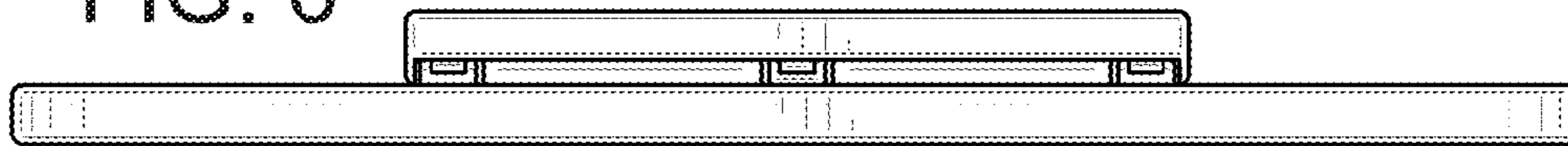


FIG. 7



FIG. 8

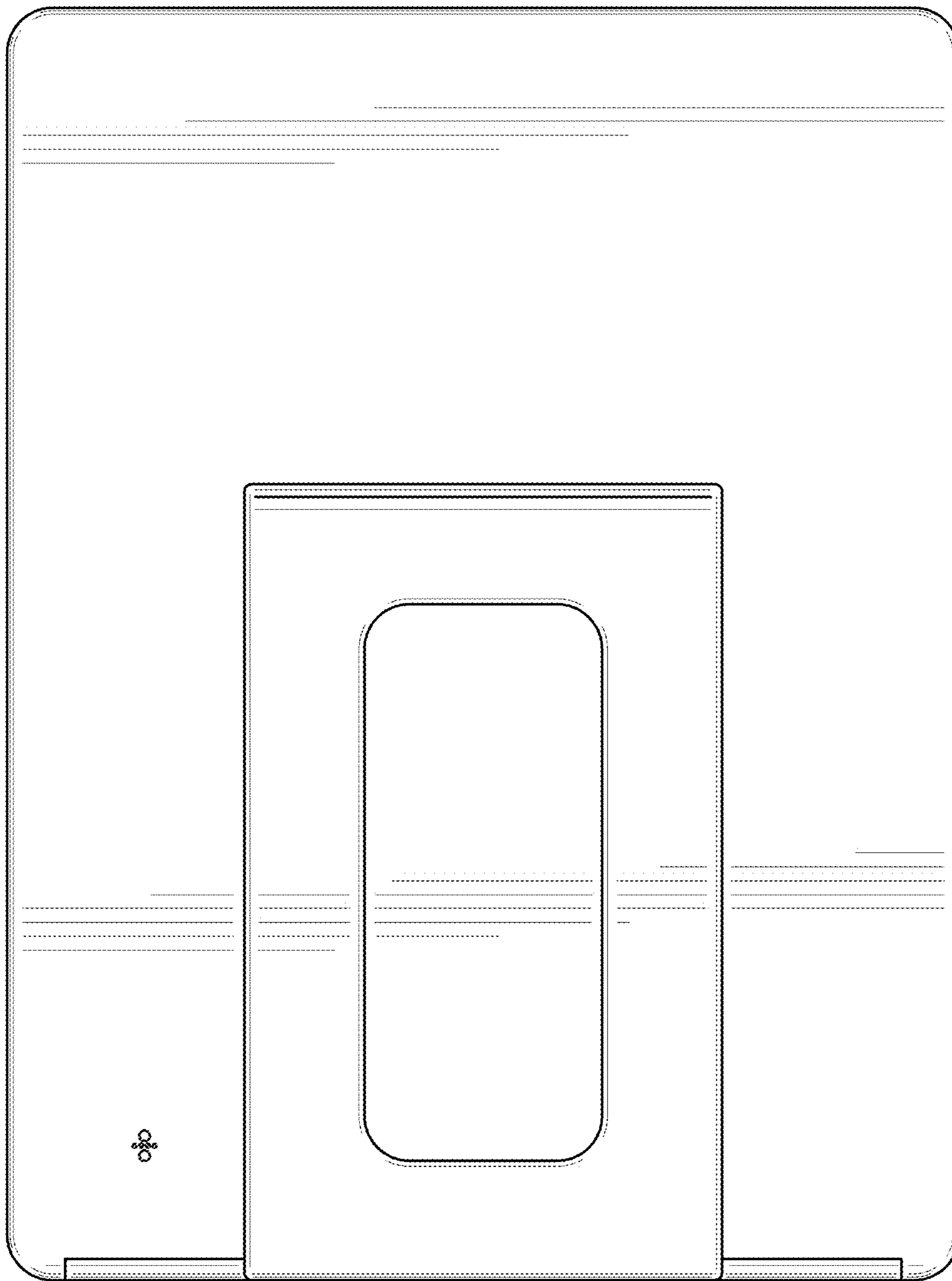


FIG. 9

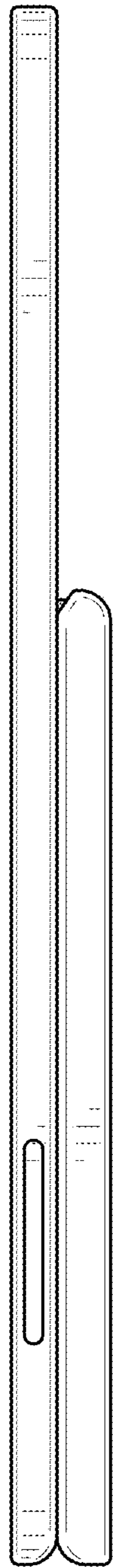


FIG. 10

