



US00D981734S

(12) **United States Design Patent**
Bennett

(10) **Patent No.:** **US D981,734 S**

(45) **Date of Patent:** **** Mar. 28, 2023**

(54) **BRUSH HEAD FOR A SNOW BRUSH WITH ICE SCRAPER**

(71) Applicant: **HOPKINS MANUFACTURING CORPORATION**, Emporia, KS (US)

(72) Inventor: **Kyle M. Bennett**, Emporia, KS (US)

(73) Assignee: **Hopkins Manufacturing Corporation**, Emporia, KS (US)

(**) Term: **15 Years**

(21) Appl. No.: **29/761,237**

(22) Filed: **Dec. 8, 2020**

(51) **LOC (14) Cl.** **04-99**

(52) **U.S. Cl.**
USPC **D4/134**

(58) **Field of Classification Search**
USPC D4/100, 102, 116, 117, 118, 121, 122,
D4/127, 128, 130, 131, 132, 133, 134,
D4/138; D32/40-42, 46, 49
CPC . A47L 13/12; A47L 13/022; A46B 2200/302;
A46B 2200/3046; A46B 15/0055
See application file for complete search history.

(56) **References Cited**

U.S. PATENT DOCUMENTS

D675,799 S * 2/2013 Beij D32/40
D793,091 S * 8/2017 Laenner D4/132

D831,360 S * 10/2018 Bennett D4/130
D873,519 S * 1/2020 Chouikh D32/50
D913,698 S * 3/2021 Bennett D4/118
D925,234 S * 7/2021 Waxman D4/118
D930,310 S * 9/2021 Aguiar D32/52
2004/0250365 A1* 12/2004 Anderson A47L 13/12
15/245

* cited by examiner

Primary Examiner — Cynthia Ramirez

Assistant Examiner — Tamara L Hahn

(74) *Attorney, Agent, or Firm* — Hovey Williams LLP

(57) **CLAIM**

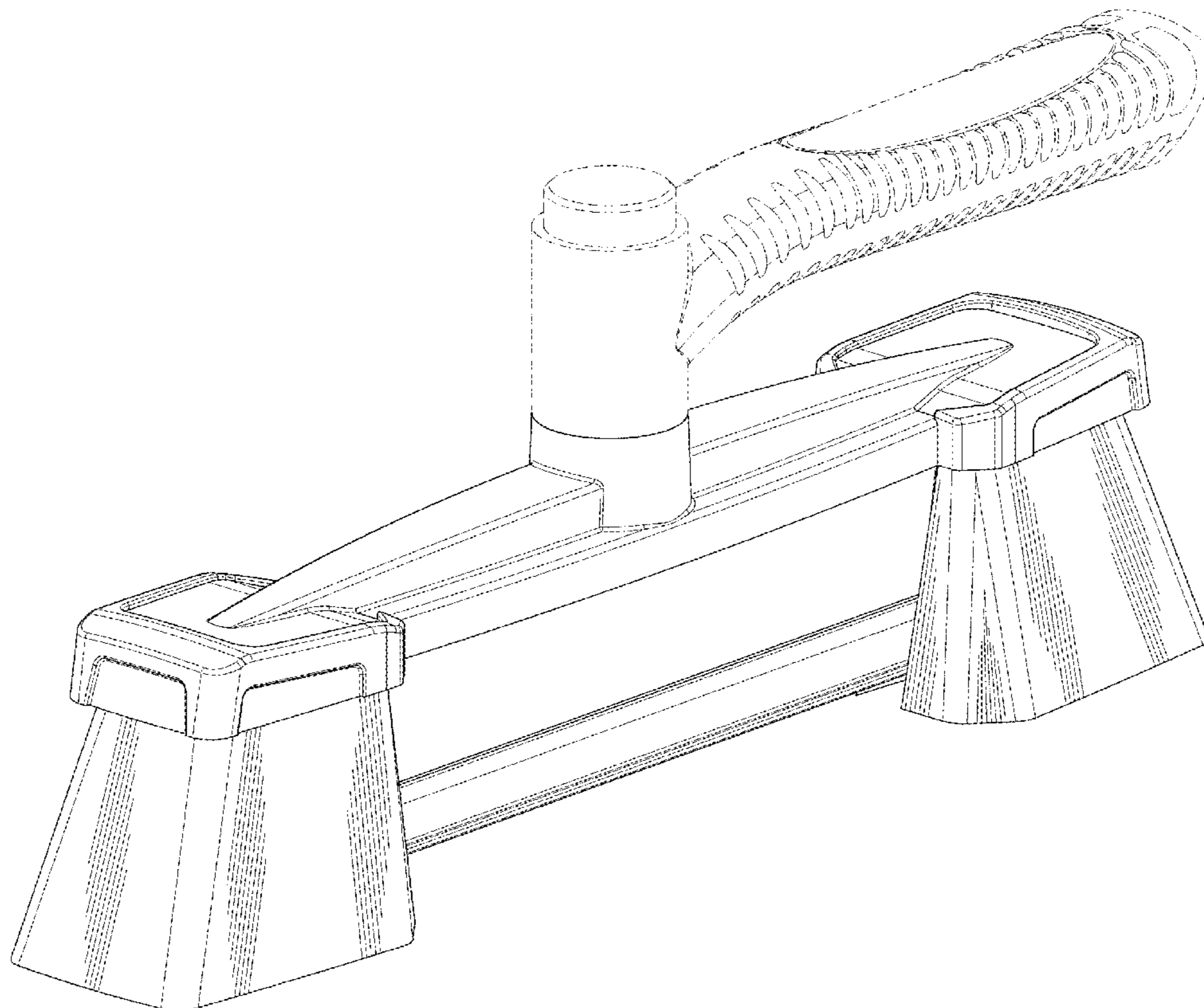
The ornamental design for a brush head for a snow brush with ice scraper, as shown and described.

DESCRIPTION

FIG. 1 is a top left perspective view of a brush head for a snow brush with ice scraper showing my new design; FIG. 2 is a bottom left perspective view thereof; FIG. 3 is a side elevational view thereof; FIG. 4 is a top plan view thereof; FIG. 5 is a bottom plan view thereof; FIG. 6 is a left end view thereof; and, FIG. 7 is a right end view thereof.

The broken lines in the drawings depict portions of a brush head for a snow brush with ice scraper that form no part of the claimed design.

1 Claim, 5 Drawing Sheets



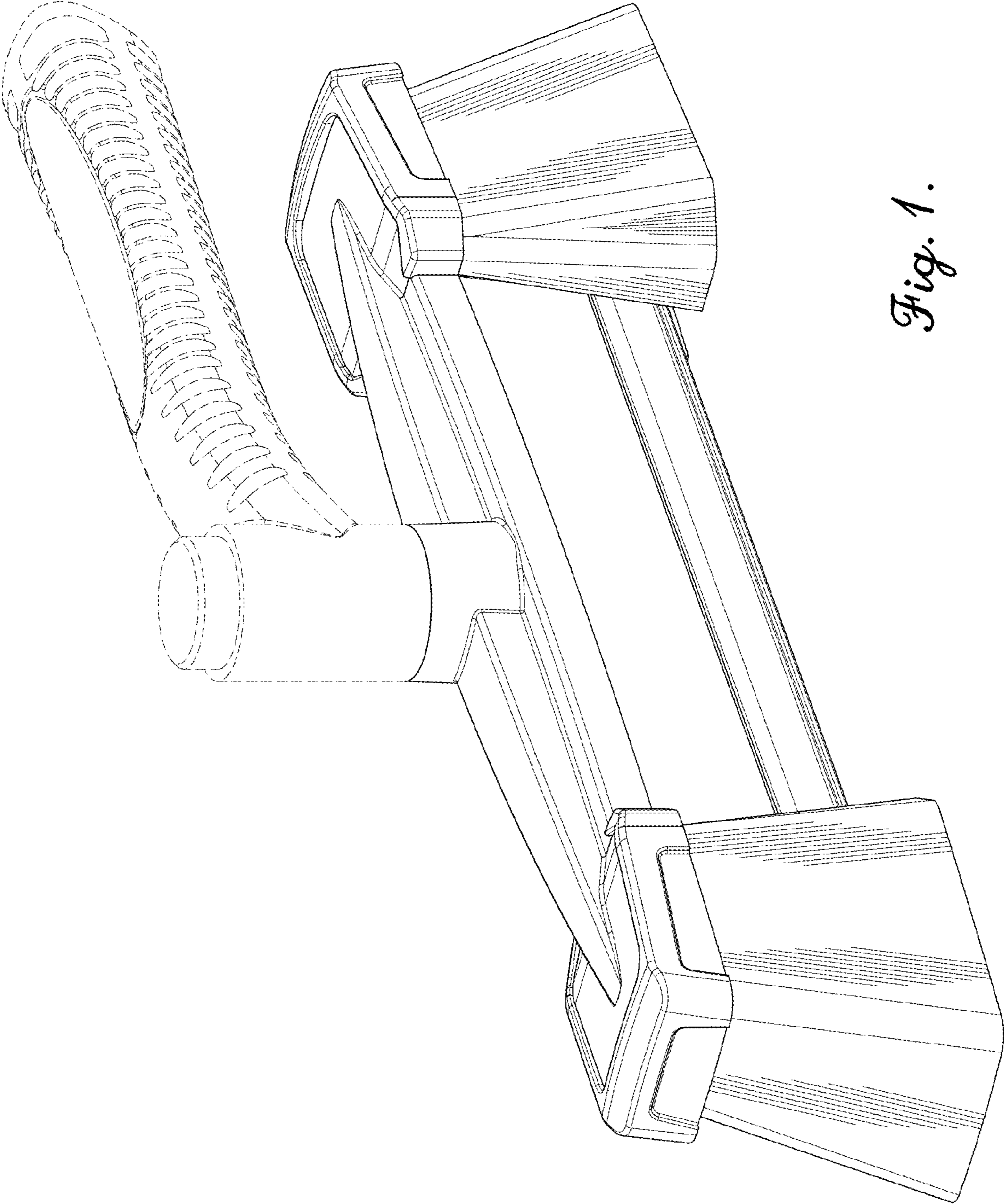


Fig. 1.

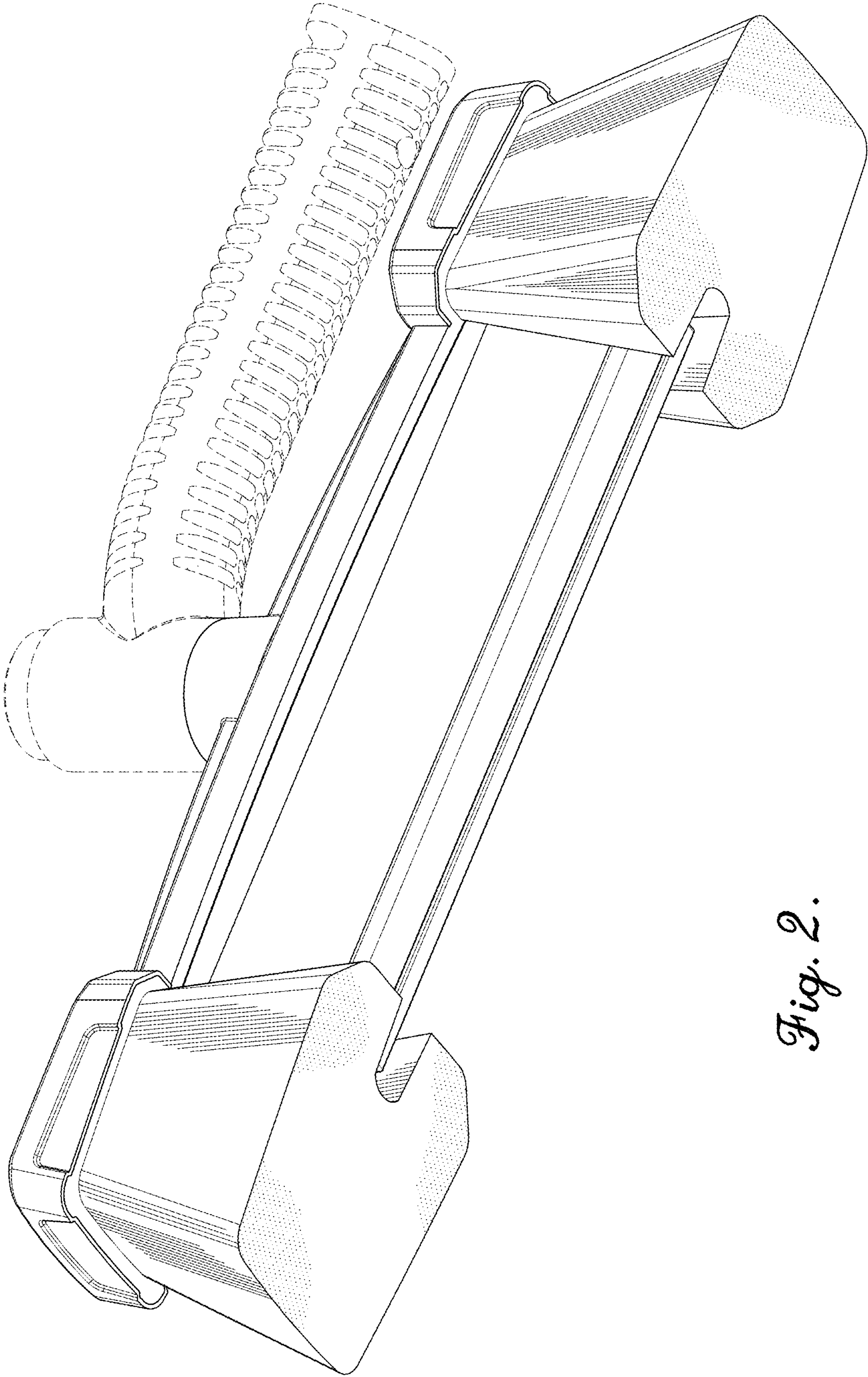


Fig. 2.

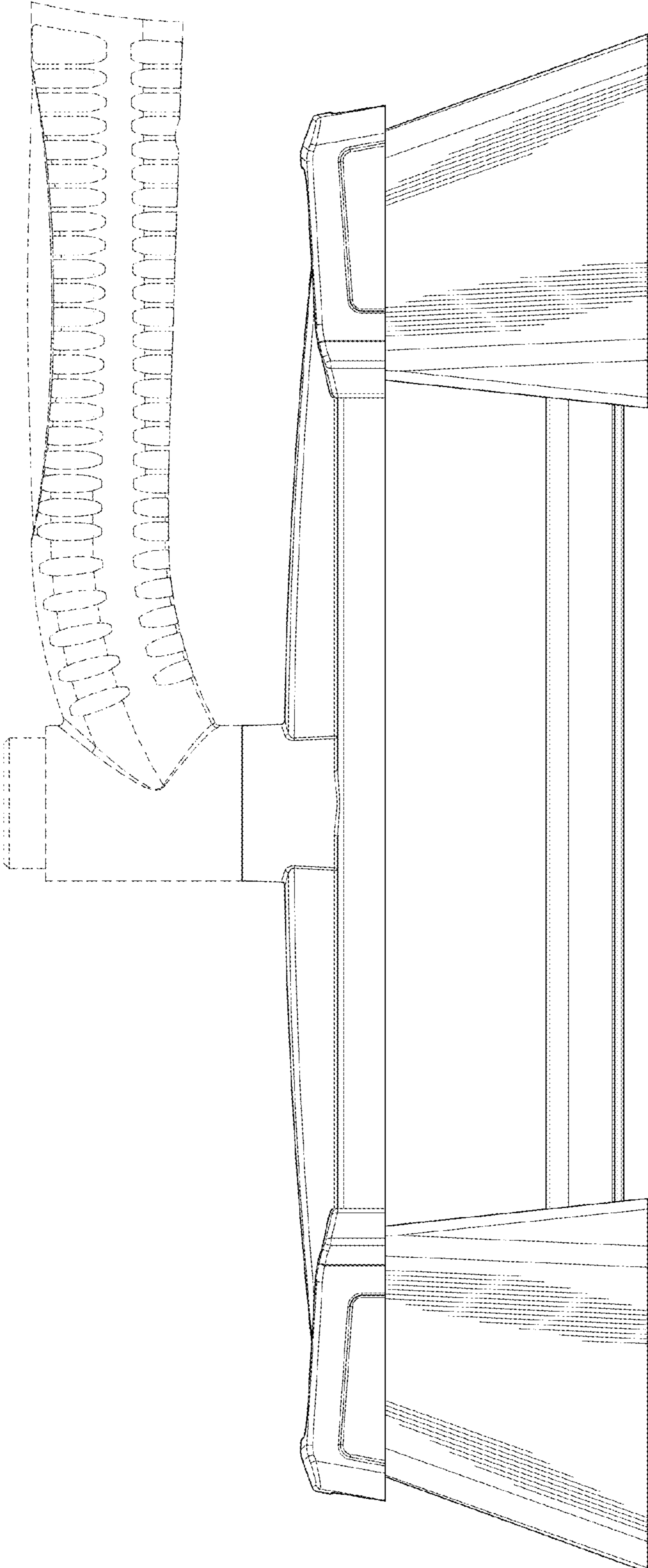


Fig. 3.

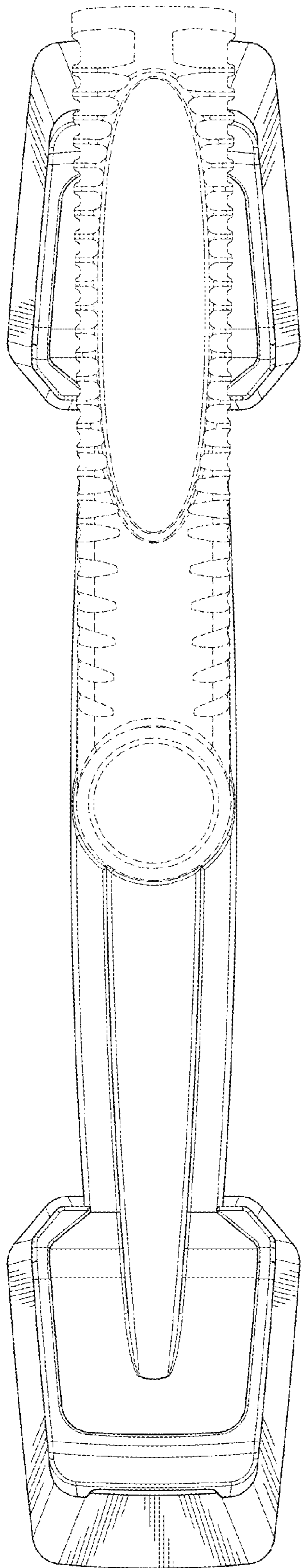


Fig. 4.

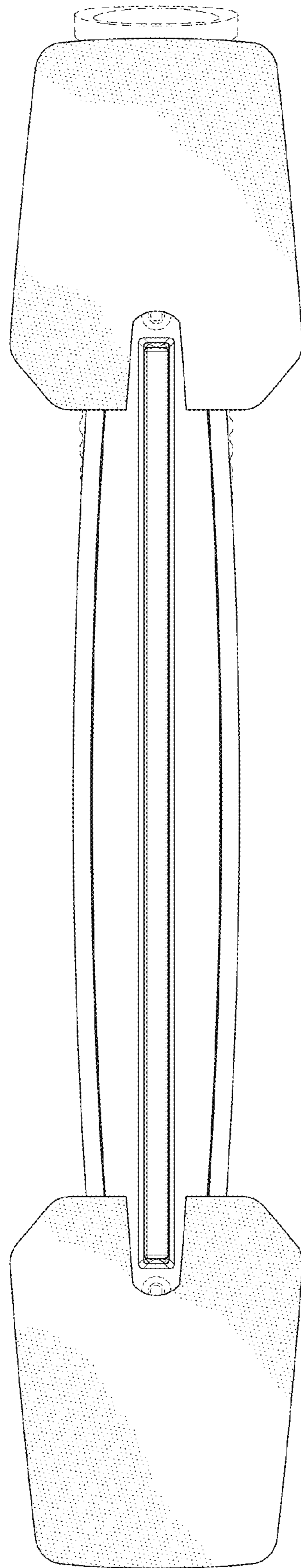


Fig. 5.

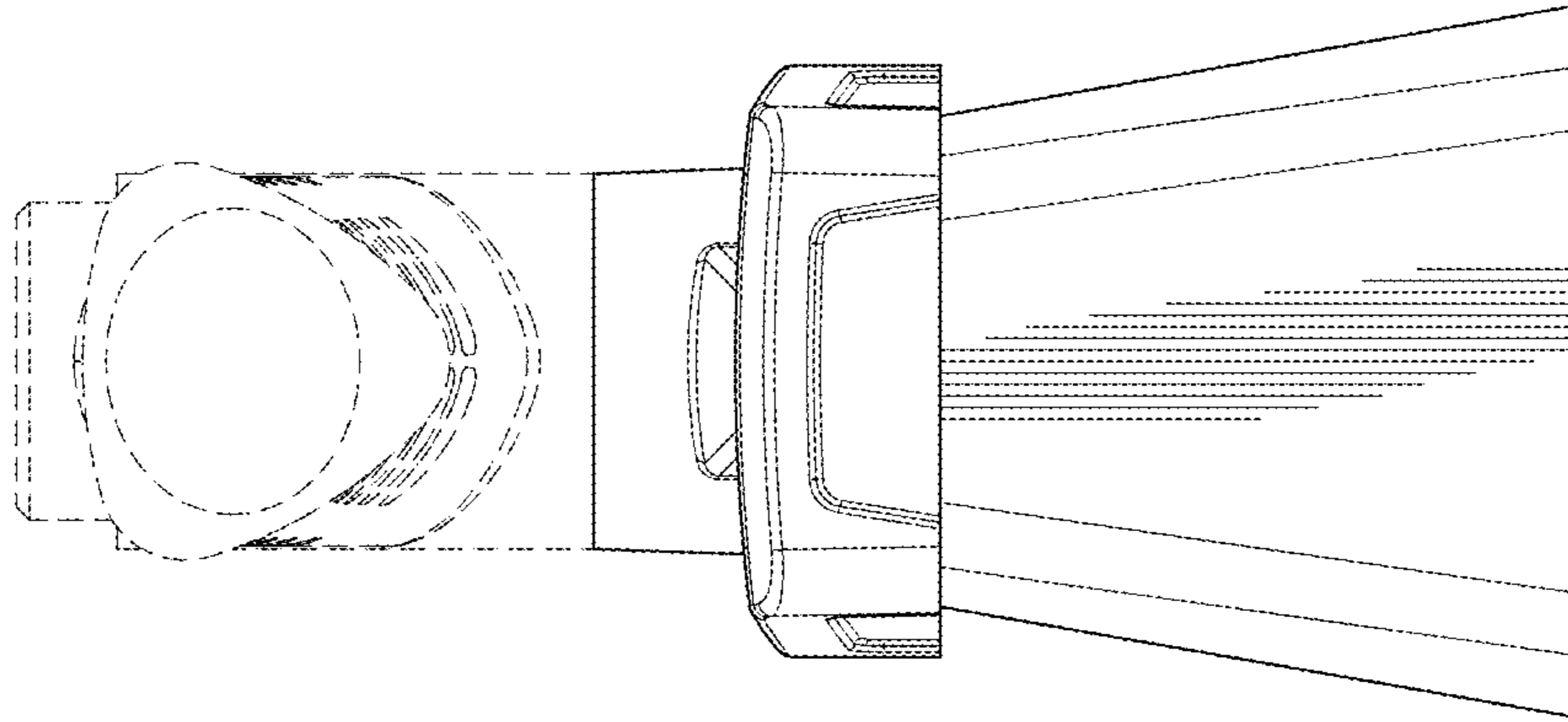


Fig. 7.

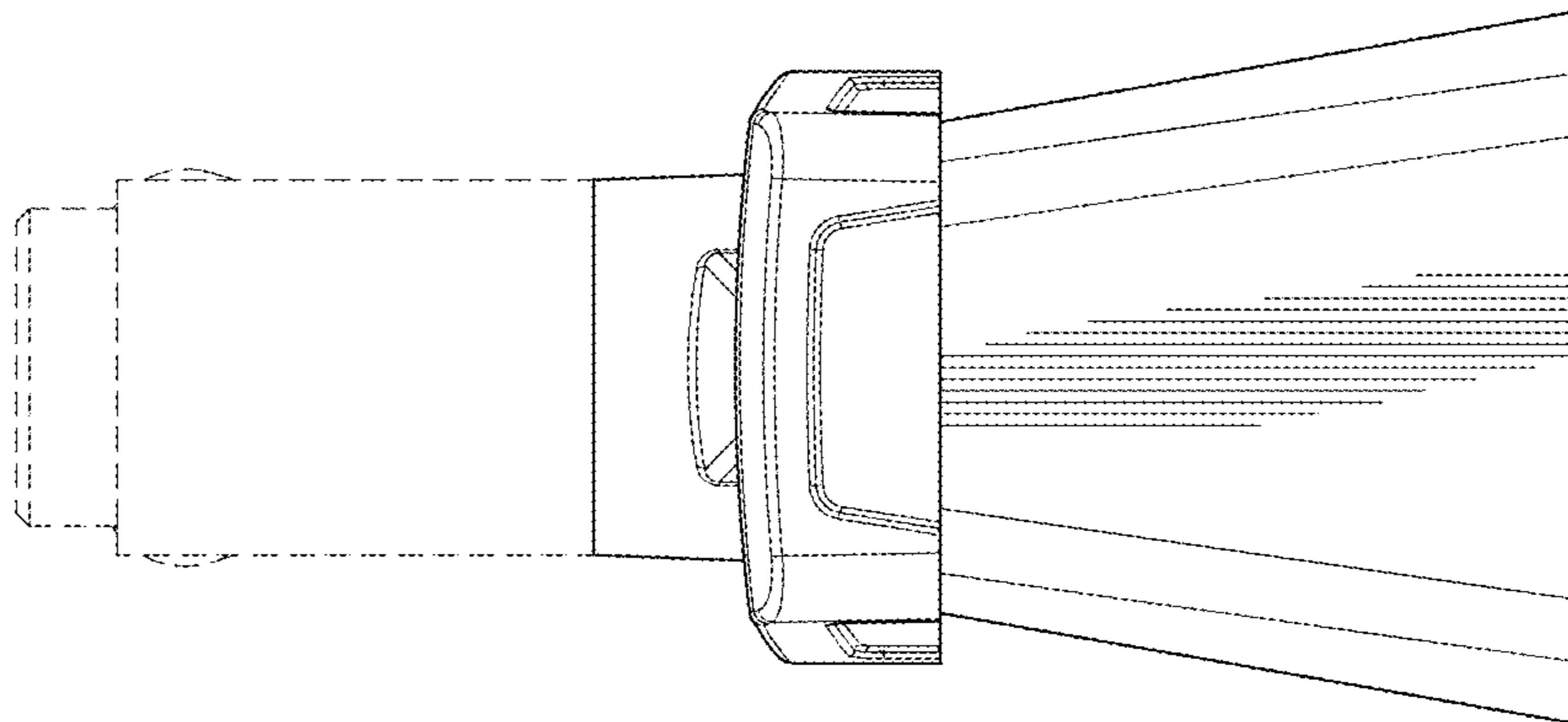


Fig. 6.