



US00D981733S

(12) **United States Design Patent**
Bennett

(10) **Patent No.:** **US D981,733 S**
(45) **Date of Patent:** **** Mar. 28, 2023**

(54) **HANDLE FOR A SNOW BRUSH WITH ICE SCRAPER**

(71) Applicant: **HOPKINS MANUFACTURING CORPORATION**, Emporia, KS (US)

(72) Inventor: **Kyle M. Bennett**, Emporia, KS (US)

(73) Assignee: **Hopkins Manufacturing Corporation**, Emporia, KS (US)

(**) Term: **15 Years**

(21) Appl. No.: **29/761,236**

(22) Filed: **Dec. 8, 2020**

(51) **LOC (14) Cl.** **04-99**

(52) **U.S. Cl.**
USPC **D4/134**

(58) **Field of Classification Search**
USPC D4/100, 102, 116, 117, 118, 121, 122,
D4/127, 128, 130, 131, 132, 133, 134,
D4/138; D32/42, 46, 49
CPC . B25G 1/102; B25G 3/04; B25G 3/00; B25G
3/10
See application file for complete search history.

(56) **References Cited**

U.S. PATENT DOCUMENTS

D345,640 S * 3/1994 Galati D32/49
D427,030 S * 6/2000 Wen D8/107

6,125,497 A * 10/2000 Galbreath B44D 3/006
D32/49
D453,465 S * 2/2002 Hsieh D8/107
D544,162 S * 6/2007 Uffner D32/46
D684,776 S * 6/2013 Wang D4/138
D704,449 S * 5/2014 Ihde D4/118
D777,447 S * 1/2017 Libman D4/114
9,957,725 B2 * 5/2018 Maurer E04F 21/163
D832,542 S * 10/2018 Larouche D32/50
D910,317 S * 2/2021 Aguiar D4/138
D912,994 S * 3/2021 Wen D4/137

* cited by examiner

Primary Examiner — Cynthia Ramirez

Assistant Examiner — Tamara L Hahn

(74) *Attorney, Agent, or Firm* — Hovey Williams LLP

(57) **CLAIM**

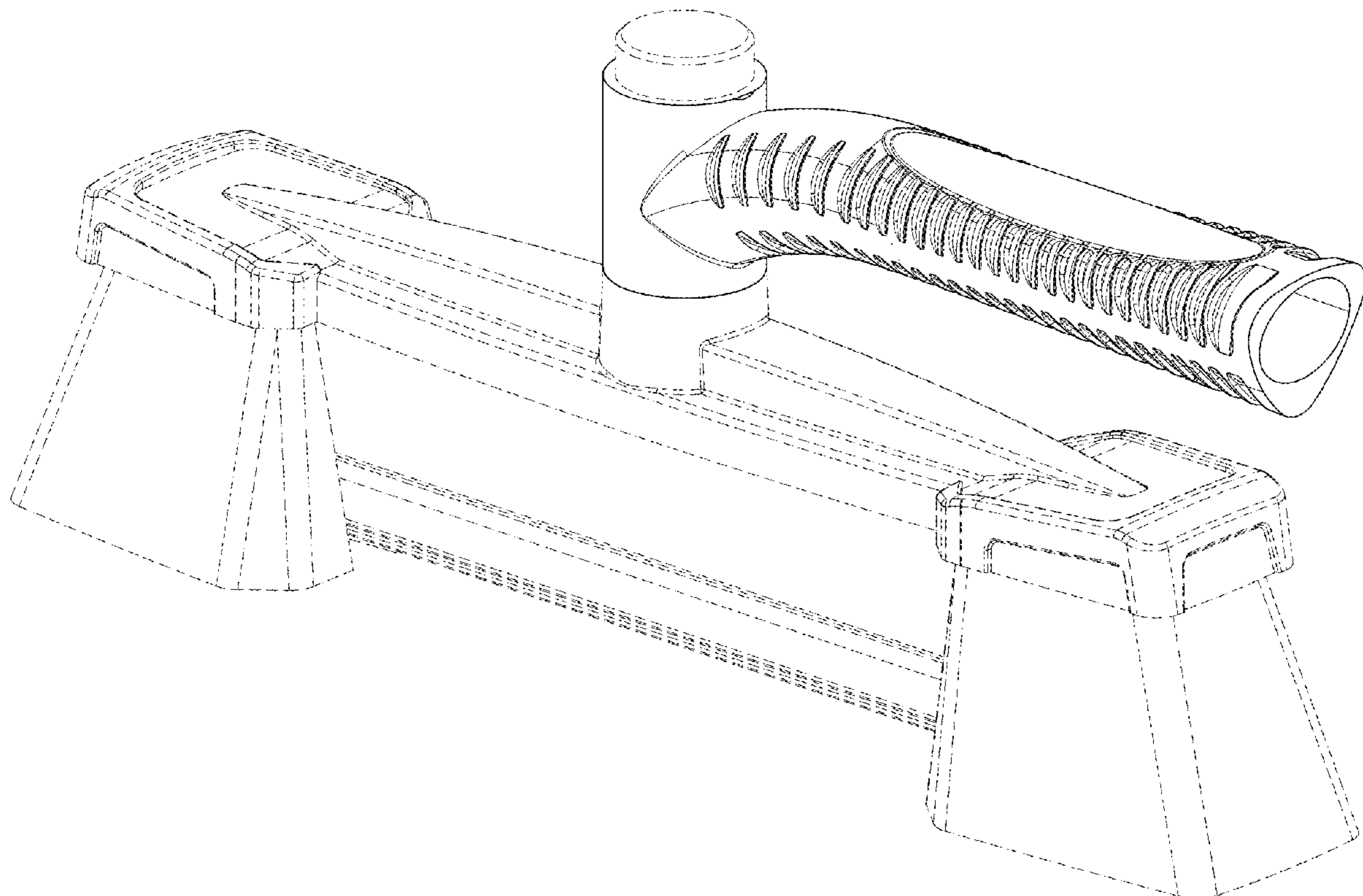
The ornamental design for a handle for a snow brush with ice scraper, as shown and described.

DESCRIPTION

FIG. 1 is a top right perspective view of the invention; FIG. 2 is a bottom right perspective view thereof; FIG. 3 is a side elevational view thereof; FIG. 4 is a top plan view thereof; FIG. 5 is a bottom plan view thereof; FIG. 6 is a left end view thereof; and, FIG. 7 is a right end view thereof.

The broken lines in the drawings depict portions of a handle for a snow brush with ice scraper that form no part of the claimed design.

1 Claim, 5 Drawing Sheets



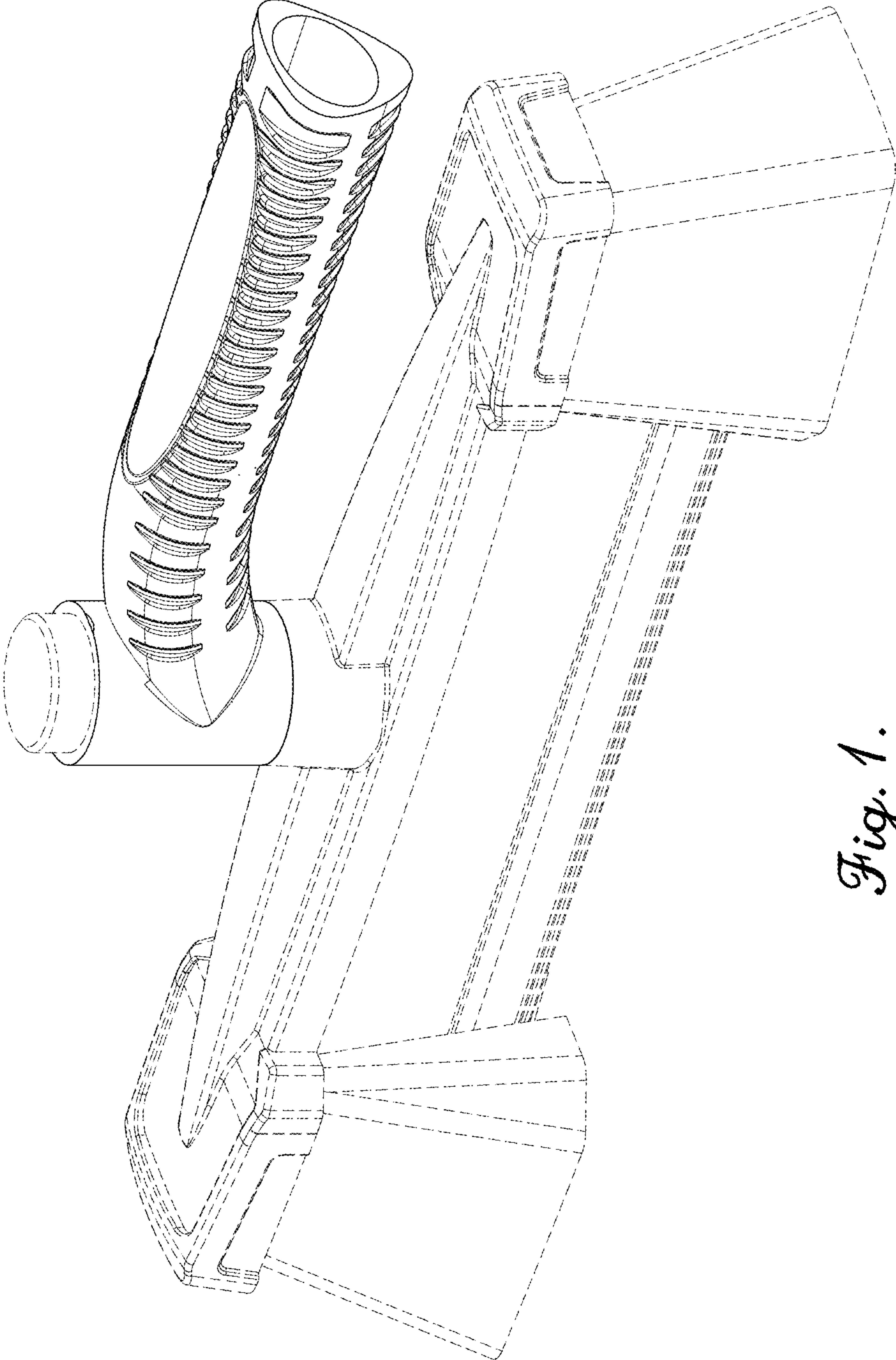


Fig. 1.

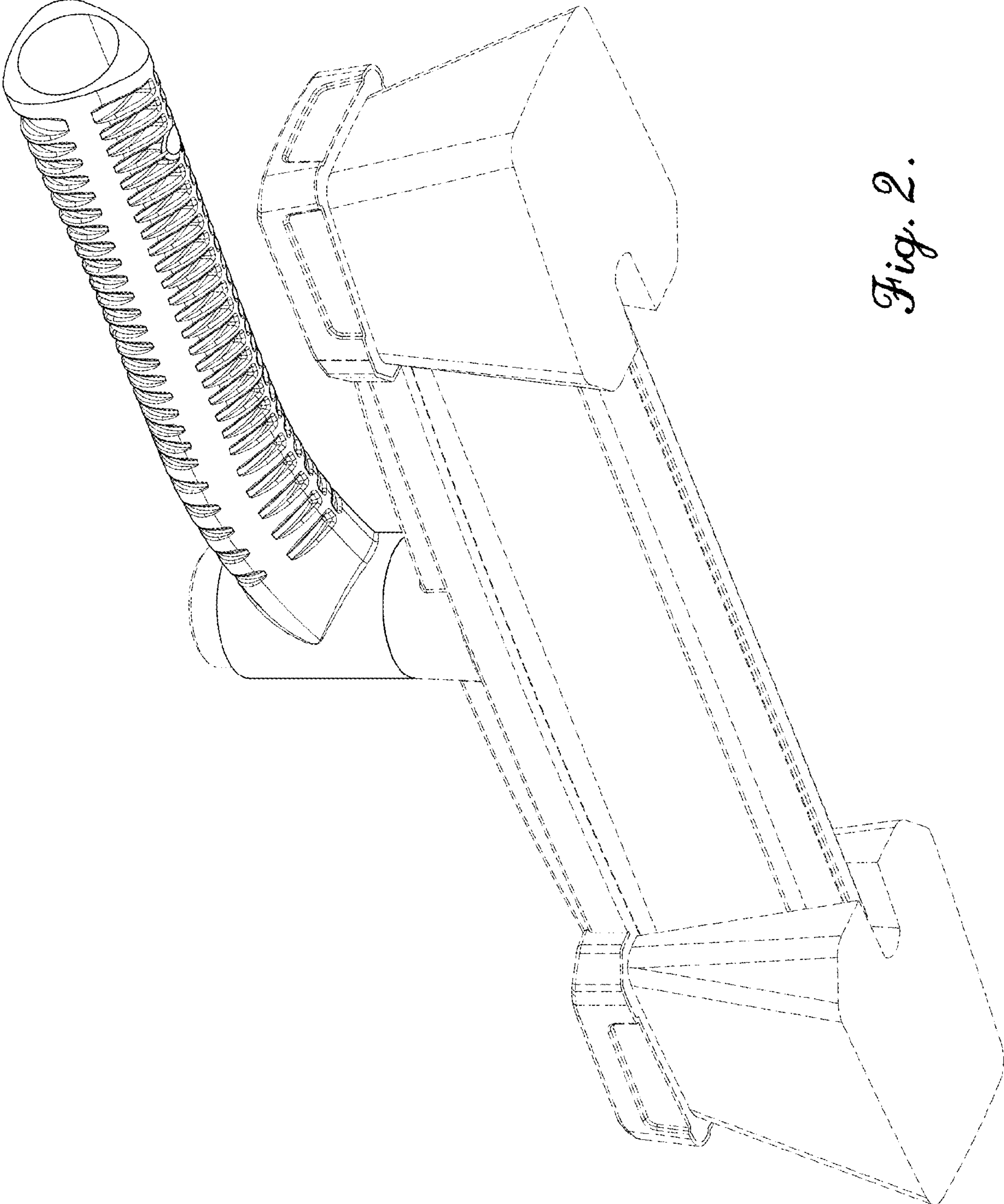


Fig. 2.

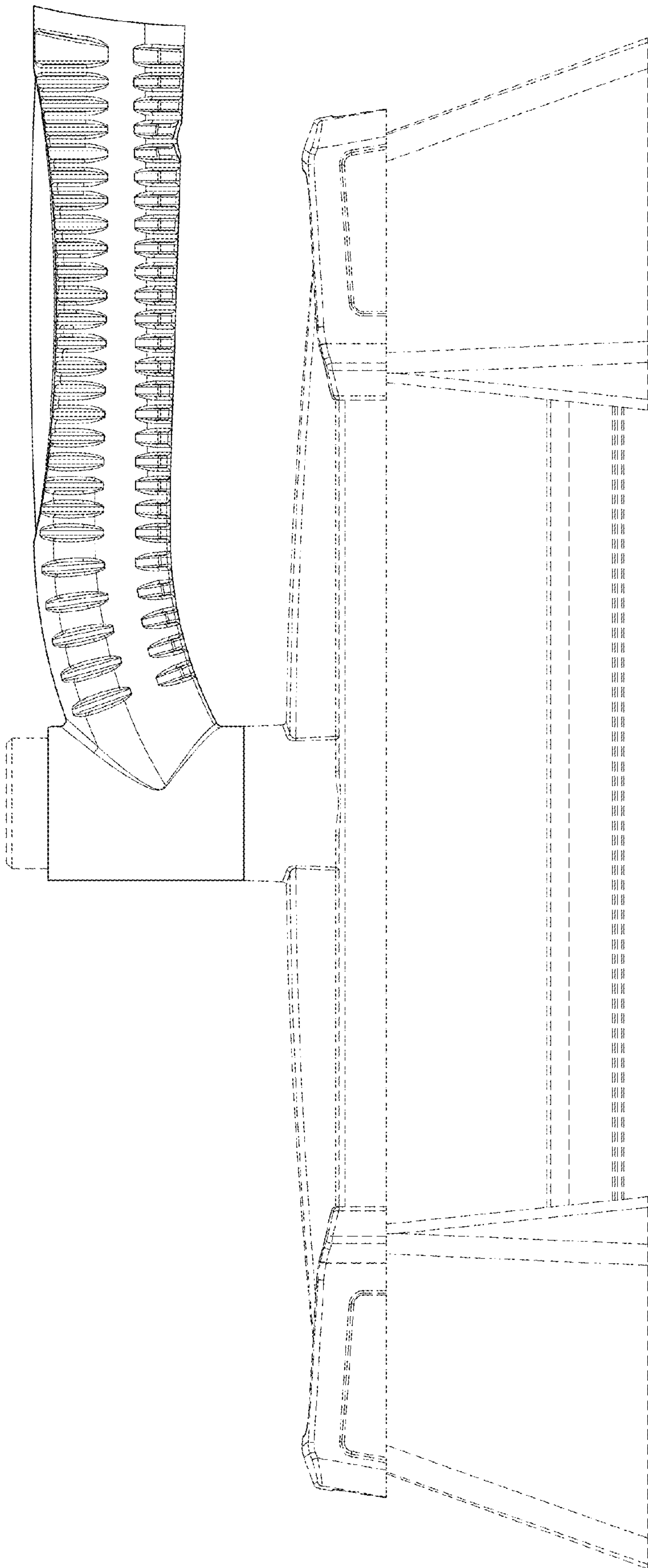


Fig. 3.

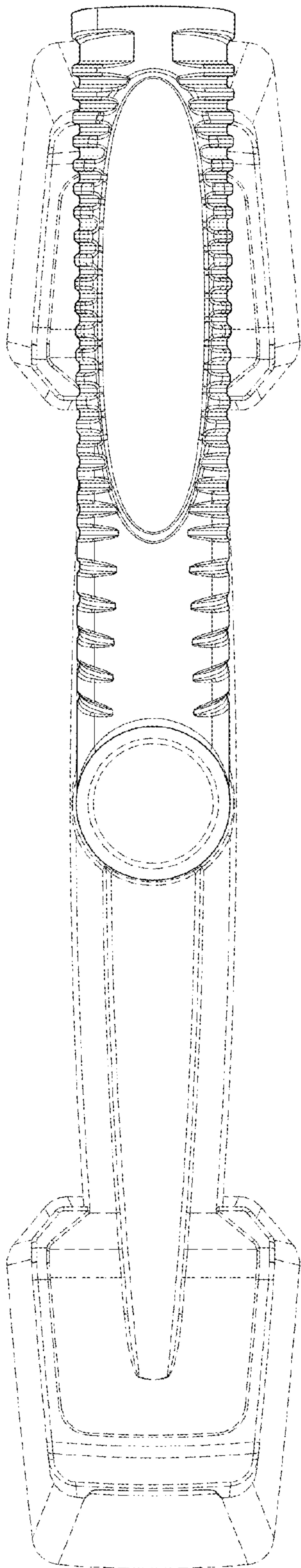


Fig. 4.

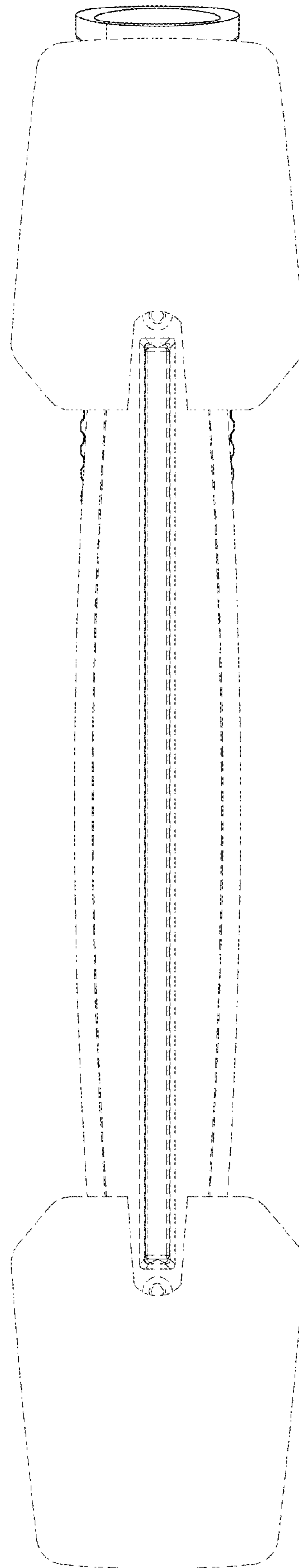


Fig. 5.

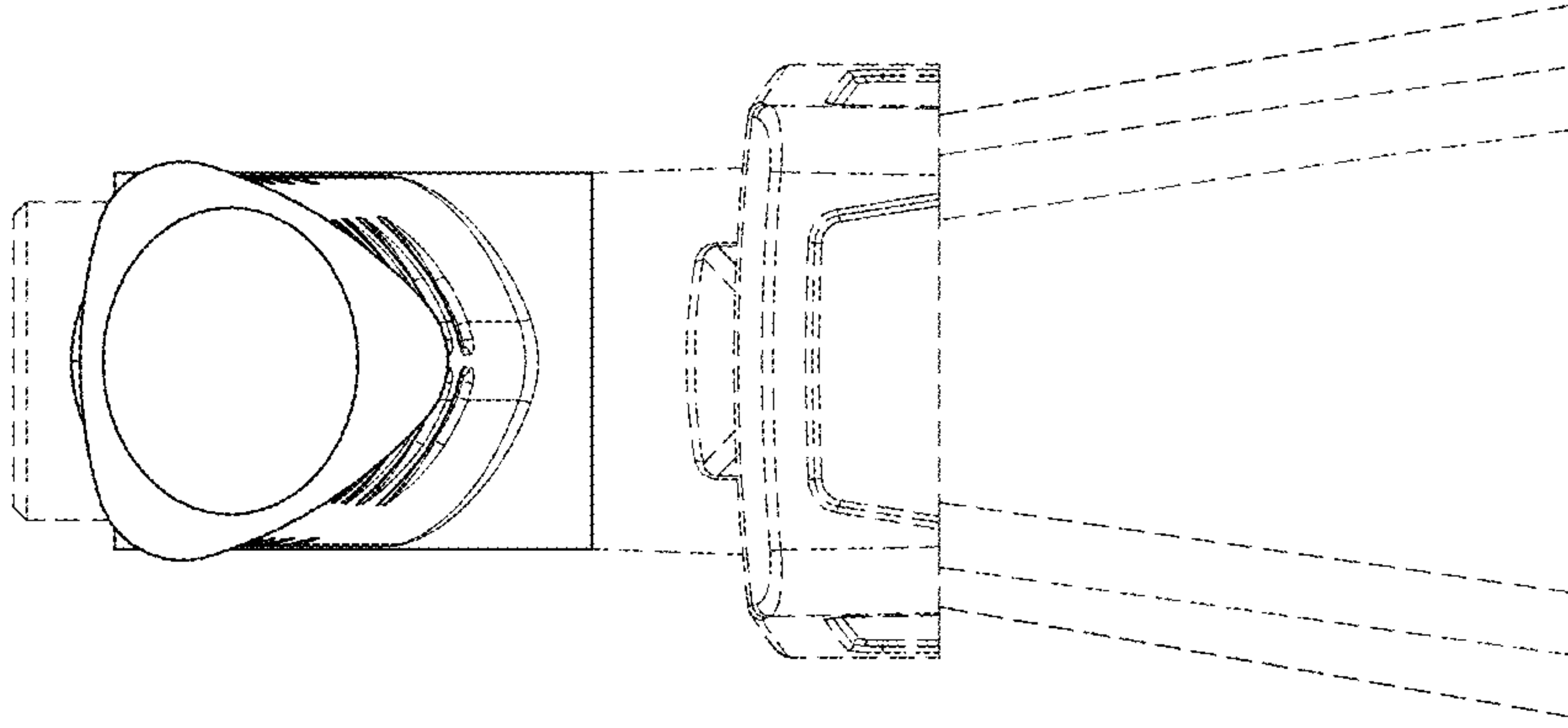


Fig. 7.

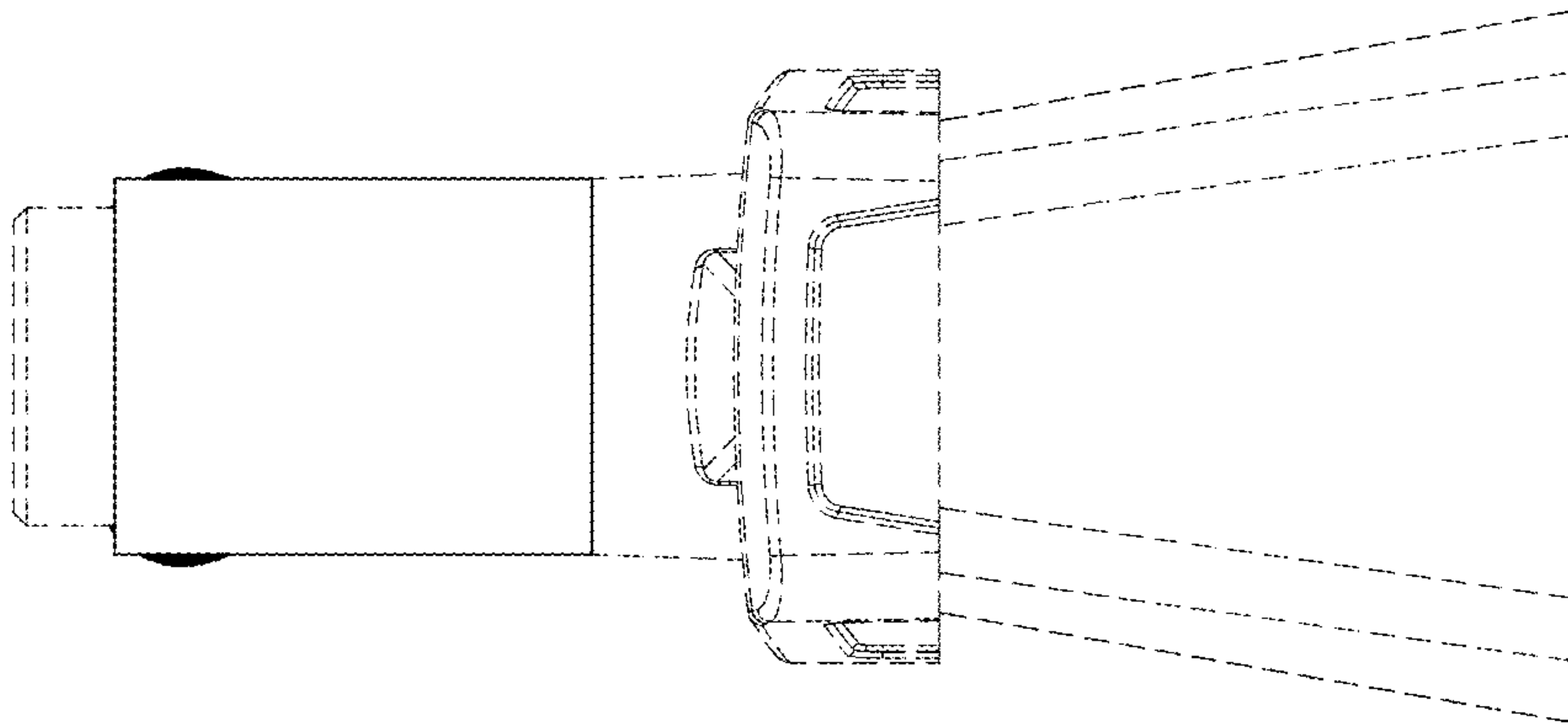


Fig. 6.