



US00D981732S

(12) **United States Design Patent**  
**Sun**

(10) **Patent No.:** **US D981,732 S**  
(45) **Date of Patent:** **\*\* Mar. 28, 2023**

- (54) **MINI ROLLER FOR PAINT**
- (71) Applicant: **Zhe Sun**, Guangdong (CN)
- (72) Inventor: **Zhe Sun**, Guangdong (CN)
- (\*\*) Term: **15 Years**
- (21) Appl. No.: **29/852,100**
- (22) Filed: **Sep. 2, 2022**
- (51) **LOC (14) Cl.** ..... **14-01**
- (52) **U.S. Cl.**  
USPC ..... **D4/122**
- (58) **Field of Classification Search**  
USPC ..... D4/122, 138; 15/27, 104.001, 104.002,  
15/230.11; 492/13, 16-19  
CPC ..... B05C 1/00; B05C 1/02; B05C 17/0205;  
B44D 2/00  
See application file for complete search history.

- 8,904,588 B2 \* 12/2014 Taub ..... A47L 25/005  
D4/122
- D733,434 S \* 7/2015 Miwa ..... D4/122
- D871,078 S \* 12/2019 Winter ..... D4/122
- D970,225 S \* 11/2022 Wu ..... D4/122
- D970,899 S \* 11/2022 Roe ..... D4/122

\* cited by examiner

*Primary Examiner* — Austin Murphy

(57) **CLAIM**

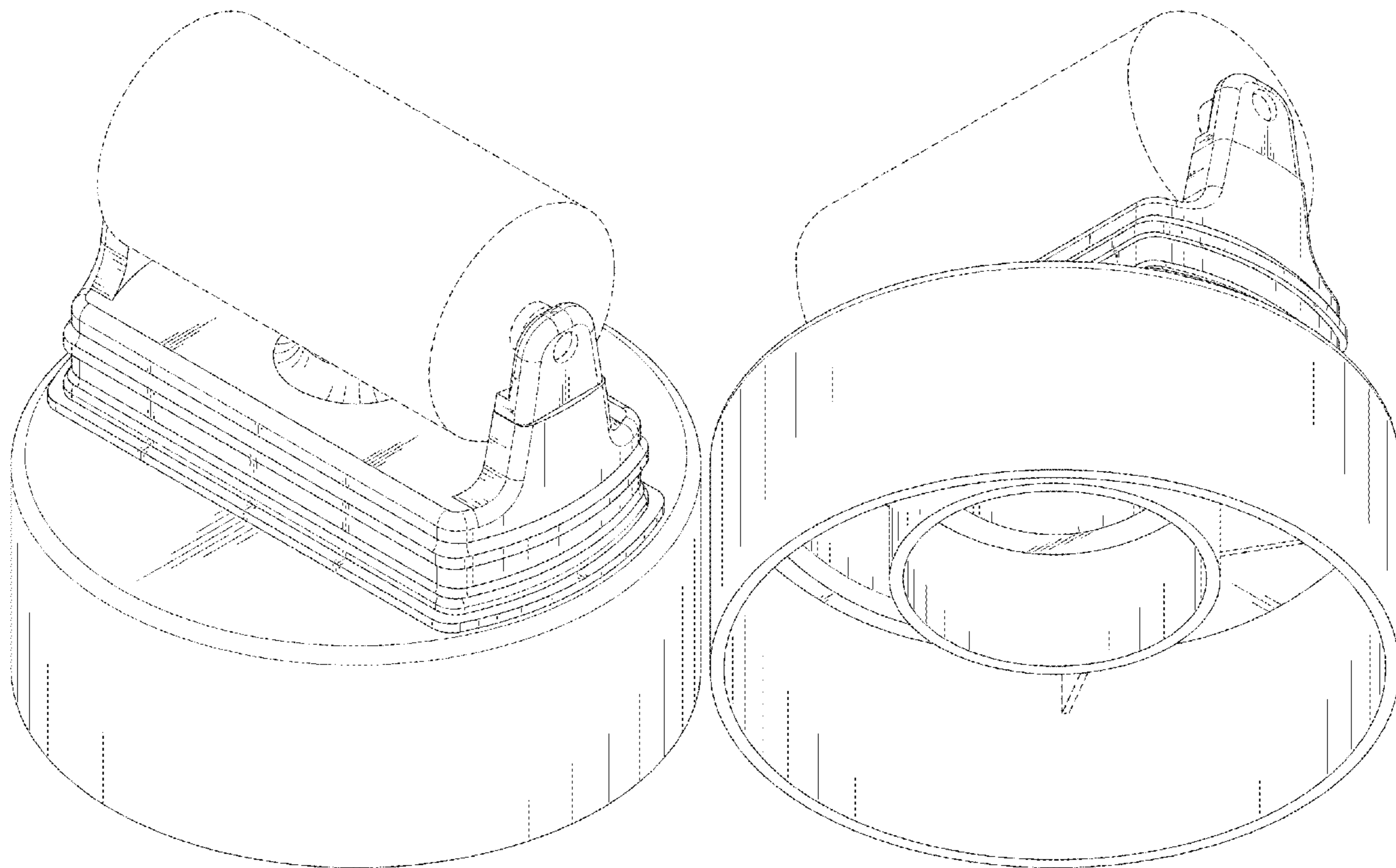
The ornamental design for a mini roller for paint, as shown and described.

**DESCRIPTION**

FIG. 1 is a front, right, and top perspective view of a mini roller for paint, showing my new design;  
 FIG. 2 is a rear, left, and bottom perspective view thereof;  
 FIG. 3 is a front, right, and bottom perspective view thereof;  
 FIG. 4 is a front elevation view thereof;  
 FIG. 5 is a rear view thereof;  
 FIG. 6 is a left side elevation view thereof;  
 FIG. 7 is a right side elevation view thereof;  
 FIG. 8 is a top plan view thereof;  
 FIG. 9 is a bottom plan view thereof; and,  
 FIG. 10 is another front, right, and top perspective view of the mini roller for paint of FIG. 1 in one state.  
 The broken lines shown in the drawings are included for the purpose of illustrating portions of the mini roller for paint that form no part of the claimed design.

**1 Claim, 10 Drawing Sheets**

- (56) **References Cited**  
U.S. PATENT DOCUMENTS
- D311,553 S \* 10/1990 Dideriksen ..... D4/133
- D323,727 S \* 2/1992 Re ..... D4/122
- D512,568 S 12/2005 Cho
- D584,897 S 1/2009 Belley
- D597,314 S 8/2009 Cane et al.
- D622,063 S 8/2010 Isaac
- D626,750 S \* 11/2010 Armstrong ..... D4/122
- D637,404 S 5/2011 Wang
- D661,491 S \* 6/2012 Bunnag ..... D4/122
- D700,784 S \* 3/2014 Arvinte ..... D4/122



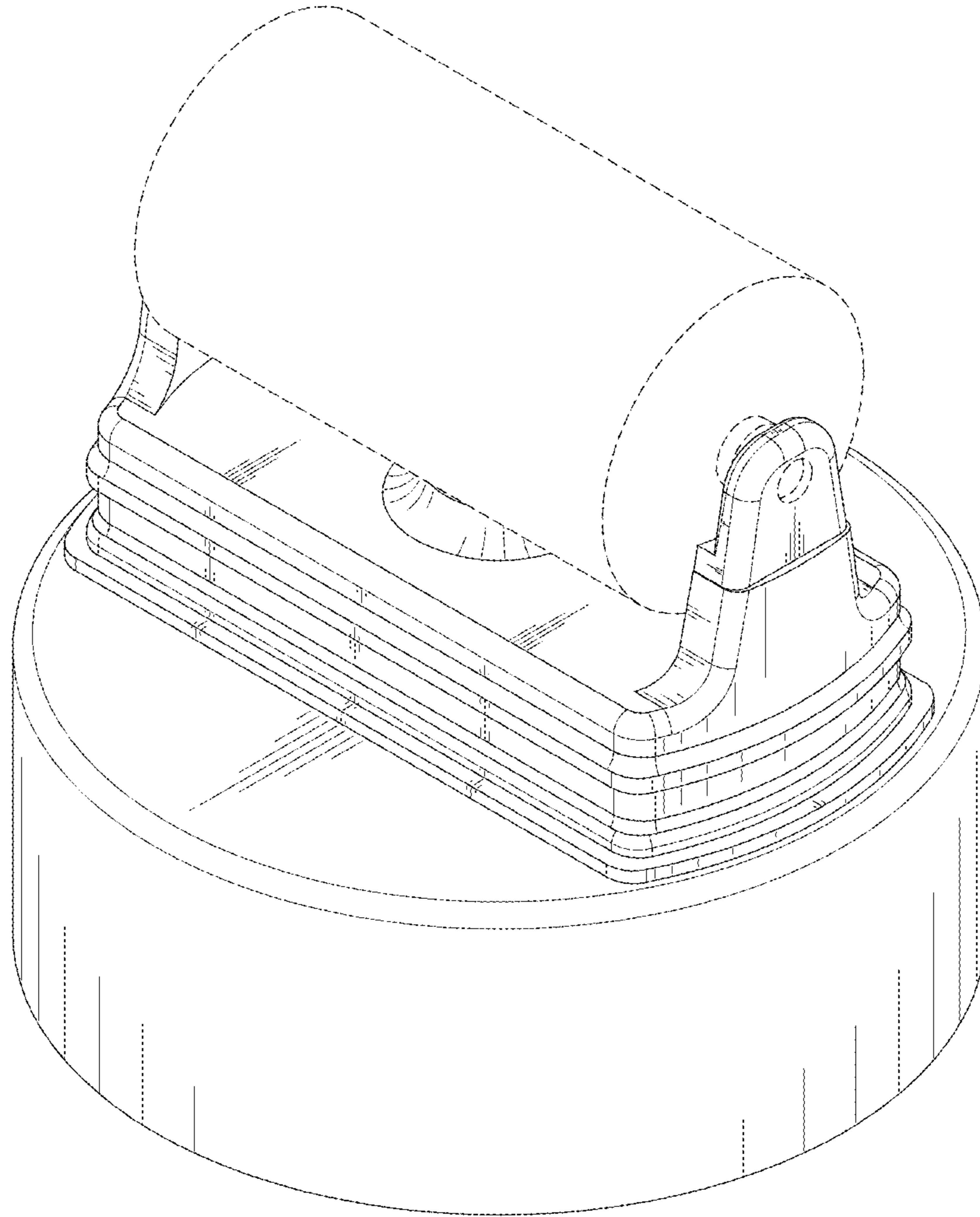


FIG. 1

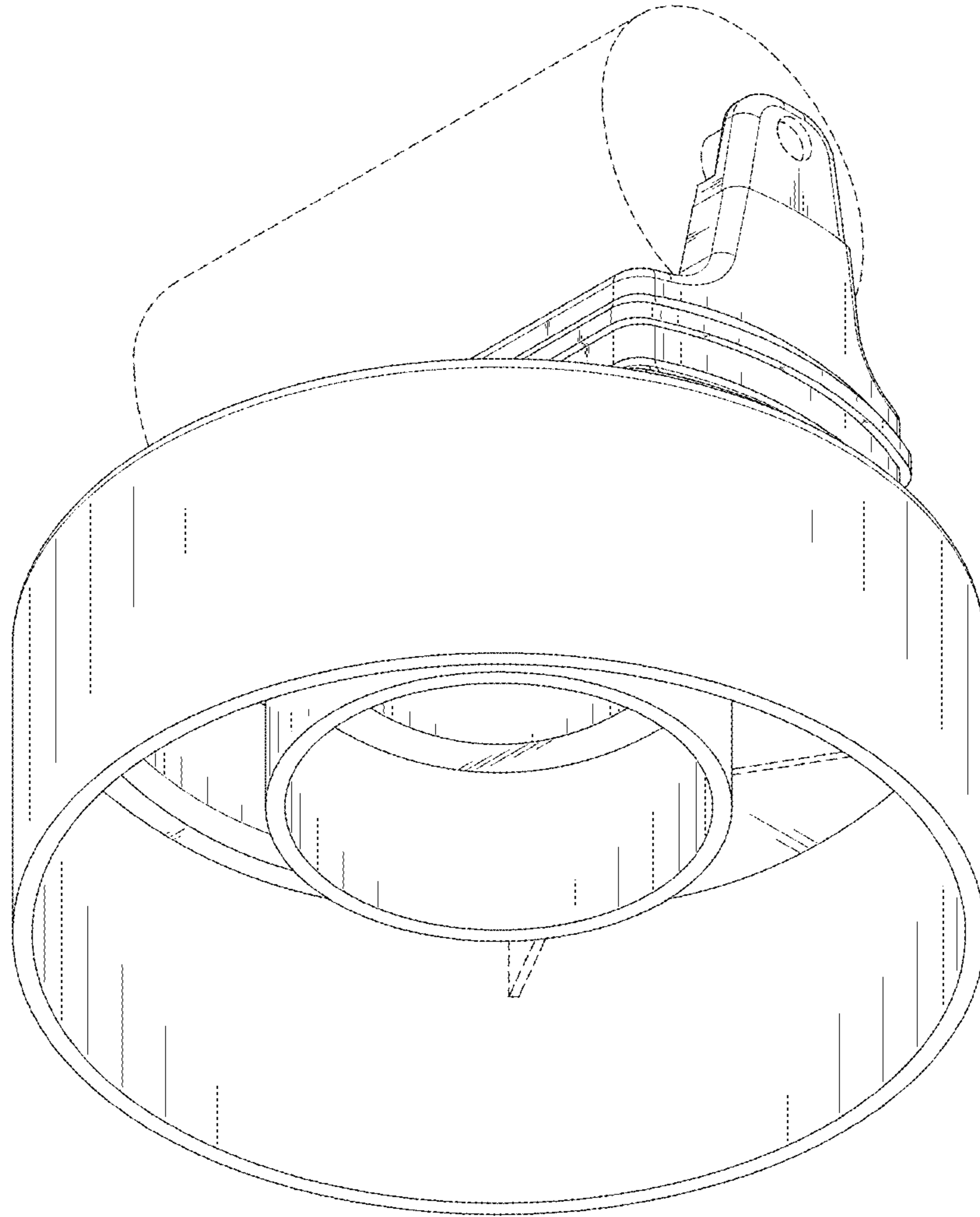


FIG. 2

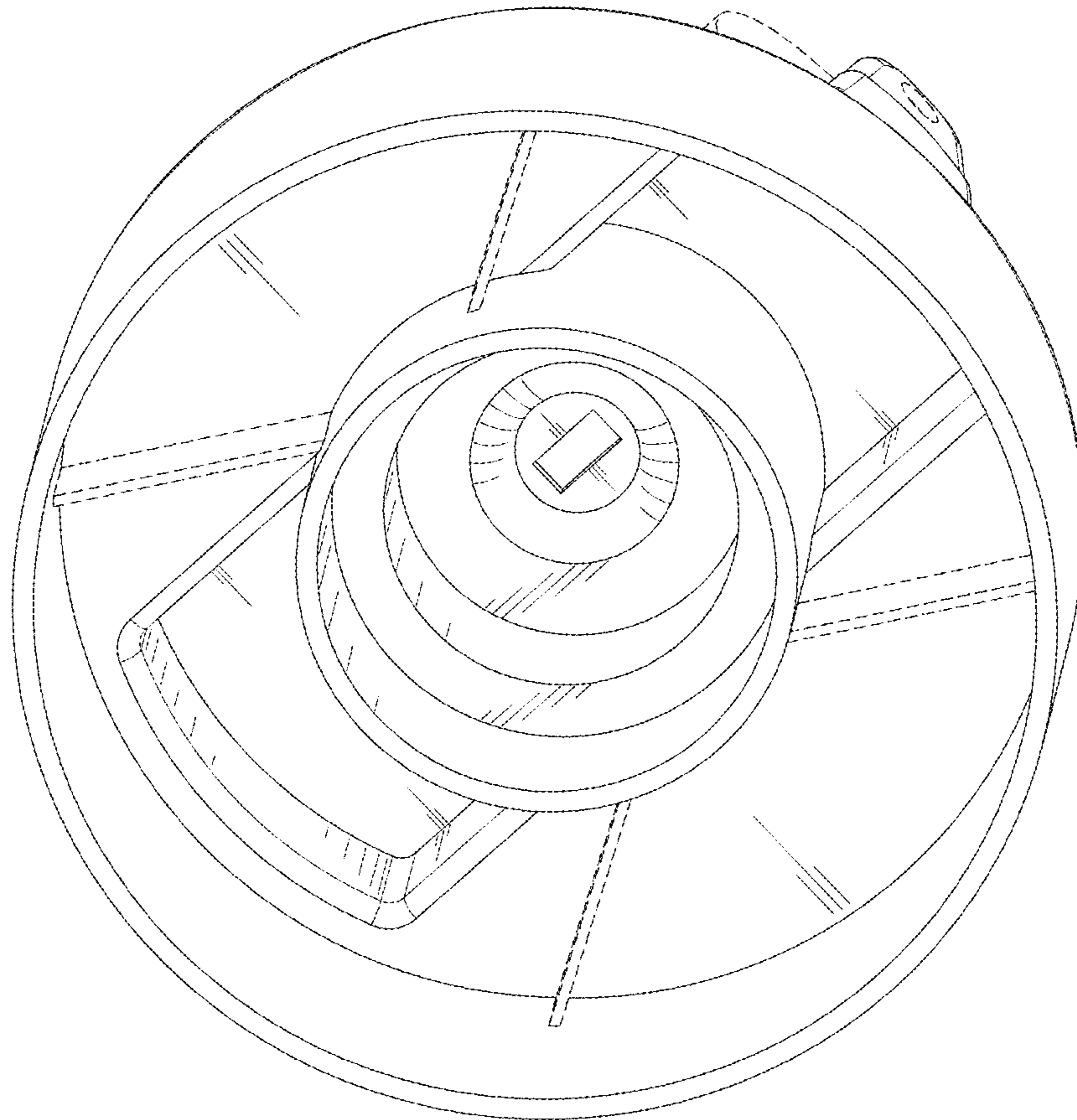


FIG. 3

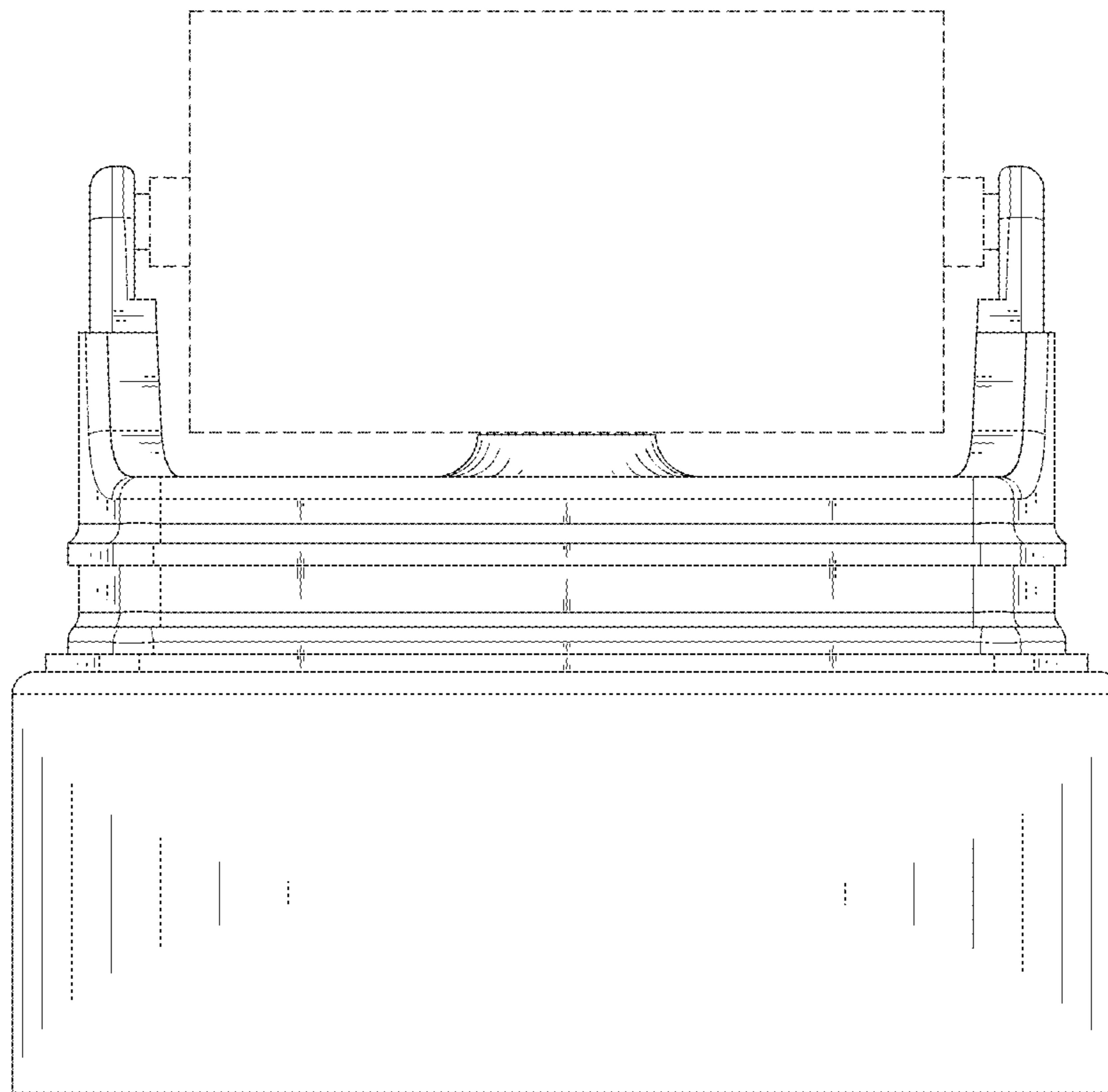


FIG. 4

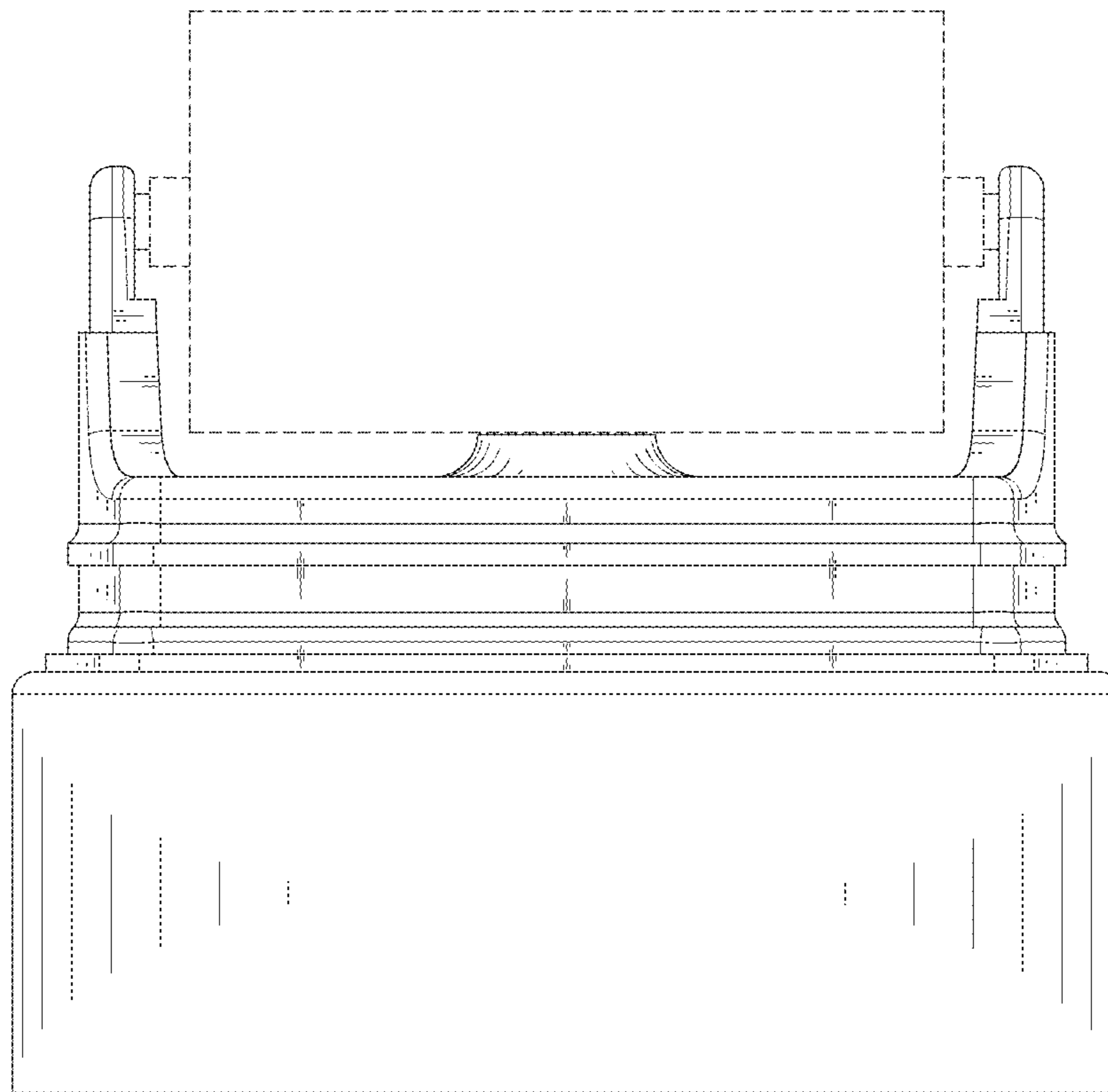


FIG. 5

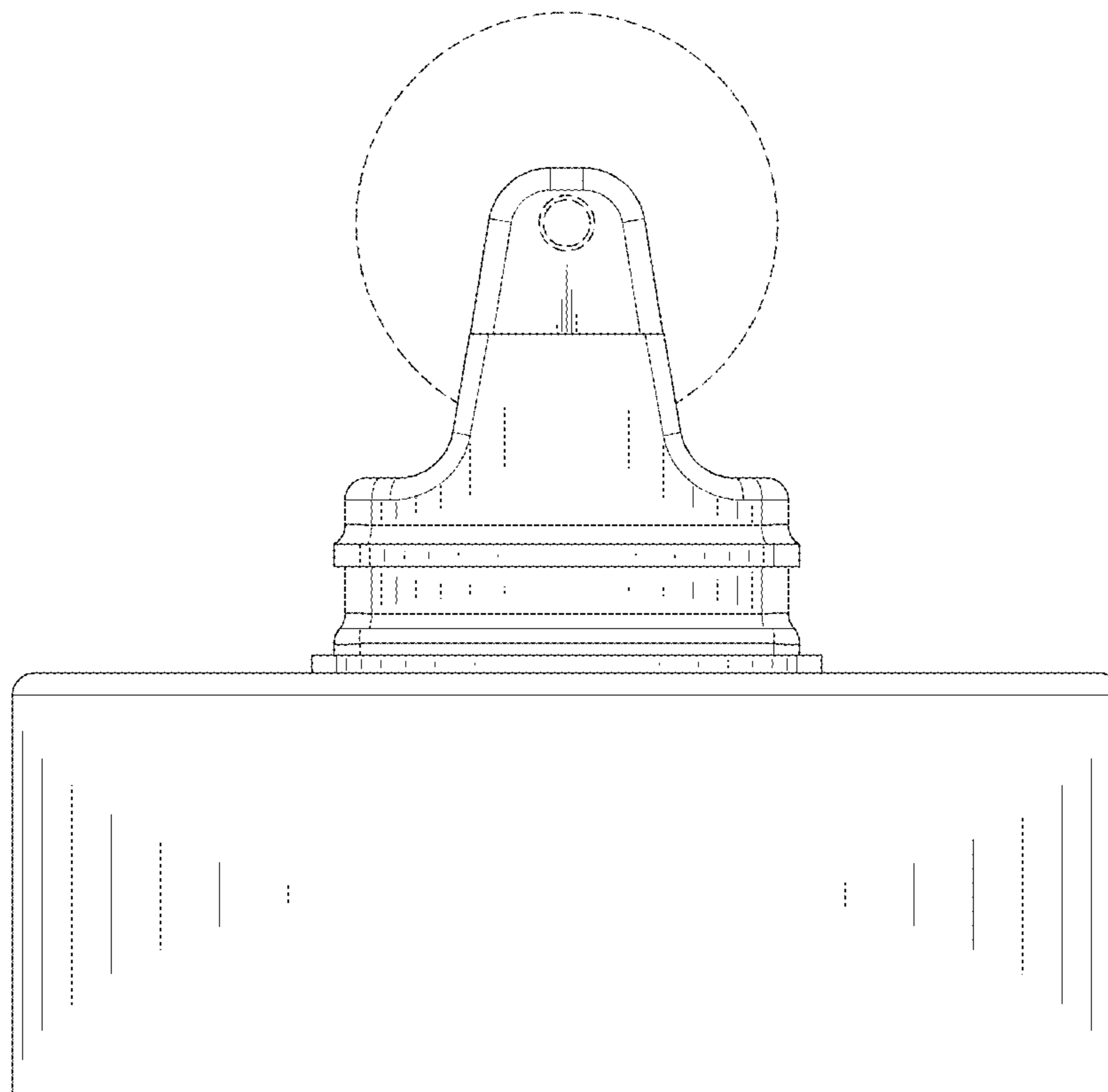


FIG. 6

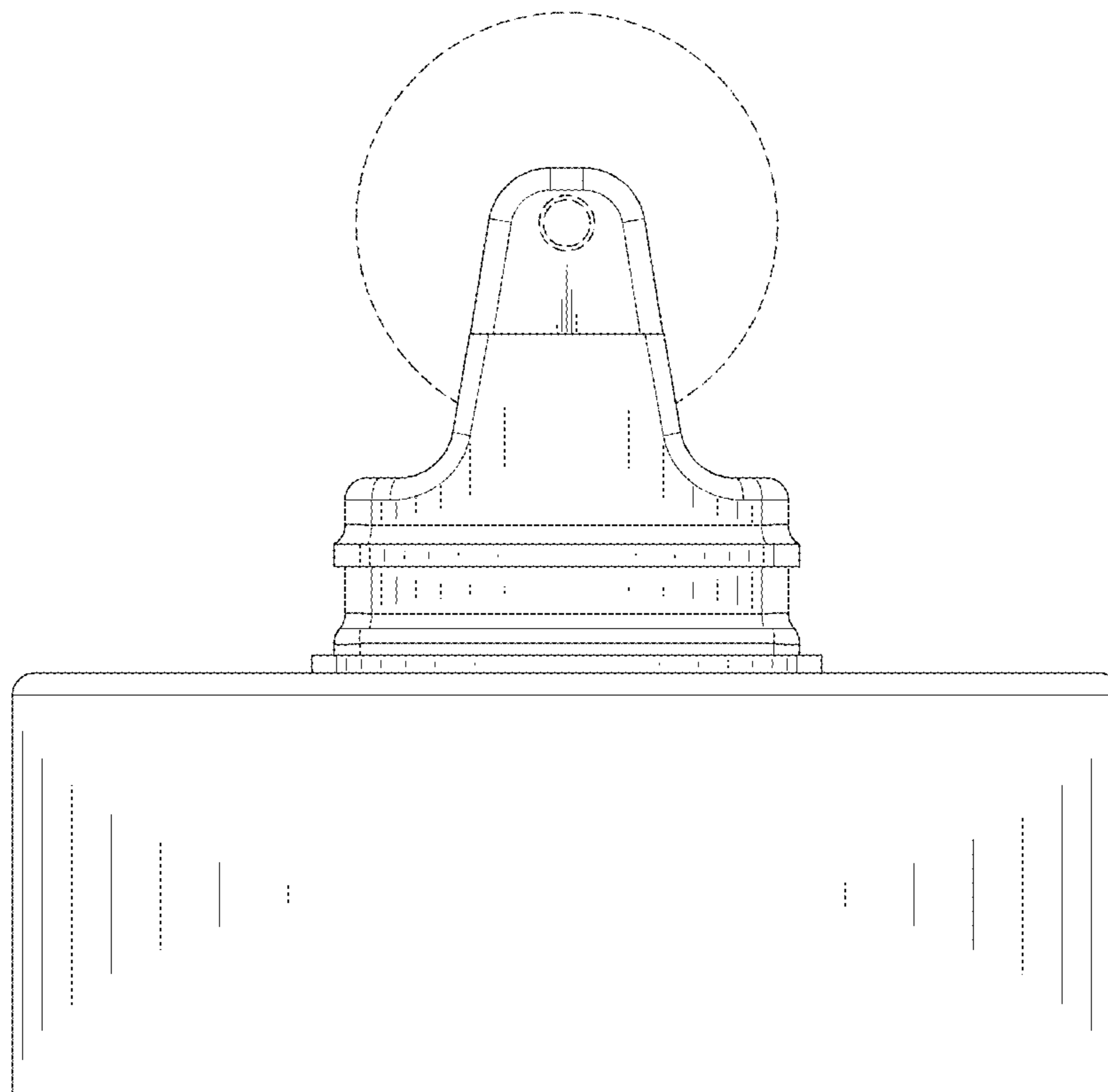


FIG. 7



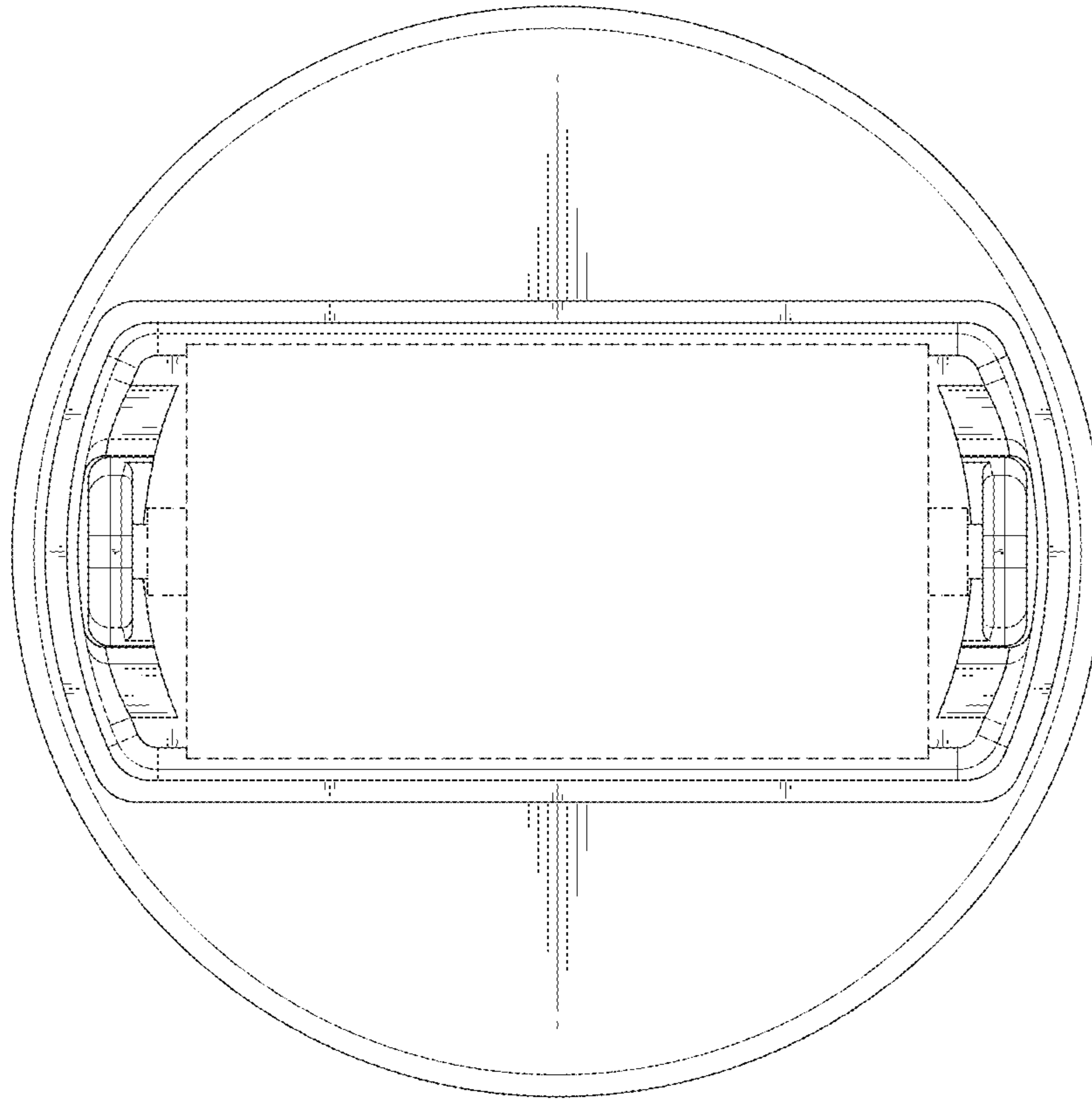


FIG. 8

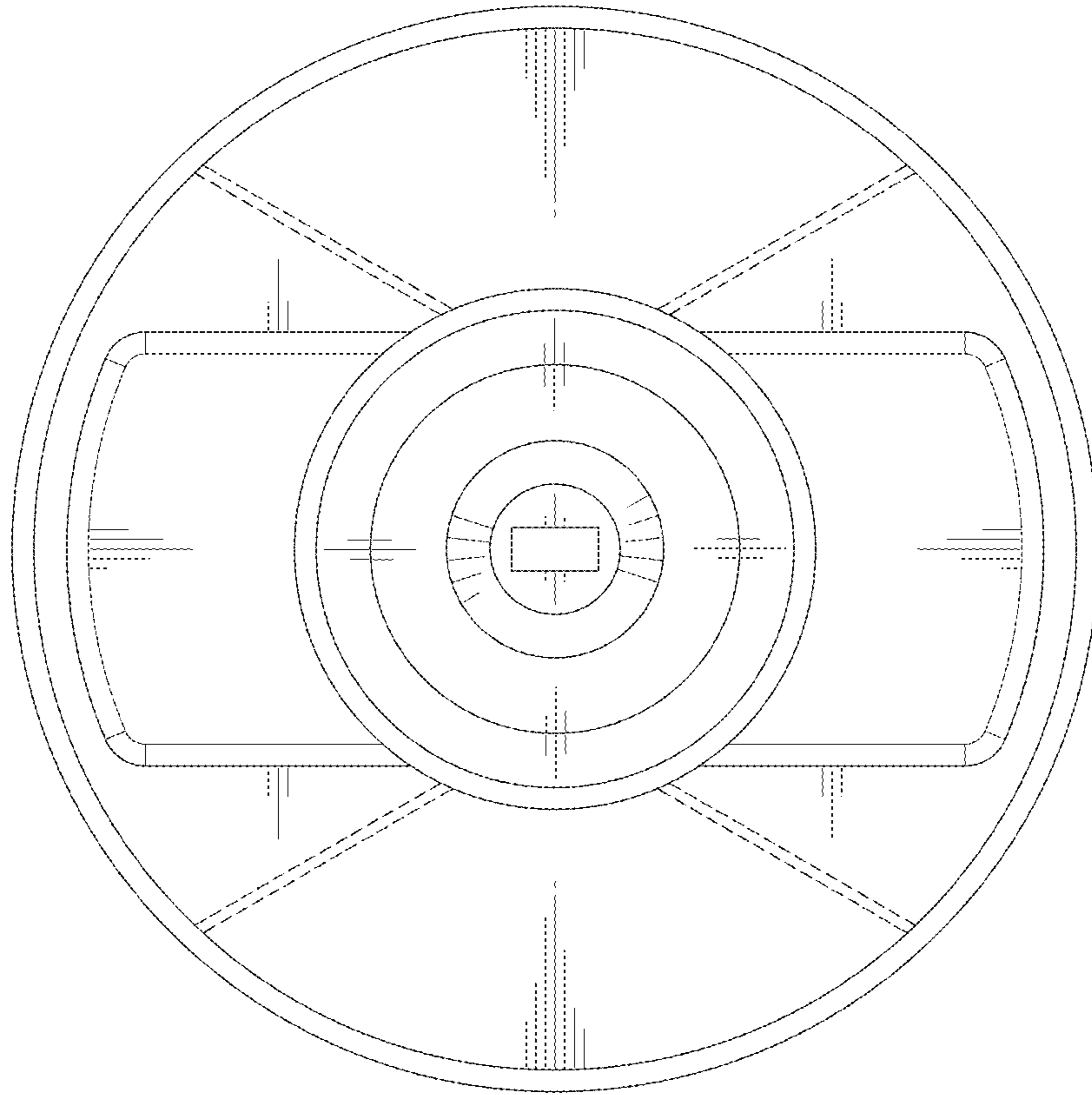


FIG. 9

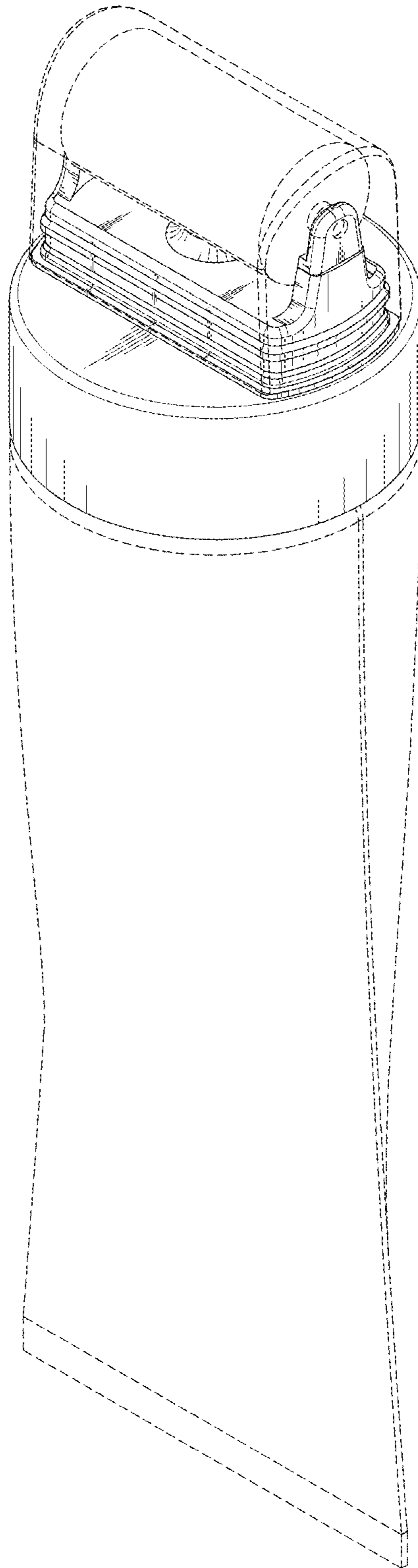


FIG. 10