



US00D981731S

(12) **United States Design Patent**
Zemel et al.

(10) **Patent No.:** **US D981,731 S**
(45) **Date of Patent:** **** Mar. 28, 2023**

(54) **GRILL BRUSH**
(71) Applicant: **Mr. Bar-B-Q Products LLC**,
Hauppauge, NY (US)
(72) Inventors: **Marc Zemel**, Hauppauge, NY (US);
Joanne Rudis, Hauppauge, NY (US)
(73) Assignee: **Mr. Bar-B-Q Products LLC**,
Hauppauge, NY (US)

2,498,803 A * 2/1950 Gentile A47L 17/04
D4/118
D160,736 S 10/1950 Racicot
2,573,770 A 11/1951 Meadow
2,732,096 A 1/1956 Siciliano
RE24,581 E 12/1958 Escaut
2,891,360 A 6/1959 Duffie
D189,235 S 11/1960 Racina
(Continued)

(**) Term: **15 Years**

CA 134959 S 11/2010

(21) Appl. No.: **29/825,601**

OTHER PUBLICATIONS

(22) Filed: **Feb. 3, 2022**

Amazon.com: Mr Bar B Q 06405 Hydro Grill Brush Blaster, review 2012, <https://www.amazon.com/06405-Hydro-Grill-Brush-Blaster/dp/B0043M5RJ0>, site visited Dec. 19, 2020.

(51) **LOC (14) Cl.** **04-01**

(52) **U.S. Cl.**
USPC **D4/118**

(Continued)

(58) **Field of Classification Search**
USPC D4/116-118, 121, 130, 132, 134, 138;
D32/35, 40-42, 46-49, 51, 52; D8/80,
D8/88, 94, 103, 300
CPC .. A46B 3/18; A46B 5/00; A46B 9/021; A46B
11/00; A46B 11/0003; A46B 2200/1053;
A45D 40/26; A45D 40/265
See application file for complete search history.

Primary Examiner — Keli L Hill
(74) *Attorney, Agent, or Firm* — Carter, DeLuca & Farrell
LLP

(57) **CLAIM**

The ornamental design for a grill brush, as shown and described.

(56) **References Cited**

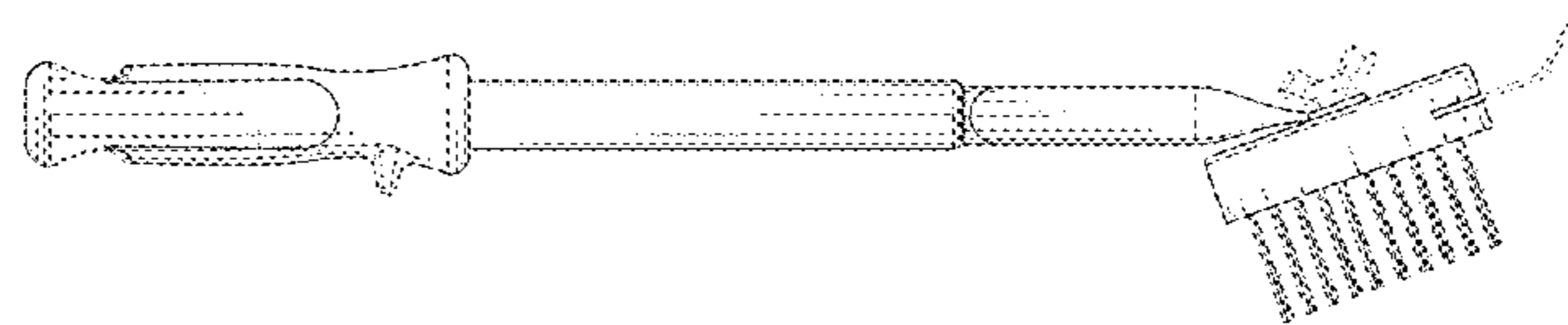
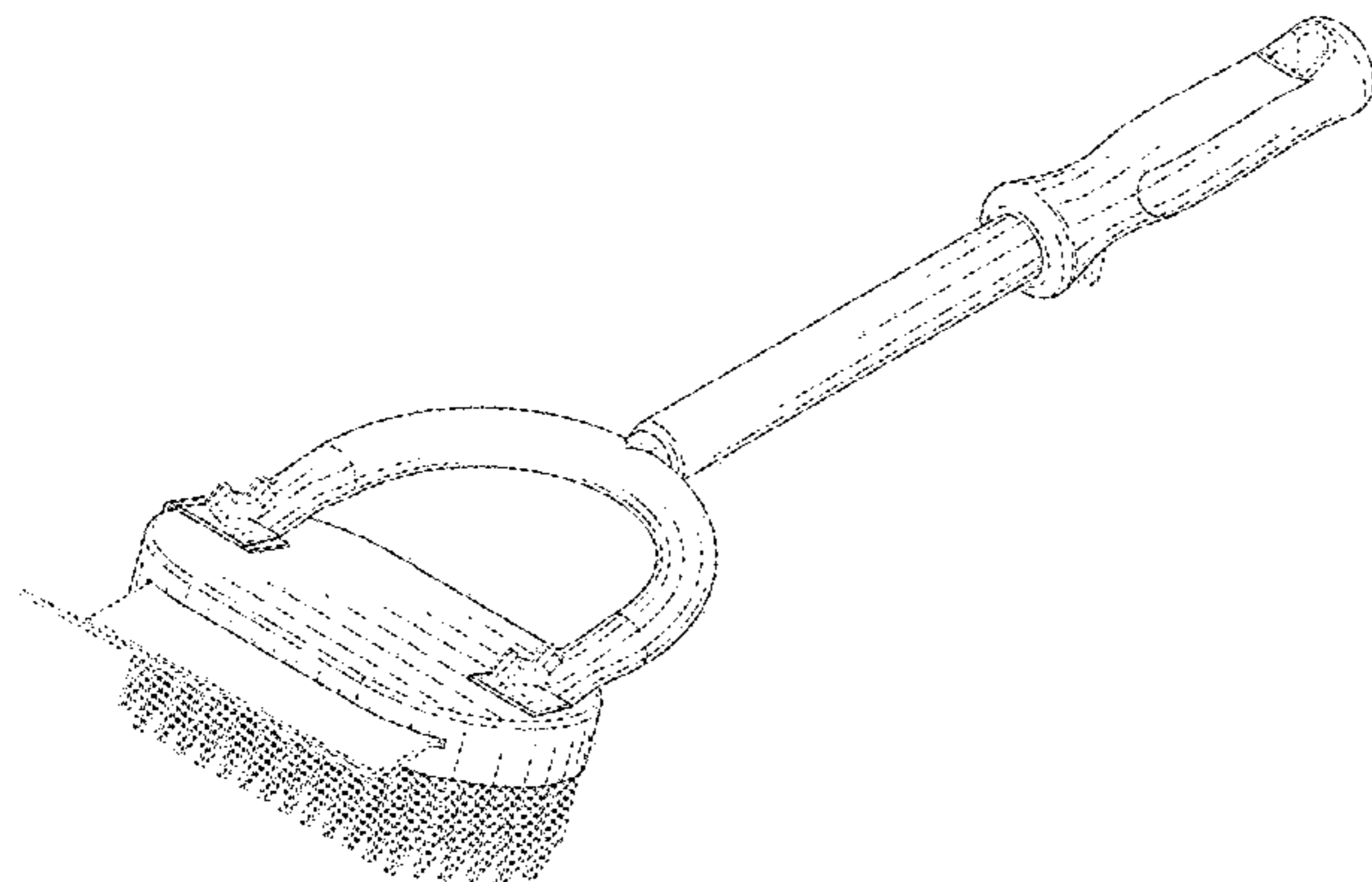
DESCRIPTION

U.S. PATENT DOCUMENTS

201,688 A 3/1878 Leiner
1,501,547 A 7/1924 Bassett
1,587,024 A 6/1926 Murphy
1,635,970 A 7/1927 Cave
2,021,158 A * 11/1935 Stearns B25G 3/00
D4/138
D104,029 S 4/1937 Gray
2,116,864 A 5/1938 Fehrenbach
2,167,196 A 7/1939 Bothum
2,186,832 A 1/1940 Hertzberg
D138,896 S 9/1944 Edmonds
D146,729 S 4/1947 Storm

FIG. 1 is a perspective view of a grill brush in accordance with the present design;
FIG. 2 is a left side elevational view thereof;
FIG. 3 is a right side elevational view thereof;
FIG. 4 is a front elevational view thereof;
FIG. 5 is a rear elevational view thereof;
FIG. 6 is a top plan view thereof; and,
FIG. 7 is a bottom plan view thereof.
The broken lines shown in the drawings illustrate portions of the grill brush that form no part of the claimed design.

1 Claim, 5 Drawing Sheets



(56)

References Cited

U.S. PATENT DOCUMENTS

3,629,895 A	12/1971	Colgan	D482,569 S	11/2003	Zemel
D223,314 S	4/1972	Goldfeder	D487,638 S	3/2004	Libman et al.
D227,623 S *	7/1973	Spydevold D4/134	D491,413 S	6/2004	Rosenthal
3,800,354 A *	4/1974	Stephens A47L 17/06 15/104.04	D492,543 S	7/2004	Munari
D236,071 S	7/1975	Zemke	D494,006 S	8/2004	Zemel
4,052,934 A	10/1977	Shinman	D494,807 S	8/2004	Zemel
4,056,863 A	11/1977	Gunjian	D496,558 S	9/2004	Zemel
D247,075 S	1/1978	Krusche	D499,852 S	12/2004	Truneczek
4,091,579 A	5/1978	Giangiulio	D502,001 S	2/2005	Hay
D249,621 S	9/1978	Ondrasik, II	D502,323 S	3/2005	Zemel
4,146,943 A	4/1979	Wertheimer et al.	D503,071 S	3/2005	Lu
4,167,796 A	9/1979	De Pamphilis	6,941,857 B2	9/2005	McLemore
4,730,949 A	3/1988	Wilson	D522,247 S	6/2006	Moore
4,819,291 A	4/1989	Gunjian	D523,198 S	6/2006	Veltrop
D305,468 S	1/1990	Yonkers	D523,601 S	6/2006	Veltrop
4,951,558 A	8/1990	Figliuzzi	D528,857 S	9/2006	Zemel
D344,634 S	3/1994	Berti	D529,333 S	10/2006	Zemel
D345,653 S	4/1994	Joyner et al.	D529,335 S	10/2006	Zemel
D346,698 S	5/1994	Hinnant	D531,853 S	11/2006	Zemel
D349,193 S	8/1994	Sloan et al.	D532,609 S	11/2006	Zemel
D355,529 S	2/1995	Tsai	D533,397 S	12/2006	Zemel
D358,491 S	5/1995	Hoagland	D534,001 S	12/2006	Zemel
D360,763 S	8/1995	Camp, Jr. et al.	D535,147 S	1/2007	Zemel
D362,793 S	10/1995	Khan et al.	D535,519 S	1/2007	Zemel
D362,937 S	10/1995	Camp, Jr. et al.	D540,543 S	4/2007	Hay
5,471,700 A	12/1995	Pereira	D544,213 S	6/2007	Dow et al.
D365,897 S	1/1996	Pereira	D544,714 S	6/2007	Zemel
5,479,673 A	1/1996	Carton	D544,750 S	6/2007	Zemel
D366,962 S	2/1996	Whitaker	D545,120 S	6/2007	Zemel
D369,472 S	5/1996	Laubach, III et al.	D545,121 S	6/2007	Zemel
D373,251 S	9/1996	Young	D547,553 S	7/2007	Borovicka et al.
D374,557 S	10/1996	Whitaker	D550,504 S	9/2007	Zemel
D381,483 S	7/1997	Hartman	D562,009 S	2/2008	Zemel
D392,104 S	3/1998	Berti	D562,062 S	2/2008	Zemel
D400,328 S	10/1998	Zemel	D562,064 S	2/2008	Zemel
5,826,494 A	10/1998	Wang	D562,563 S	2/2008	Wales
D403,165 S	12/1998	Ferrante et al.	D563,675 S	3/2008	Zemel
D411,368 S	6/1999	Liu	D563,677 S	3/2008	Zemel
D417,121 S	11/1999	Brunianyn	D564,292 S	3/2008	Zemel
D417,550 S	12/1999	Lu	D566,460 S	4/2008	Zemel
6,023,810 A	2/2000	Gessert	D567,511 S	4/2008	Borovicka
D422,792 S	4/2000	Liu	D569,174 S	5/2008	Zemel
D427,025 S	6/2000	Lee	D572,079 S	7/2008	Zemel
D427,858 S	7/2000	Zemel	D572,080 S	7/2008	Zemel
D429,889 S	8/2000	Fielding	D574,184 S	8/2008	Zemel
6,103,291 A	8/2000	Fernandez Tapia	D577,495 S	9/2008	Borovicka
D431,753 S	10/2000	Cohen et al.	D578,826 S	10/2008	Lu
D431,960 S	10/2000	Hay	D579,269 S	10/2008	Zemel
D437,691 S	2/2001	Weiss	D579,668 S	11/2008	Zemel
6,216,306 B1	4/2001	Esterson et al.	D580,659 S	11/2008	Zemel
D442,026 S	5/2001	Rae	D584,514 S	1/2009	Dale et al.
D445,257 S	7/2001	Hay	D587,871 S	3/2009	van Deursen
D445,654 S	7/2001	Yu	D588,318 S	3/2009	van Deursen
6,269,737 B1	8/2001	Rigney	D588,868 S	3/2009	Zemel
D448,973 S	10/2001	Hay et al.	D589,705 S	4/2009	Zemel
D454,003 S	3/2002	Saxon	D590,600 S	4/2009	Dow et al.
D455,272 S	4/2002	Zemel	D597,740 S	8/2009	Borovicka et al.
D456,207 S	4/2002	Zemel	D601,345 S	10/2009	Wales
D456,614 S	5/2002	Zemel	D601,346 S	10/2009	Wales
D456,615 S	5/2002	Zemel	D601,347 S	10/2009	Wales
D456,667 S	5/2002	Veltri et al.	D601,350 S	10/2009	Wales
6,438,784 B1	8/2002	Yu	D601,808 S	10/2009	Wales
6,443,646 B1	9/2002	MacDonald	7,632,033 B2	12/2009	Wales
D463,952 S	10/2002	Zemel	D609,015 S	2/2010	Borovicka
D465,336 S	11/2002	Zemel	D616,204 S	5/2010	Zemel
D466,307 S	12/2002	Cantrell	D618,499 S	6/2010	Zemel
6,499,174 B2	12/2002	Henrie	D622,542 S	8/2010	Zemel
D468,107 S	1/2003	Shen	D629,650 S	12/2010	Funka, Jr. et al.
D470,985 S	2/2003	Zemel	D631,289 S	1/2011	Tuli
D471,365 S	3/2003	Henrie	D632,088 S	2/2011	Zemel
D474,644 S	5/2003	Zemel	7,909,526 B2	3/2011	Wales
D476,525 S	7/2003	Zemel	8,032,974 B2	10/2011	Carpenter
D481,906 S	11/2003	Knor	8,067,716 B1	11/2011	Lloyd
D482,566 S	11/2003	Zemel	D650,590 S	12/2011	Carlson et al.
			D652,629 S	1/2012	Zemel
			D653,036 S	1/2012	Fifer
			D653,073 S	1/2012	Difante
			D654,272 S	2/2012	Zemel
			D655,093 S	3/2012	Raven

(56)

References Cited

U.S. PATENT DOCUMENTS

D655,511 S 3/2012 Zemel
 8,146,284 B2 4/2012 Smith
 D658,433 S 5/2012 Zemel
 D658,894 S 5/2012 Zemel
 D658,937 S 5/2012 Zemel
 D659,925 S 5/2012 Zemel
 D660,141 S 5/2012 Zemel
 D661,906 S 6/2012 Zemel
 D663,125 S 7/2012 Zemel
 D663,159 S 7/2012 Zemel
 D663,531 S 7/2012 Zemel
 D664,363 S 7/2012 Rothman
 D665,178 S 8/2012 Zemel
 D690,115 S 9/2013 Zemel et al.
 D690,116 S 9/2013 Zemel et al.
 D690,153 S 9/2013 Zemel
 D690,943 S 10/2013 Pelo
 D691,379 S 10/2013 Gunjian
 D695,019 S 12/2013 Zemel et al.
 8,615,838 B1 12/2013 Lu
 D699,037 S 2/2014 Morrison
 D699,949 S 2/2014 Zemel et al.
 D701,389 S 3/2014 Gunjian
 D702,996 S 4/2014 Zemel et al.
 8,713,739 B1 5/2014 Alas et al.
 D720,106 S 12/2014 Zemel
 D720,933 S 1/2015 Albers
 D733,495 S 7/2015 Tyson
 9,101,205 B2 8/2015 Gunjian
 D737,626 S 9/2015 Lu
 D741,605 S 10/2015 Witzel
 D748,399 S 2/2016 Lu
 D753,403 S 4/2016 Zemel et al.
 D753,404 S 4/2016 Zemel
 D753,890 S 4/2016 Zemel et al.
 D755,012 S 5/2016 Zemel et al.
 D756,660 S 5/2016 Zemel et al.

D758,684 S 6/2016 Lawson
 9,357,832 B2 6/2016 Gonzalez et al.
 D763,581 S 8/2016 Zemel et al.
 D773,242 S 12/2016 Zemel et al.
 D778,107 S 2/2017 Keating
 D784,073 S 4/2017 Keating
 D789,095 S 6/2017 Wales
 D833,153 S 11/2018 Zemel
 D850,045 S * 5/2019 Borovicka D32/46
 D861,271 S 9/2019 Zemel
 D861,272 S 9/2019 Wong
 10,500,709 B2 12/2019 Seufferer
 D910,951 S 2/2021 Zemel et al.
 2003/0070246 A1 4/2003 Cavalheiro
 2005/0011029 A1 1/2005 Yu
 2009/0031519 A1 2/2009 Carpenter
 2009/0188061 A1 7/2009 Cybulski et al.
 2012/0079667 A1 4/2012 Ashner, II
 2012/0198639 A1 8/2012 Smith
 2014/0250617 A1 9/2014 Gunjian
 2015/0230660 A1 8/2015 Roth
 2015/0327659 A1 11/2015 Gunjian
 2017/0055689 A1 3/2017 Gunjian

OTHER PUBLICATIONS

Amazon.com: Cornucopia Griddle Scraper/Grill Scraper, reviews 2018, <https://www.amazon.com/Cornucopia-Brands-Commercial-Replacement-Restaurant-Style/dp/B01N27UPF0#customerReviews>, site visited Dec. 19, 2020.
 All Points 85-1213 Grill Scraper, Webstaurant review 2017, <https://www.webstaurantstore.com/all-points-85-1213-grill-scraper-with-6-blade/AP8512> . . . site visited Dec. 19, 2020.
 KitchenAid, Triple Action Grill Cleaning Brush, posted at The Home Depot [online], posting date not available [site visited Mar. 18, 2016]. Available from the Internet, <URL: <http://www.homedepot.com/p/KitchenAid-Triple-Action-Grill-Cleaning-Brush--530-0057/206409957>>.

* cited by examiner

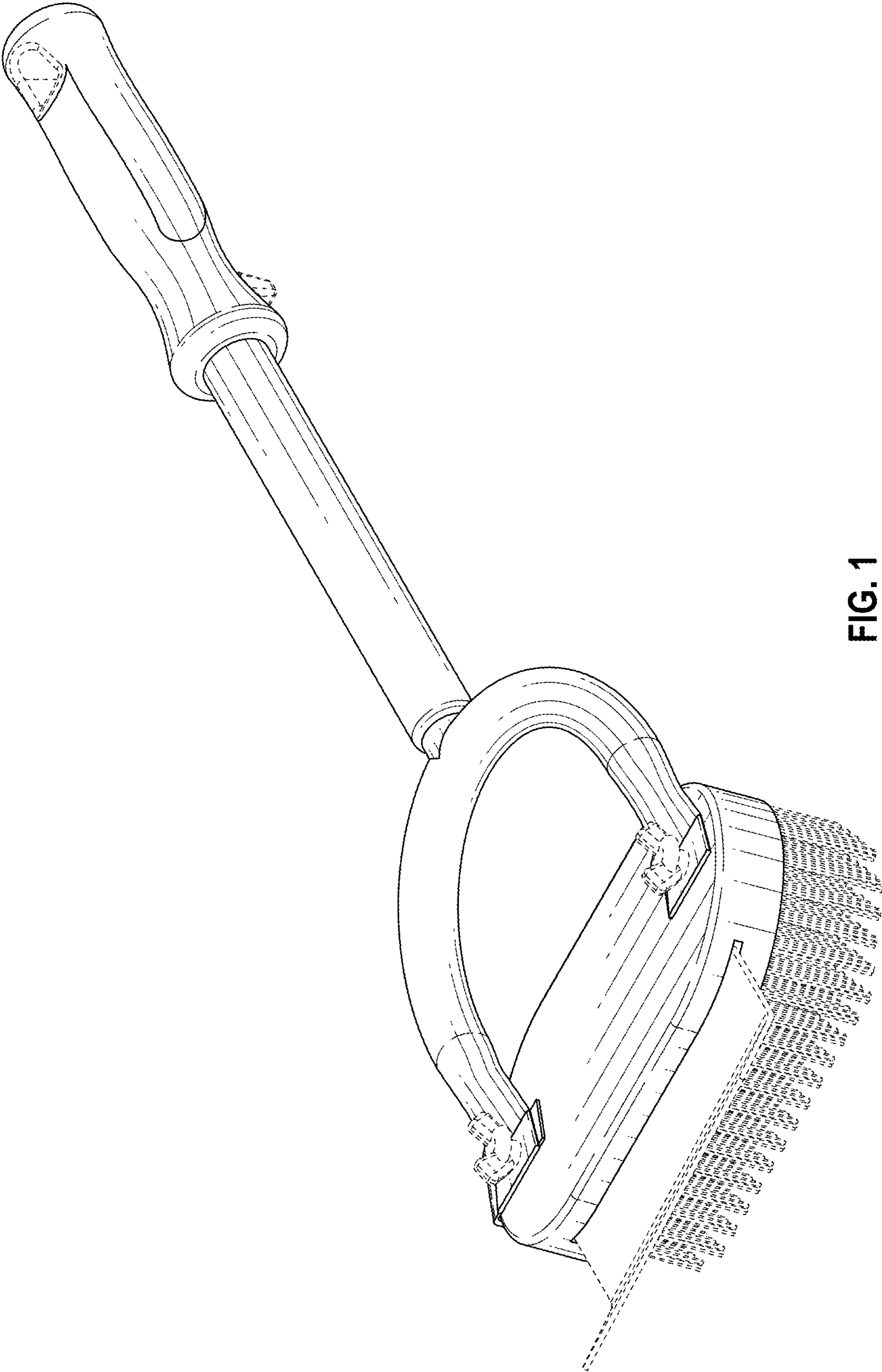


FIG. 1

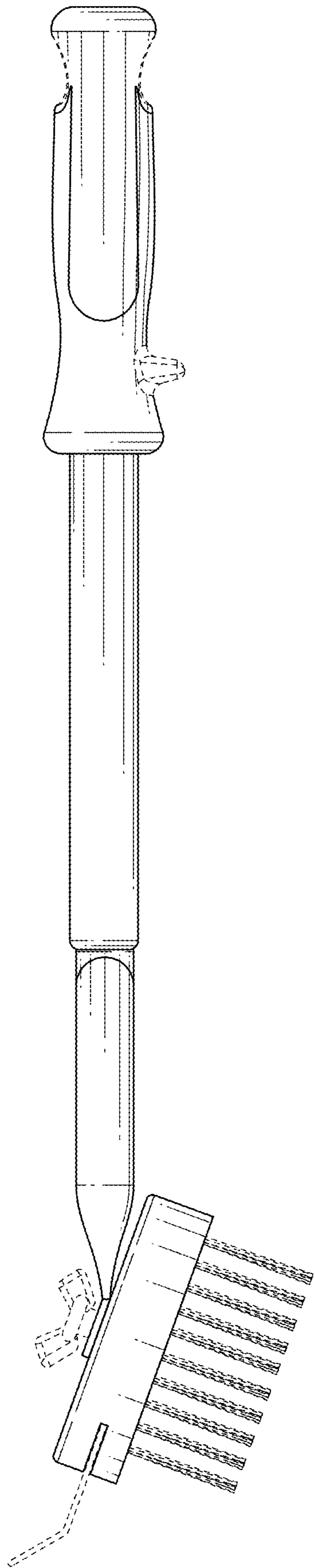


FIG. 2

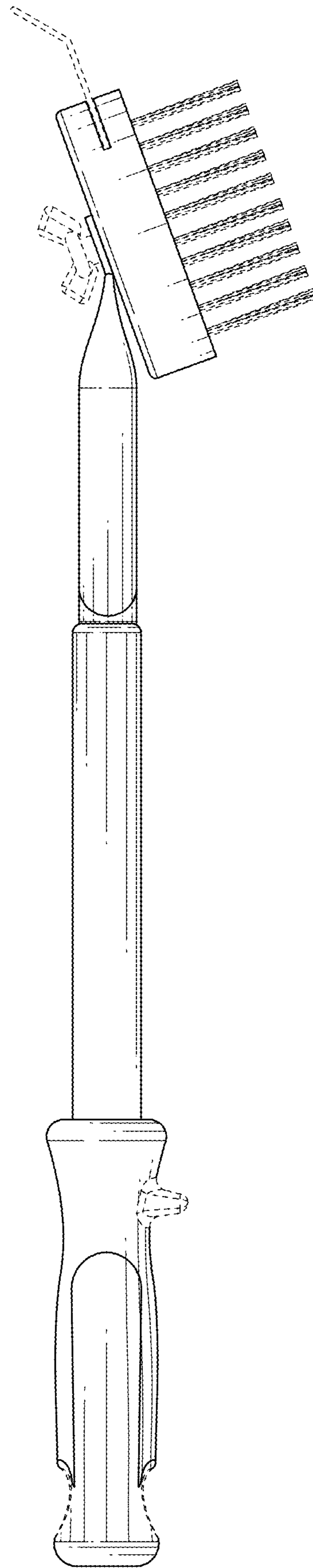


FIG. 3

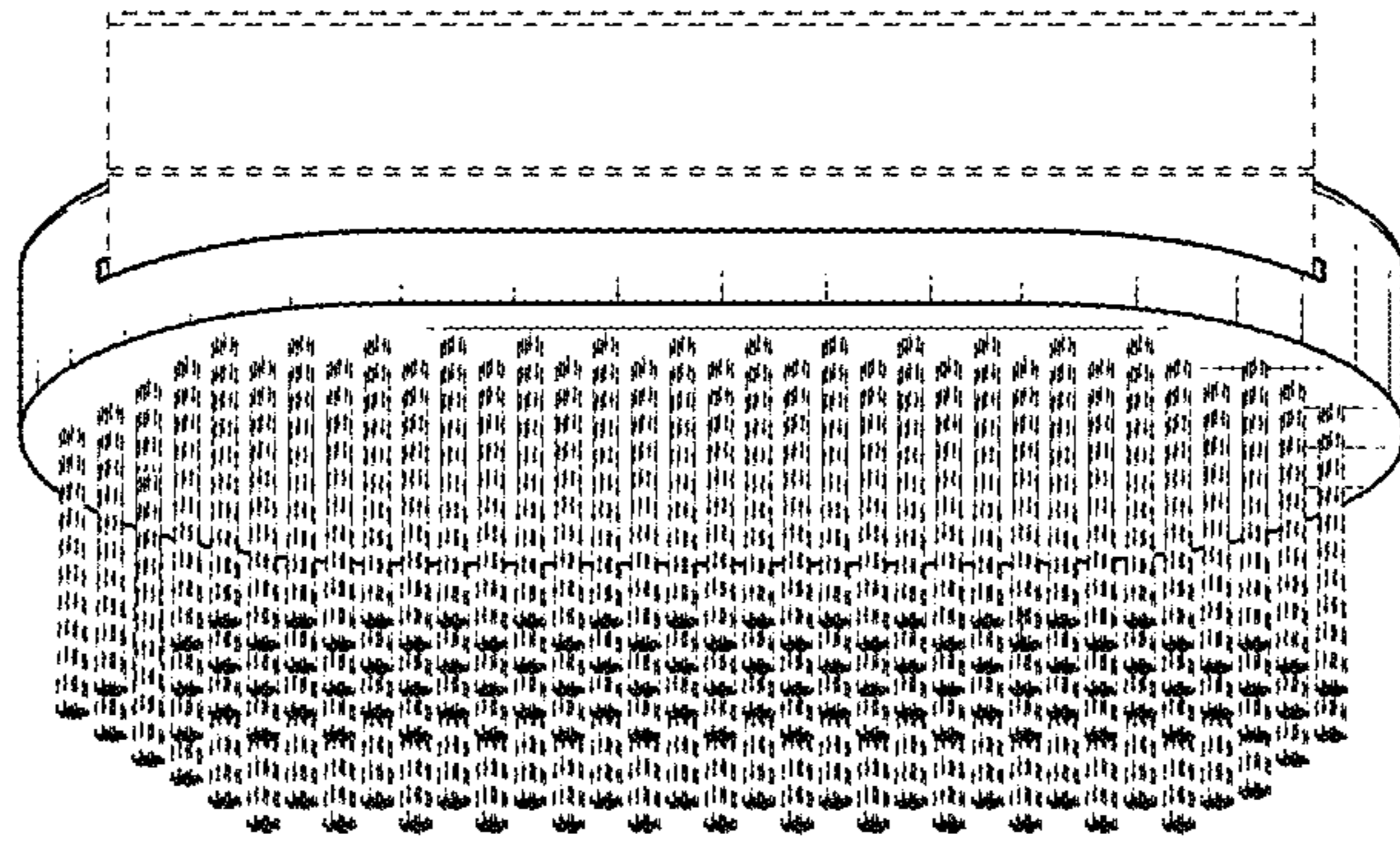


FIG. 4

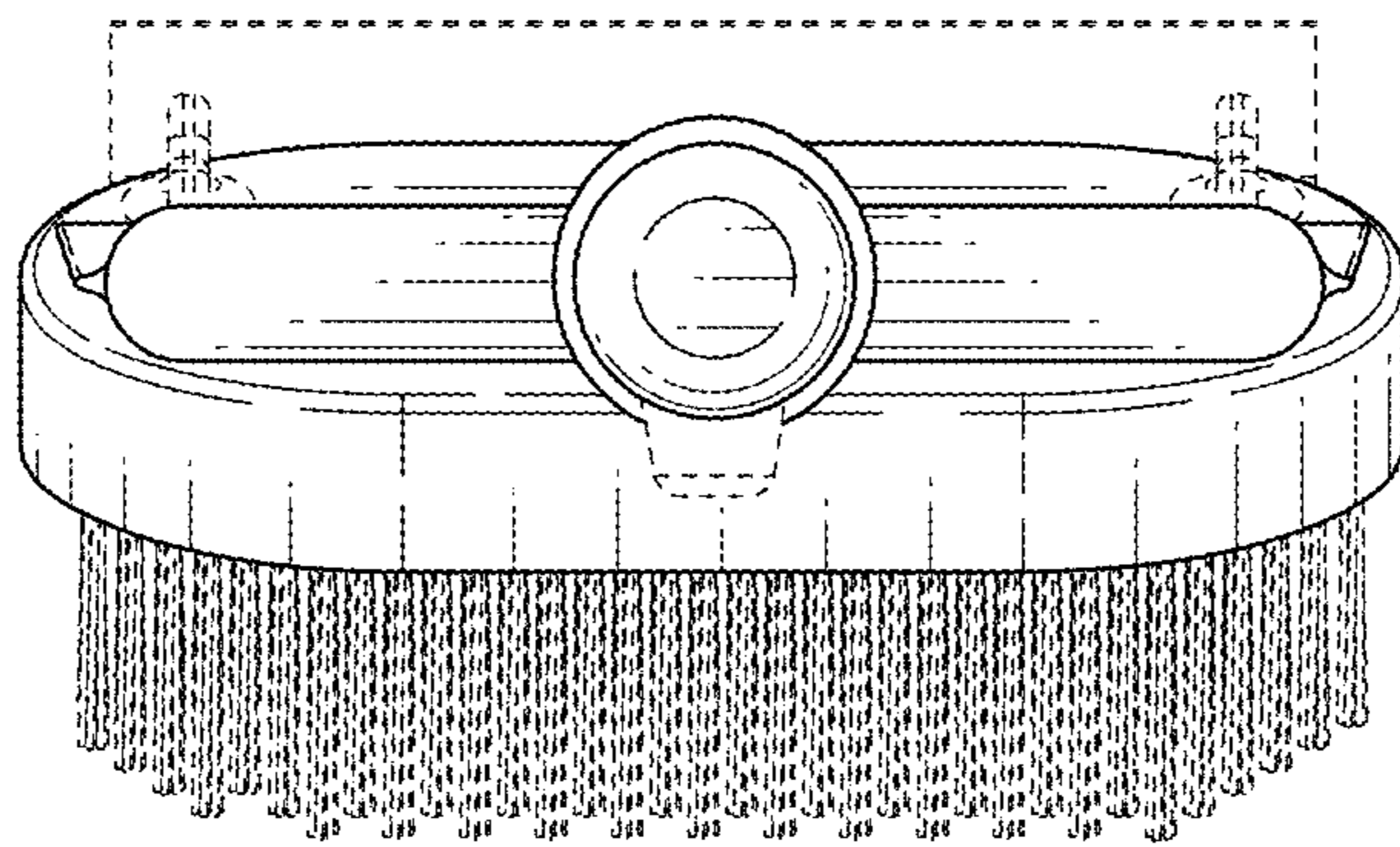


FIG. 5

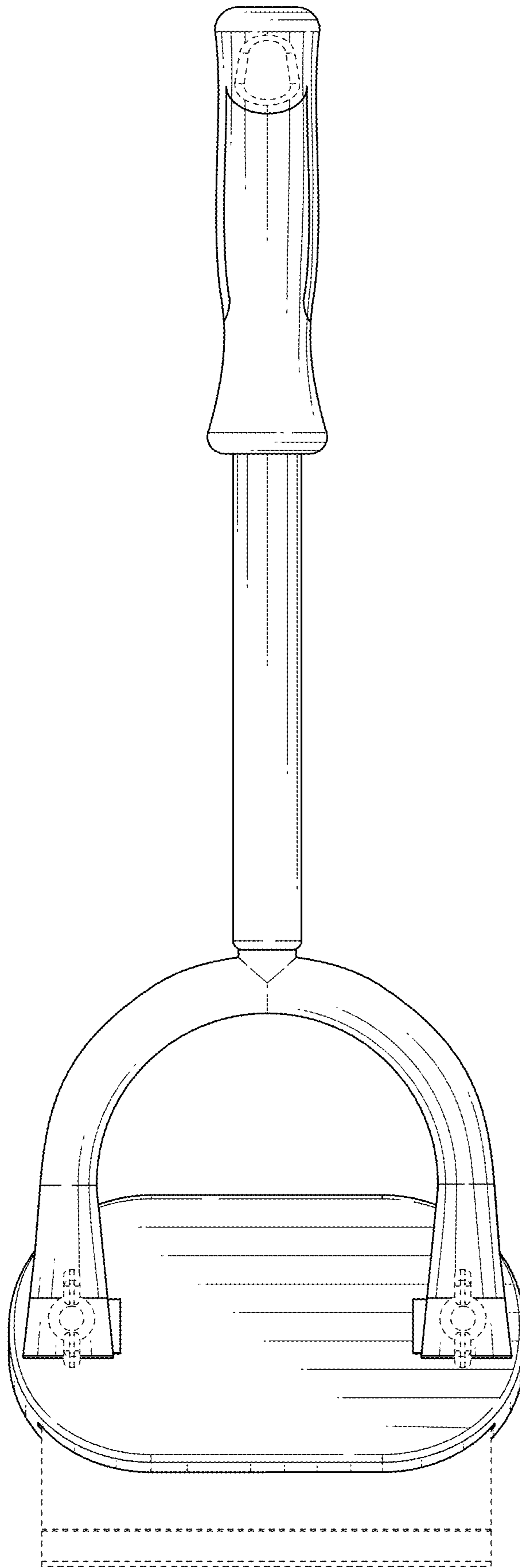


FIG. 6

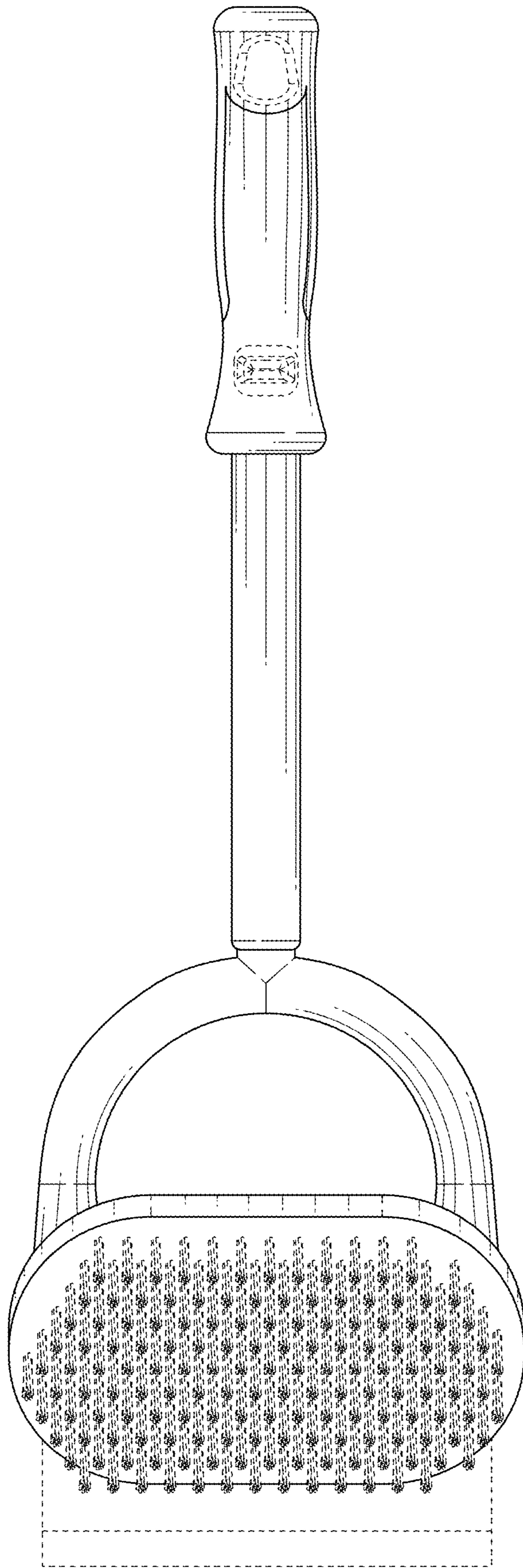


FIG. 7