



US00D981730S

(12) **United States Design Patent** (10) **Patent No.:** **US D981,730 S**
Zemel et al. (45) **Date of Patent:** **** Mar. 28, 2023**

(54) **GRILL BRUSH**
(71) Applicant: **Mr. Bar-B-Q Products LLC**,
Hauppauge, NY (US)
(72) Inventors: **Marc Zemel**, Hauppauge, NY (US);
Joanne Rudis, Hauppauge, NY (US)
(73) Assignee: **Mr. Bar-B-Q Products LLC**,
Hauppauge, NY (US)

2,732,096 A 1/1956 Siciliano
RE24,581 E 12/1958 Escout
2,891,360 A 6/1959 Duffie
D189,235 S 11/1960 Racina
3,629,895 A 12/1971 Colgan
(Continued)

FOREIGN PATENT DOCUMENTS

CA 134959 S 11/2010

OTHER PUBLICATIONS

Amazon.com : Mr Bar B Q 06405 Hydro Grill Brush Blaster, review
2012, <https://www.amazon.com/06405-Hydro-Grill-Brush-Blaster/dp/B0043M5RJ0>, site visited Dec. 19, 2020.

(Continued)

Primary Examiner — Keli L Hill

(74) *Attorney, Agent, or Firm* — Carter, Deluca & Farrell
LLP

(57) **CLAIM**

The ornamental design for a grill brush, as shown and
described.

DESCRIPTION

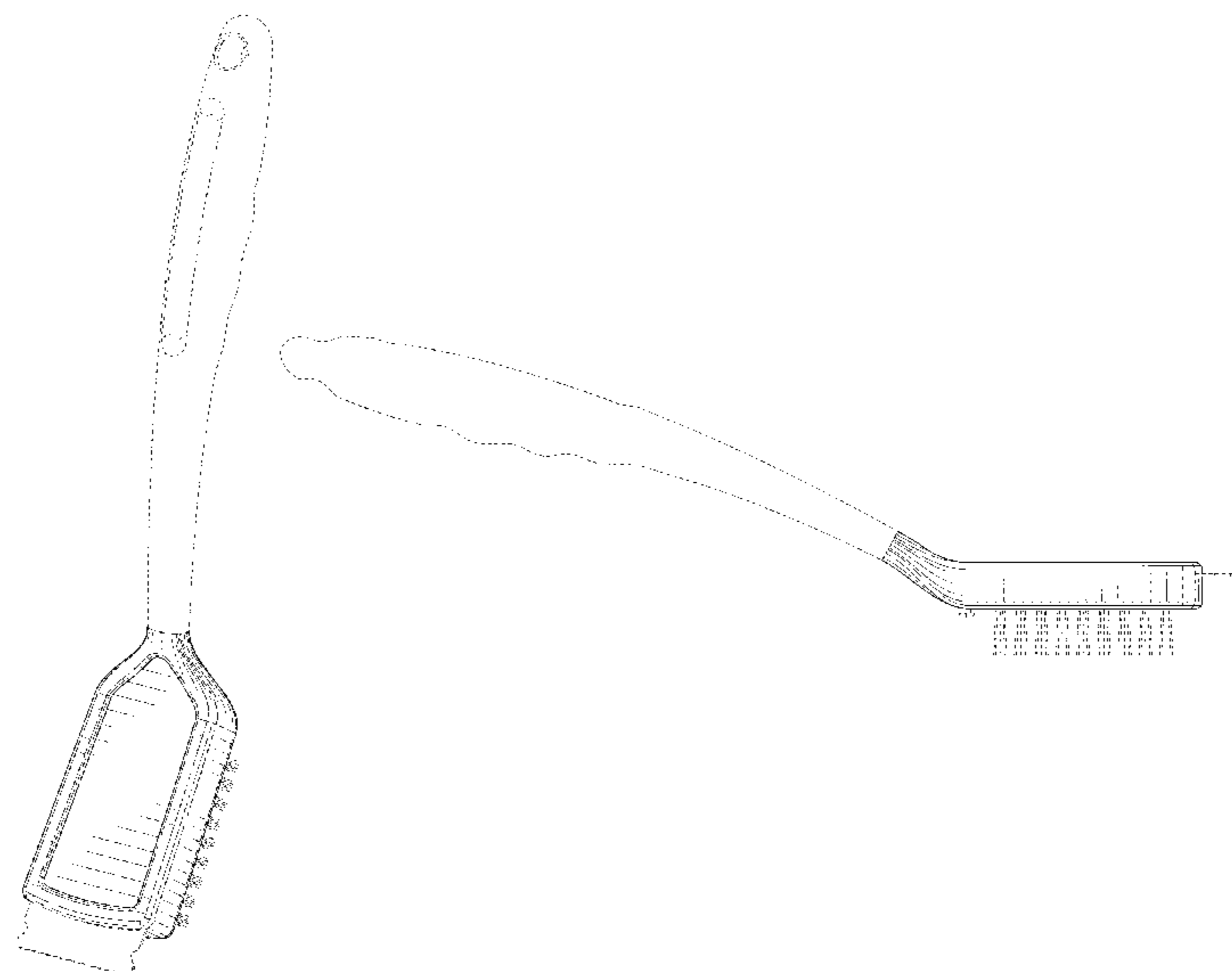
FIG. 1 is a perspective view of a grill brush in accordance
with the present design;
FIG. 2 is a front elevational view thereof,
FIG. 3 is a rear elevational view thereof;
FIG. 4 is a right side elevational view thereof;
FIG. 5 is a left side elevational view thereof;
FIG. 6 is a top plan view thereof; and,
FIG. 7 is a bottom plan view thereof.
The dot-dash broken lines immediately adjacent the shaded
areas represent the bounds of the claimed design while all
other broken lines are included for the purpose of illustrating
portions of the grill brush; the broken lines form no part of
the claimed design.

1 Claim, 5 Drawing Sheets

(**) Term: **15 Years**
(21) Appl. No.: **29/805,518**
(22) Filed: **Aug. 27, 2021**
(51) **LOC (14) Cl.** **04-01**
(52) **U.S. Cl.**
USPC **D4/118**
(58) **Field of Classification Search**
USPC D4/116–118, 121, 130, 132, 134, 138;
D32/35, 40–42, 46–49, 51, 52; D8/80,
D8/88, 94, 103, 300
CPC .. A46B 3/18; A46B 5/00; A46B 9/021; A46B
11/00; A46B 11/0003; A46B 2200/1053;
A45D 40/26; A45D 40/265
See application file for complete search history.

(56) **References Cited**
U.S. PATENT DOCUMENTS

201,688 A 3/1878 Leiner
1,501,547 A 7/1924 Bassett
1,587,024 A 6/1926 Murphy
1,635,970 A 7/1927 Cave
D104,029 S 4/1937 Gray
2,116,864 A 5/1938 Fehrenbach
2,167,196 A 7/1939 Bothum
2,186,832 A 1/1940 Hertzberg
D138,896 S 9/1944 Edmonds
D146,729 S 4/1947 Storm
D160,736 S 10/1950 Racicot
2,573,770 A 11/1951 Meadow



(56)

References Cited

U.S. PATENT DOCUMENTS

D223,314 S	4/1972	Goldfeder	D494,006 S	8/2004	Zemel	
D236,071 S	7/1975	Zemke	D494,807 S	8/2004	Zemel	
4,052,934 A	10/1977	Shinman	D496,558 S	9/2004	Zemel	
4,056,863 A	11/1977	Gunjian	D499,852 S	12/2004	Trunecek	
D247,075 S	1/1978	Krusche	D502,001 S	2/2005	Hay	
4,091,579 A	5/1978	Giangiulio	D502,323 S	3/2005	Zemel	
D249,621 S	9/1978	Ondrasik, II	D503,071 S	3/2005	Lu	
4,146,943 A	4/1979	Wertheimer et al.	6,941,857 B2	9/2005	McLemore	
4,167,796 A	9/1979	De Pamphilis	D513,127 S *	12/2005	Hay	D4/134
4,730,949 A	3/1988	Wilson	D522,247 S	6/2006	Moore	
4,819,291 A	4/1989	Gunjian	D523,198 S	6/2006	Velthrop	
D305,468 S	1/1990	Yonkers	D523,601 S	6/2006	Velthrop	
4,951,558 A	8/1990	Figliuzzi	D528,857 S	9/2006	Zemel	
D344,634 S	3/1994	Berti	D529,333 S	10/2006	Zemel	
D345,653 S	4/1994	Joyner et al.	D529,335 S	10/2006	Zemel	
D346,698 S	5/1994	Hinnant	D531,853 S	11/2006	Zemel	
D349,193 S	8/1994	Sloan et al.	D532,609 S	11/2006	Zemel	
D355,529 S	2/1995	Tsai	D533,397 S	12/2006	Zemel	
D358,491 S	5/1995	Hoagland	D534,001 S	12/2006	Zemel	
D360,763 S	8/1995	Camp, Jr. et al.	D535,147 S	1/2007	Zemel	
D362,793 S	10/1995	Khan et al.	D535,519 S	1/2007	Zemel	
D362,937 S	10/1995	Camp, Jr. et al.	D540,543 S	4/2007	Hay	
5,471,700 A	12/1995	Pereira	D544,213 S	6/2007	Dow et al.	
D365,897 S	1/1996	Pereira	D544,714 S	6/2007	Zemel	
5,479,673 A	1/1996	Carton	D544,750 S	6/2007	Zemel	
D366,962 S	2/1996	Whitaker	D545,120 S	6/2007	Zemel	
D369,472 S	5/1996	Laubach, III et al.	D545,121 S	6/2007	Zemel	
D373,251 S	9/1996	Young	D547,553 S	7/2007	Borovicka et al.	
D374,557 S	10/1996	Whitaker	D550,504 S	9/2007	Zemel	
D381,483 S	7/1997	Hartman	D562,009 S	2/2008	Zemel	
D392,104 S	3/1998	Berti	D562,062 S	2/2008	Zemel	
D400,328 S	10/1998	Zemel	D562,064 S	2/2008	Zemel	
5,826,494 A	10/1998	Wang	D562,563 S	2/2008	Wales	
D403,165 S	12/1998	Ferrante et al.	D563,675 S	3/2008	Zemel	
D411,368 S	6/1999	Liu	D563,677 S	3/2008	Zemel	
D417,121 S	11/1999	Brunianyn	D564,292 S	3/2008	Zemel	
D417,550 S	12/1999	Lu	D566,460 S	4/2008	Zemel	
6,023,810 A	2/2000	Gessert	D567,511 S	4/2008	Borovicka	
D422,792 S	4/2000	Liu	D569,174 S	5/2008	Zemel	
D427,025 S	6/2000	Lee	D572,079 S	7/2008	Zemel	
D427,858 S	7/2000	Zemel	D572,080 S	7/2008	Zemel	
D429,889 S	8/2000	Fielding	D574,184 S	8/2008	Zemel	
6,103,291 A	8/2000	Fernandez Tapia	D577,495 S	9/2008	Borovicka	
D431,753 S	10/2000	Cohen et al.	D578,826 S	10/2008	Lu	
D431,960 S	10/2000	Hay	D579,269 S	10/2008	Zemel	
D437,691 S	2/2001	Weiss	D579,668 S	11/2008	Zemel	
6,216,306 B1	4/2001	Esterson et al.	D580,659 S	11/2008	Zemel	
D442,026 S	5/2001	Rae	D584,514 S	1/2009	Dale et al.	
D445,257 S	7/2001	Hay	D587,871 S	3/2009	van Deursen	
D445,654 S	7/2001	Yu	D588,318 S	3/2009	van Deursen	
6,269,737 B1	8/2001	Rigney	D588,868 S	3/2009	Zemel	
D448,973 S	10/2001	Hay et al.	D589,705 S	4/2009	Zemel	
D454,003 S	3/2002	Saxon	D590,600 S	4/2009	Dow et al.	
D455,272 S	4/2002	Zemel	D595,057 S *	6/2009	Dow	D4/137
D456,207 S	4/2002	Zemel	D597,740 S	8/2009	Borovicka et al.	
D456,614 S	5/2002	Zemel	D601,345 S	10/2009	Wales	
D456,615 S	5/2002	Zemel	D601,346 S	10/2009	Wales	
D456,667 S	5/2002	Veltri et al.	D601,347 S	10/2009	Wales	
6,438,784 B1	8/2002	Yu	D601,350 S	10/2009	Wales	
6,443,646 B1	9/2002	MacDonald	D601,808 S	10/2009	Wales	
D463,952 S	10/2002	Zemel	7,632,033 B2	12/2009	Wales	
D465,336 S	11/2002	Zemel	D609,015 S	2/2010	Borovicka	
D466,307 S	12/2002	Cantrell	D616,204 S	5/2010	Zemel	
6,499,174 B2	12/2002	Henrie	D618,499 S	6/2010	Zemel	
D468,107 S	1/2003	Shen	D622,542 S	8/2010	Zemel	
D470,985 S	2/2003	Zemel	D629,650 S	12/2010	Funka, Jr. et al.	
D471,365 S	3/2003	Henrie	D631,289 S	1/2011	Tuli	
D474,644 S	5/2003	Zemel	D632,088 S	2/2011	Zemel	
D476,525 S	7/2003	Zemel	7,909,526 B2	3/2011	Wales	
D481,906 S	11/2003	Knor	8,032,974 B2	10/2011	Carpenter	
D482,566 S	11/2003	Zemel	8,067,716 B1	11/2011	Lloyd	
D482,569 S	11/2003	Zemel	D650,590 S	12/2011	Carlson et al.	
D487,638 S	3/2004	Libman et al.	D652,629 S	1/2012	Zemel	
D491,413 S	6/2004	Rosenthal	D653,036 S	1/2012	Fifer	
D492,543 S	7/2004	Munari	D653,073 S	1/2012	Difante	
			D654,272 S	2/2012	Zemel	
			D655,093 S	3/2012	Raven	
			D655,511 S	3/2012	Zemel	
			8,146,284 B2	4/2012	Smith	

(56)

References Cited

U.S. PATENT DOCUMENTS

D658,433 S 5/2012 Zemel
 D658,894 S 5/2012 Zemel
 D658,937 S 5/2012 Zemel
 D659,925 S 5/2012 Zemel
 D660,141 S 5/2012 Zemel
 D661,906 S 6/2012 Zemel
 D663,125 S 7/2012 Zemel
 D663,159 S 7/2012 Zemel
 D663,531 S 7/2012 Zemel
 D664,363 S 7/2012 Rothman
 D665,178 S 8/2012 Zemel
 D690,115 S 9/2013 Zemel et al.
 D690,116 S 9/2013 Zemel et al.
 D690,153 S 9/2013 Zemel
 D690,943 S 10/2013 Pelo
 D691,379 S 10/2013 Gunjian
 D695,019 S 12/2013 Zemel et al.
 8,615,838 B1 12/2013 Lu
 D699,037 S 2/2014 Morrison
 D699,949 S 2/2014 Zemel et al.
 D701,389 S 3/2014 Gunjian
 D702,996 S 4/2014 Zemel et al.
 D704,451 S * 5/2014 Schouten A47L 13/12
 D4/138
 8,713,739 B1 5/2014 Alas et al.
 D720,106 S 12/2014 Zemel
 D720,933 S 1/2015 Albers
 D733,495 S 7/2015 Tyson
 9,101,205 B2 8/2015 Gunjian
 D737,626 S 9/2015 Lu
 D741,605 S 10/2015 Witzel
 D748,399 S 2/2016 Lu
 D753,403 S 4/2016 Zemel et al.
 D753,404 S 4/2016 Zemel
 D753,890 S 4/2016 Zemel et al.
 D755,012 S 5/2016 Zemel et al.
 D756,660 S 5/2016 Zemel et al.

D758,684 S 6/2016 Lawson
 9,357,832 B2 6/2016 Gonzalez et al.
 D763,581 S 8/2016 Zemel et al.
 D773,242 S 12/2016 Zemel et al.
 D778,107 S 2/2017 Keating
 D784,073 S 4/2017 Keating
 D789,095 S 6/2017 Wales
 D833,153 S 11/2018 Zemel
 D861,271 S 9/2019 Zemel
 D861,272 S 9/2019 Wong
 10,500,709 B2 12/2019 Seuferer
 D910,951 S 2/2021 Zemel et al.
 2003/0070246 A1 4/2003 Cavalheiro
 2005/0011029 A1* 1/2005 Yu A47L 13/12
 15/236.08
 2009/0031519 A1 2/2009 Carpenter
 2009/0188061 A1 7/2009 Cybulski et al.
 2012/0079667 A1 4/2012 Ashner, II
 2012/0198639 A1 8/2012 Smith
 2014/0250617 A1 9/2014 Gunjian
 2015/0230660 A1 8/2015 Roth
 2015/0327659 A1 11/2015 Gunjian
 2017/0055689 A1 3/2017 Gunjian

OTHER PUBLICATIONS

Amazon.com : Cornucopia Griddle Scraper/Grill Scraper, reviews 2018, <https://www.amazon.com/Cornucopia-Brands-Commercial-Replacement-Restaurant-Style/dp/B01N27UPF0#customerReviews>, site visited Dec. 19, 2020.
 All Points 85-1213 Grill Scraper, Webstaurant review 2017, <https://www.webstaurantstore.com/all-points-85-1213-grill-scraper-with-6-blade/AP8512> . . . site visited Dec. 19, 2020.
 KitchenAid, Triple Action Grill Cleaning Brush, posted at The Home Depot [online], posting date not available [site visited Mar. 18, 2016]. Available from the Internet, <URL: <http://www.homedepot.com/p/KitchenAid-Triple-Action-Grill-Cleaning-Brush--530-0057/206409957>>.

* cited by examiner

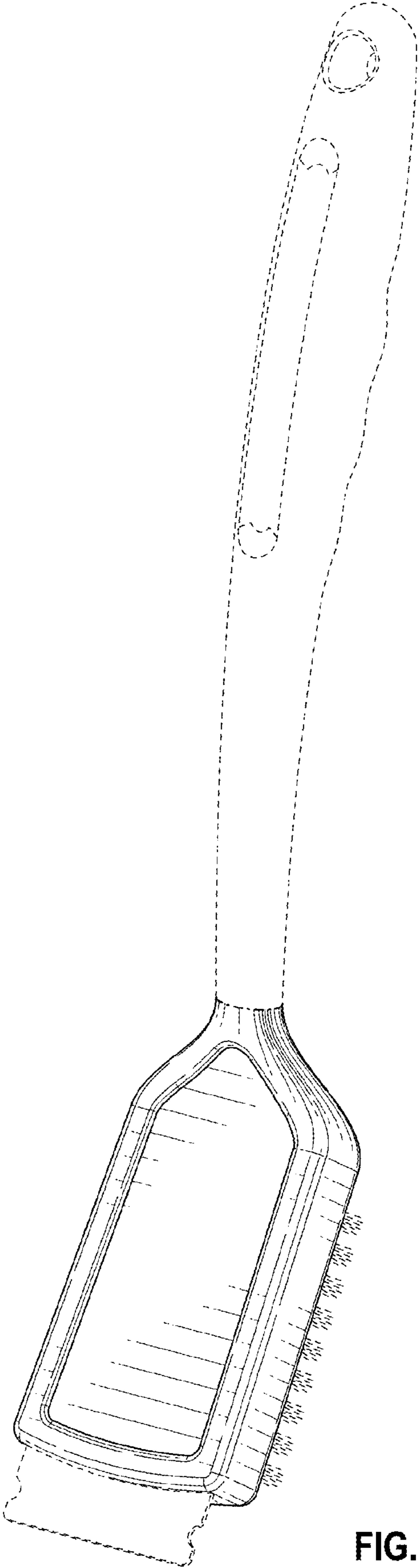


FIG. 1

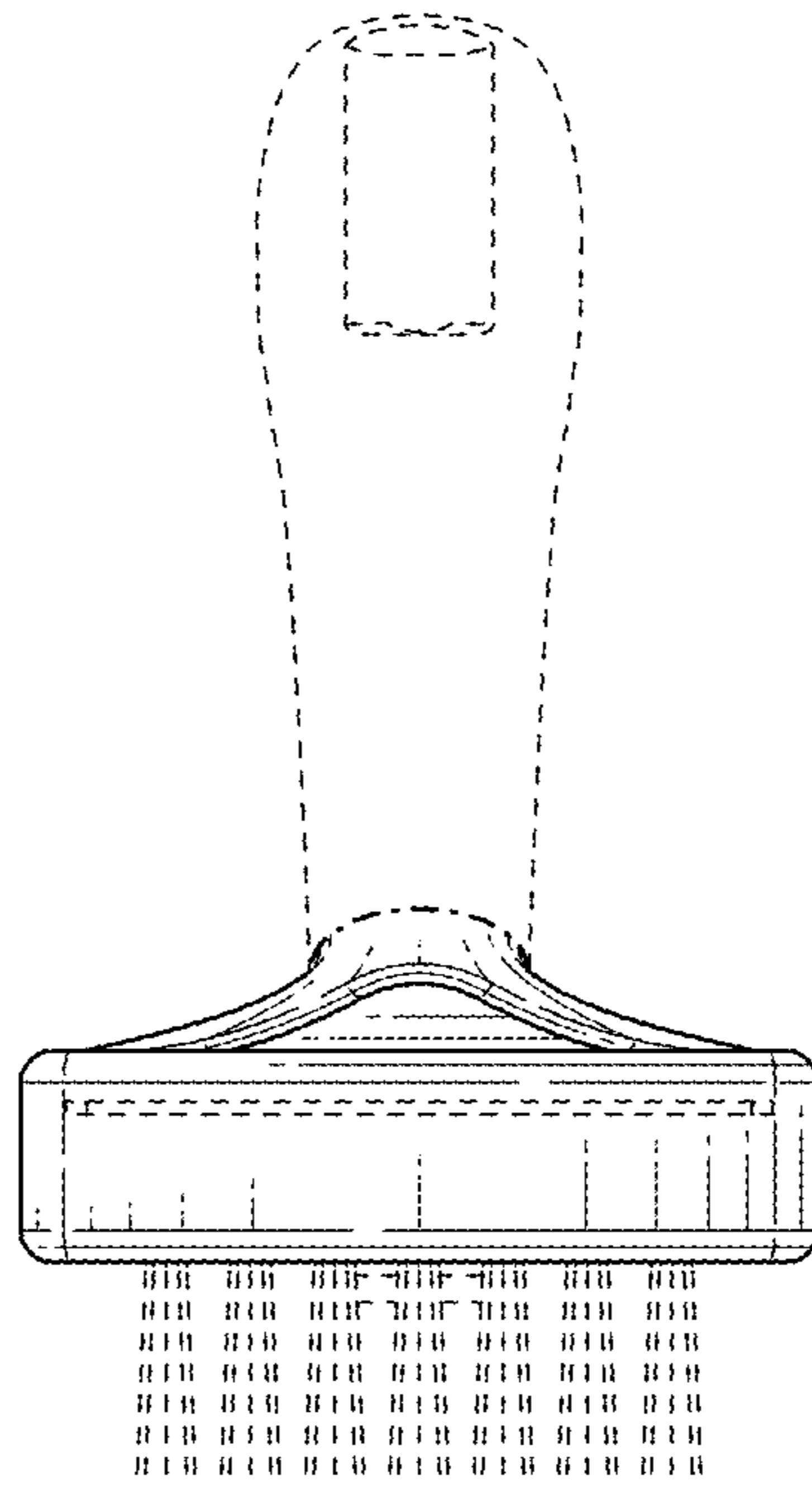


FIG. 2

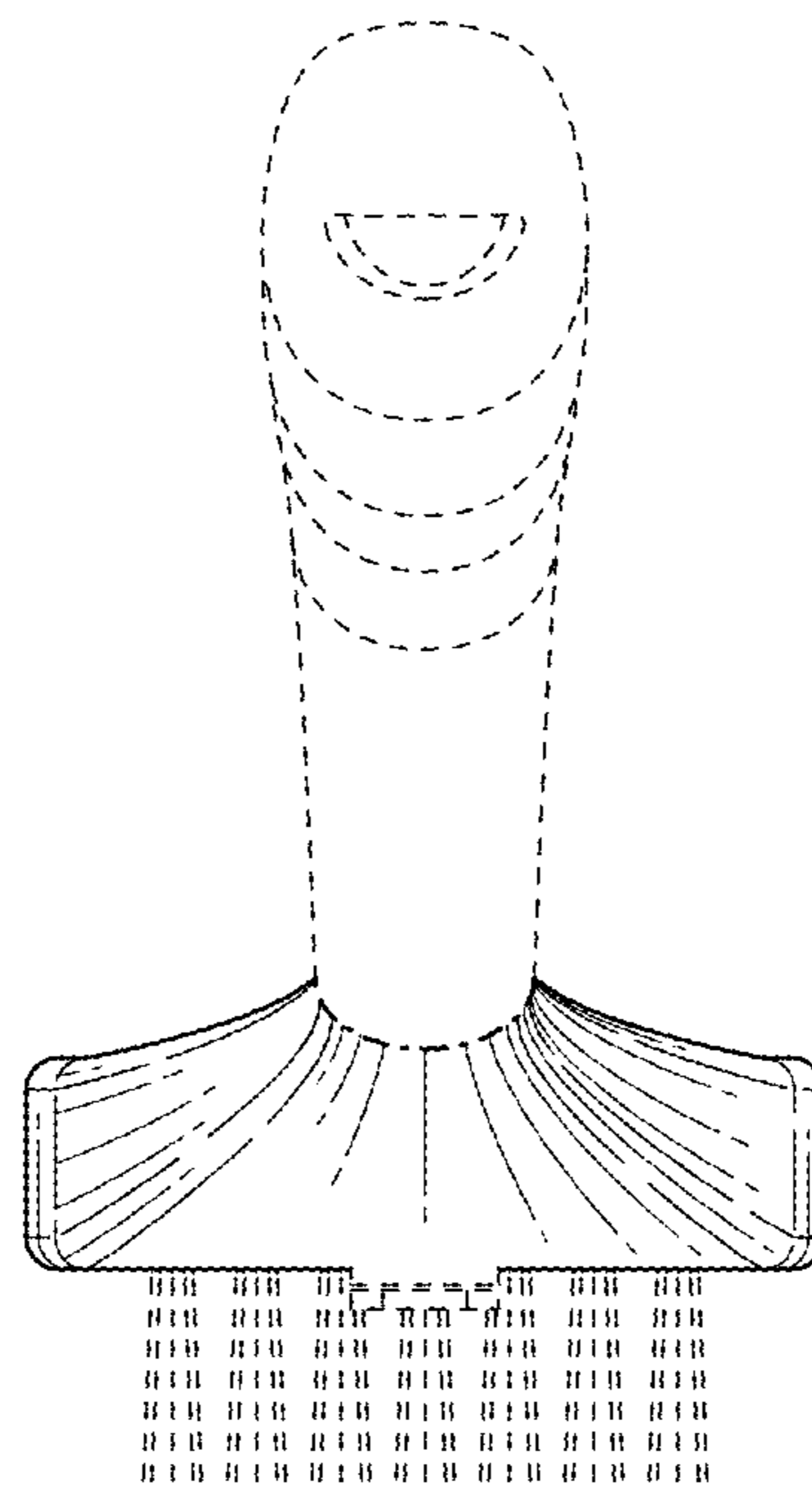


FIG. 3

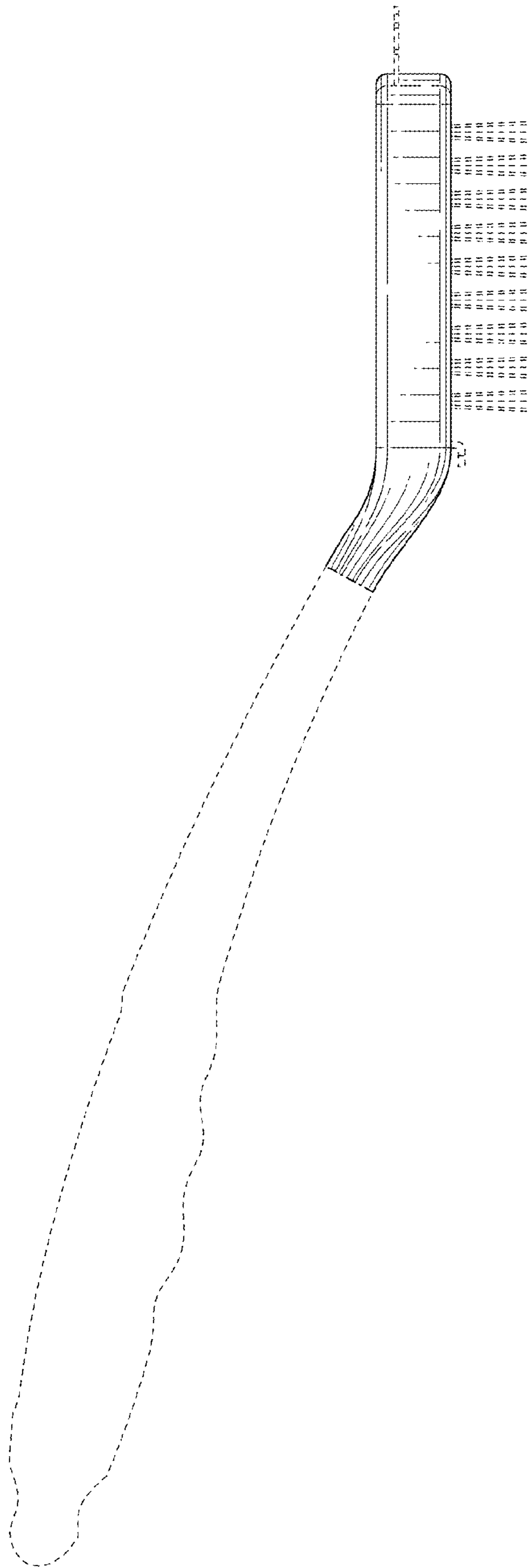


FIG. 4

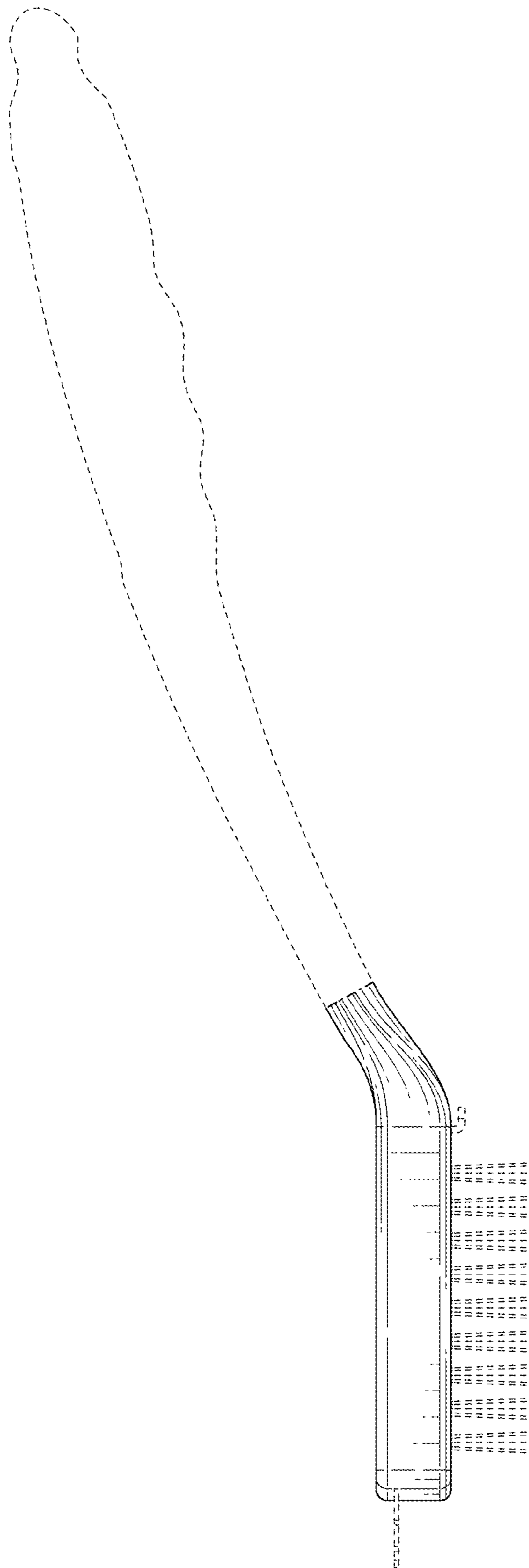


FIG. 5

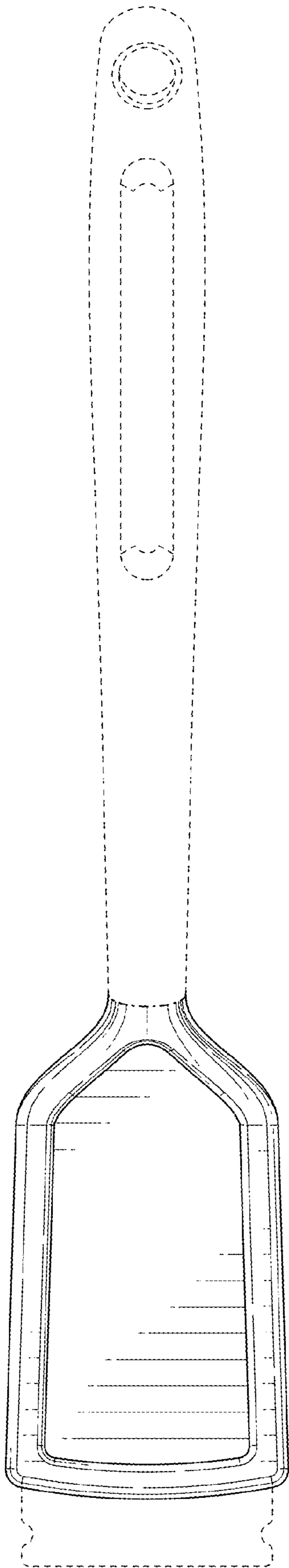


FIG. 6

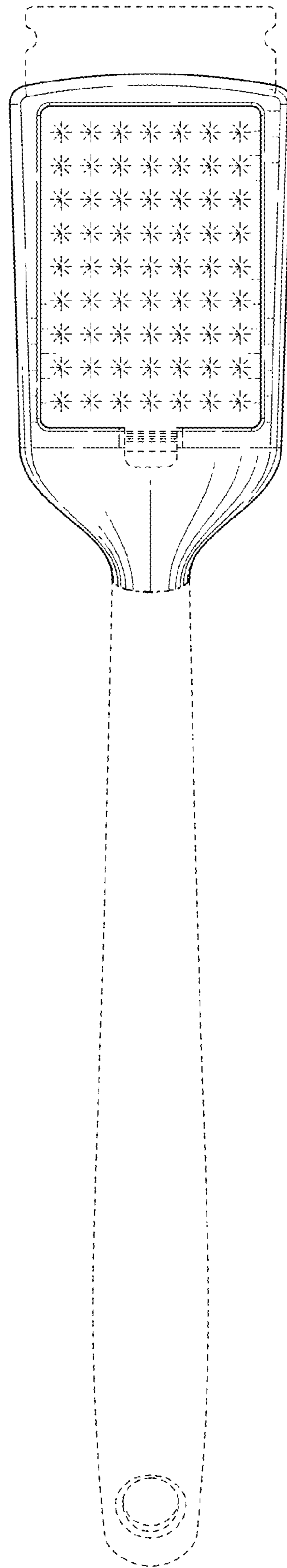


FIG. 7