



US00D981723S

(12) **United States Design Patent**
He et al.

(10) **Patent No.:** **US D981,723 S**
(45) **Date of Patent:** **** Mar. 28, 2023**

(54) **ELECTRIC TOOTHBRUSH HEAD**

(71) Applicant: **Shenzhen Huohu Technology Co., Ltd.**, Guangdong (CN)

(72) Inventors: **Huajie He**, Guangdong (CN); **Shuai Yuan**, Guangdong (CN); **Mingfeng He**, Guangdong (CN)

(73) Assignee: **Shenzhen Huohu Technology Co., Ltd.**, Shenzhen (CN)

(**) Term: **15 Years**

(21) Appl. No.: **29/795,015**

(22) Filed: **Jun. 16, 2021**

(51) **LOC (14) Cl.** **04-02**

(52) **U.S. Cl.**
USPC **D4/110**

(58) **Field of Classification Search**
USPC D4/110, 100-104, 111
CPC A61C 17/34
See application file for complete search history.

D868,476 S * 12/2019 Papazian D4/101
D868,481 S * 12/2019 Papazian D4/104
D902,600 S * 11/2020 Altmann D4/101
D906,679 S * 1/2021 Yang D4/101
D907,368 S * 1/2021 Yang D4/101
D907,369 S * 1/2021 Yang D4/101
D935,189 S * 11/2021 He D4/101
D935,190 S * 11/2021 He D4/101
D935,191 S * 11/2021 He D4/101
D935,194 S * 11/2021 Yang D4/110
D950,959 S * 5/2022 Liu D4/101
D953,039 S * 5/2022 Altmann D4/101
D958,542 S * 7/2022 Zhou D4/101
D961,268 S * 8/2022 Kuang D4/101
D962,650 S * 9/2022 Huang D4/101
D964,040 S * 9/2022 Feng D4/101
2018/0140404 A1 * 5/2018 Schaefer A61C 17/34

* cited by examiner

Primary Examiner — Rhea Shields

(57) **CLAIM**

The ornamental design for an electric toothbrush head, as shown and described.

DESCRIPTION

FIG. 1 is a perspective view of an electric toothbrush head showing my new design;
FIG. 2 is a front view thereof;
FIG. 3 is a back view thereof;
FIG. 4 is a left side view thereof;
FIG. 5 is a right side view thereof;
FIG. 6 is a top view thereof; and,
FIG. 7 is a bottom view thereof.

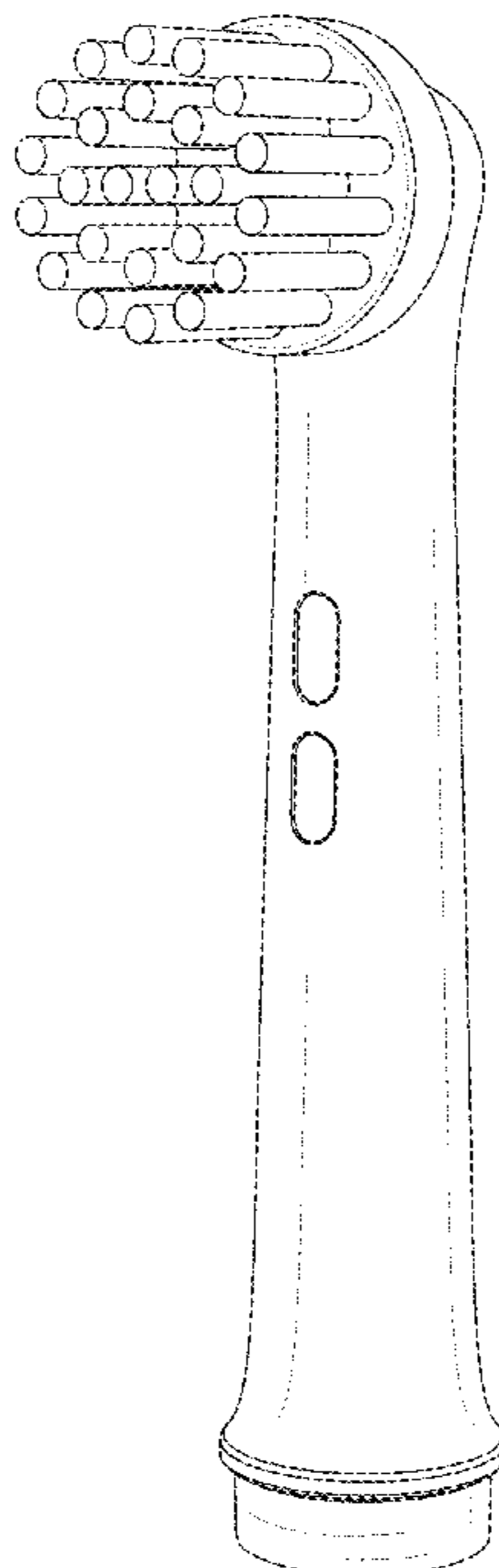
The broken lines in the drawing illustrate portions of the electric toothbrush head that form no part of the claimed design.

1 Claim, 7 Drawing Sheets

(56) **References Cited**

U.S. PATENT DOCUMENTS

D487,636 S 3/2004 De Salvo
D577,199 S * 9/2008 Zhuan D4/111
D689,698 S * 9/2013 Dickie D4/111
D706,033 S * 6/2014 Dickie D4/111
D775,469 S * 1/2017 Sikora D4/102
D805,306 S * 12/2017 Massee D4/101
D824,174 S * 7/2018 Altmann D4/101
D830,699 S * 10/2018 Liu D4/101
D831,358 S * 10/2018 Altmann D4/111
D846,881 S * 4/2019 Altmann D4/101
D854,834 S * 7/2019 Altmann D4/111



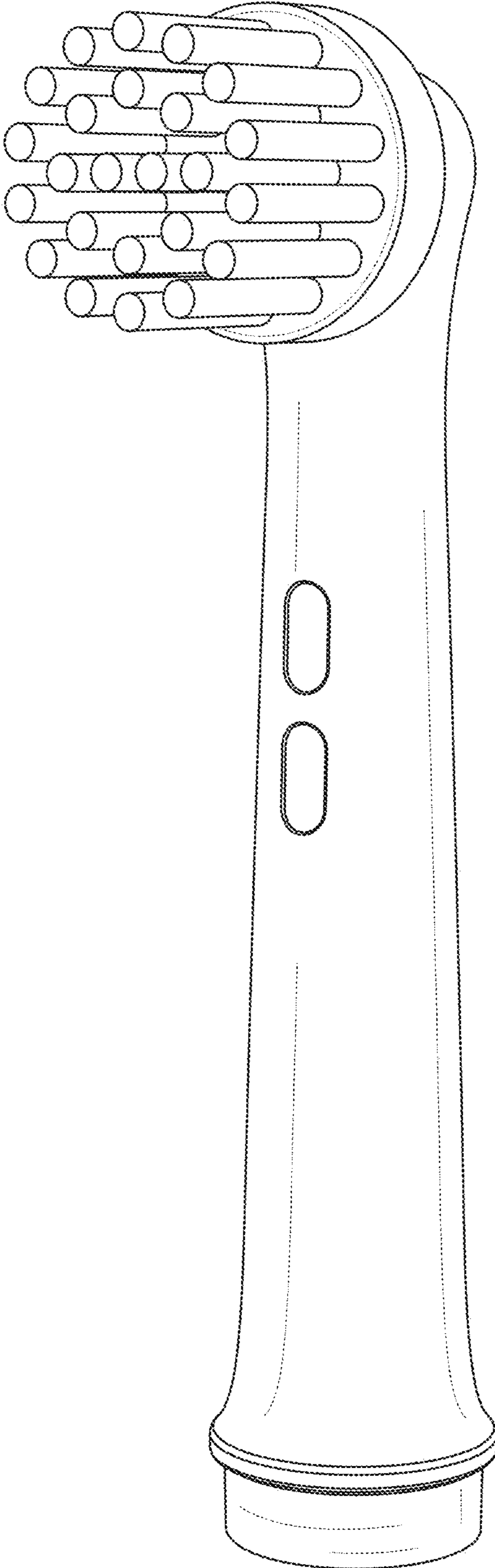


FIG 1

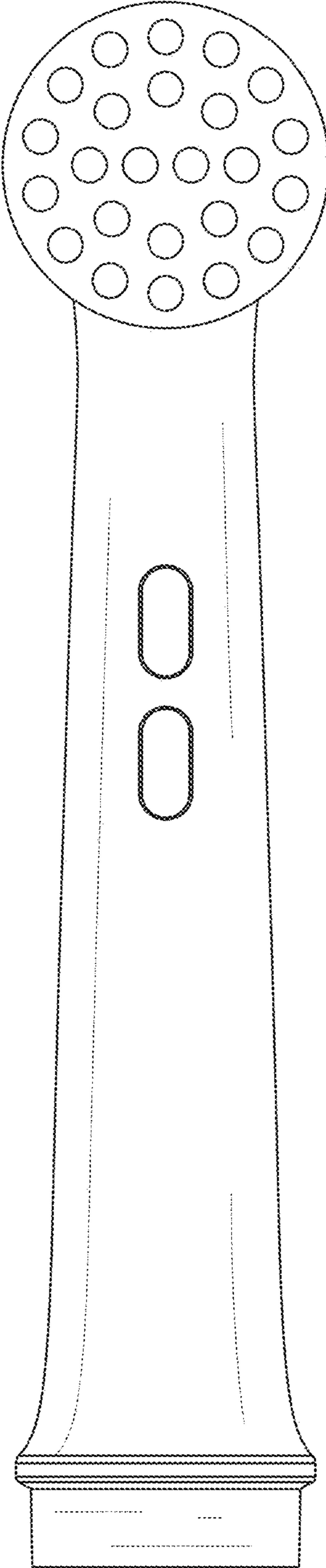


FIG 2

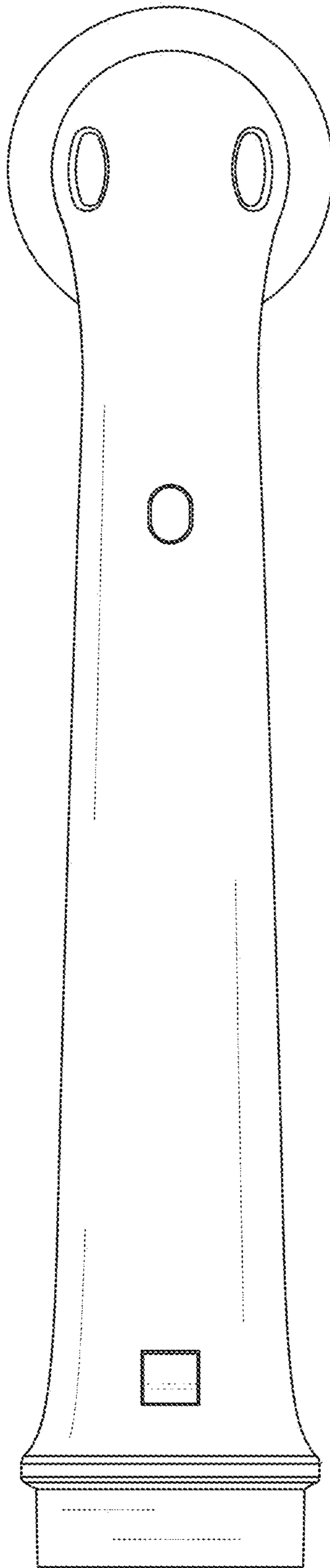


FIG 3

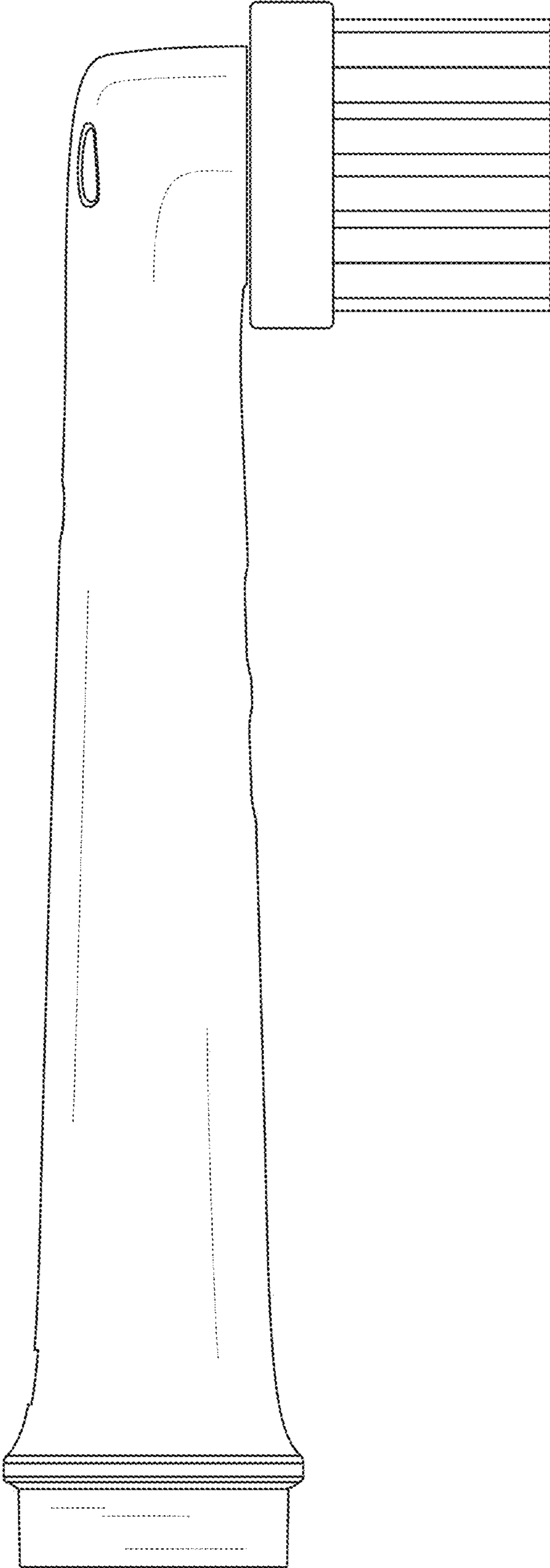


FIG 4

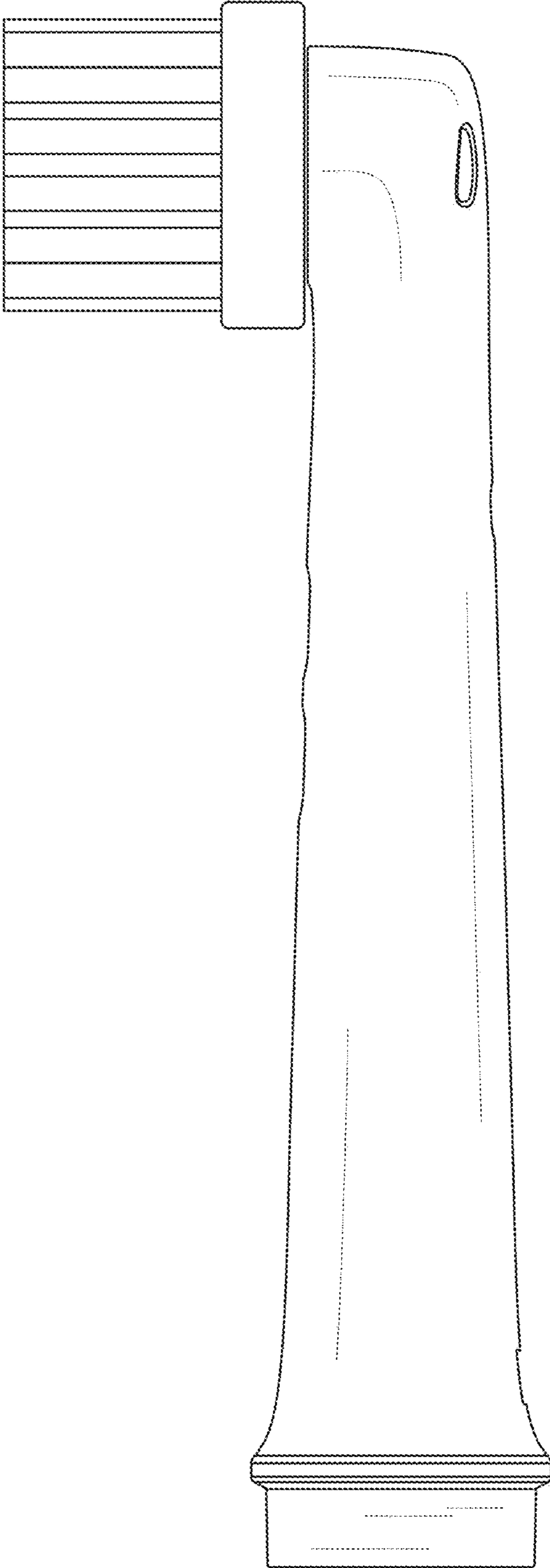


FIG 5

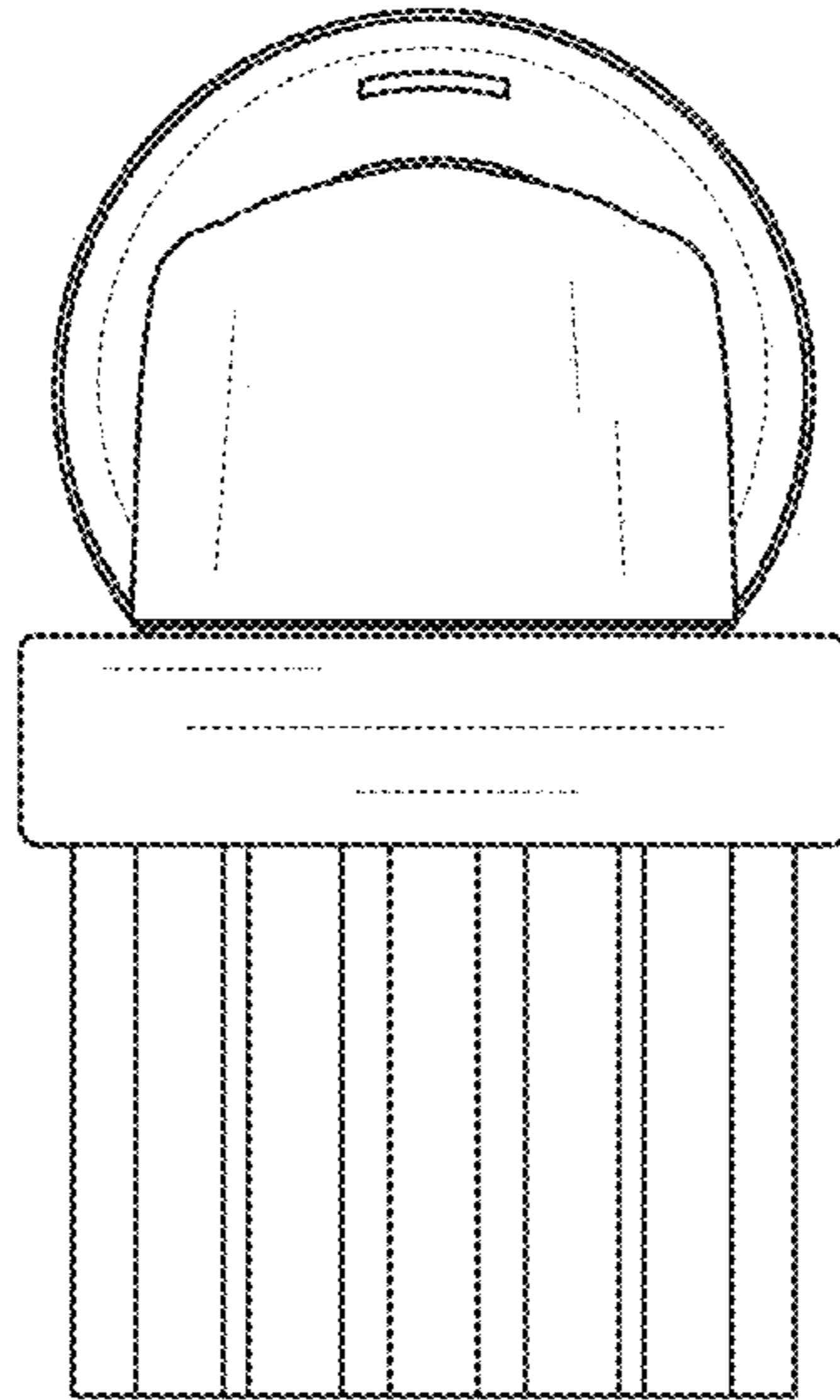


FIG 6

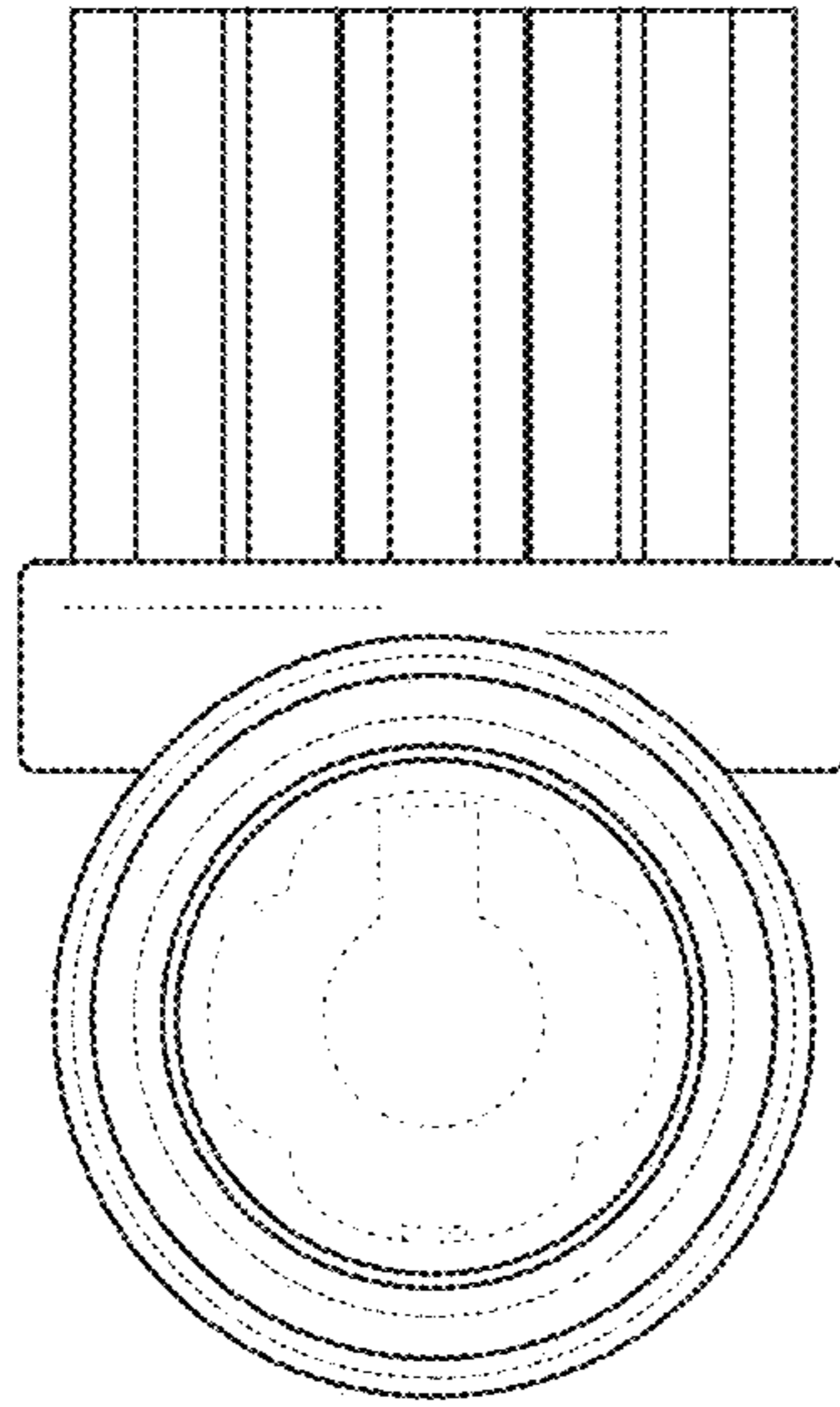


FIG 7