



US00D981721S

(12) **United States Design Patent**
Huang

(10) **Patent No.:** **US D981,721 S**

(45) **Date of Patent:** **** Mar. 28, 2023**

(54) **TOOTHBRUSH REPLACEMENT HEAD**

(71) Applicant: **Xiangyu Huang**, Guangdong (CN)

(72) Inventor: **Xiangyu Huang**, Guangdong (CN)

(**) Term: **15 Years**

(21) Appl. No.: **29/858,443**

(22) Filed: **Oct. 31, 2022**

(51) **LOC (14) Cl.** **28-03**

(52) **U.S. Cl.**
USPC **D4/101**

(58) **Field of Classification Search**
USPC D4/101, 102, 104, 105, 106, 107, 108,
D4/109, 110, 111, 112, 113
CPC A46B 9/04; A46B 2200/1066
See application file for complete search history.

(56) **References Cited**

U.S. PATENT DOCUMENTS

5,419,001	A *	5/1995	Wan	A46B 9/04 15/167.1
D653,035	S *	1/2012	Gebski	D4/101
D715,057	S *	10/2014	Adriaenssen	D4/101
9,724,180	B1 *	8/2017	Liu	A61C 17/222
D881,580	S *	4/2020	Smigel	D4/111
D881,581	S	4/2020	Smigel		
D891,116	S	7/2020	Feng		
D935,192	S *	11/2021	He	D4/101
D948,220	S *	4/2022	Lee	D4/101

D950,959	S *	5/2022	Liu	D4/101
D953,039	S	5/2022	Altmann et al.		
D956,424	S *	7/2022	Zhou	D4/101
D961,268	S *	8/2022	Kuang	D4/101

* cited by examiner

Primary Examiner — Karen E Eldridge Powers

(57) **CLAIM**

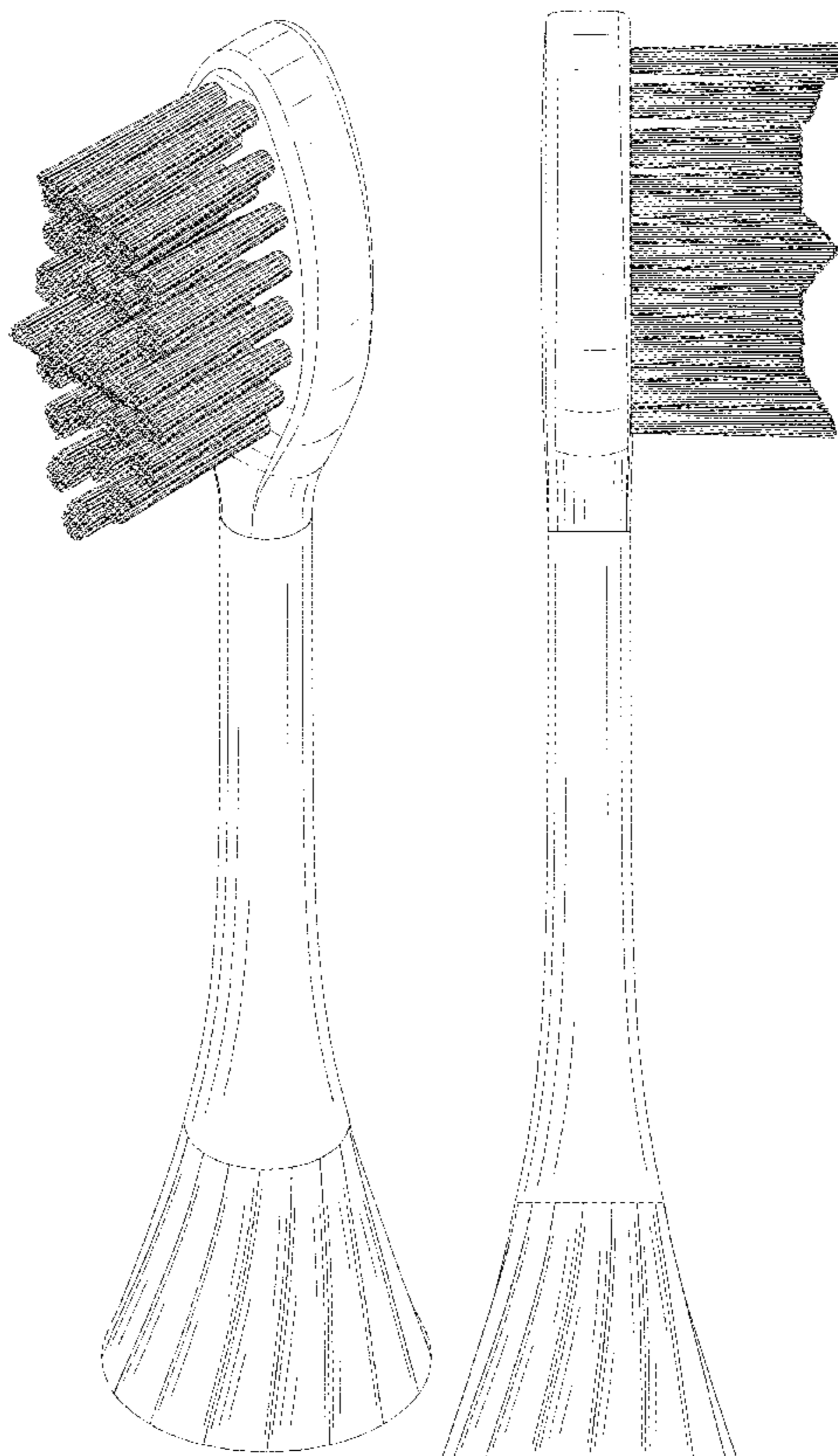
The ornamental design for a toothbrush replacement head, as shown and described.

DESCRIPTION

FIG. 1 is a front, top, and right side perspective view of a toothbrush replacement head showing my new design; FIG. 2 is a rear, bottom, and left side perspective view thereof; FIG. 3 is a front elevational view thereof; FIG. 4 is a rear elevational view thereof; FIG. 5 is a left side elevational view thereof; FIG. 6 is a right side elevational view thereof; FIG. 7 is a top plan view thereof; FIG. 8 is a bottom plan view thereof; FIG. 9 is an enlarged view of portion 9 shown in FIG. 2; and, FIG. 10 is a front, top and right side perspective view of the toothbrush replacement head shown with additional environmental structure depicting a toothbrush head bristle cover.

The dash-dash broken lines in the drawings depict portions of the toothbrush replacement head or environmental subject matter that form no part of the claimed design. The dot-dash broken lines represent boundaries of the enlarged portion that form no part of the claimed design.

1 Claim, 10 Drawing Sheets



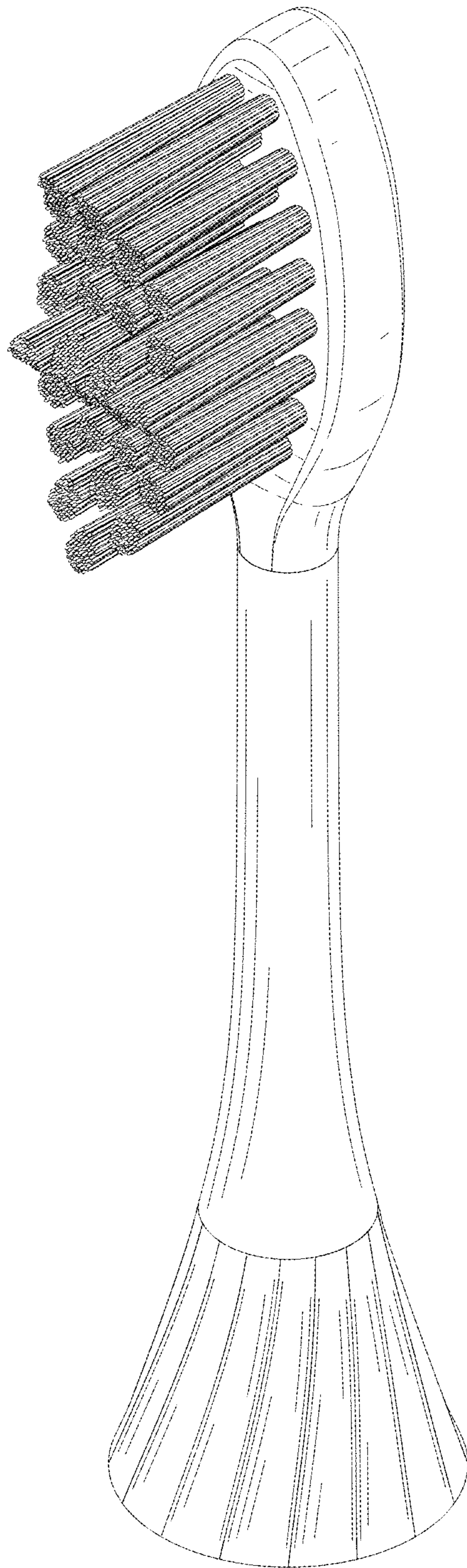


FIG. 1

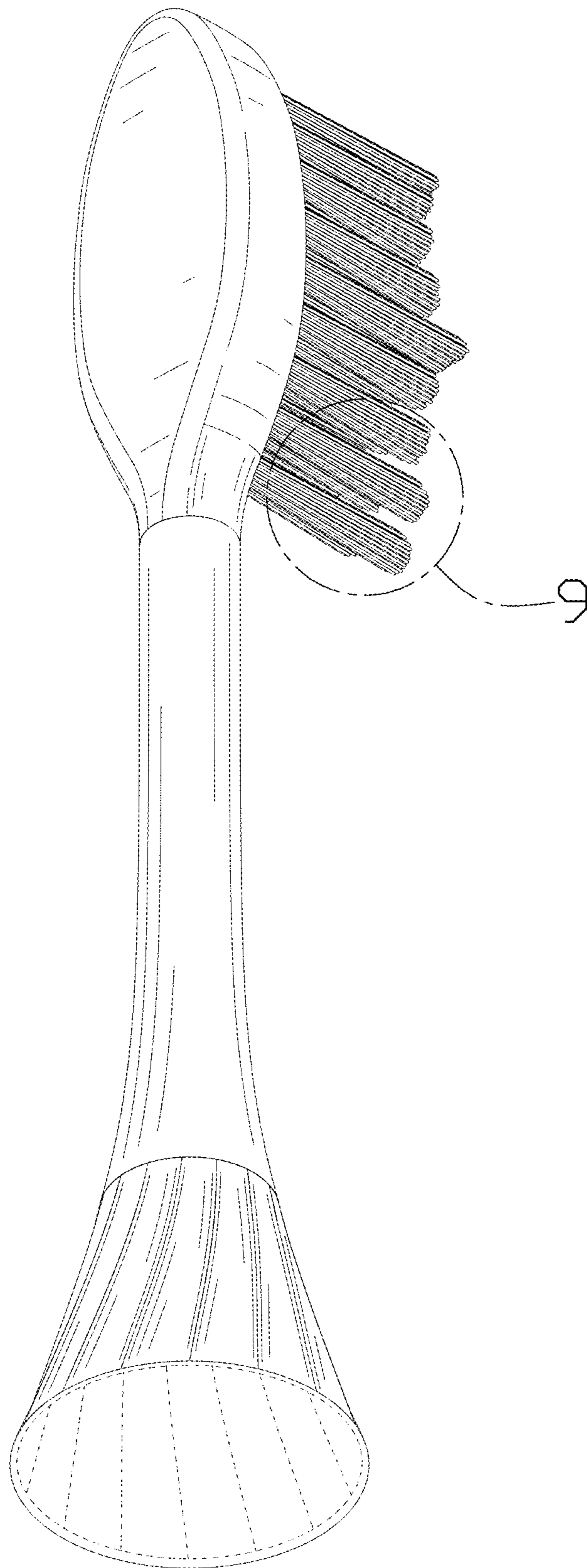


FIG. 2

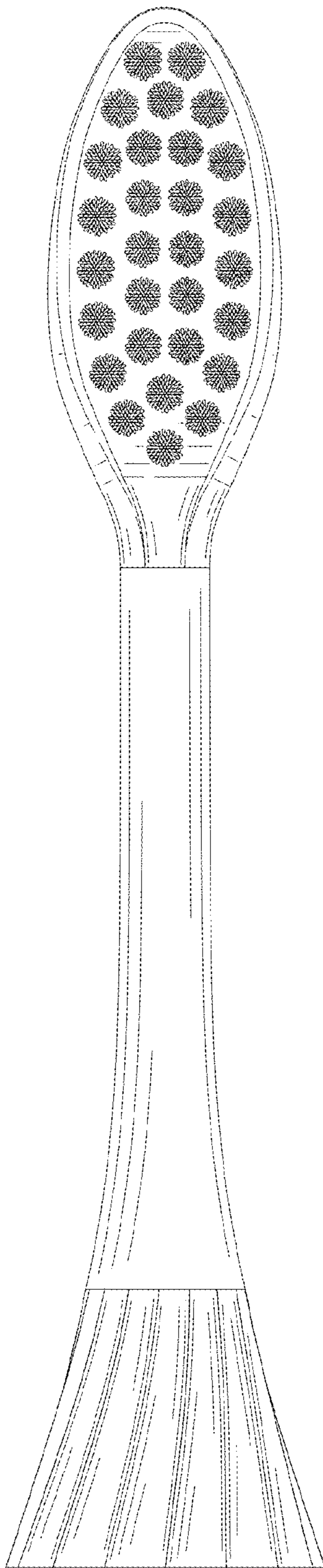


FIG. 3

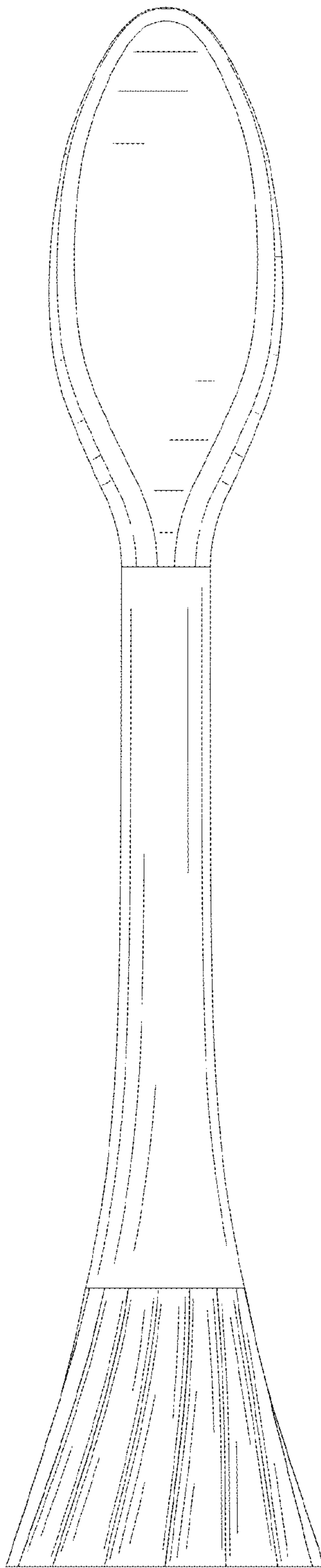


FIG. 4

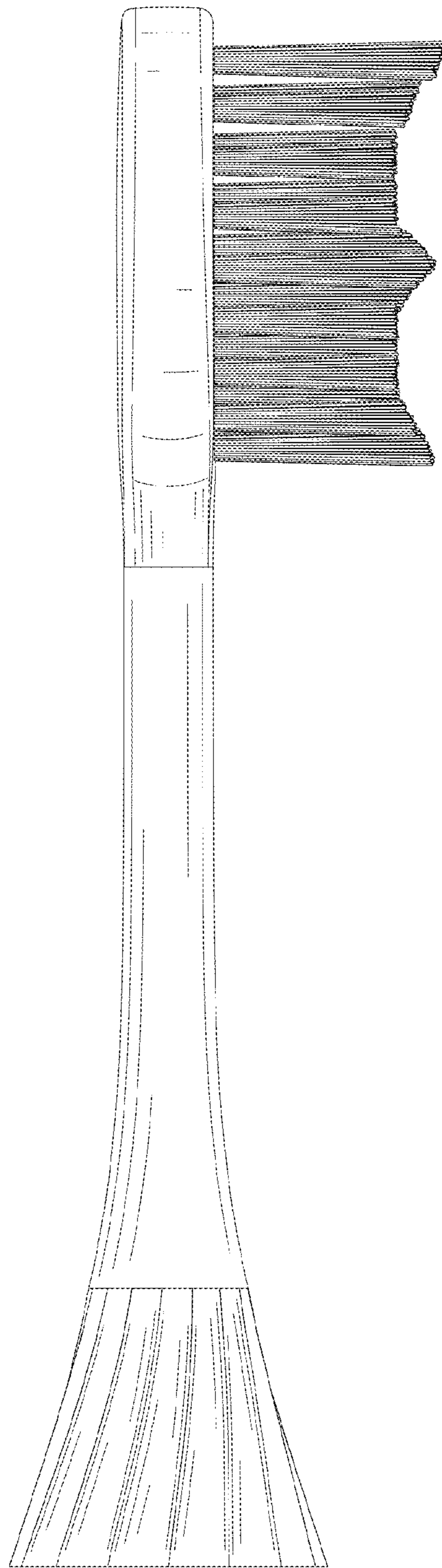


FIG. 5

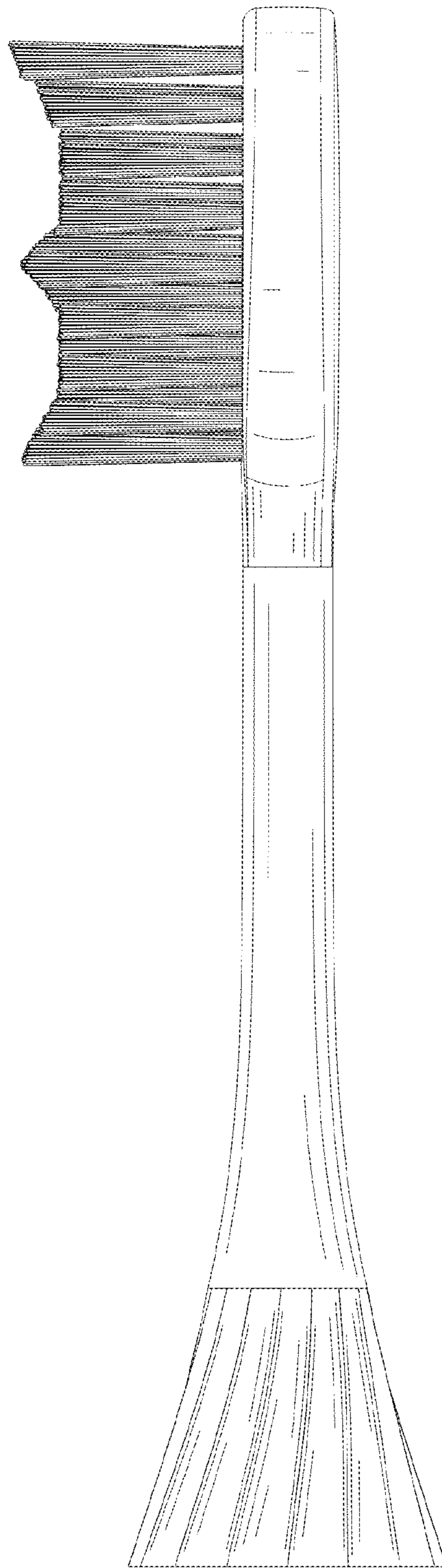


FIG. 6

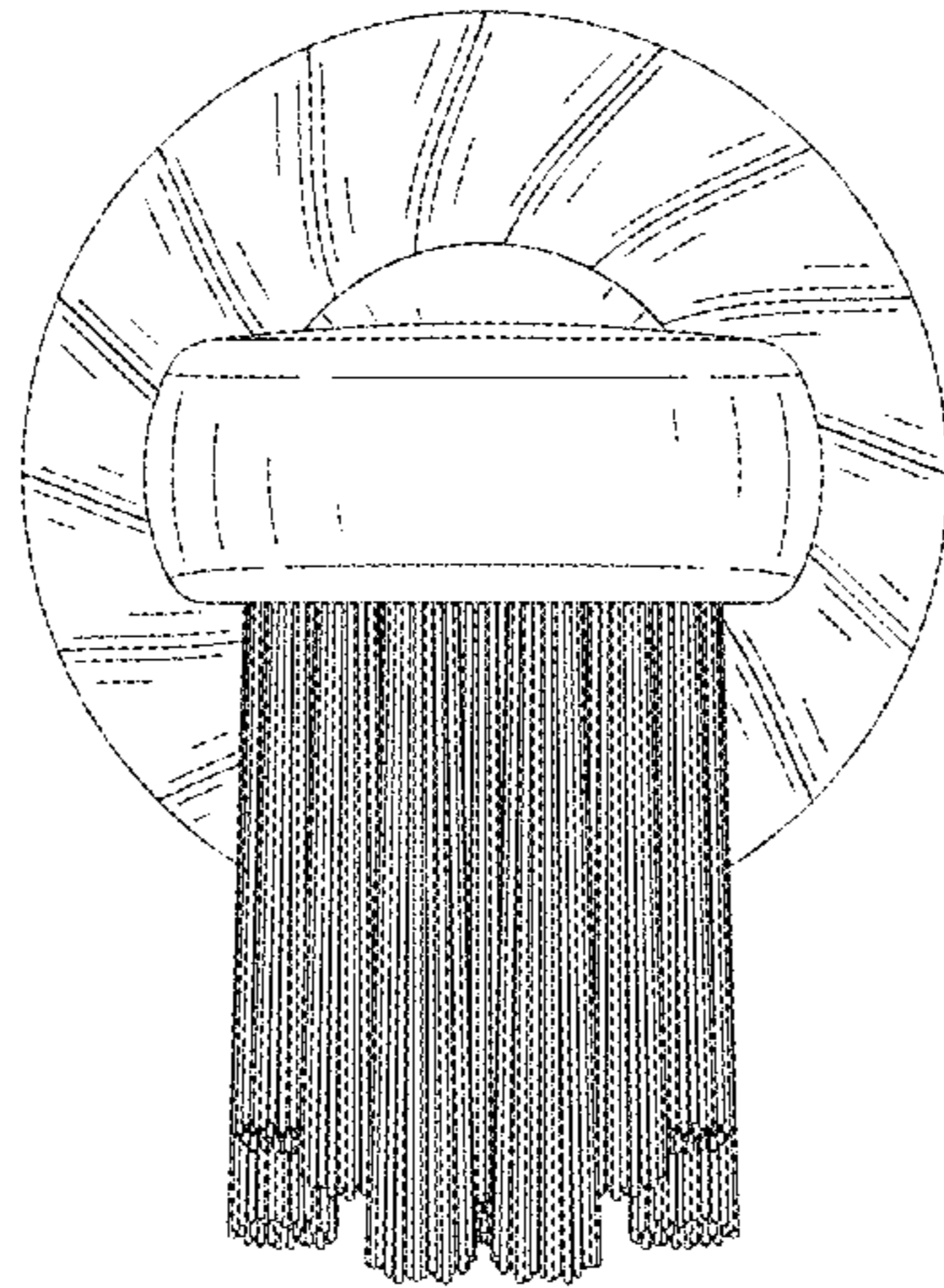


FIG. 7

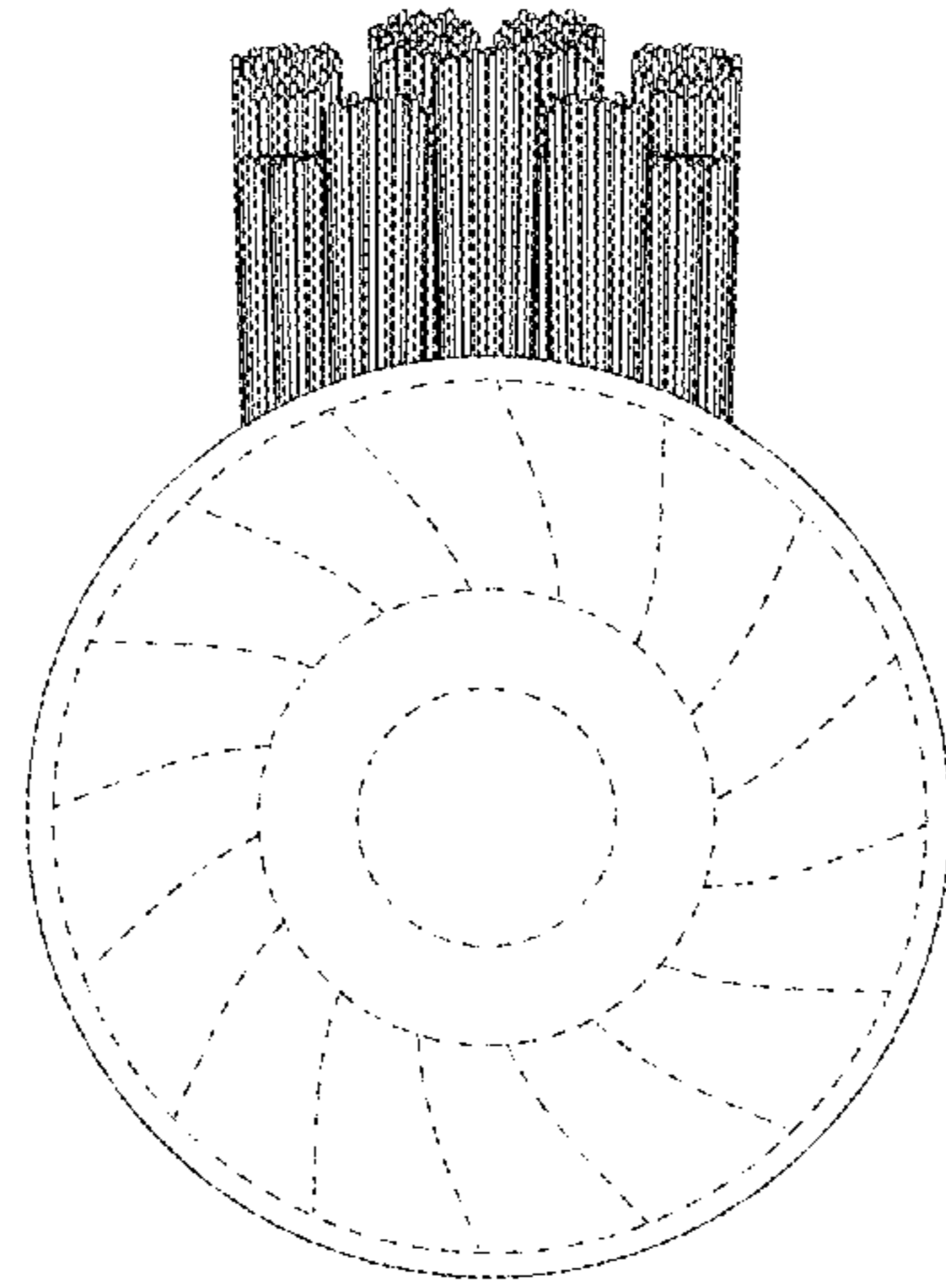


FIG. 8

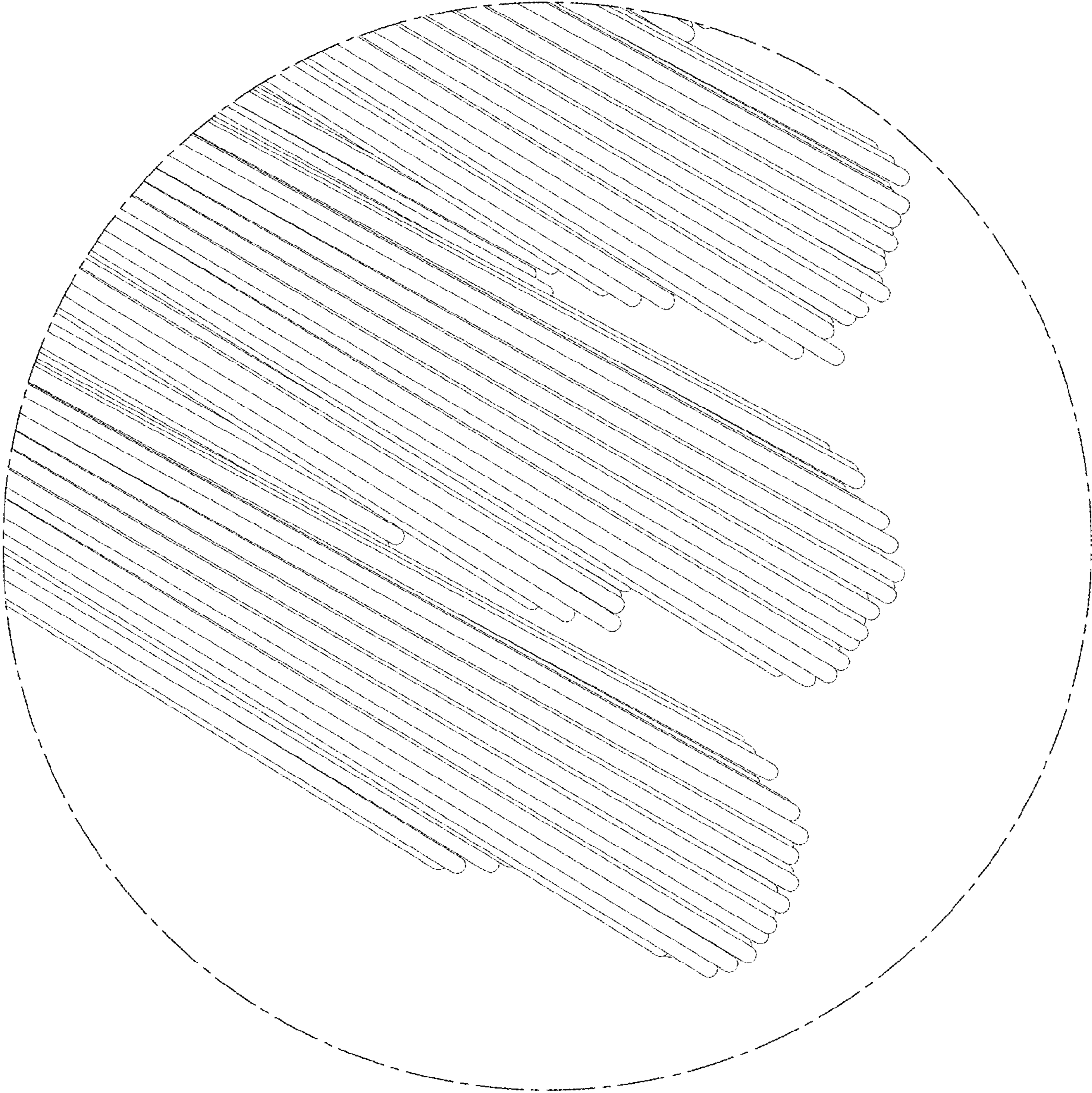


FIG. 9

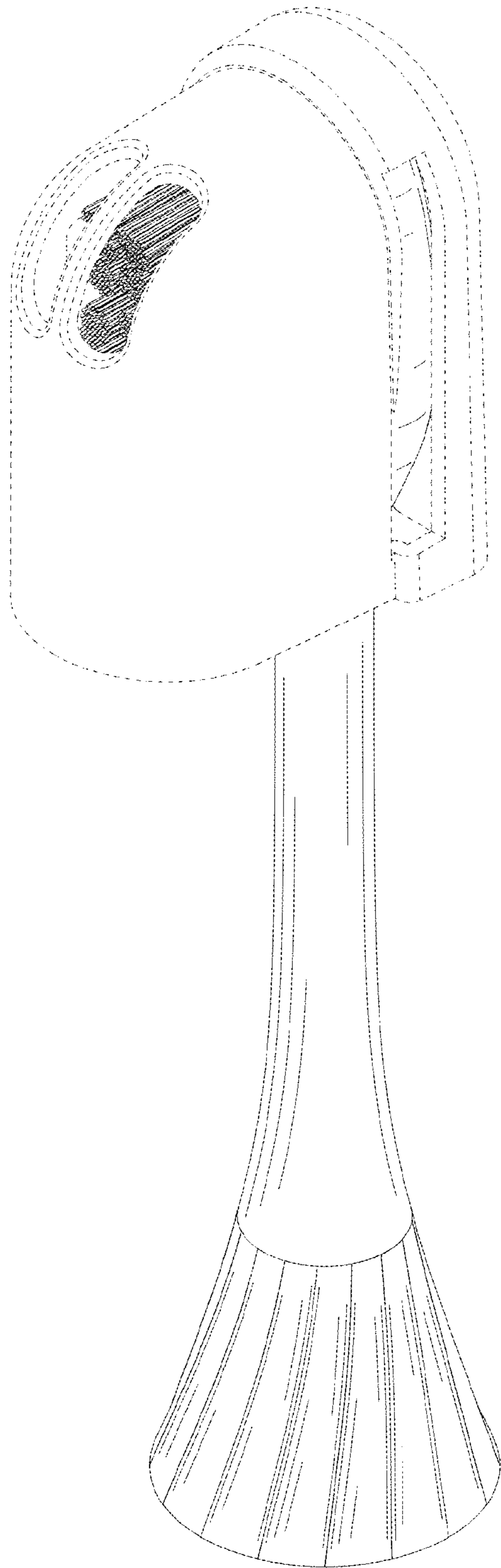


FIG. 10