



US00D981715S

(12) **United States Design Patent** (10) **Patent No.:** **US D981,715 S**
You (45) **Date of Patent:** **** Mar. 28, 2023**

(54) **TOOL BOX**

(71) Applicant: **NINGBO MEIQI TOOL CO., LTD.**,
Zhejiang (CN)

(72) Inventor: **Lizhong You**, Zhejiang (CN)

(73) Assignee: **NINGBO MEIQI TOOL CO., LTD.**,
Zhejiang (CN)

(**) Term: **15 Years**

(21) Appl. No.: **29/774,098**

(22) Filed: **Mar. 15, 2021**

(30) **Foreign Application Priority Data**

Jan. 11, 2021 (CN) 202130016015.8

(51) **LOC (14) Cl.** **03-01**

(52) **U.S. Cl.**
USPC **D3/279**; D3/905

(58) **Field of Classification Search**

USPC D3/20, 200, 201, 203.1, 203.2, 203.3,
D3/203.5, 203.6, 203.7, 203.8, 206, 207,
D3/269, 272-276, 279-281, 283, 284,
D3/288, 291, 294-297, 304, 318-323,
D3/900-905; D7/601, 602, 609, 614,
D7/701, 703, 387, 392, 393; D8/300,
D8/303; D9/700, 721, 756-760, 904,
D9/414, 420, 434, 435, 499;
D12/423-426; D13/152, 184; D14/511,
D14/134, 203.4; D18/3.2; D24/224-227,
D24/229; D27/172, 186; D99/28

CPC B25H 3/00; B25H 3/003; B25H 3/006;
B25H 3/02; B25H 3/021; B25H 3/022;
B25H 3/023; B65D 67/00; B65D 67/02;
B65D 69/00; B65D 81/00; B65D 81/02;

(Continued)

(56) **References Cited**

U.S. PATENT DOCUMENTS

D294,080 S * 2/1988 Golia D15/66
D333,568 S * 3/1993 Dickinson D3/905
D337,313 S * 7/1993 Davis D13/184

(Continued)

FOREIGN PATENT DOCUMENTS

CA 47780 * 1/1981
CN 3237845 * 11/2001

(Continued)

OTHER PUBLICATIONS

Dewalt ToughSystem Tower Tool Box, available at homedepot.com, earliest customer review date Sep. 8, 2020 [online], site visited Jan. 9, 2023, available from the internet URL: <https://www.homedepot.com/p/DEWALT-ToughSystem-2-0-24-in-Tower-Tool-Box-System-3-Piece-Set-DWST60437/320785569> (Year: 2020).*

(Continued)

Primary Examiner — April Rivas

Assistant Examiner — Jillian Mazzola

(74) *Attorney, Agent, or Firm* — JCIP Global Inc.

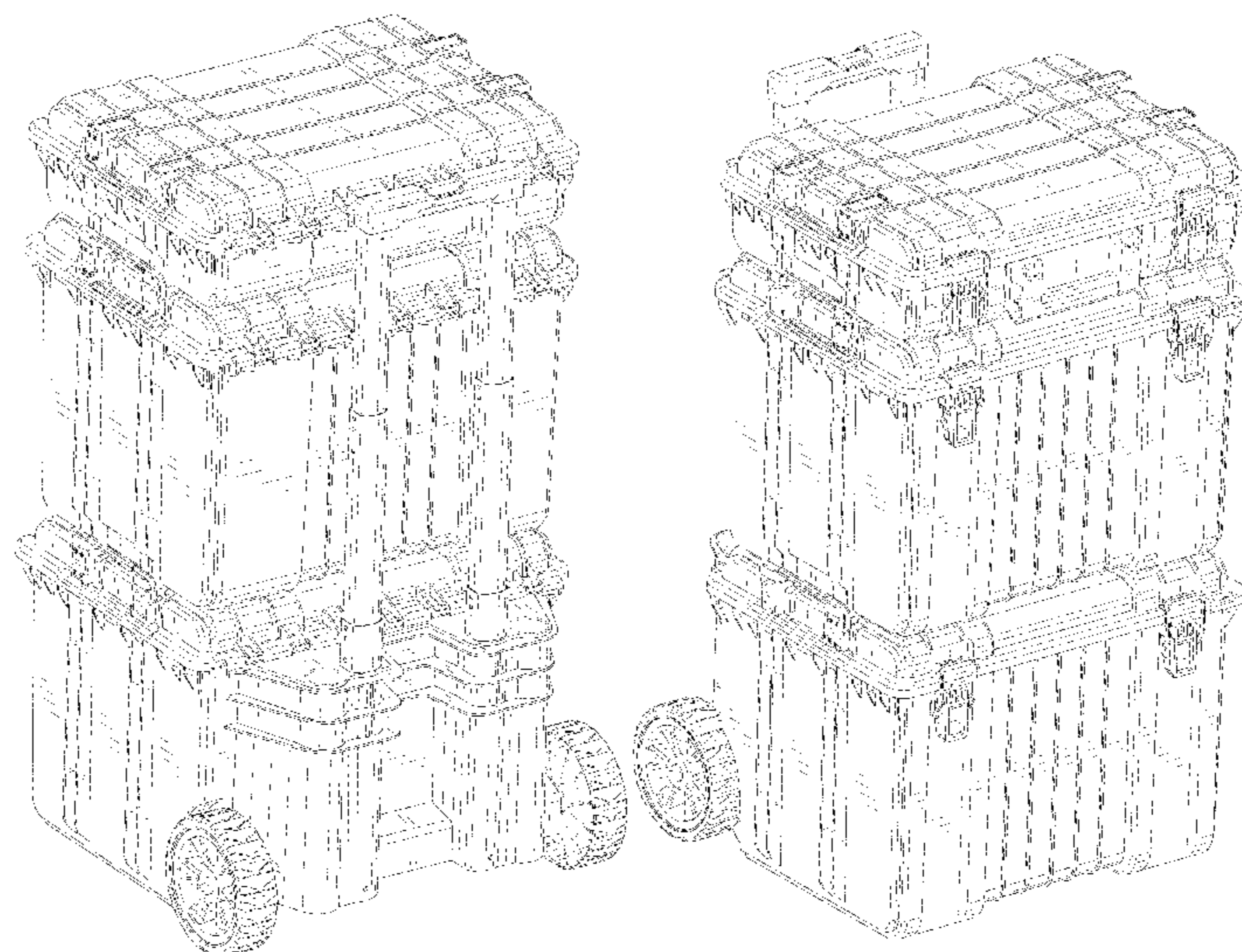
(57) **CLAIM**

The ornamental design for a tool box, as shown and described.

DESCRIPTION

FIG. 1 is a perspective view of a tool box showing my new design;
FIG. 2 is another perspective view thereof;
FIG. 3 is a front view thereof;
FIG. 4 is a rear view thereof;
FIG. 5 is a left side view thereof;
FIG. 6 is a right side view thereof;
FIG. 7 is a top view thereof; and,
FIG. 8 is a bottom view thereof.
The broken lines illustrate portions of the tool box that form no part of the claimed design.

1 Claim, 8 Drawing Sheets



(58) **Field of Classification Search**

CPC B65D 81/022; B65D 88/00; B65D 88/005;
B65D 88/02; B65D 88/022; B65G 1/02

See application file for complete search history.

2019/0002004 A1* 1/2019 Brunner B65D 21/0212
2022/0097926 A1* 3/2022 Whitmire B25H 3/04
2022/0369781 A1* 11/2022 Brunner A45C 13/262

FOREIGN PATENT DOCUMENTS

CN 307552214 * 5/2022
WO WOD218444-004 * 1/2022

(56) **References Cited**

U.S. PATENT DOCUMENTS

D364,959 S * 12/1995 Finn D3/279
D653,832 S * 2/2012 Vilkomirski D34/25
D666,831 S * 9/2012 Kinskey D3/318
D685,186 S * 7/2013 Massaud D3/279
D701,696 S * 4/2014 Shitrit D34/25
D702,044 S * 4/2014 Shitrit D3/905
D703,435 S * 4/2014 Wile D3/279
D711,105 S * 8/2014 Brunner D3/905
D742,639 S * 11/2015 Suggs D3/297
D743,169 S * 11/2015 Therkorn D3/905
D746,588 S * 1/2016 Pourmehr D3/288
D758,729 S * 6/2016 Tonelli D3/905
D765,974 S * 9/2016 Tonelli D3/905
D818,710 S * 5/2018 Morszeck D3/279
D898,358 S * 10/2020 Chagnon D3/279
D901,175 S * 11/2020 Guirlinger D3/279
2002/0030425 A1* 3/2002 Tiramani B25H 3/023
280/47.35

OTHER PUBLICATIONS

Hart Stack System, walmart.com, review date Oct. 13, 2020 [online], site visited Jan. 9, 2023, available from the internet URL: <https://www.walmart.com/ip/HART-Stack-System-Mobile-Tool-Box-for-Storage-and-Organization-Fits-7-Parts-Modular-Storage-System-And-Suits-HART-Power-Tools/547011403?> (Year: 2020).*

Milwaukee Packout Tool Boxes and Storage System, in Photos, available at toolguyd.com, earliest date available Jun. 12, 2017 [online], site visited Jan. 9, 2023, available from the internet URL: <https://toolguyd.com/milwaukee-packout-tool-boxes-photo-introduction/> (Year: 2017).*

Benchmark Pro 3 in 1 Modular Tool Box Set, available at homehardware.ca, date not available [online], site visited Jan. 9, 2023, available from the internet URL: <https://www.homehardware.ca/en/pro-3-in-1-modular-tool-box-set/p/1112927> (Year: 2023).*

* cited by examiner

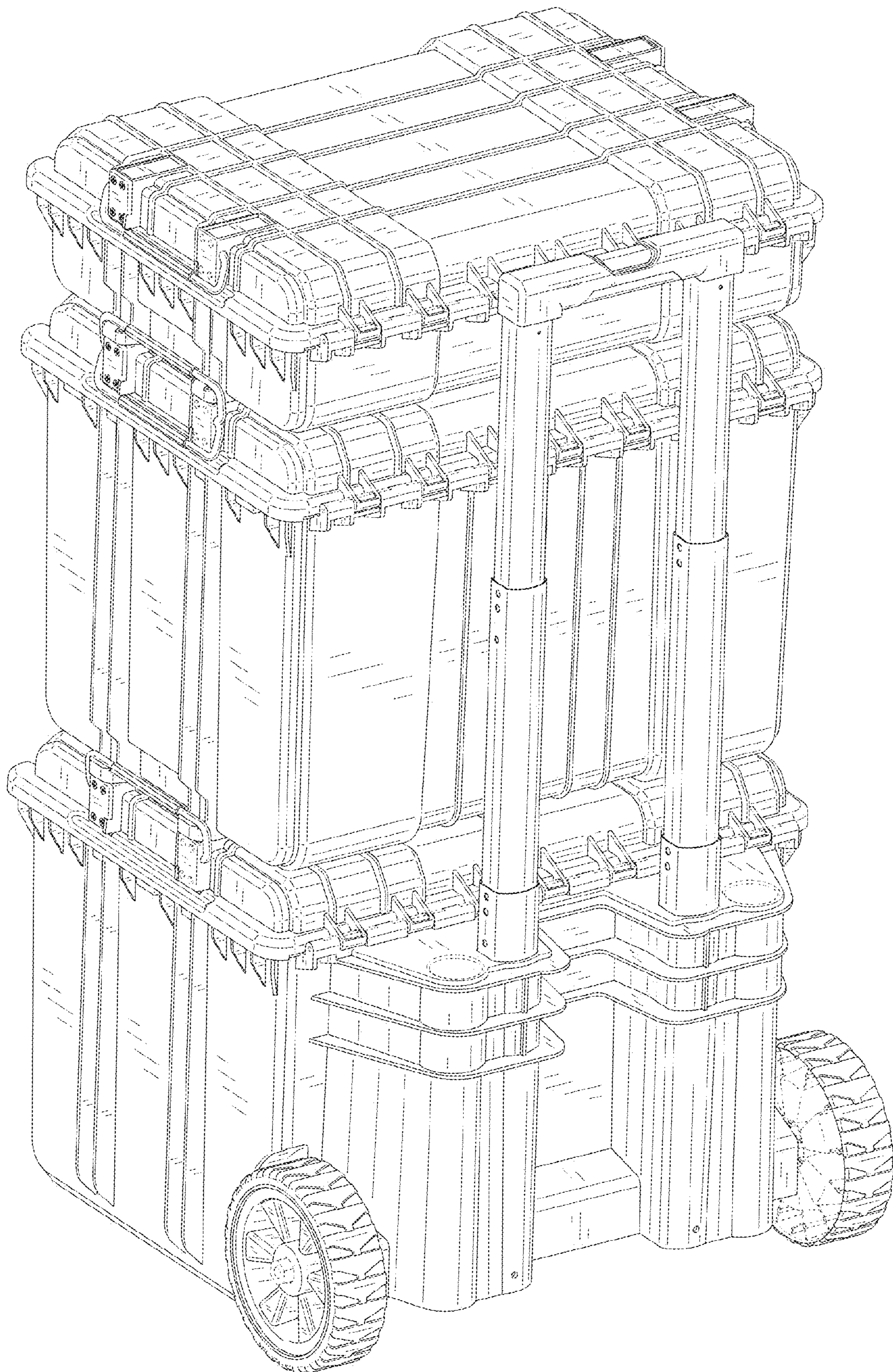


FIG. 1

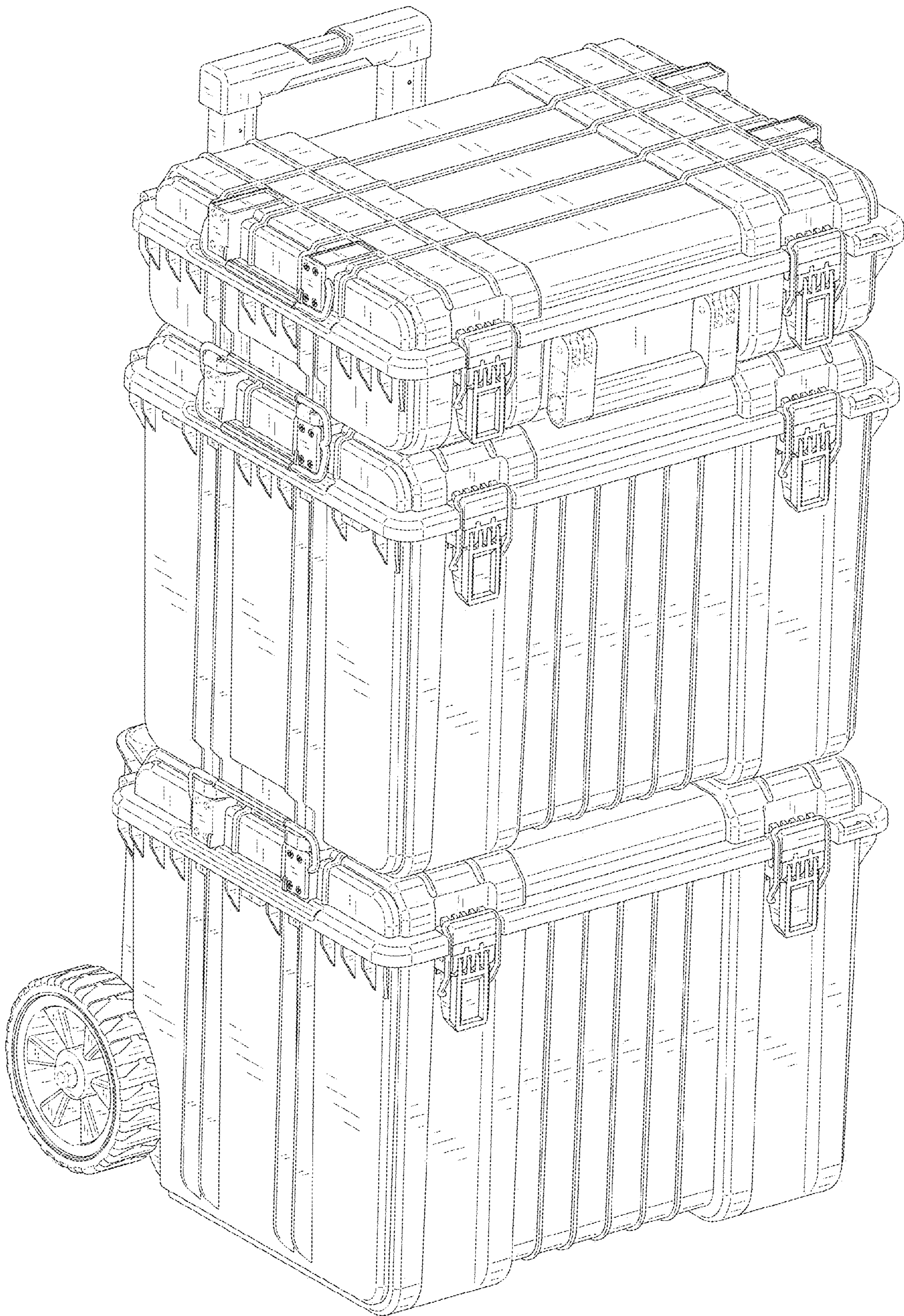


FIG. 2

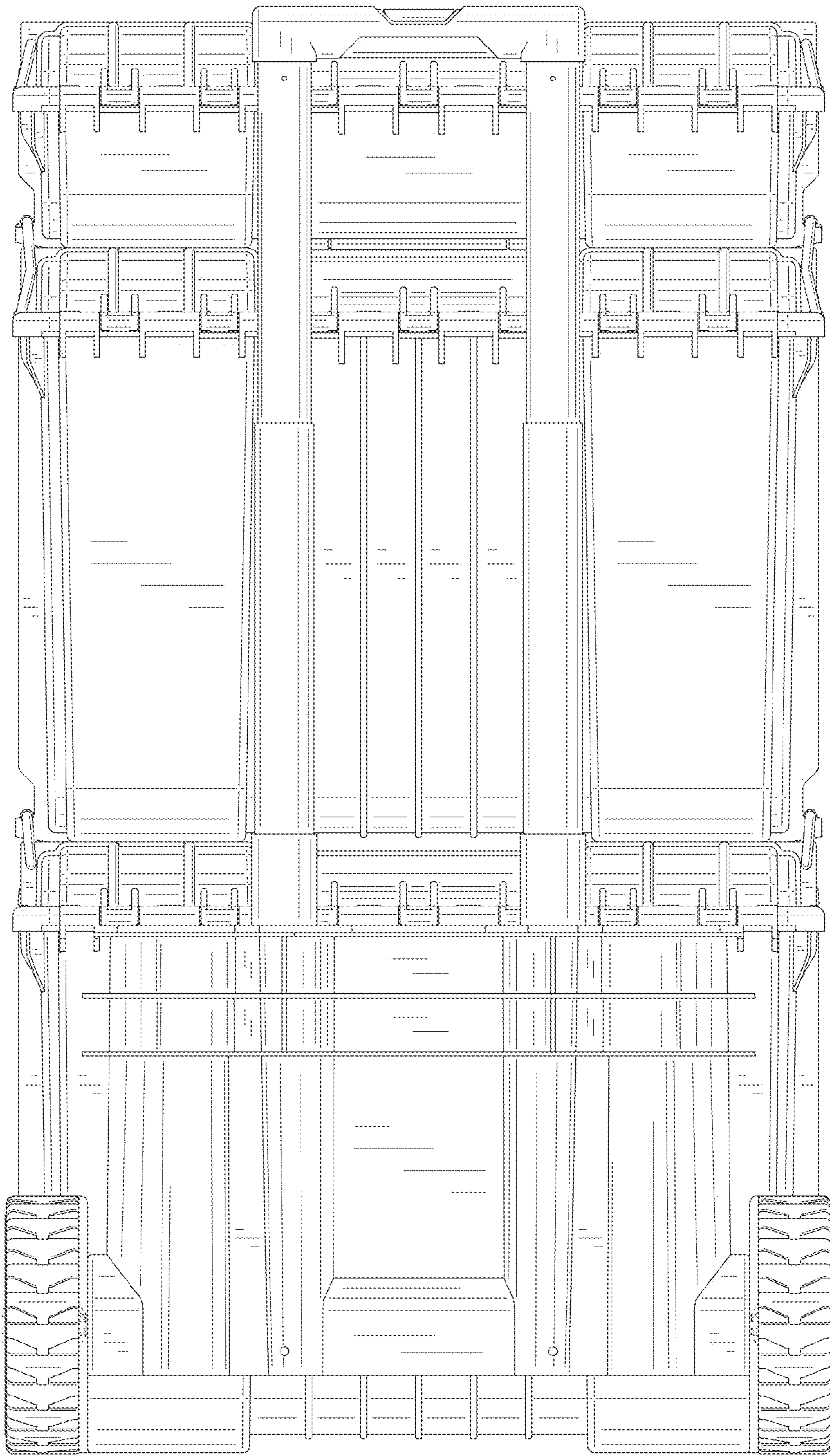


FIG. 3

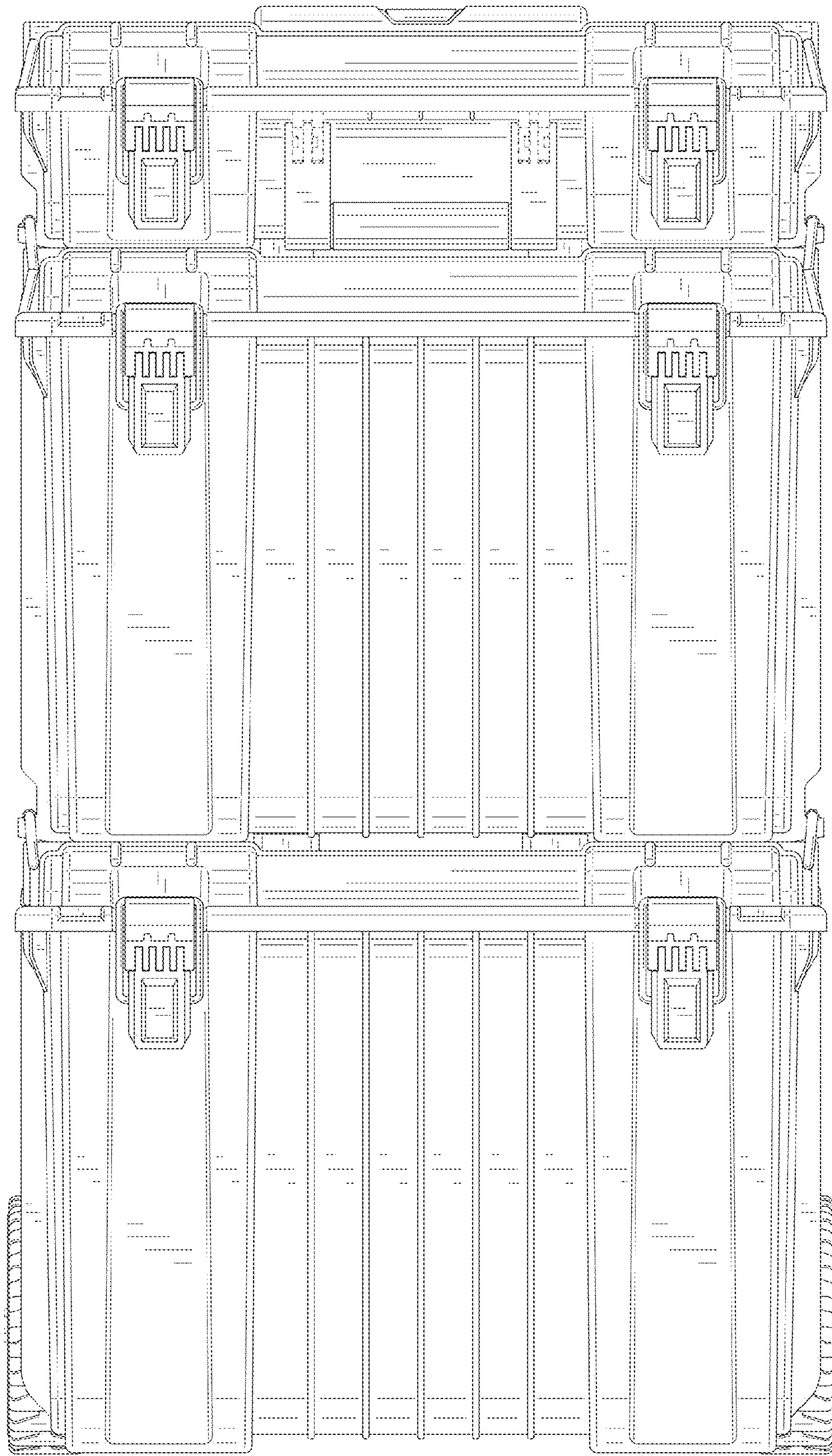


FIG. 4

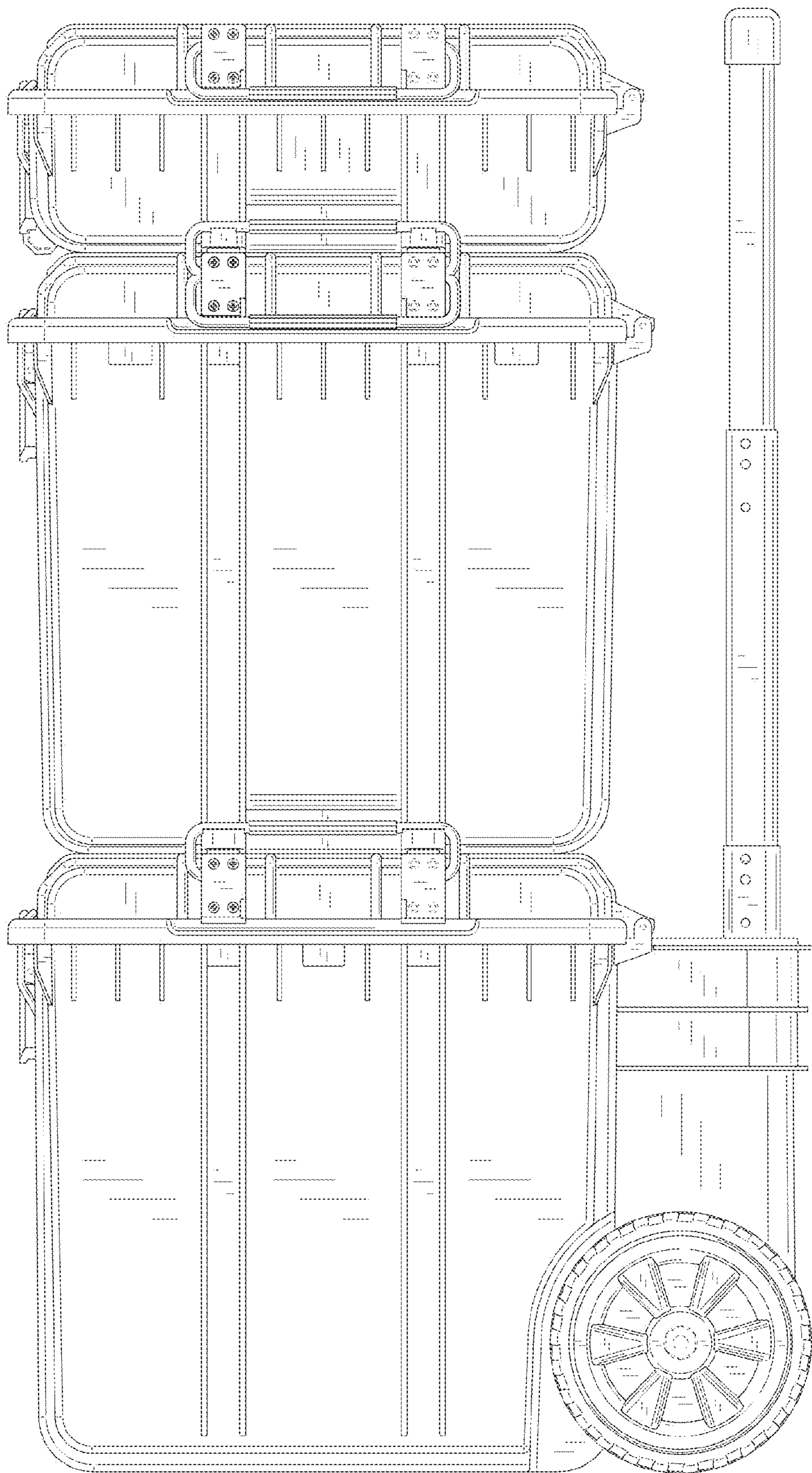


FIG. 5

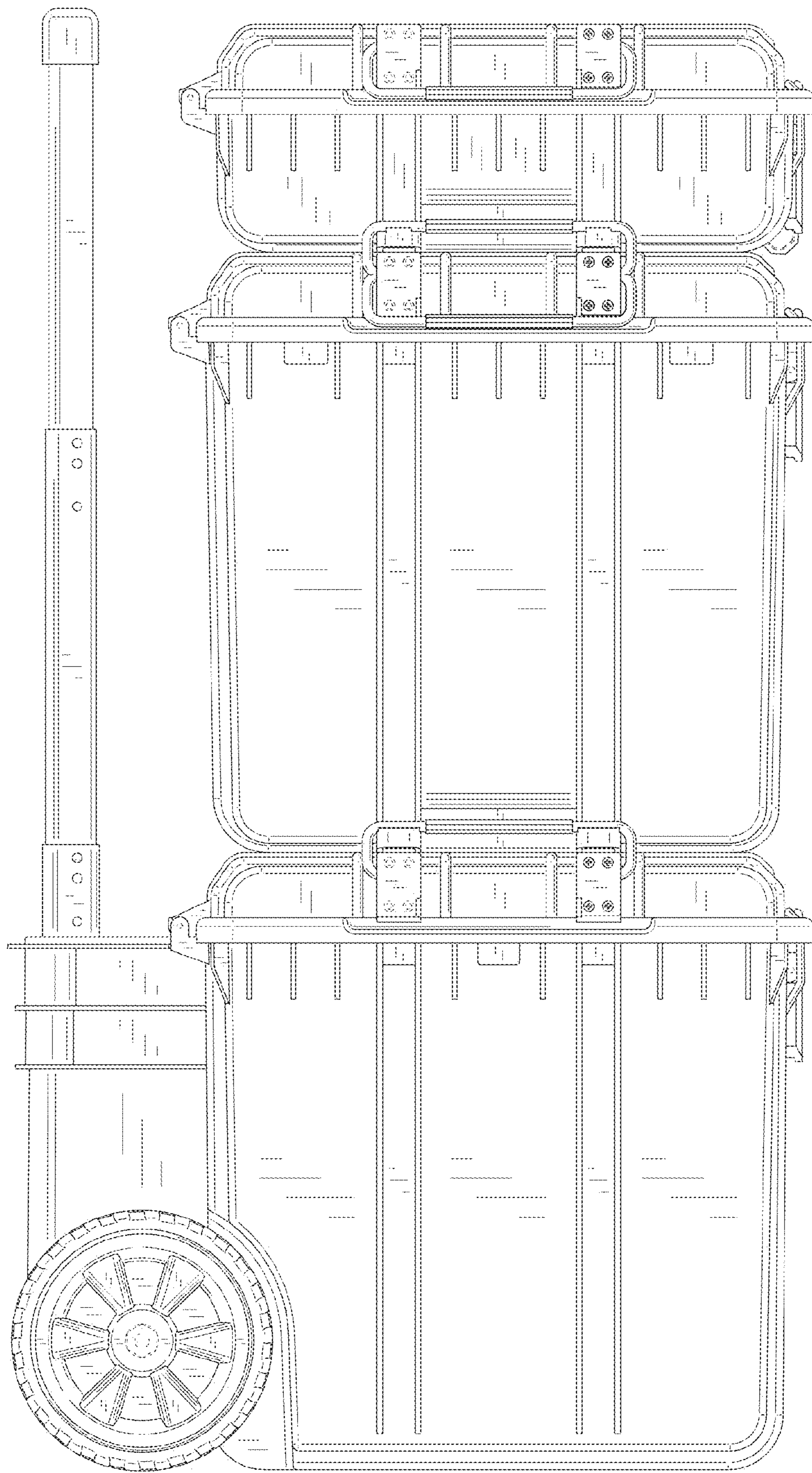


FIG. 6

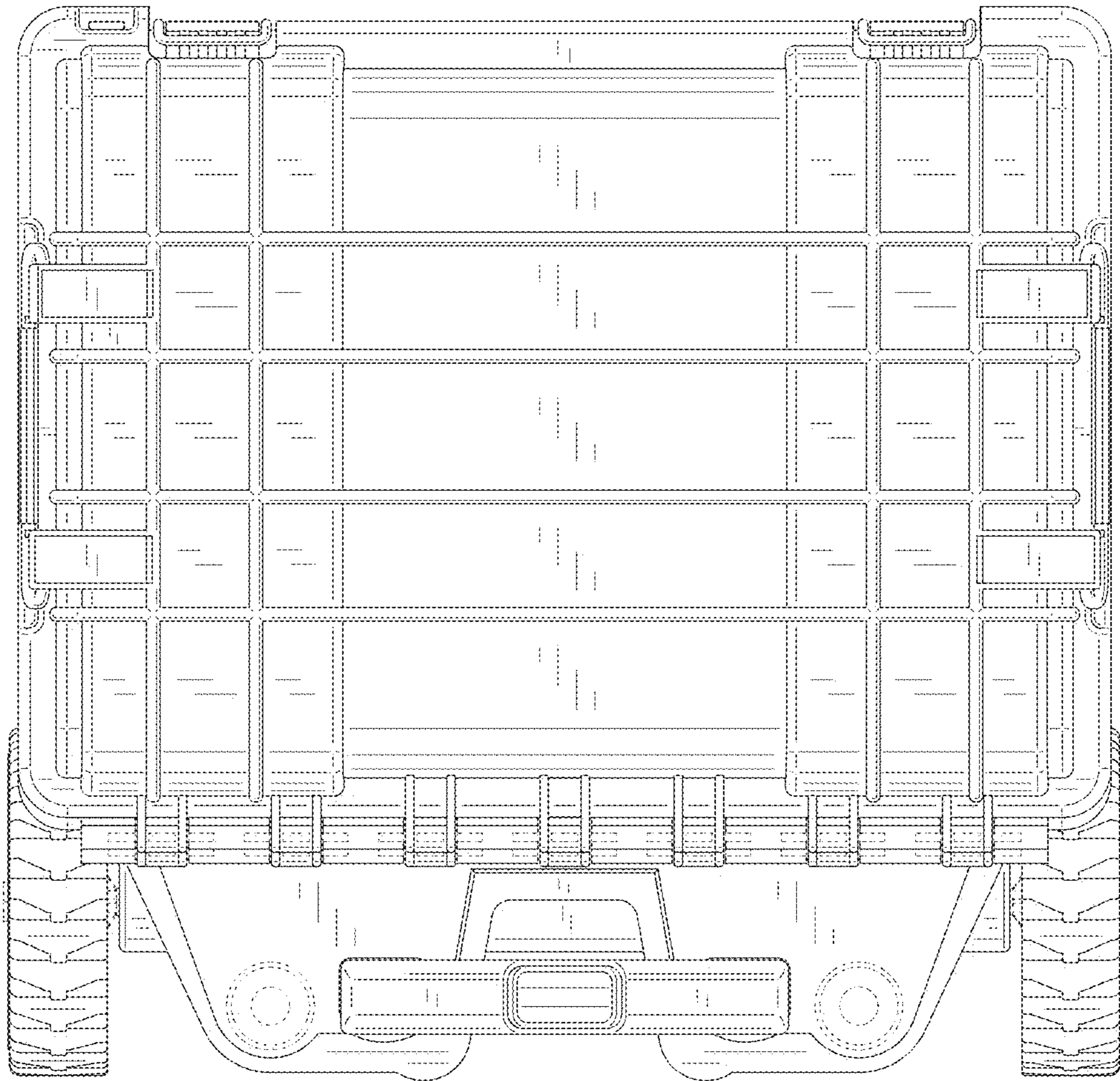


FIG. 7

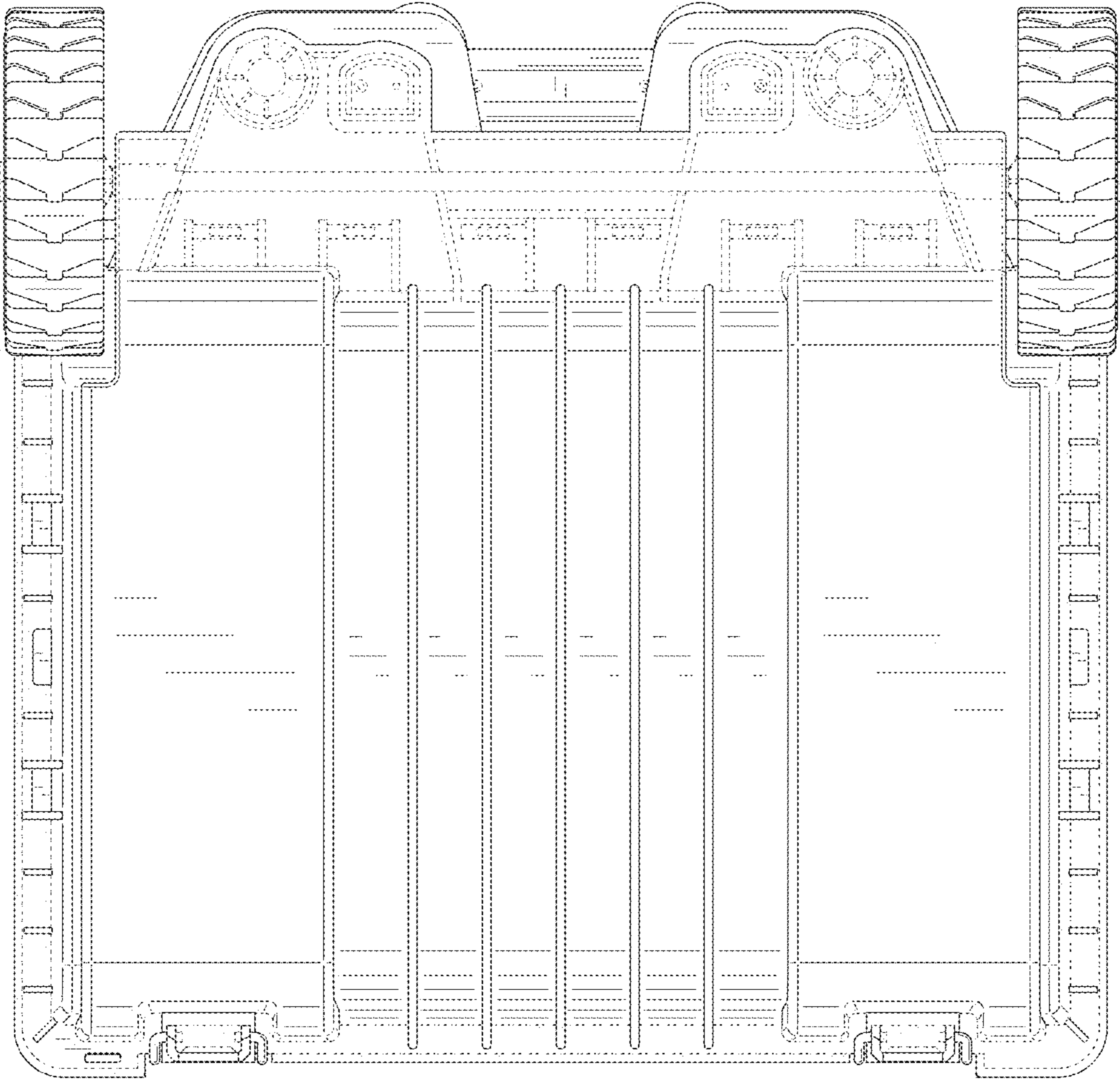


FIG. 8