



US00D981714S

(12) **United States Design Patent**
Tonelli

(10) **Patent No.:** **US D981,714 S**
(45) **Date of Patent:** **** Mar. 28, 2023**

(54) **TRUNK**

(71) Applicant: **G.T. LINE S.R.L.**, Valsamoggia (IT)

(72) Inventor: **Massimo Tonelli**, Bologna (IT)

(73) Assignee: **G.T. LINE S.R.L.**, Valsamoggia (IT)

(**) Term: **15 Years**

(21) Appl. No.: **29/728,105**

(22) Filed: **Mar. 16, 2020**

(30) **Foreign Application Priority Data**

Sep. 17, 2019 (EM) 006874590

(51) **LOC (14) Cl.** **03-01**

(52) **U.S. Cl.**

USPC **D3/279; D3/905**

(58) **Field of Classification Search**

USPC **D3/262, 272, 273, 276, 279, 294, 905, D3/904**

(Continued)

(56) **References Cited**

U.S. PATENT DOCUMENTS

D441,954 S * 5/2001 Parker D3/273
D482,529 S 11/2003 Hardigg et al.

(Continued)

OTHER PUBLICATIONS

Youtube, "All.In.One Tool Chest by GT Line", Posted Dec. 18, 2014. (<https://www.youtube.com/watch?v=zReKdM5ddK4>) (Year: 2014).*

(Continued)

Primary Examiner — April Rivas

(74) *Attorney, Agent, or Firm* — Cantor Colburn LLP

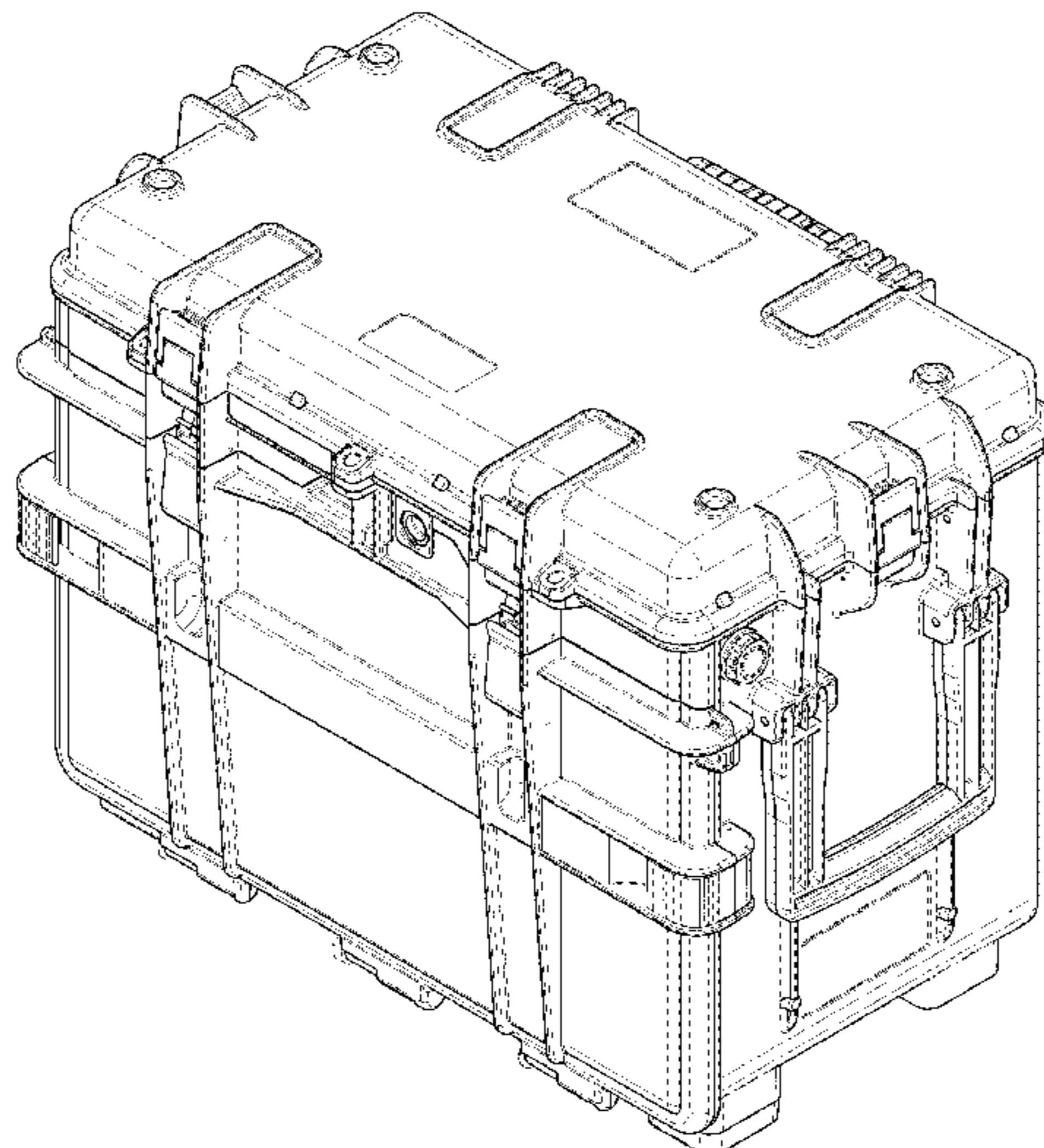
(57) **CLAIM**

I claim, the ornamental design for a trunk, as shown and described.

DESCRIPTION

FIG. 1 is a perspective view of a trunk, showing my new design in first embodiment;
FIG. 2 is a front view thereof;
FIG. 3 is a rear view thereof;
FIG. 4 is a left side view thereof;
FIG. 5 is a right side view thereof;
FIG. 6 is a top plan view thereof;
FIG. 7 is a bottom plan view thereof;
FIG. 8 is a perspective bottom view thereof;
FIG. 9 is a perspective view of a trunk, showing my new design in a second embodiment;
FIG. 10 is a front view thereof;
FIG. 11 is a rear view thereof;
FIG. 12 is a left side view thereof;
FIG. 13 is a right side view thereof;
FIG. 14 is a top view thereof;
FIG. 15 is a bottom view thereof;
FIG. 16 is a perspective bottom view thereof;
FIG. 17 is a perspective view of a trunk, showing my new design in a third embodiment;
FIG. 18 is a front view thereof;
FIG. 19 is a rear view thereof;
FIG. 20 is a left side view thereof;
FIG. 21 is a right side view thereof;
FIG. 22 is a top view thereof;
FIG. 23 is a bottom view thereof;
FIG. 24 is a perspective bottom view thereof;
FIG. 25 is a perspective view of a trunk, showing my new design in a fourth embodiment;
FIG. 26 is a front view thereof;
FIG. 27 is a rear view thereof;
FIG. 28 is a left side view thereof;
FIG. 29 is a right side view thereof;
FIG. 30 is a top view thereof;
FIG. 31 is a bottom view thereof; and,
FIG. 32 is a perspective bottom view thereof.
The broken lines illustrate portions of the trunk and form no part of the claimed design.

1 Claim, 32 Drawing Sheets



US D981,714 S

Page 2

(58) **Field of Classification Search**

CPC A45C 2005/037; A45C 5/14; A45C
2009/002; A47B 81/005

See application file for complete search history.

(56) **References Cited**

U.S. PATENT DOCUMENTS

D607,207 S	6/2010	Horiyama et al.	
D638,217 S	5/2011	Von Gottberg et al.	
D727,620 S *	4/2015	Tonelli	D3/276
D758,729 S *	6/2016	Tonelli	D3/905
D765,973 S *	9/2016	Tonelli	D3/905
D779,822 S	2/2017	Grenier et al.	
D815,831 S *	4/2018	Tonelli	D3/905
D833,743 S	11/2018	Tonelli	
D847,505 S	5/2019	Tonelli	
D849,402 S	5/2019	Tonelli	
D854,826 S	7/2019	Tonelli	
D861,340 S	10/2019	Deng	
D898,357 S *	10/2020	Chagnon	D3/279
D915,069 S *	4/2021	Tonelli	D3/905
D920,671 S	6/2021	Brunner et al.	
D932,186 S *	10/2021	Brunner	D3/294

D950,949 S	5/2022	You	
2006/0170558 A1 *	8/2006	Tonelli	B25H 3/02 235/375
2016/0309863 A1 *	10/2016	Tonelli	A45C 5/06
2016/0309867 A1 *	10/2016	Oberg	A45C 9/00
2019/0037989 A1 *	2/2019	Tonelli	A45C 5/04
2020/0196725 A1 *	6/2020	Tonelli	A45C 13/26

OTHER PUBLICATIONS

GT Line, "All.In.One AI1 Polypropylene tool box", Shown Cached from Dec. 12, 2018. (http://www.gtline.com:80/en/products/gt_line/118-ALL.IN.ONEAI1-Tool_chest/)(https://web.archive.org/web/20181212200145/http://www.gtline.com:80/en/products/gt_line/118-ALL.IN.ONEAI1-Tool_chest/) (Year: 2018).*

Youtube, "Stahlwille 13217 mobile tool chest review with custom foam inserts", Published Dec. 12, 2016. (<https://www.youtube.com/watch?v=XpMXgGOJ6Ms>) (Year: 2016).*

Amazon, "Stahlwille 13217 TS Jet Tool Trolley", First on sale Oct. 31, 2017. (<https://www.amazon.com/Stahlwille-13217-Tool-Trolley-black/dp/B00O9IG48Q?th=1>) (Year: 2017).*

* cited by examiner

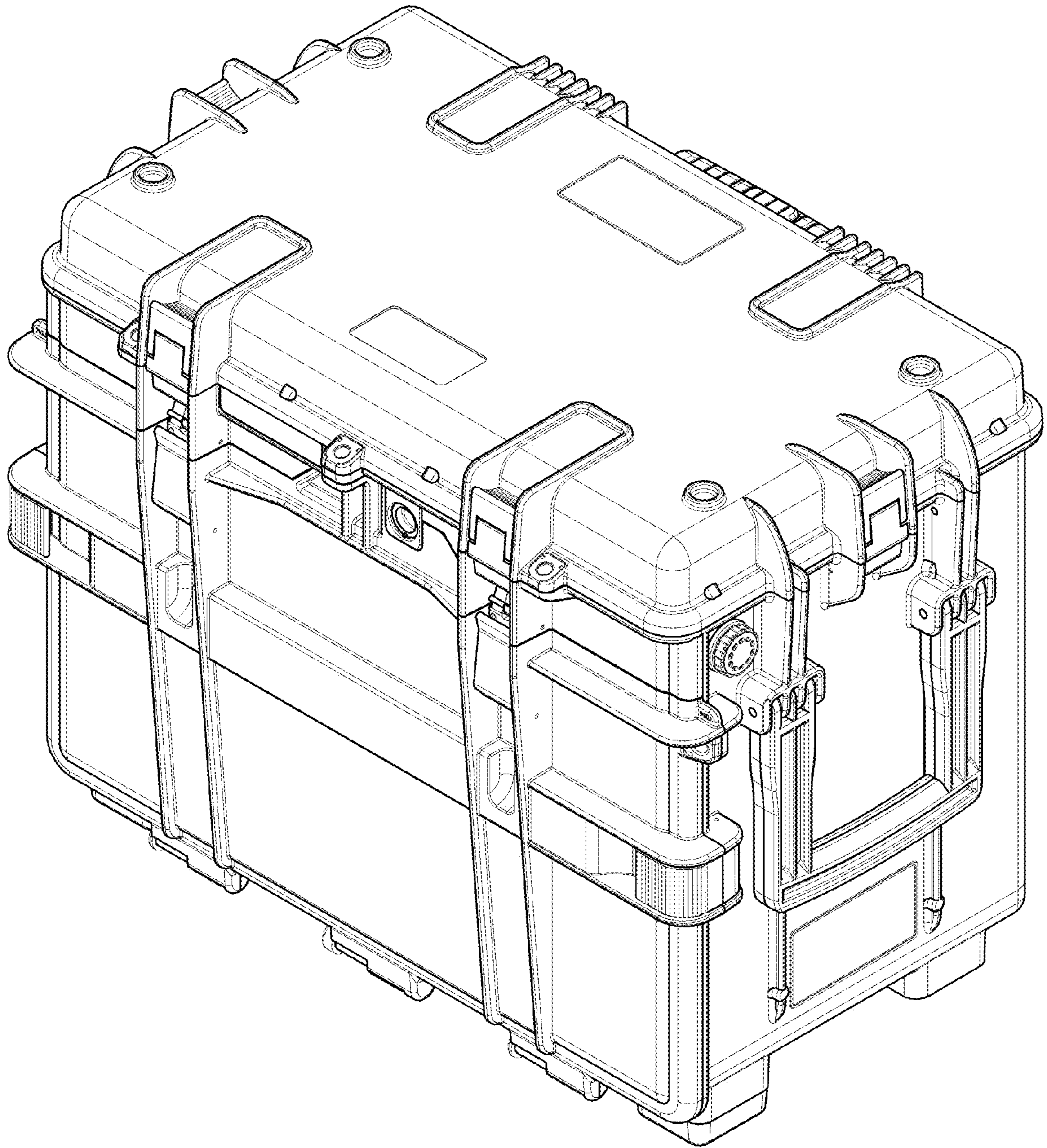


Fig. 1

Fig. 2

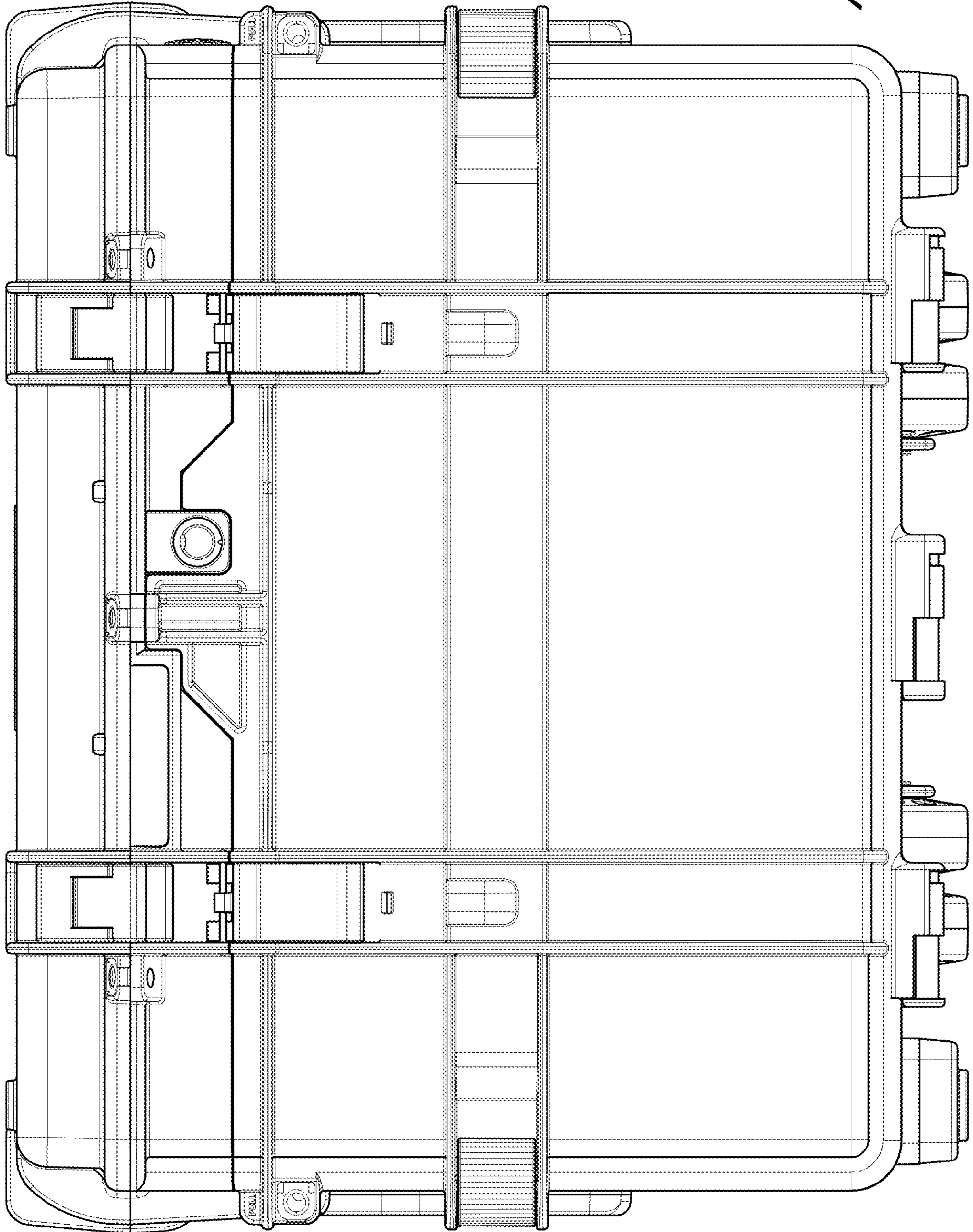


Fig. 3

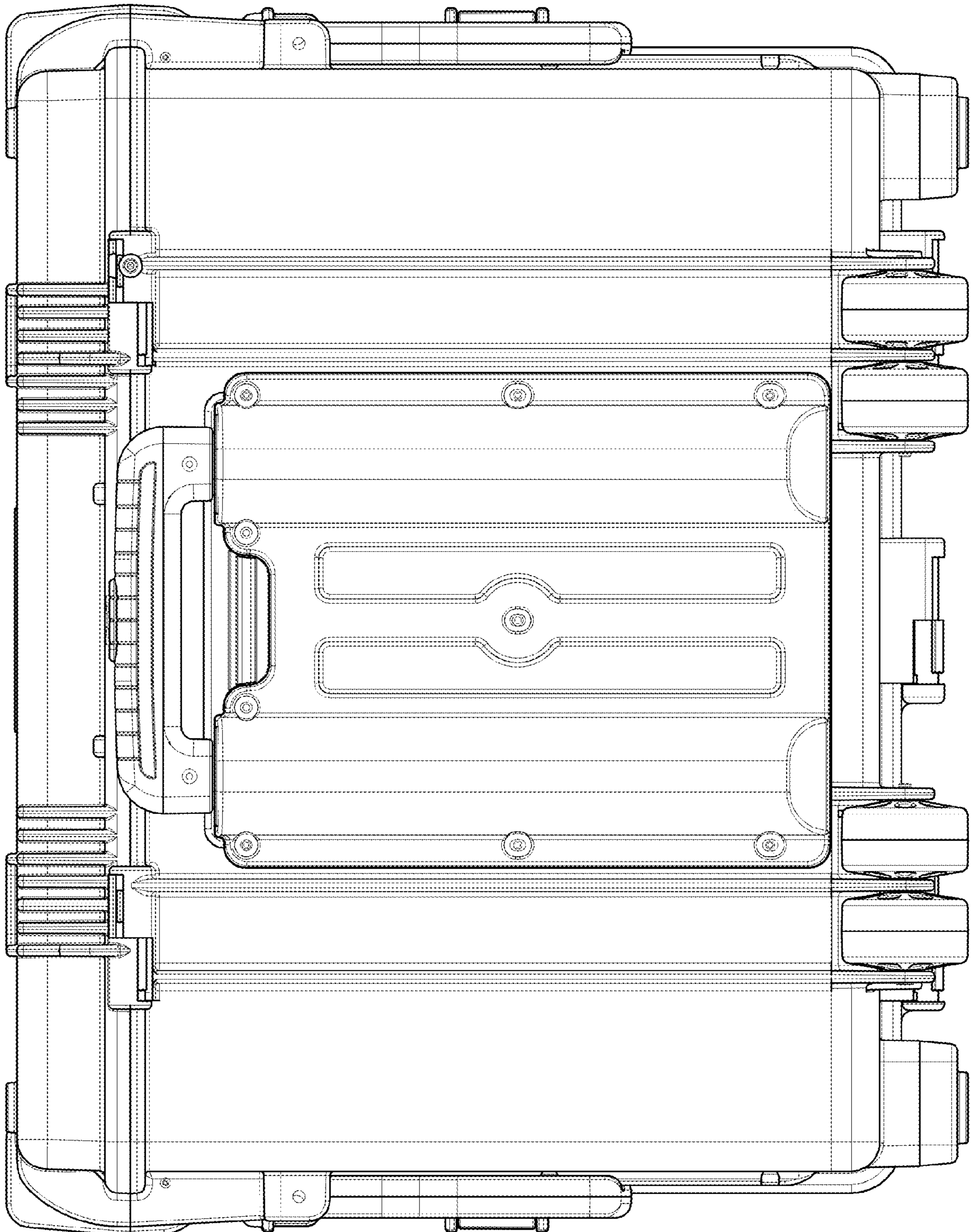


Fig. 4

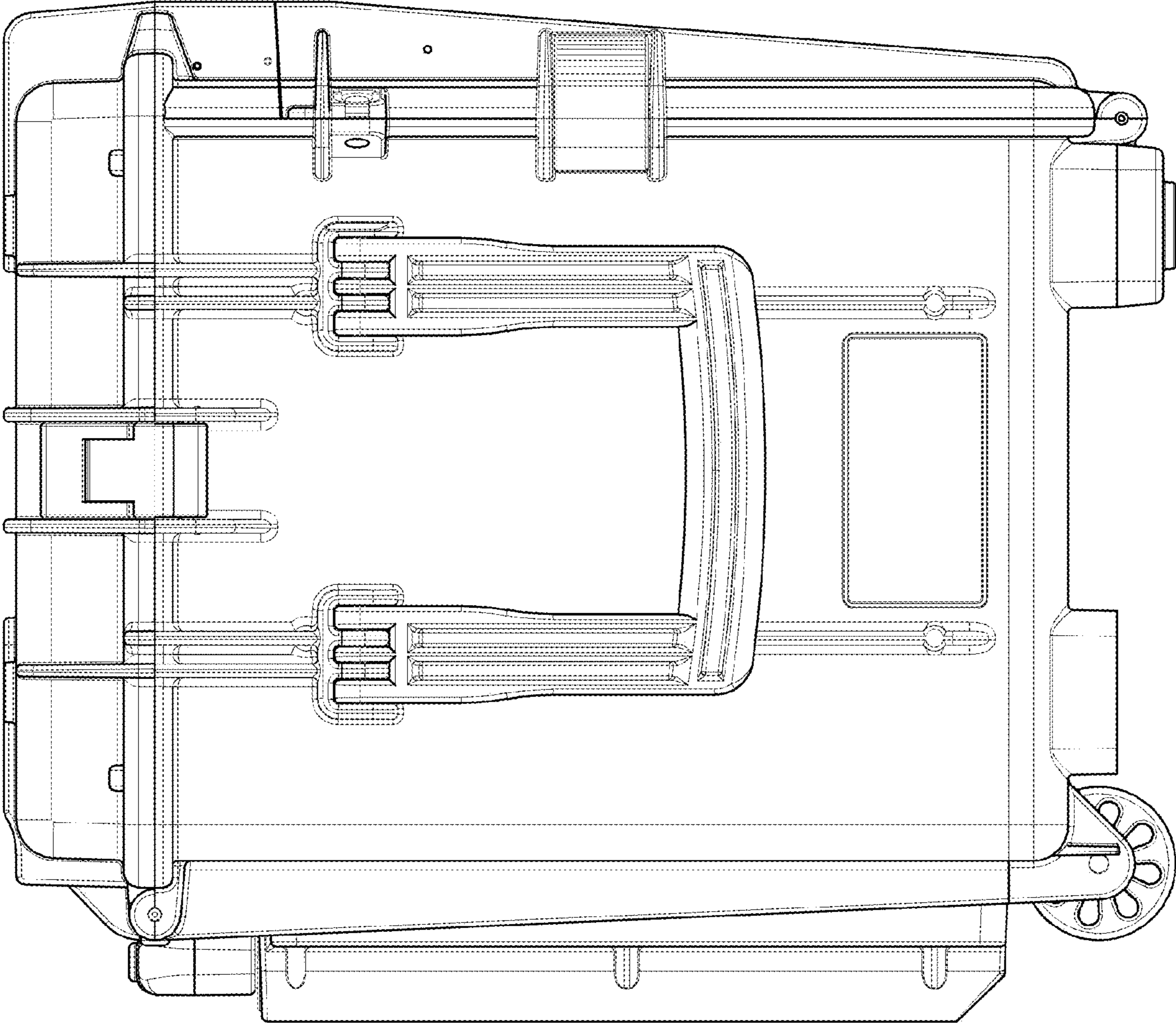
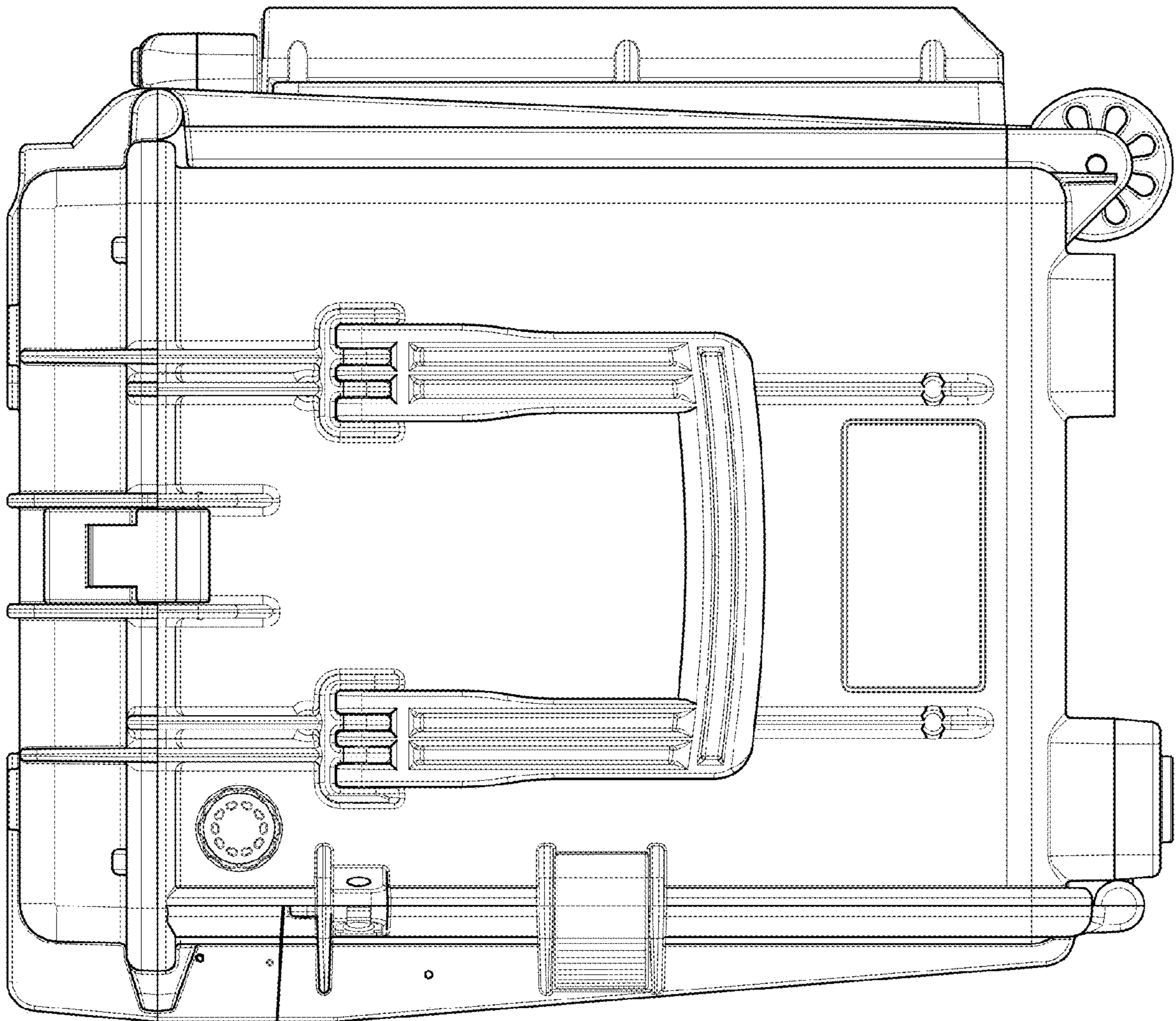


Fig. 5



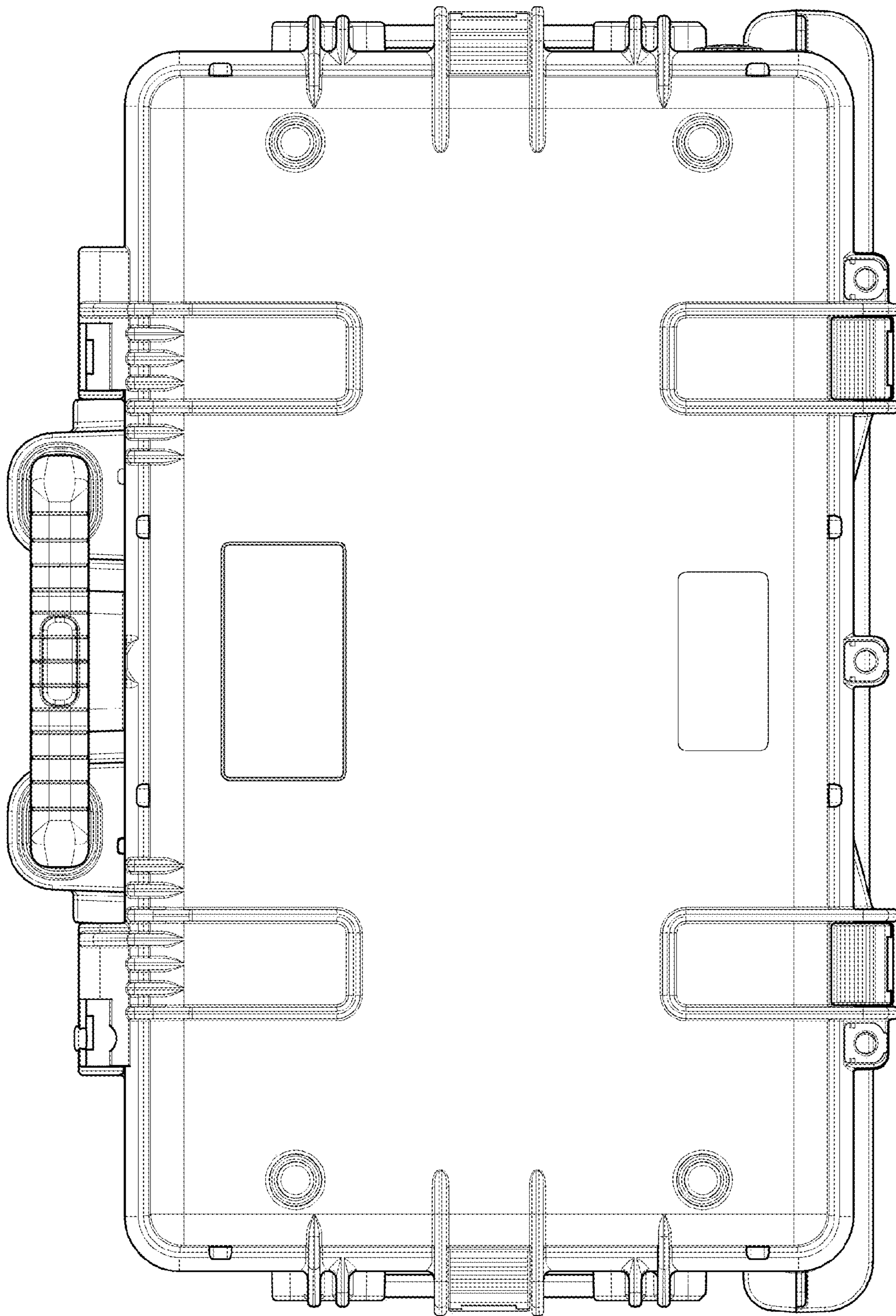


Fig. 6

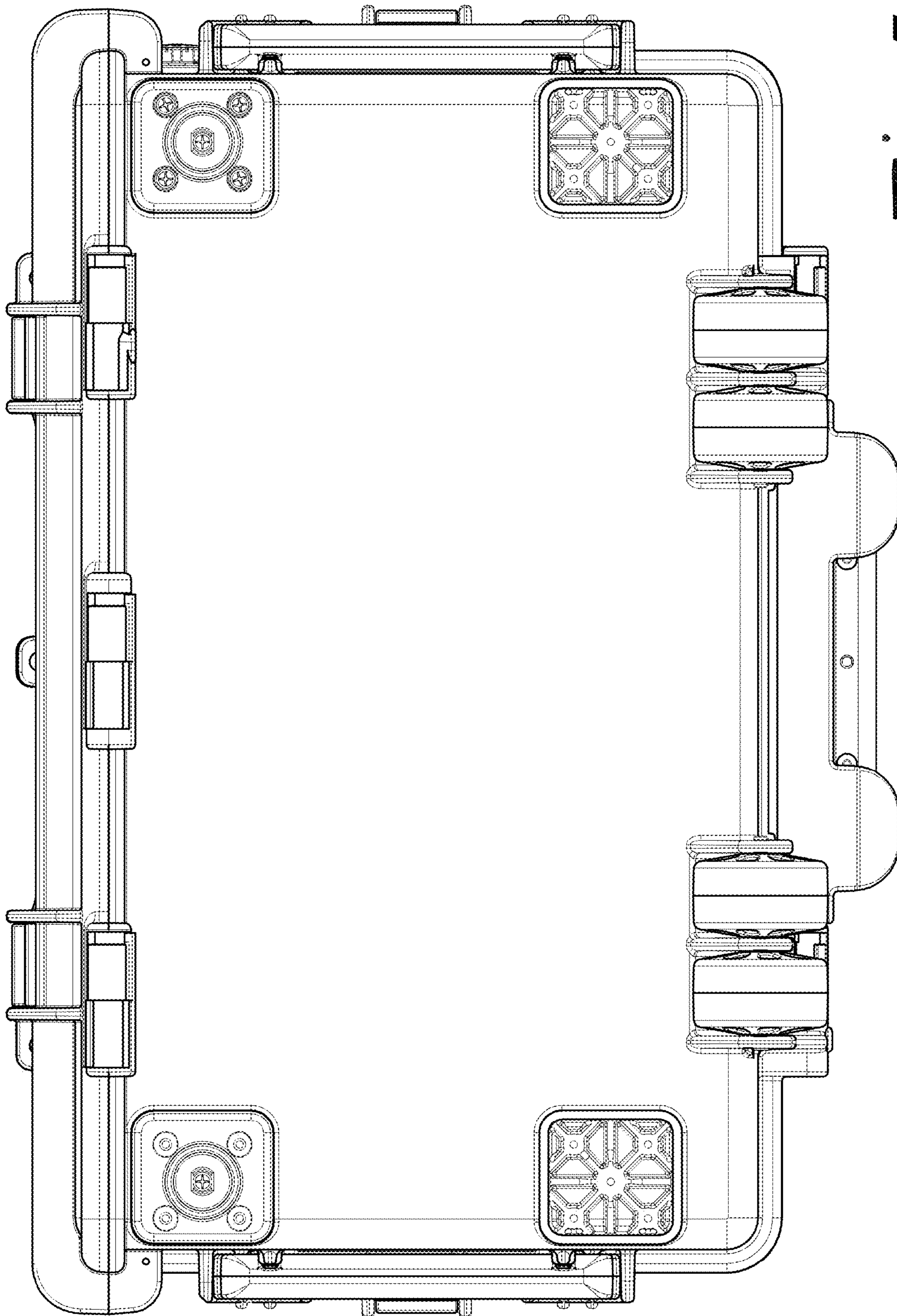


Fig. 7

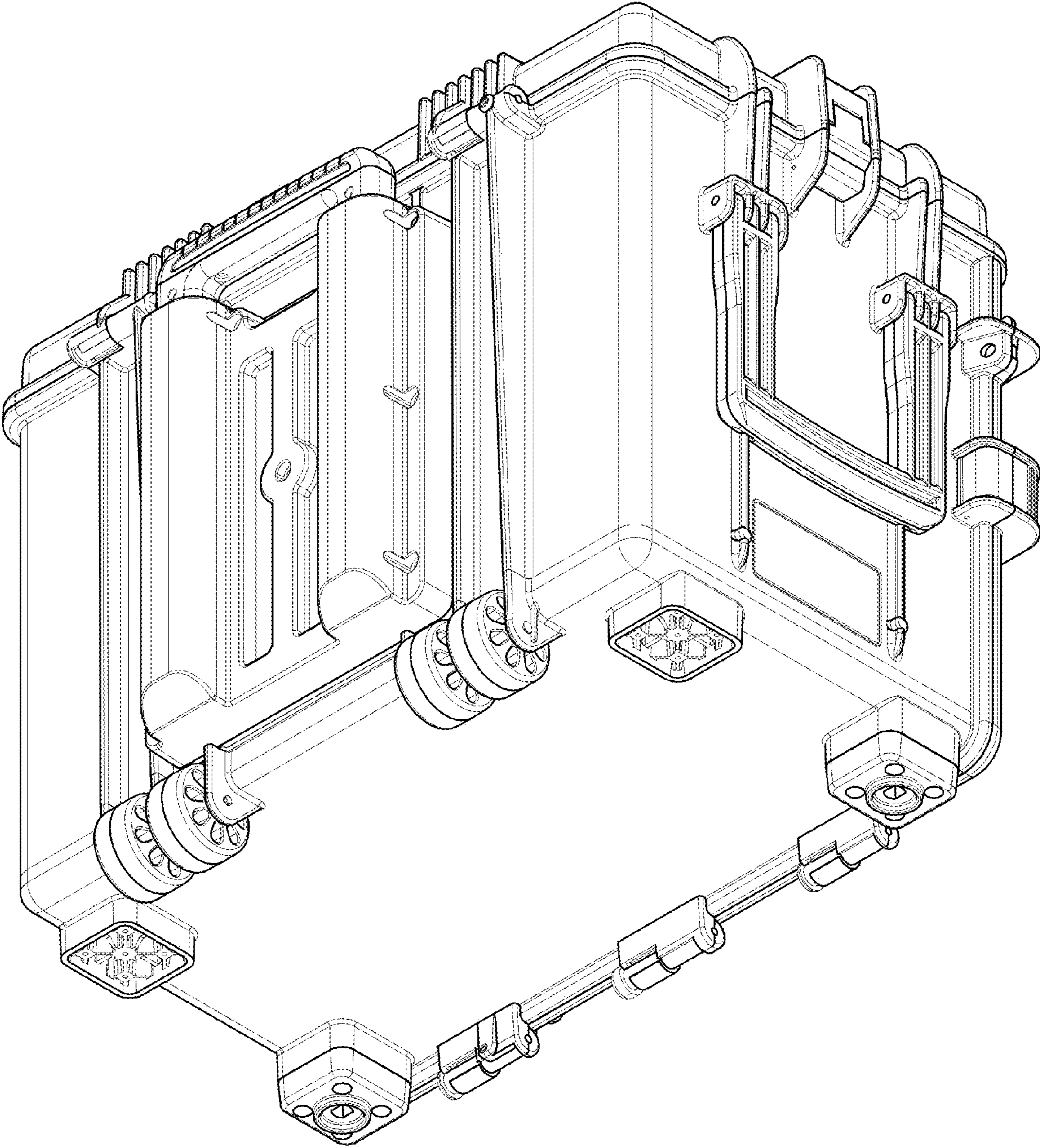


Fig. 8

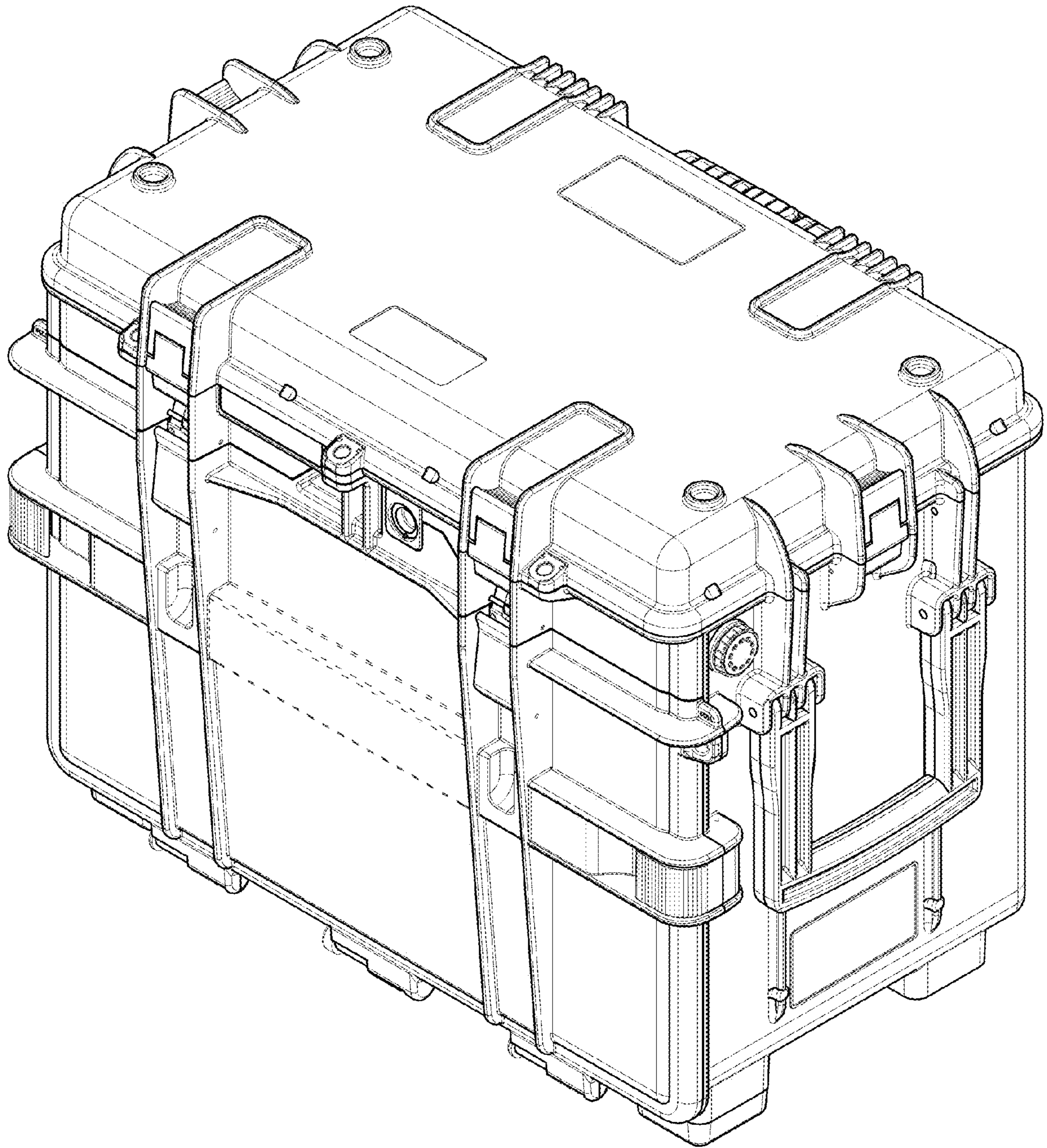


Fig. 9

Fig. 10

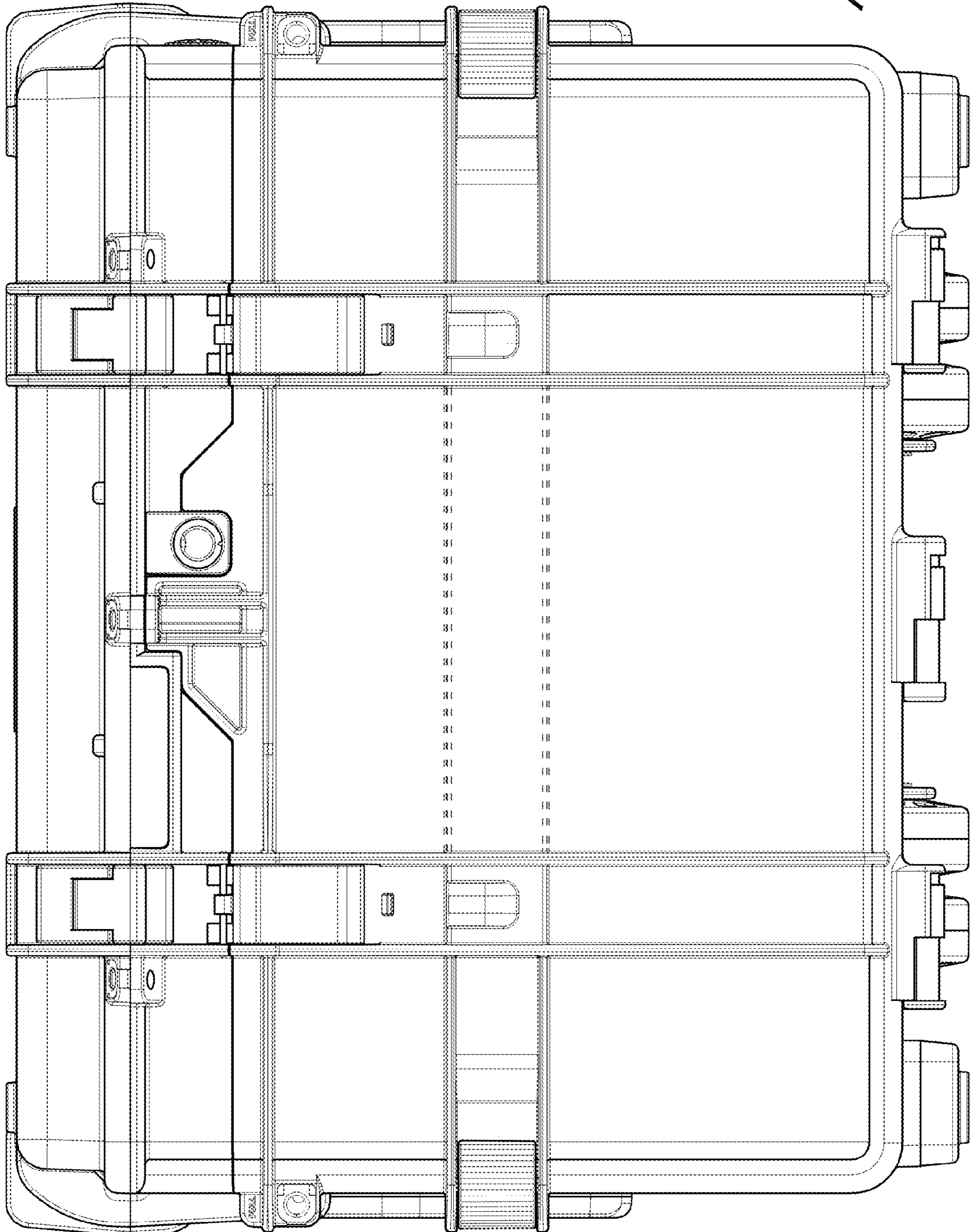
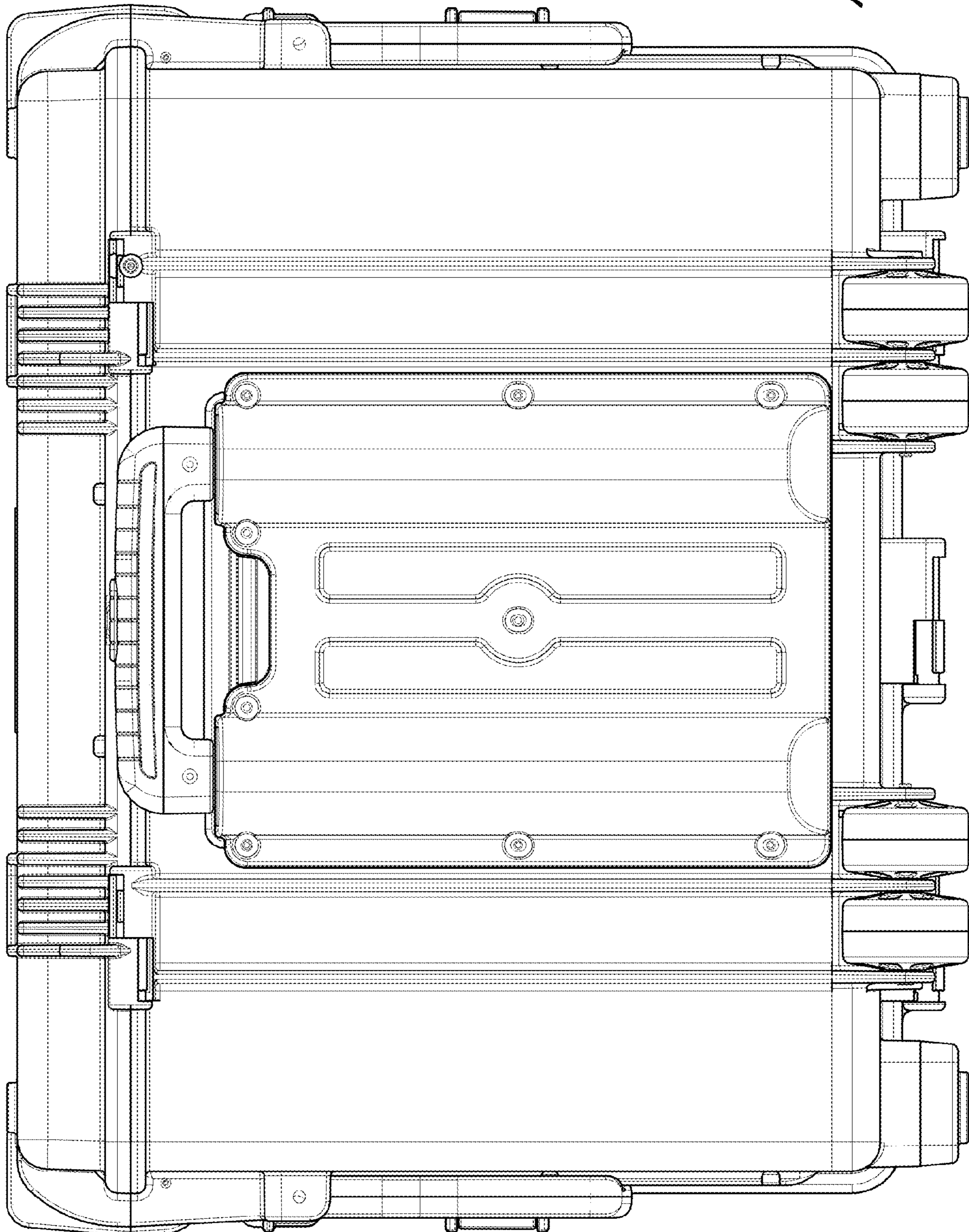


Fig. 11



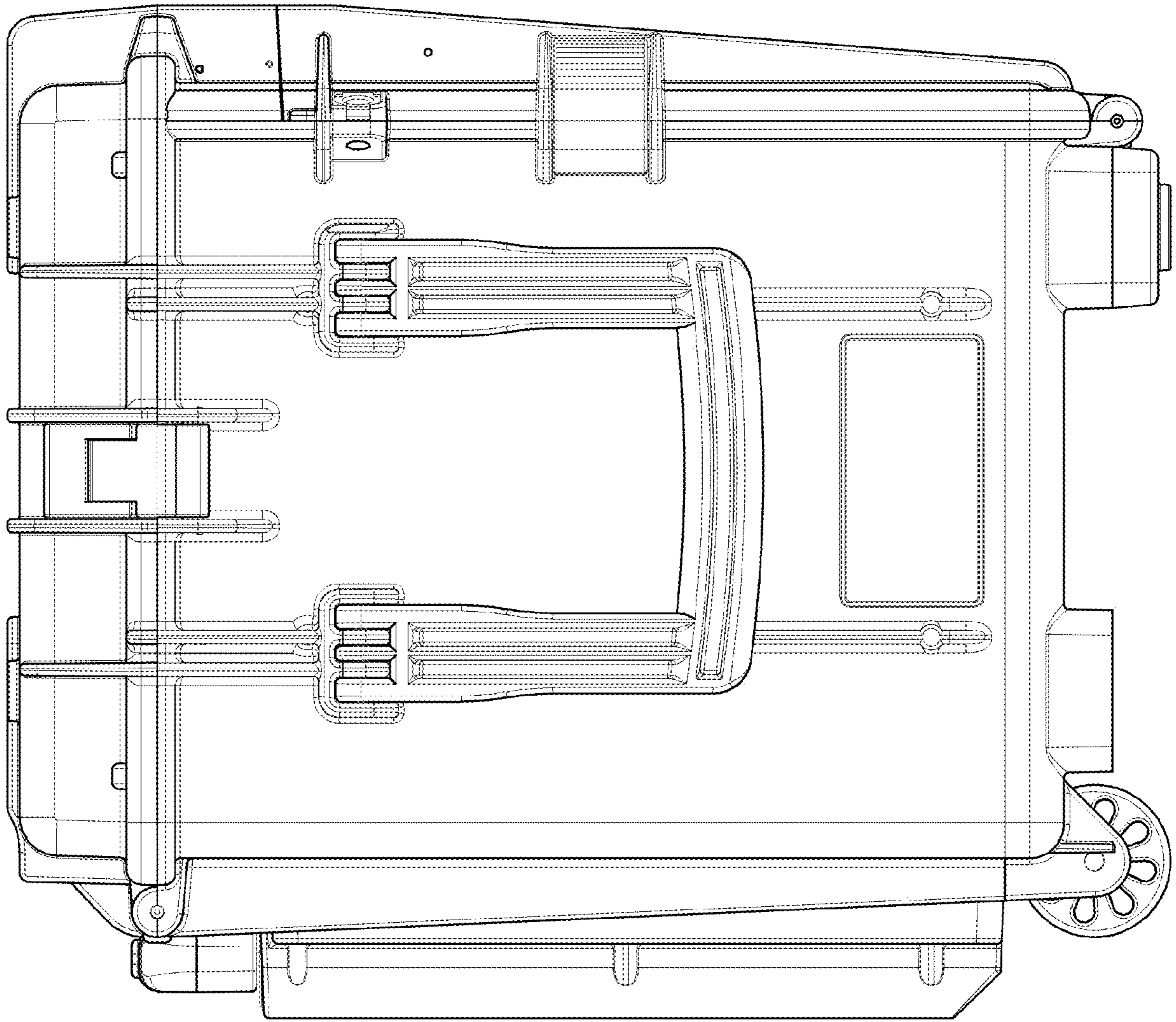
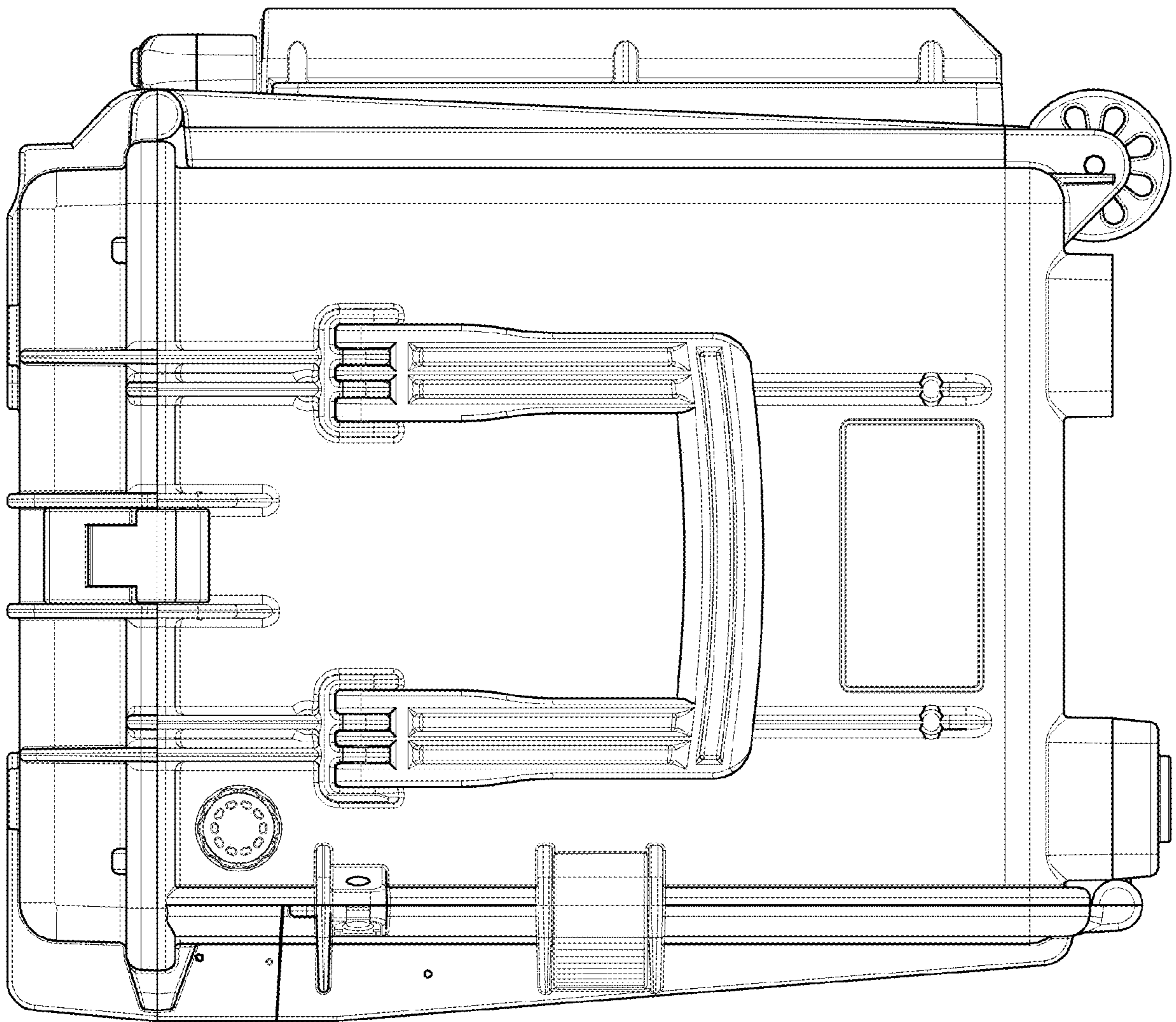


Fig. 12

Fig. 13



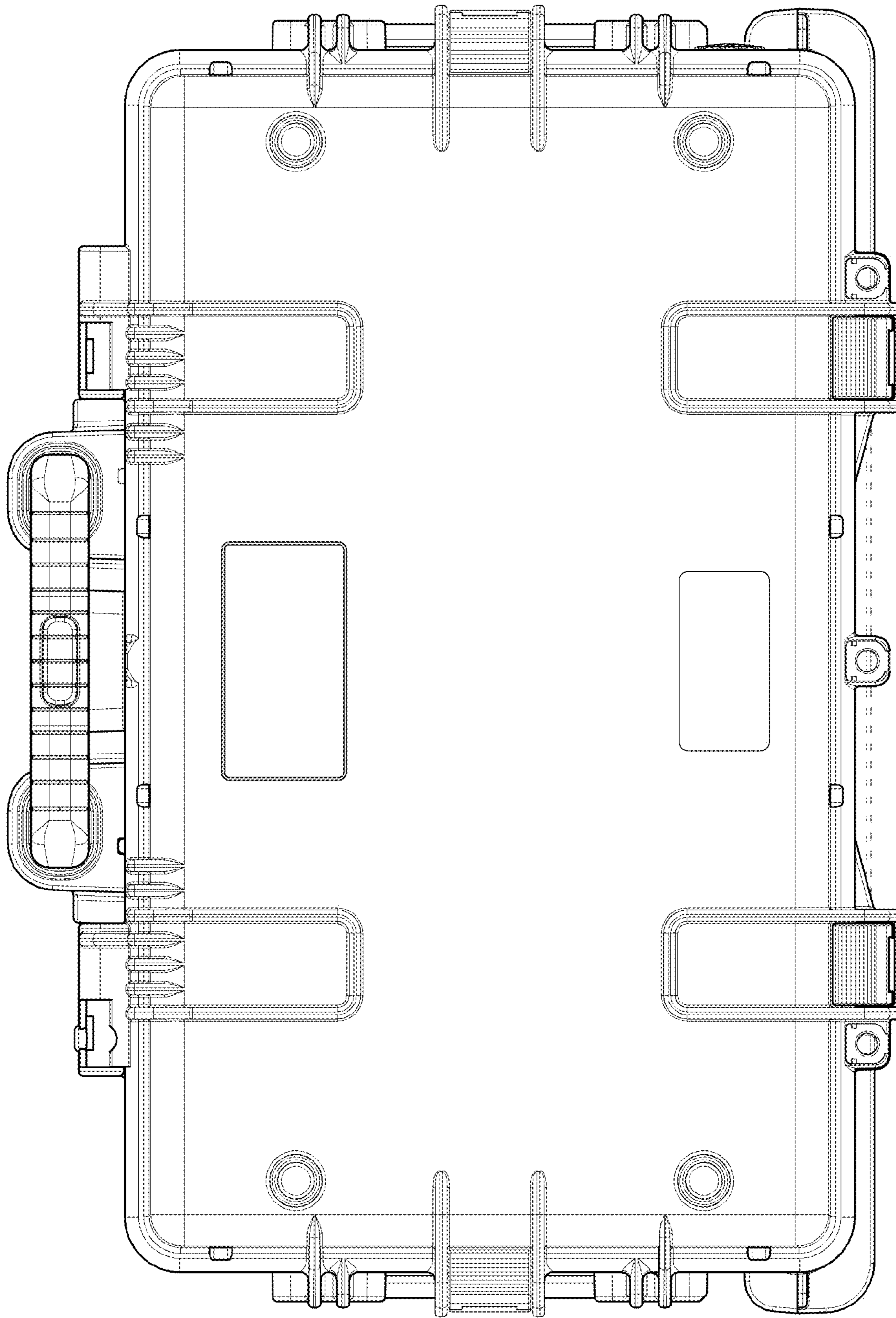


Fig. 14

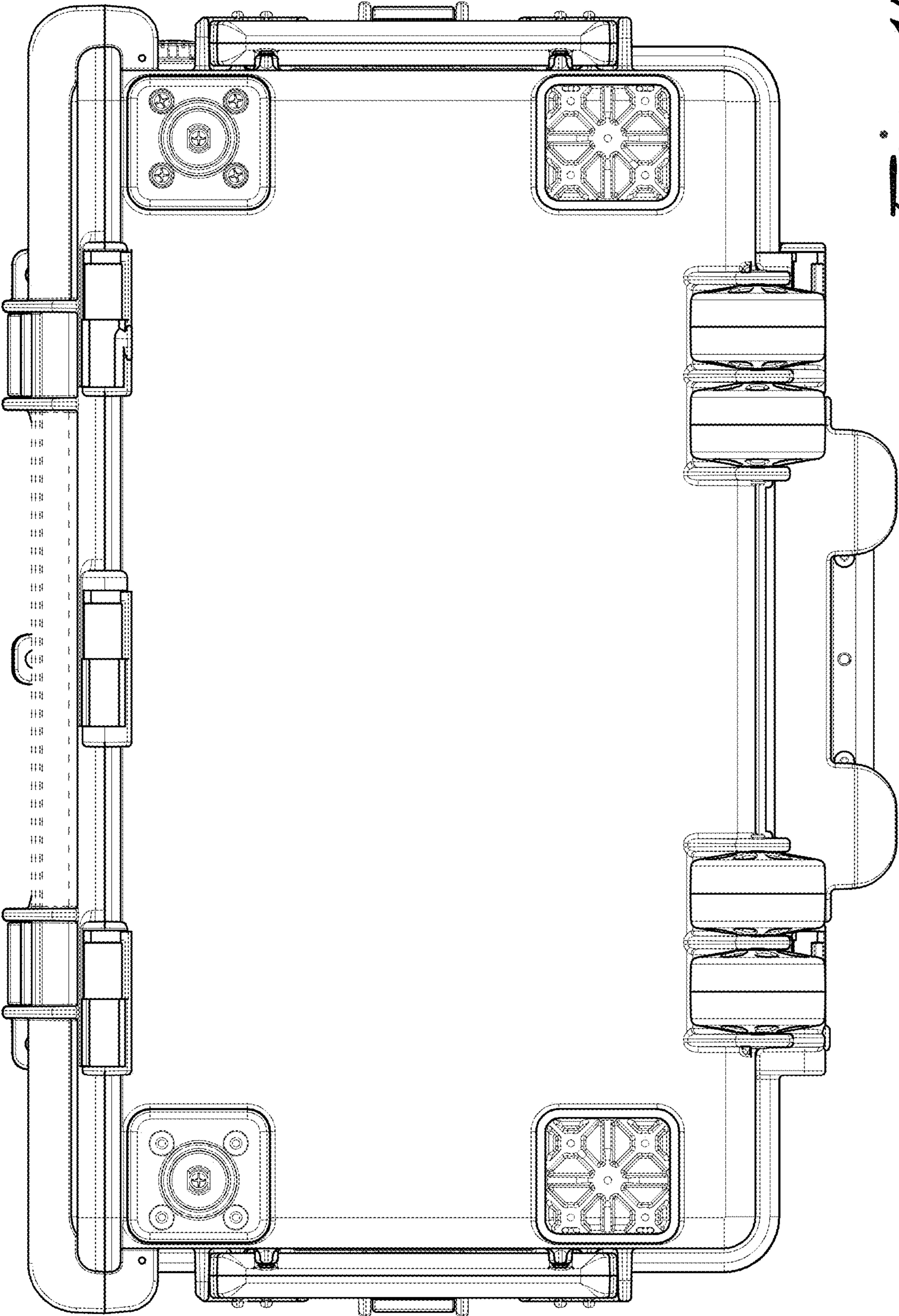


Fig. 15

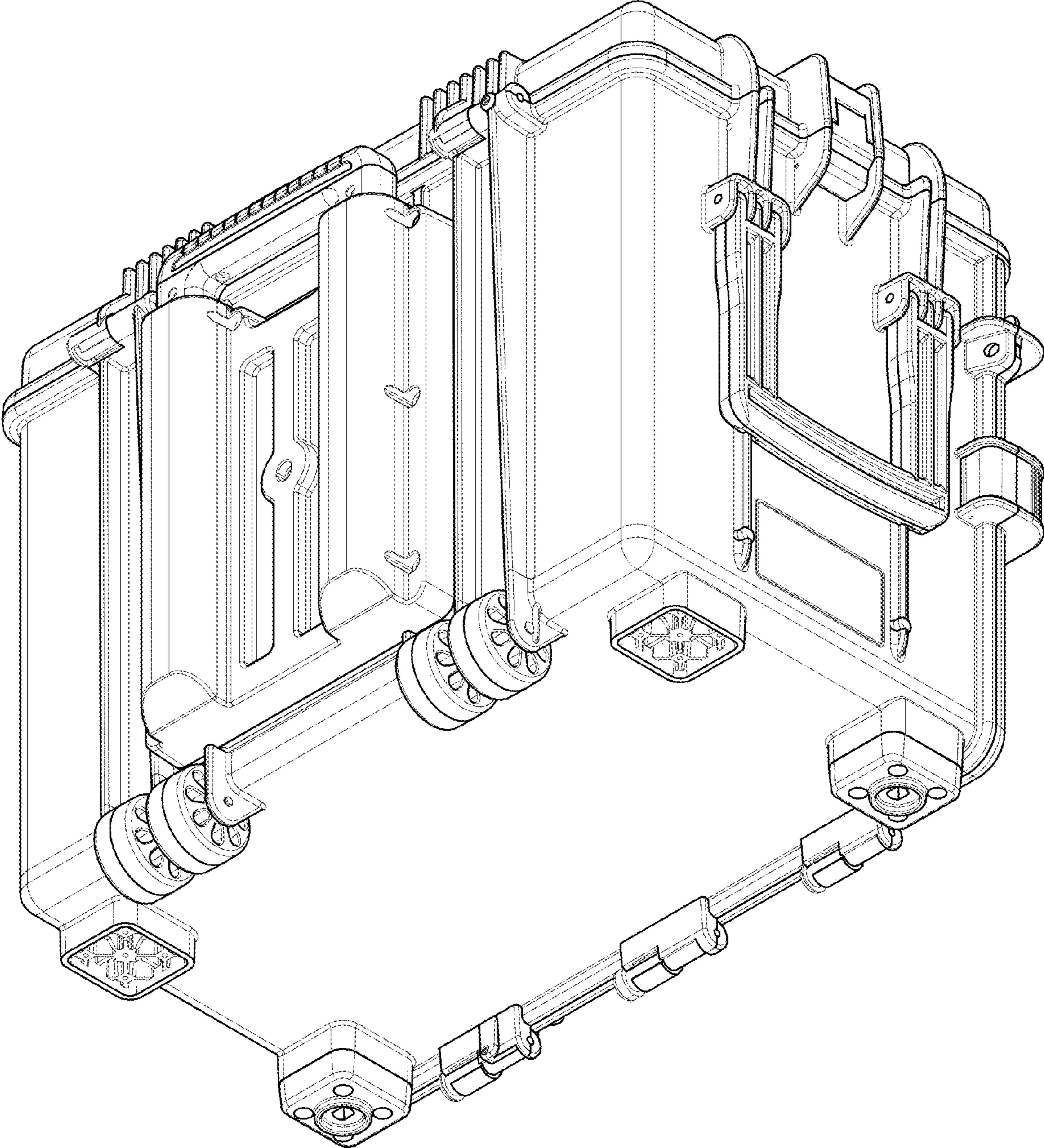


Fig. 16

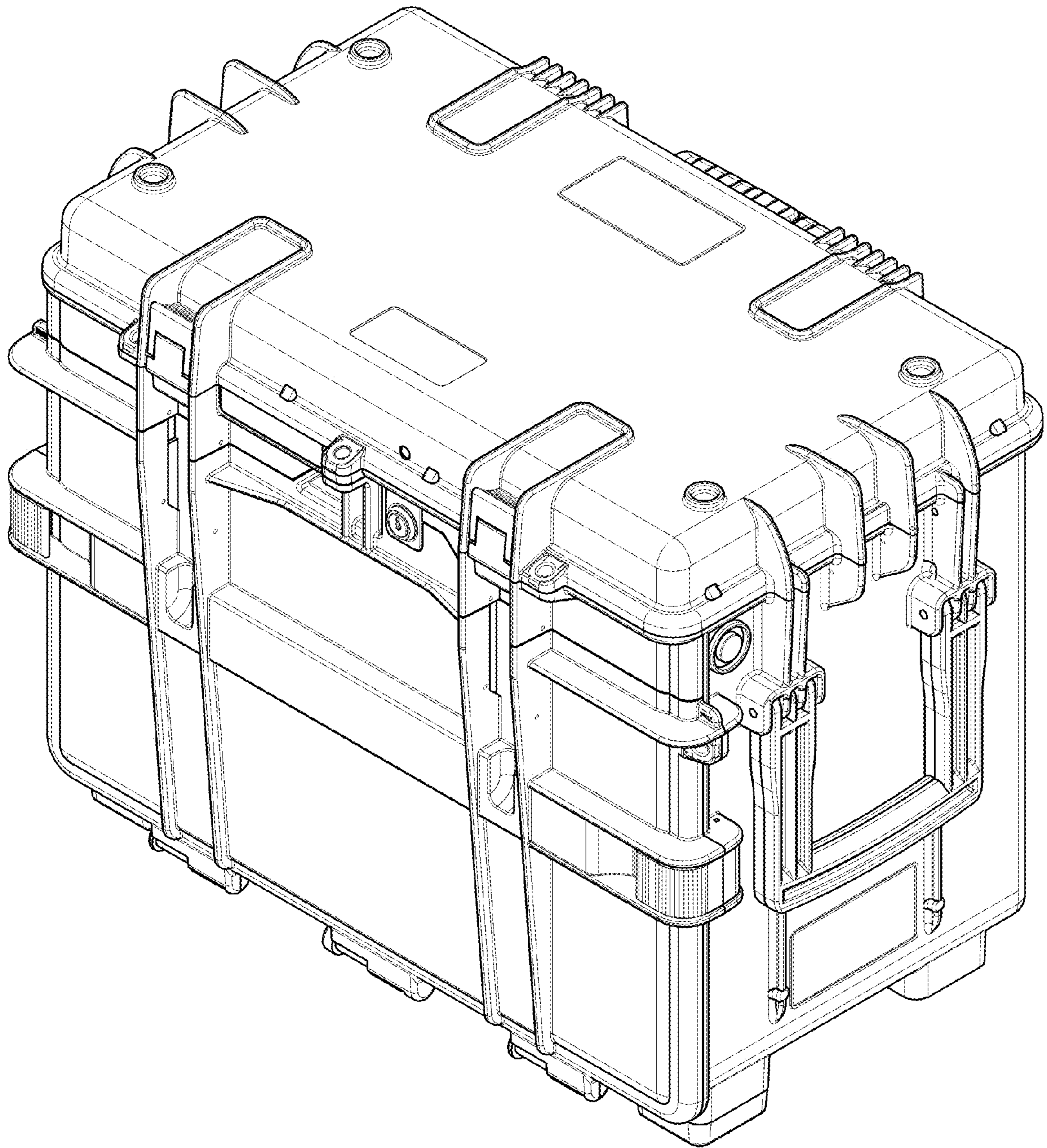


Fig. 17

Fig. 18

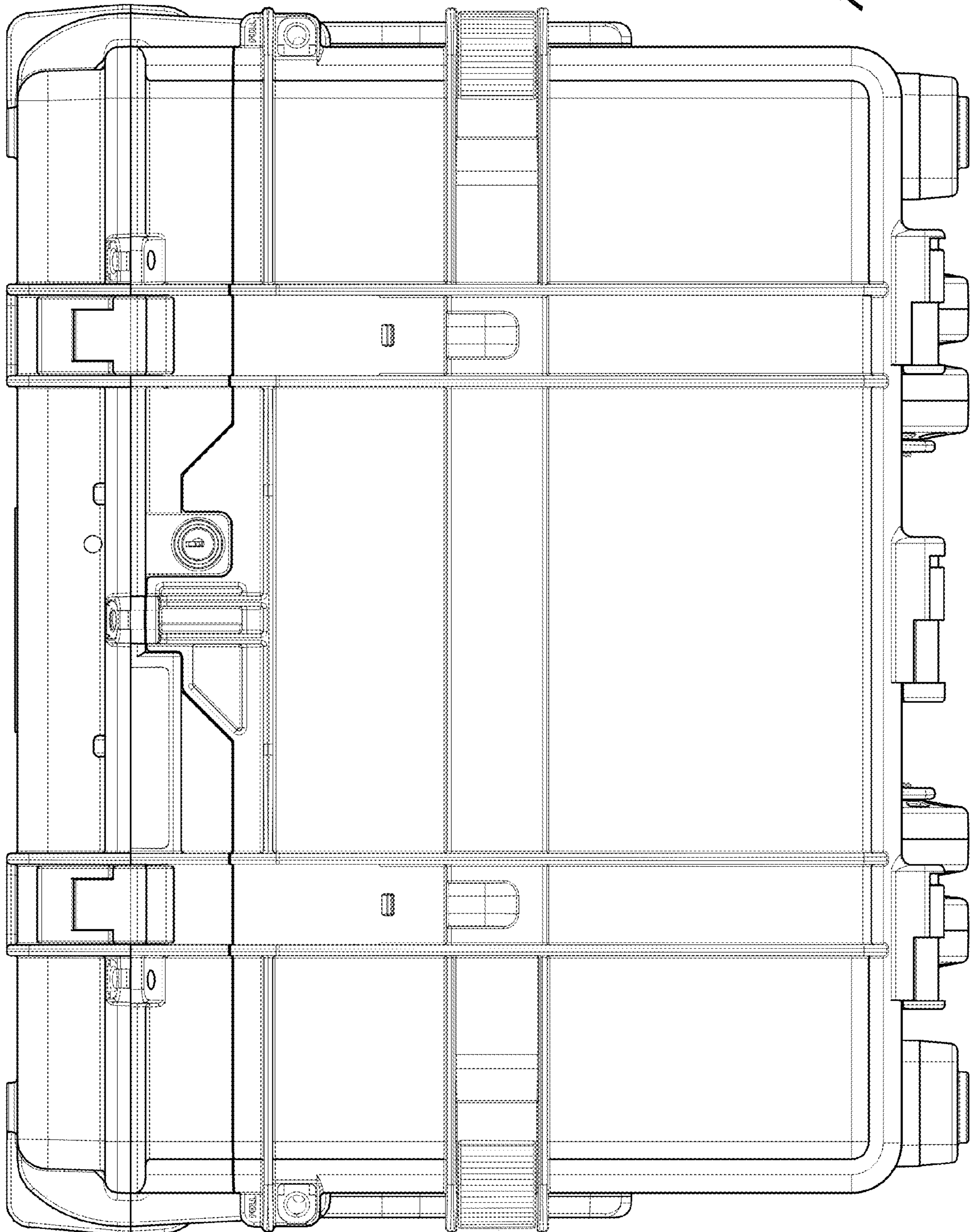
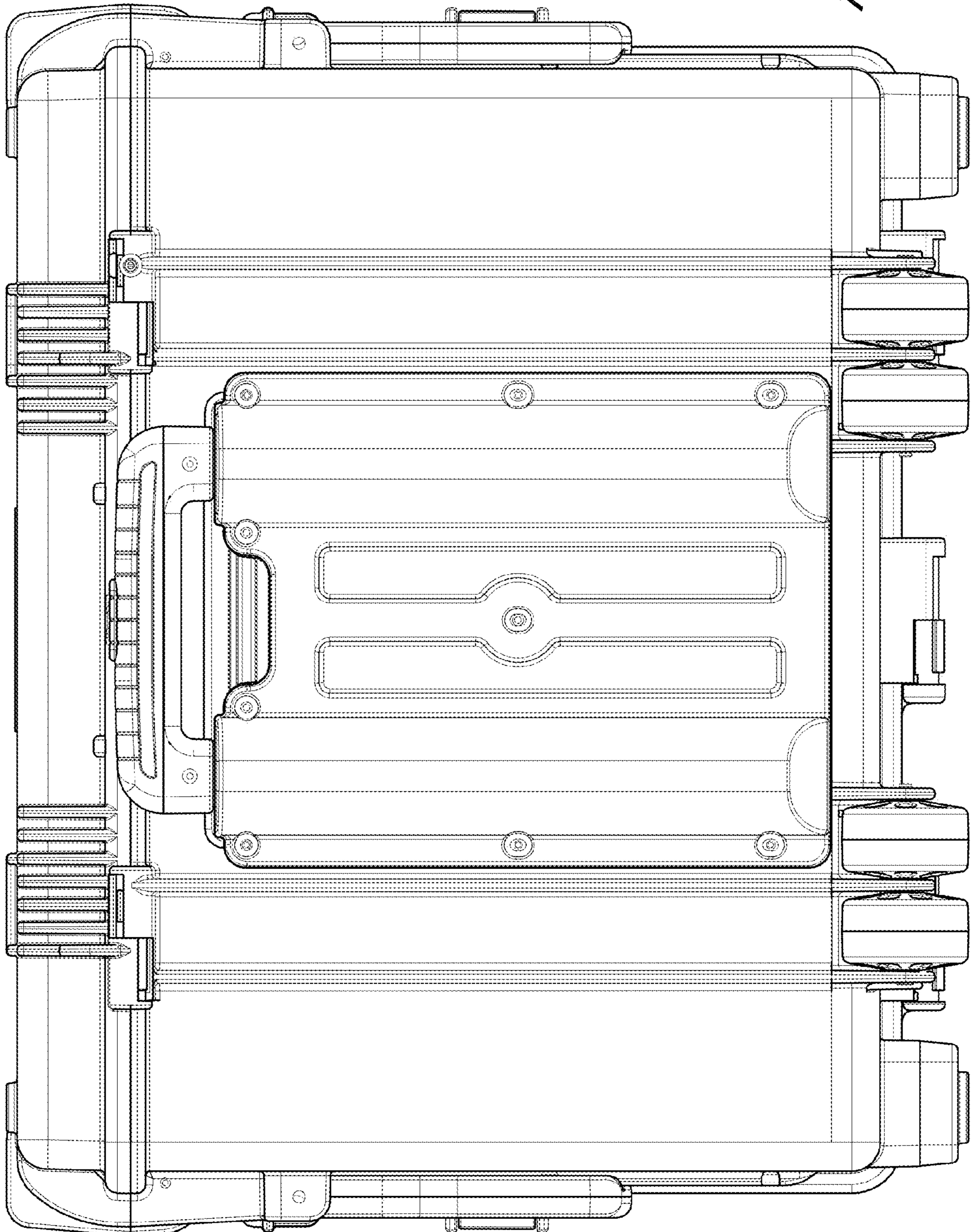


Fig. 19



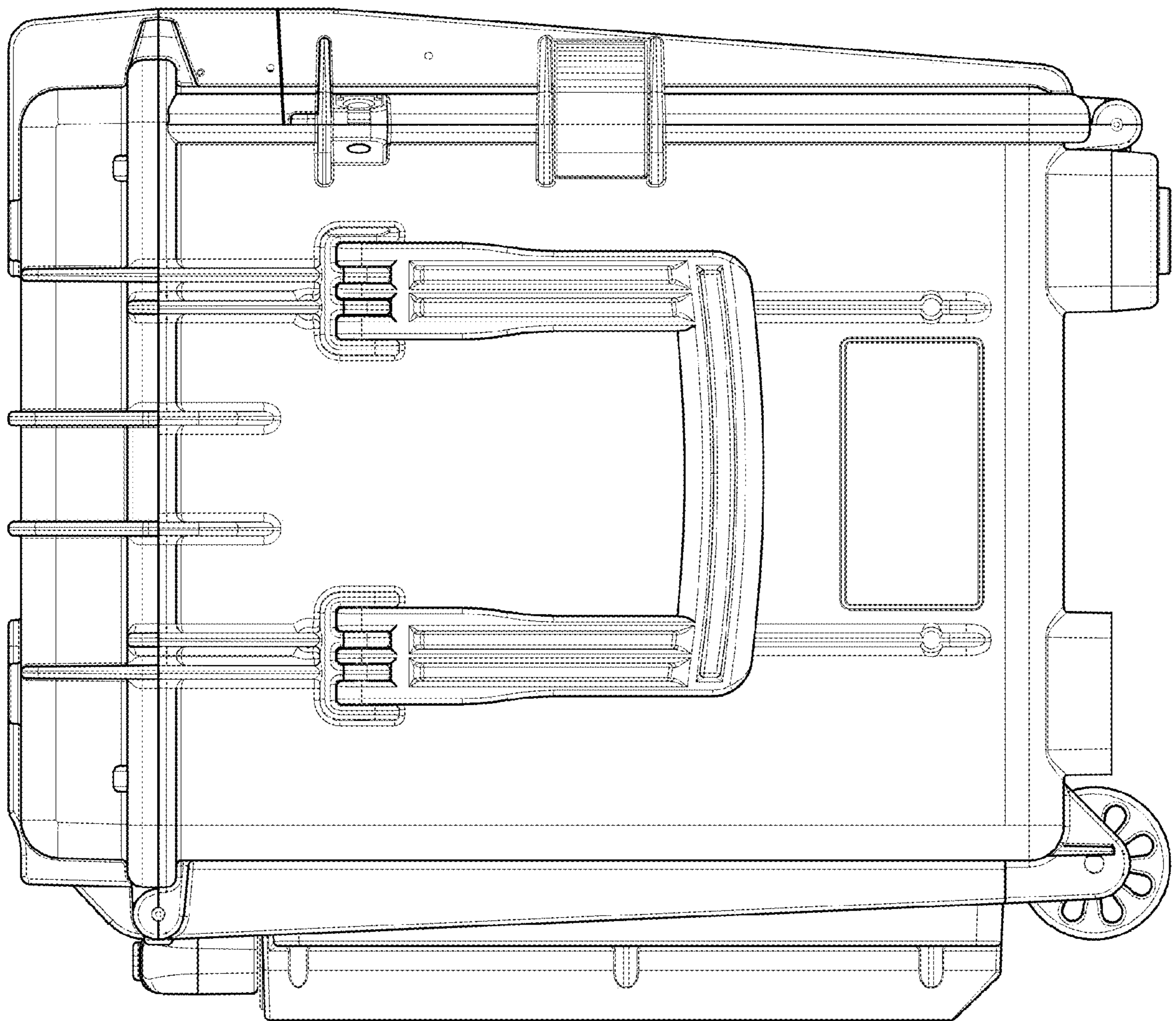
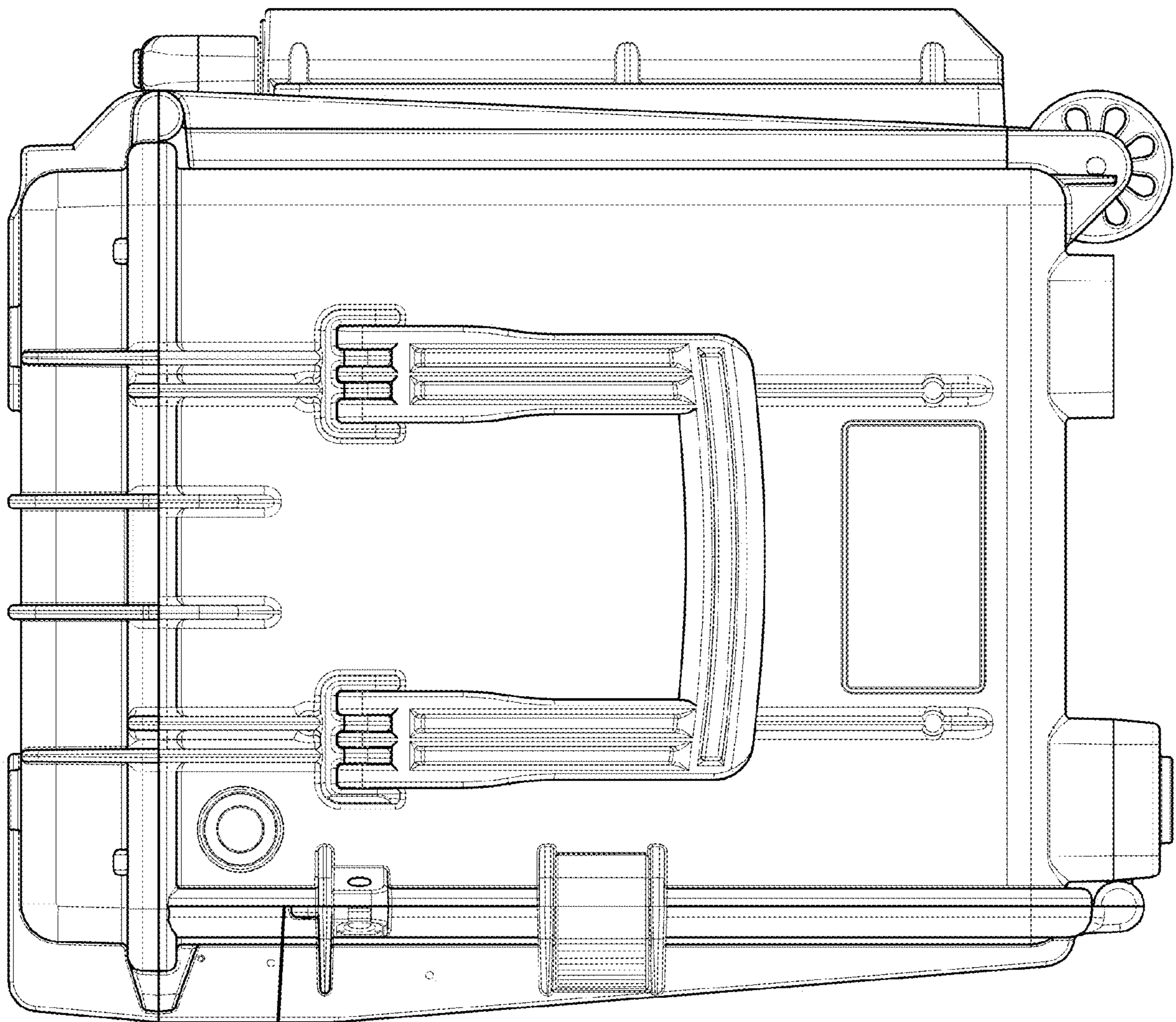


Fig. 20

Fig. 21



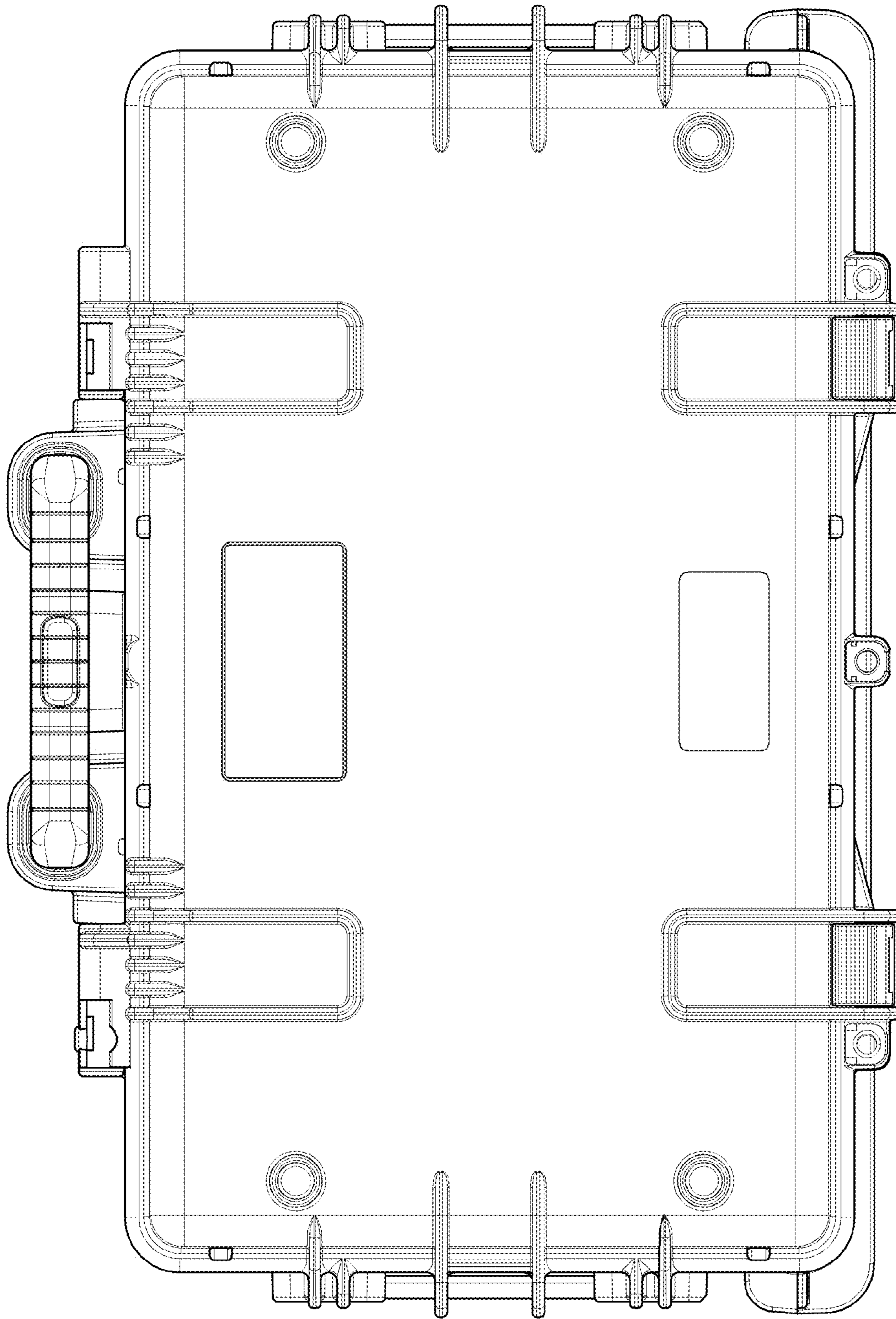


Fig. 22

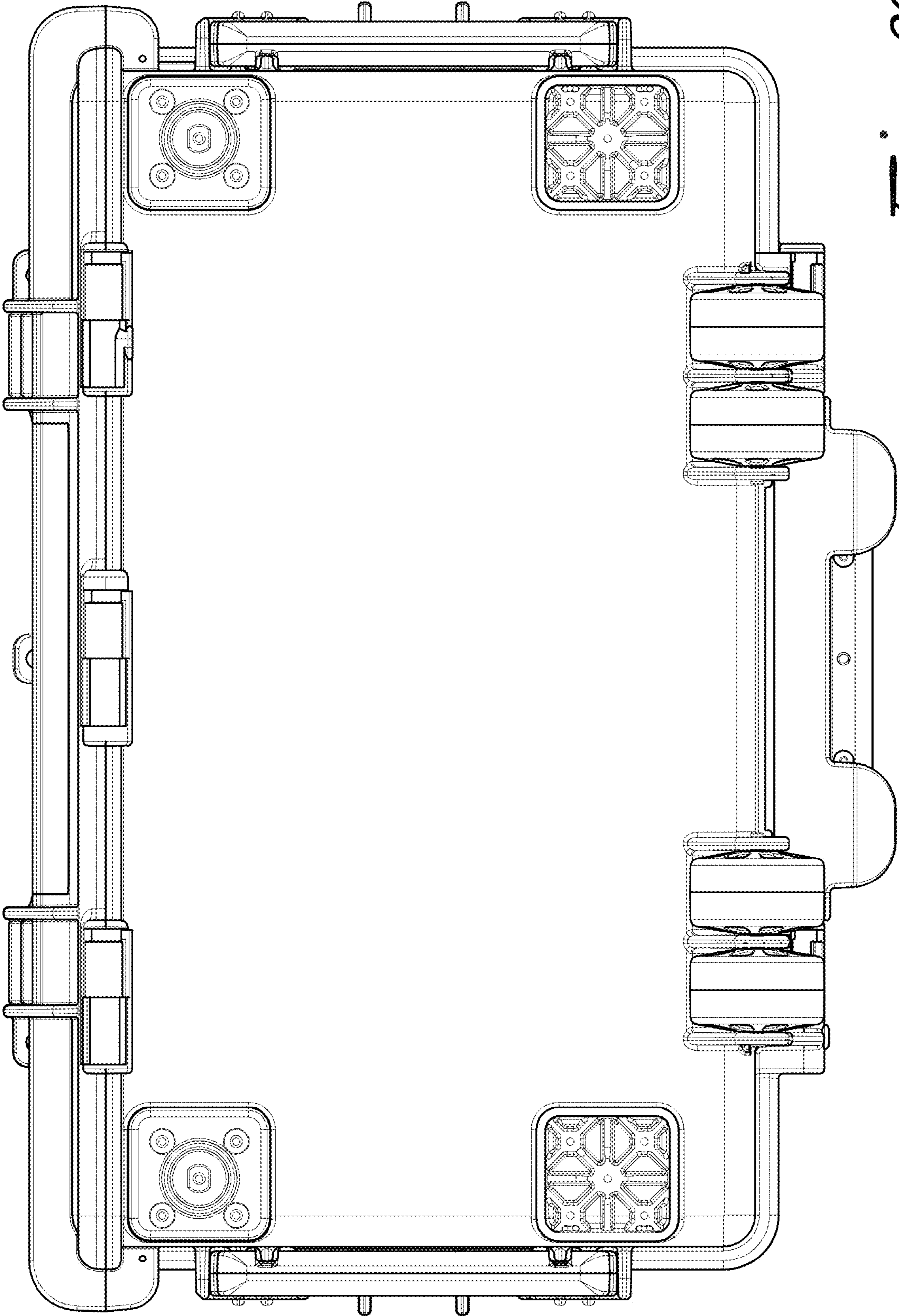


Fig. 23

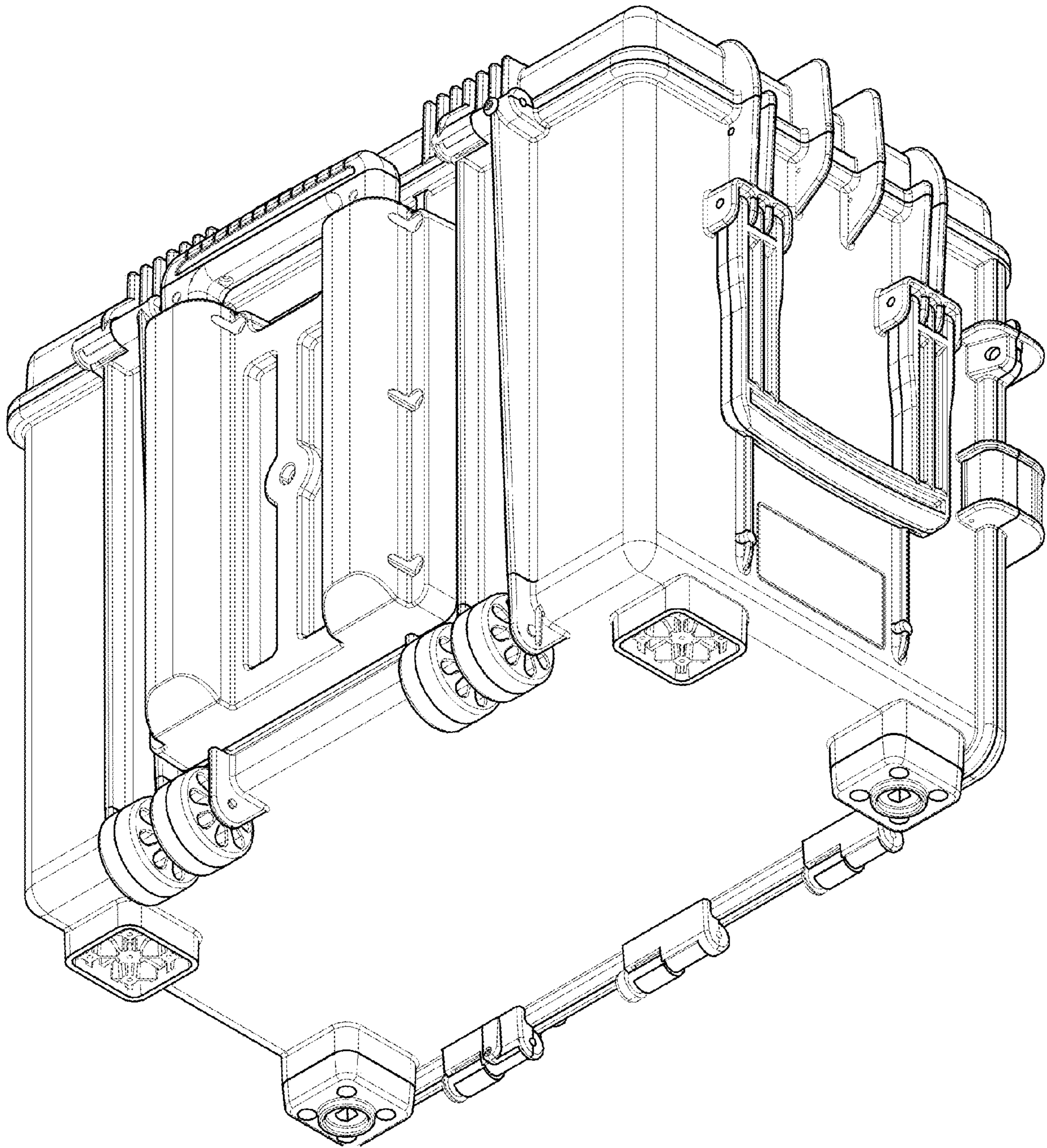


Fig. 24

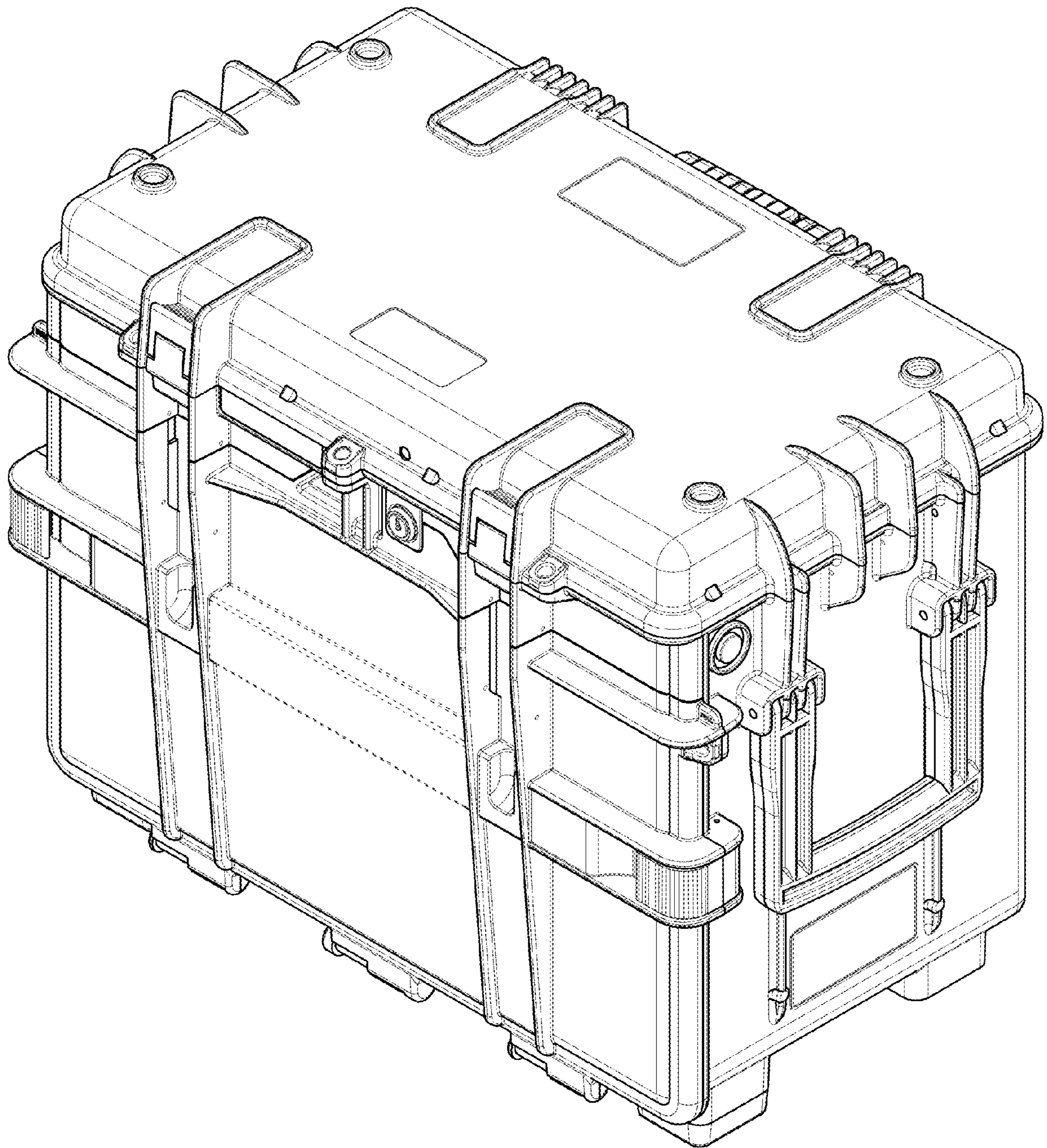


Fig. 25

Fig. 26

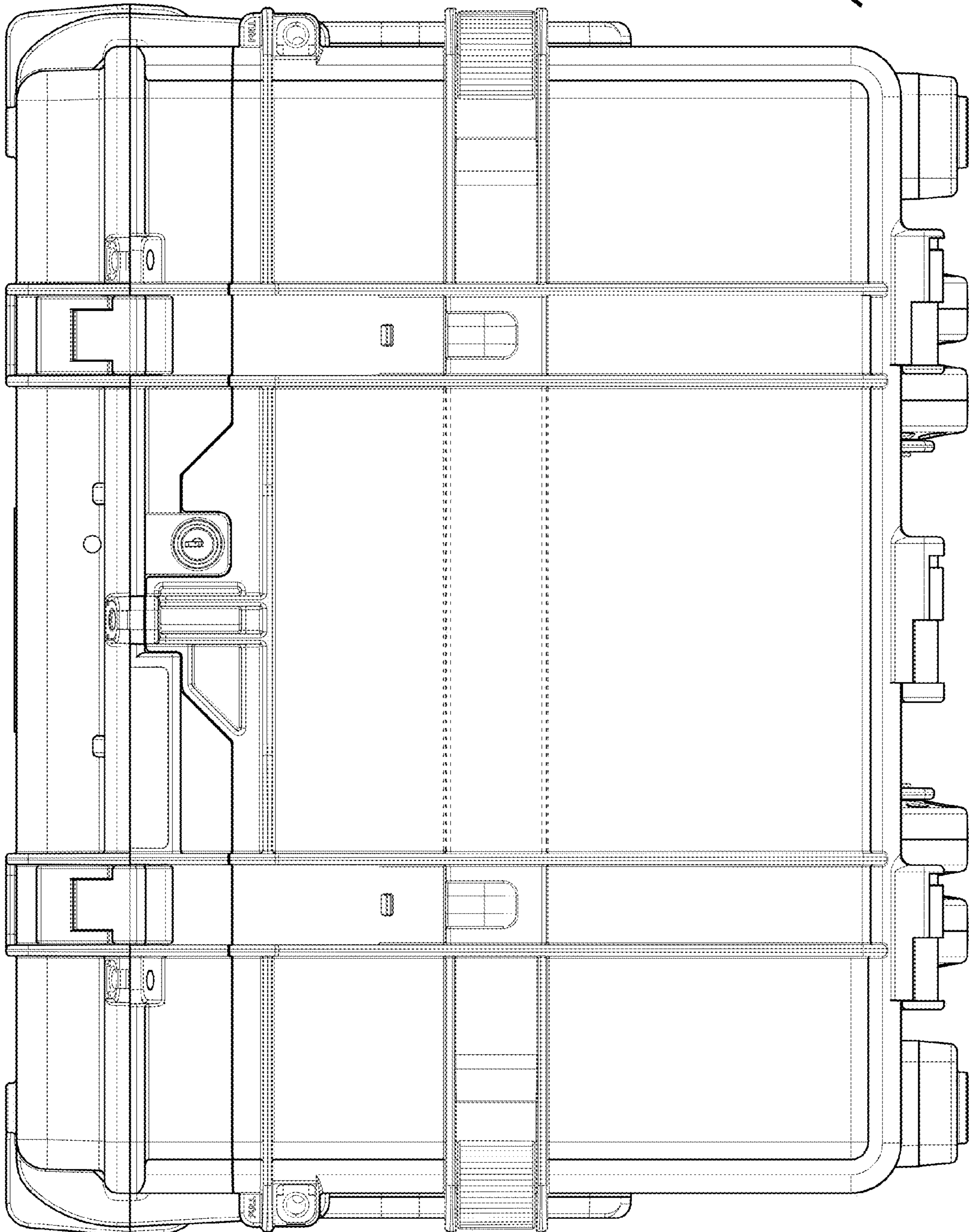
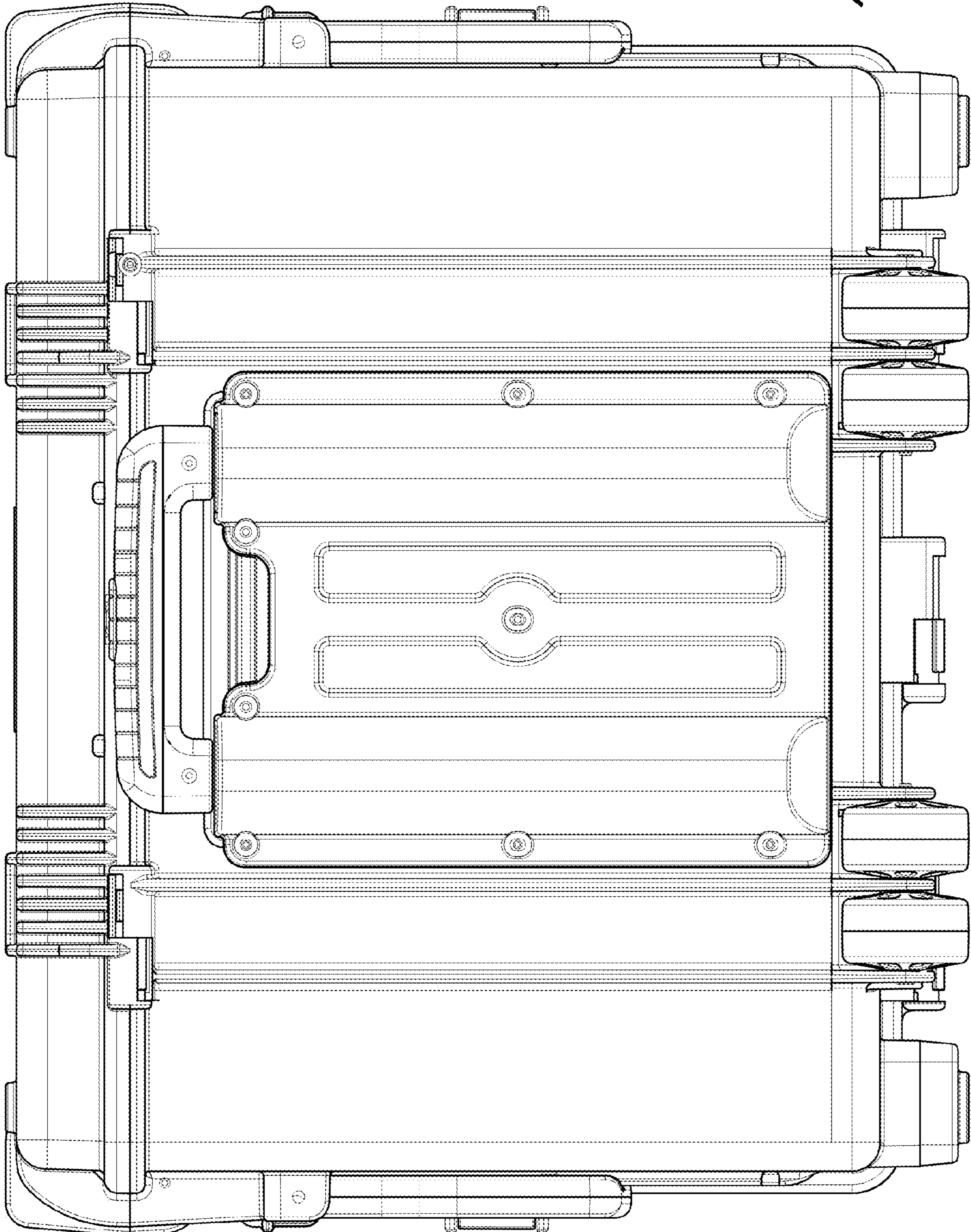


Fig. 27



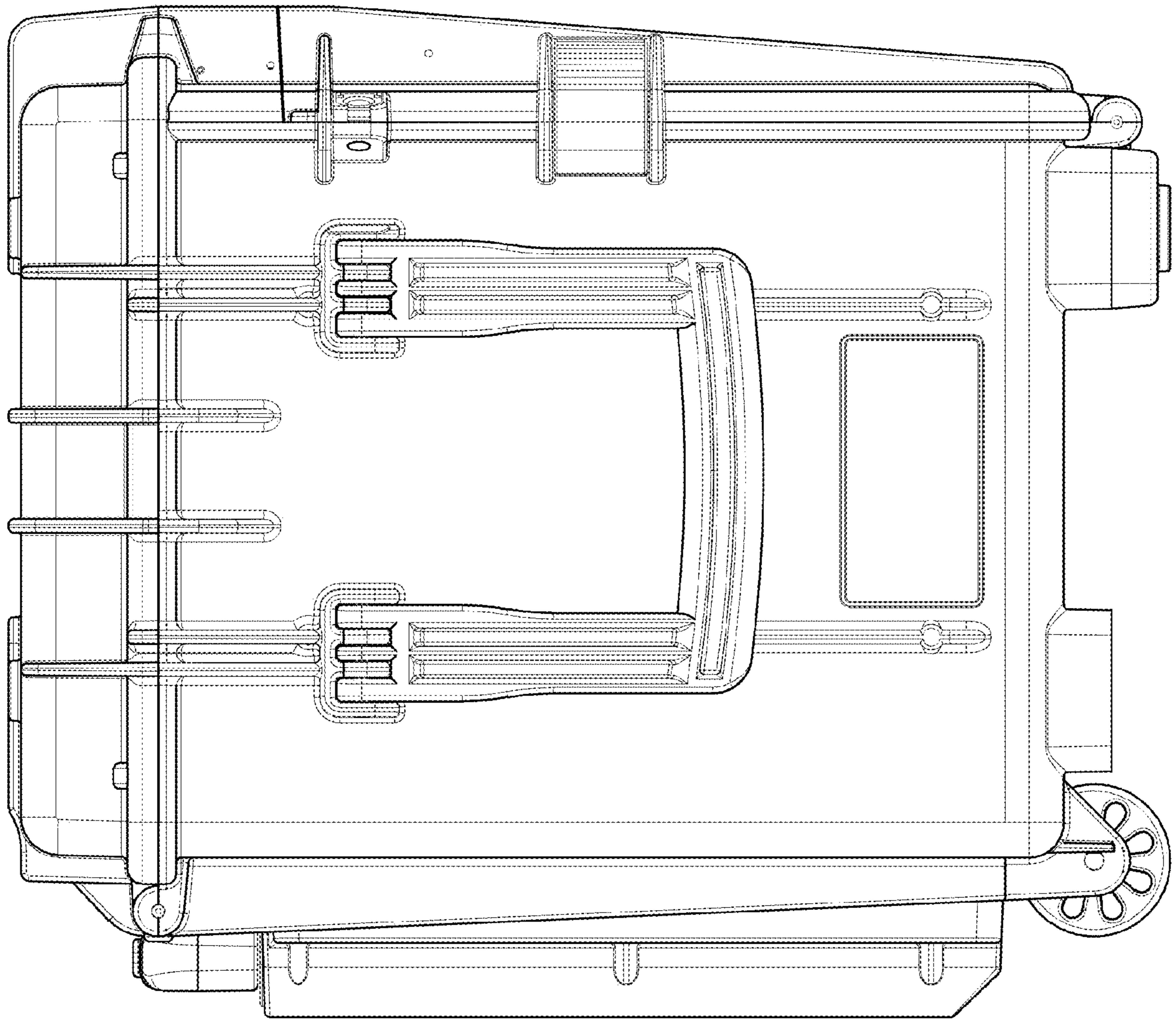
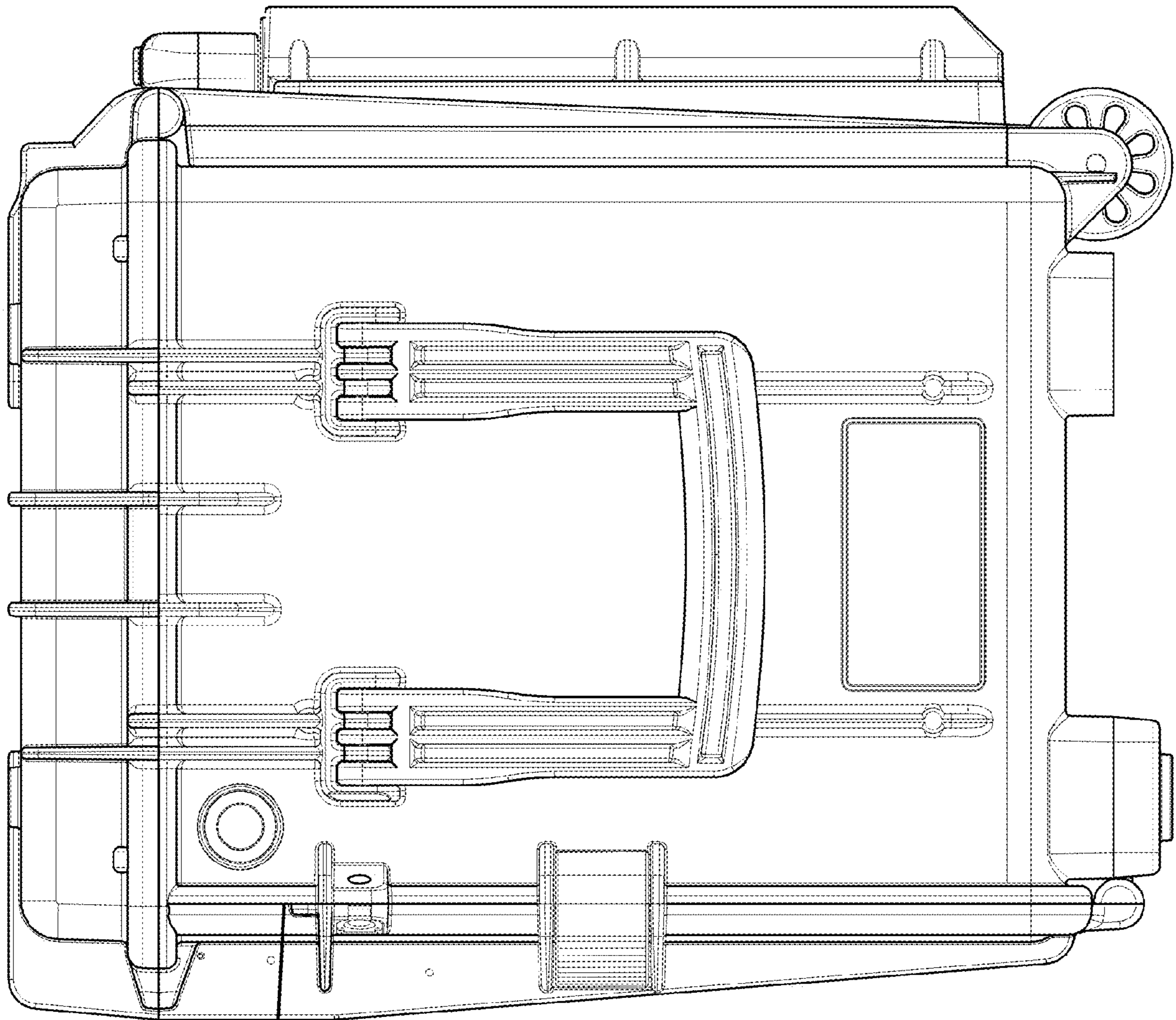


Fig. 28

Fig. 29



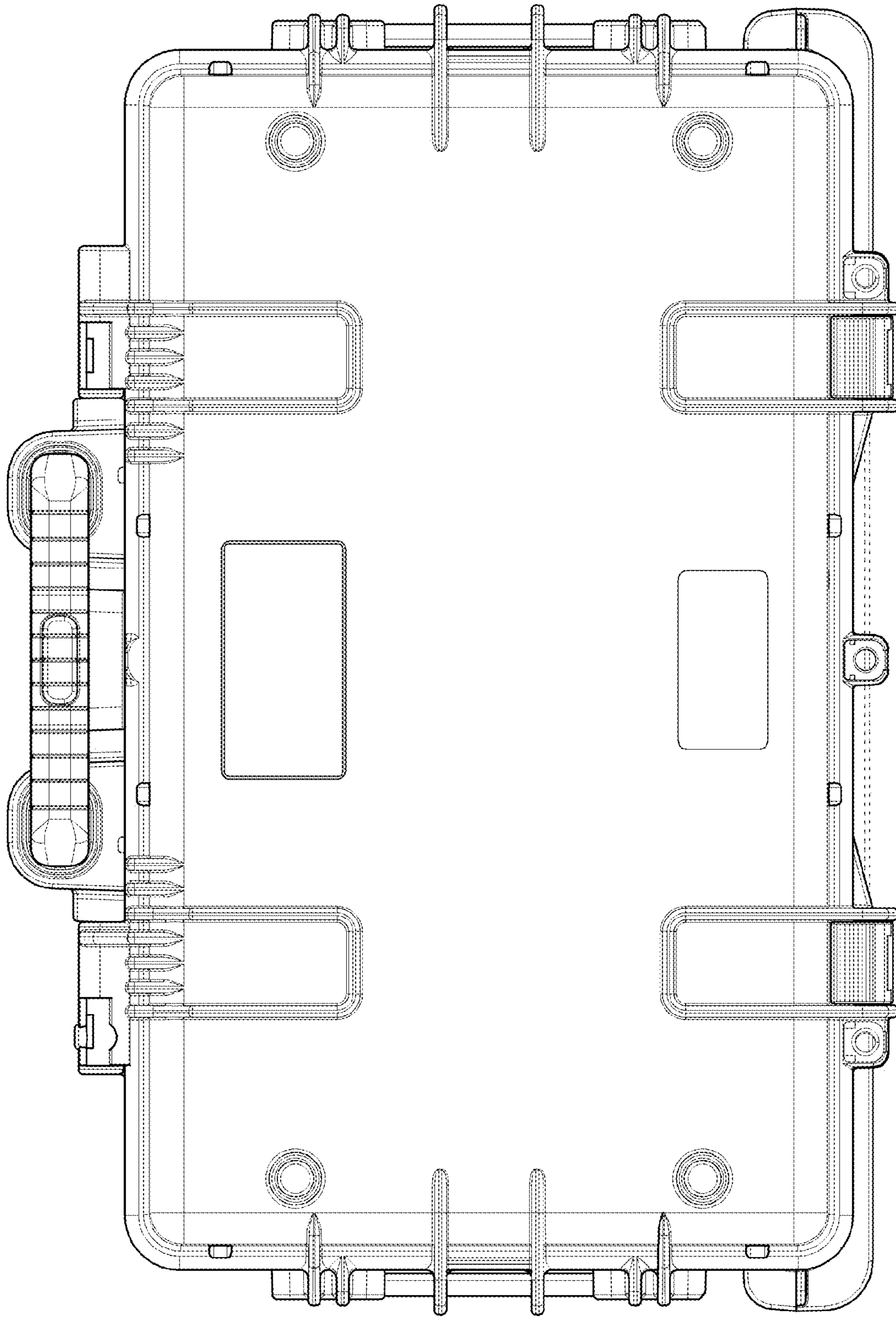


Fig. 30

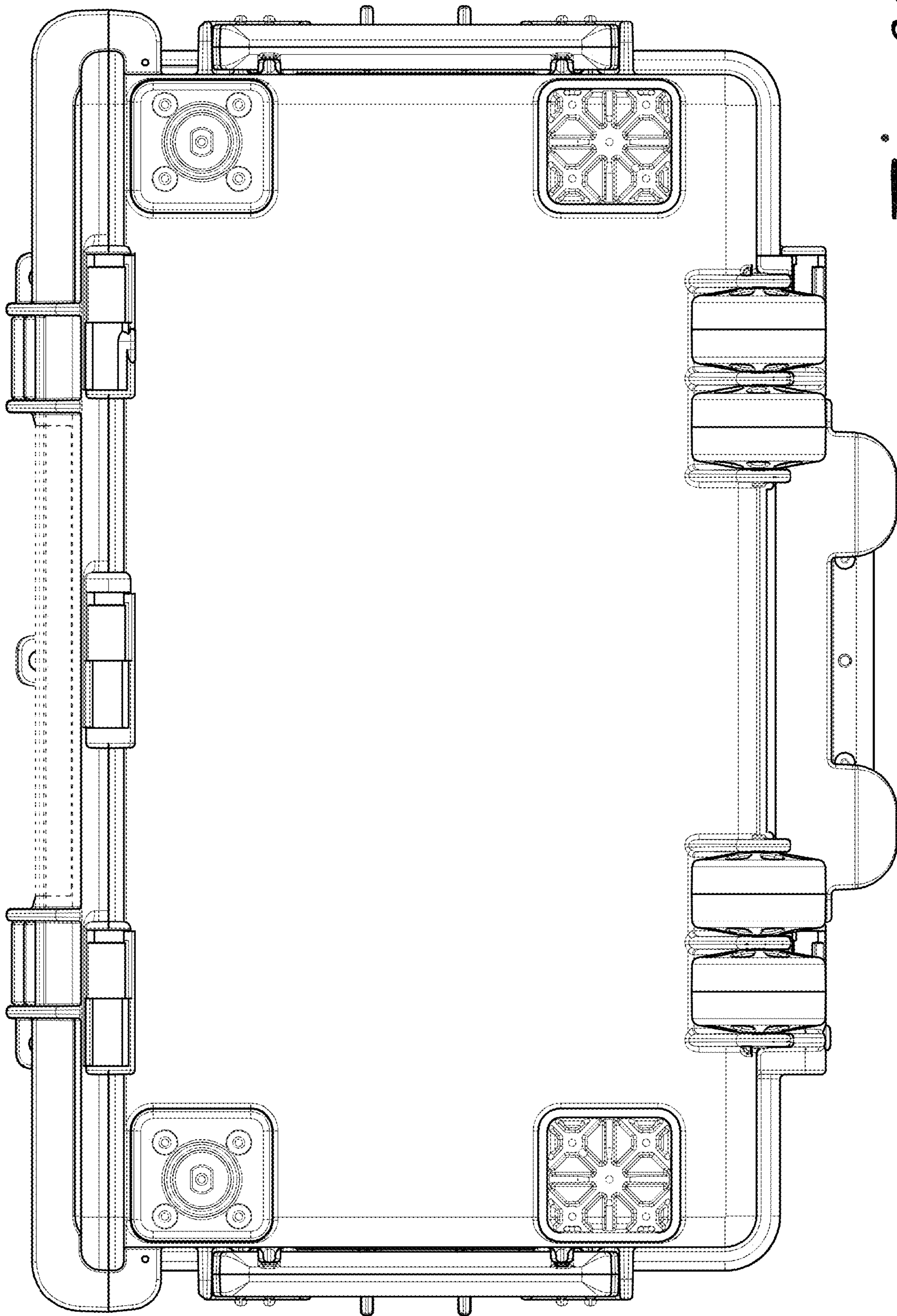


Fig. 31

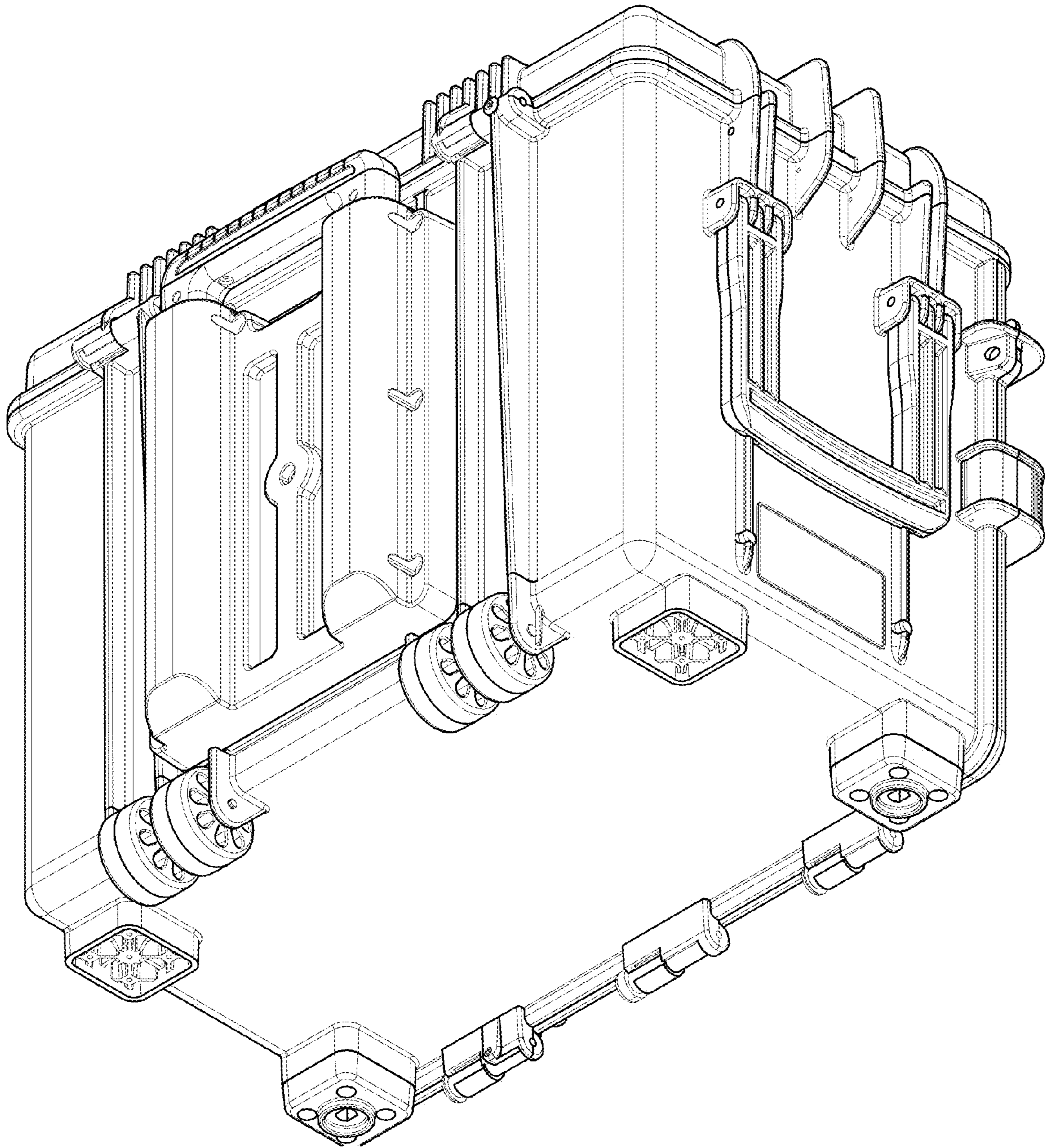


Fig. 32