



US00D981713S

(12) **United States Design Patent**
Yi et al.

(10) **Patent No.:** **US D981,713 S**
(45) **Date of Patent:** **** Mar. 28, 2023**

(54) **SPECTACLE CASE**

(71) Applicant: **Anker Innovations Technology Co. Ltd.**, Changsha (CN)

(72) Inventors: **Xiaoyu Yi**, Shenzhen (CN); **Zheng Wei**, Shenzhen (CN)

(73) Assignee: **Anker Innovations Technology Co. Ltd.**, Changsha (CN)

(**) Term: **15 Years**

(21) Appl. No.: **29/785,639**

(22) Filed: **May 26, 2021**

(51) **LOC (14) Cl.** **03-01**

(52) **U.S. Cl.**
USPC **D3/265**

(58) **Field of Classification Search**
USPC D3/201, 207, 211–219, 225–230, 242, D3/243, 251, 252, 263, 265–269, 328; D9/703, 705, 707, 711
CPC A45F 2200/05; A45F 2200/0508; A45F 2200/0516; A45F 2200/0541; A45F 2200/0566; A45C 11/04; A45C 11/005
See application file for complete search history.

(56) **References Cited**

U.S. PATENT DOCUMENTS

991,323	A *	5/1911	Kirby	A45C 11/04	206/6
D332,872	S *	2/1993	Seber	224/232	
D441,953	S *	5/2001	Ben Moshe	D3/265	
D446,389	S *	8/2001	Zhou	D3/265	
D453,993	S *	3/2002	Diltoer	D3/265	
D485,680	S *	1/2004	Hasenfrantz	D3/265	
D571,556	S *	6/2008	Raile	D3/265	
D776,338	S *	1/2017	Lomeli	D27/163	
2004/0118706	A1 *	6/2004	Hasenfrantz	A45C 11/04	206/6

(Continued)

FOREIGN PATENT DOCUMENTS

CN 302106599 * 4/2012

OTHER PUBLICATIONS

Hard shell eyeglass case, posted at amazon.com, first available May 18, 2020, retrieved on Nov. 10, 2022, online, https://www.amazon.com/dp/B08SQBGY21/ref=syn_sd_onsite_desktop_232?ie=UTF8&pssc=1&pd_rd_plhdr=t (Year: 2020).*

(Continued)

Primary Examiner — Mary Shannon Malley

Assistant Examiner — Dustin Andrew Griffith

(74) *Attorney, Agent, or Firm* — Banner & Witcoff, Ltd.

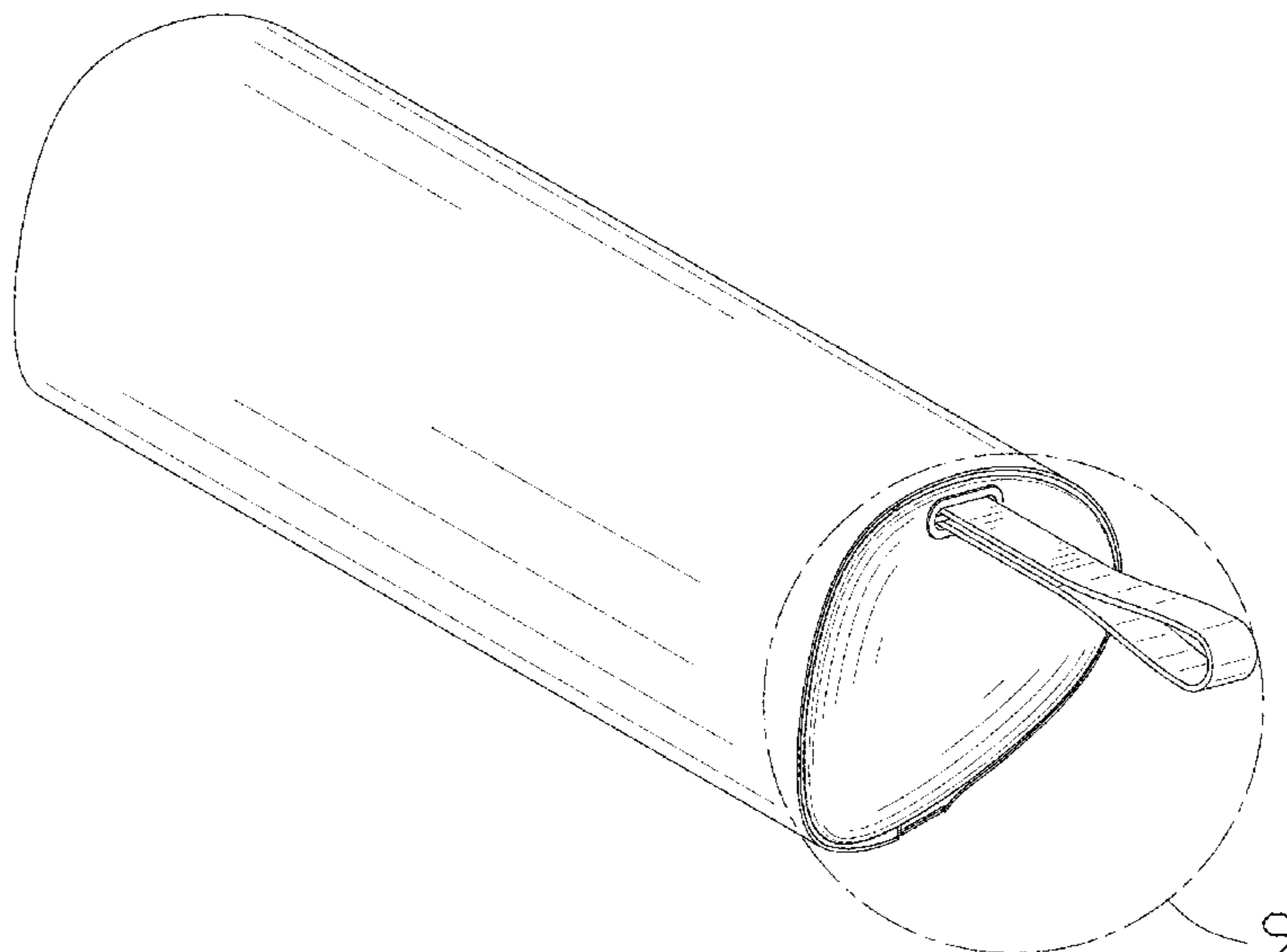
(57) **CLAIM**

The ornamental design for a spectacle case, as shown and described.

DESCRIPTION

FIG. 1 is a front top perspective view of a spectacle case showing our new design;
FIG. 2 is a rear bottom perspective view thereof;
FIG. 3 is a front view thereof;
FIG. 4 is a rear view thereof;
FIG. 5 is a left side view thereof;
FIG. 6 is a right side view thereof;
FIG. 7 is a top view thereof;
FIG. 8 is a bottom view thereof;
FIG. 9 is an enlarged view of the encircled portion 9 indicated in FIG. 1 and,
FIG. 10 is an enlarged view of the encircled portion 10 indicated in FIG. 2.
The long dash-short dash lines on FIGS. 1, 2, 9 and 10 represent the bounds of the enlargements taken from FIGS. 1 and 2, and form no part of the claimed design. The dash-dash broken lines depict portions of the spectacle case that form no part of the claimed design.

1 Claim, 10 Drawing Sheets



(56)

References Cited

U.S. PATENT DOCUMENTS

2020/0178709 A1* 6/2020 Brown G09F 23/06

OTHER PUBLICATIONS

MoKo foldable eyeglass case, posted at amazon.com, first available Nov. 1, 2018, retrieved on Nov. 10, 2022, online, https://www.amazon.com/MoKo-Lightweight-Sunglasses-Triangular-Protector/dp/B07JGT41K9/ref=sr_1_145?crid=2EJP0C0XCRTG3&keywords=har%E2%80%A6 (Year: 2018).*

Personalized sunglasses case, posted at etsy.com, first available 2022, retrieved on Nov. 10, 2022, online, https://www.etsy.com/listing/590850503/personalized-sunglasses-case-customized?ga_order=most_relevant&ga_search_type=all&ga_view_type=ga%E2%80%A6 (Year: 2022).*

* cited by examiner

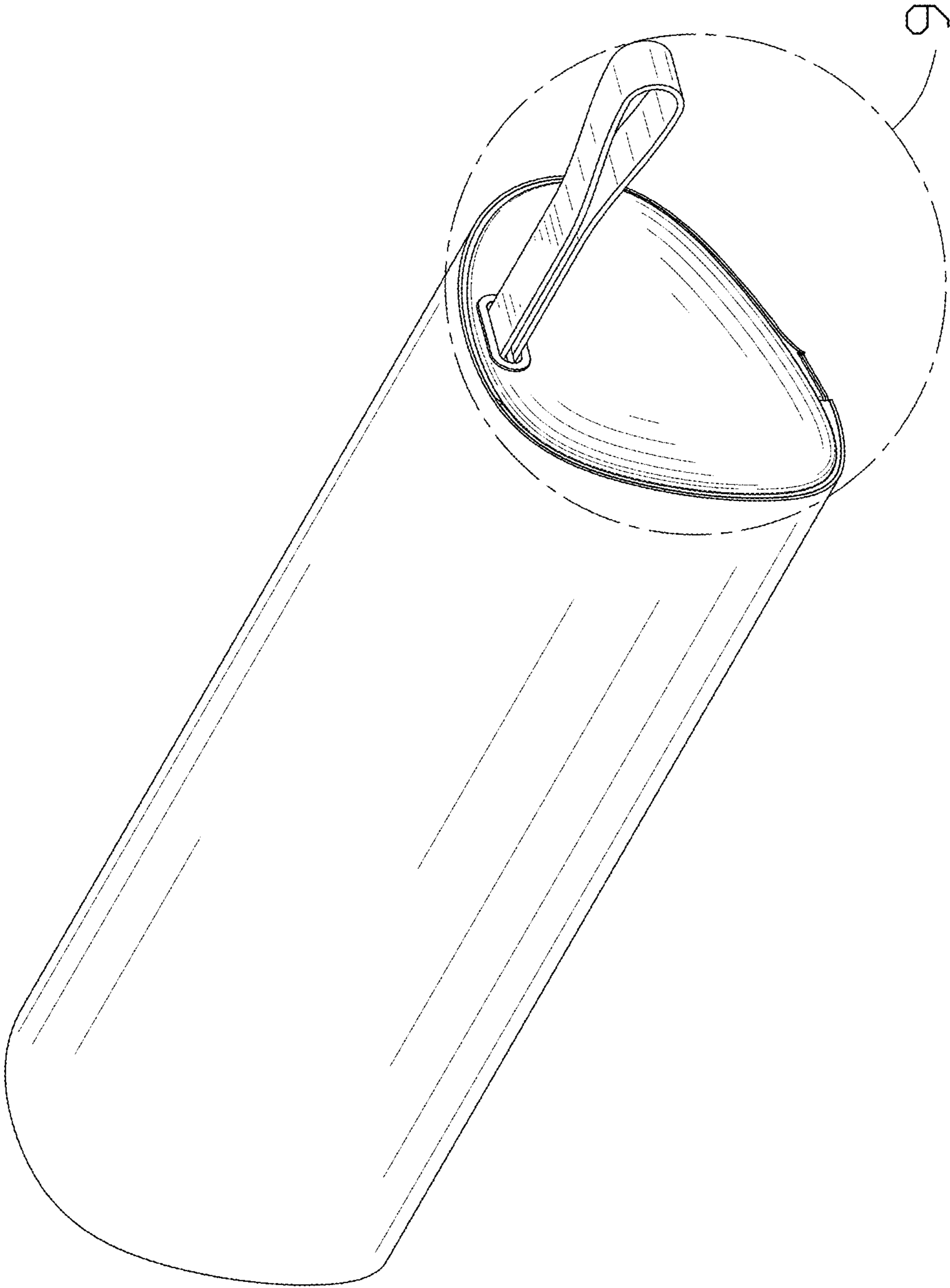


FIG. 1

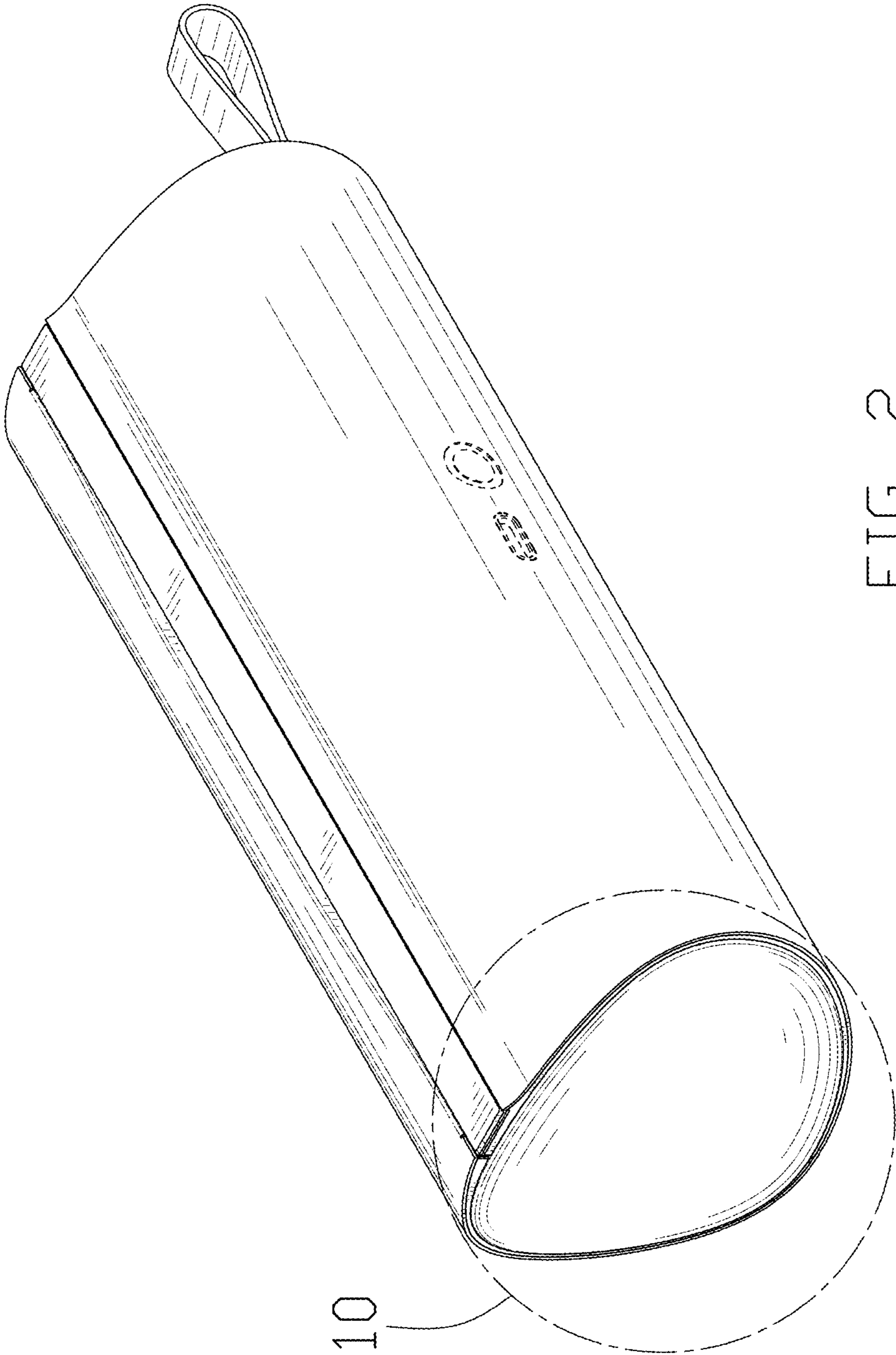


FIG. 2

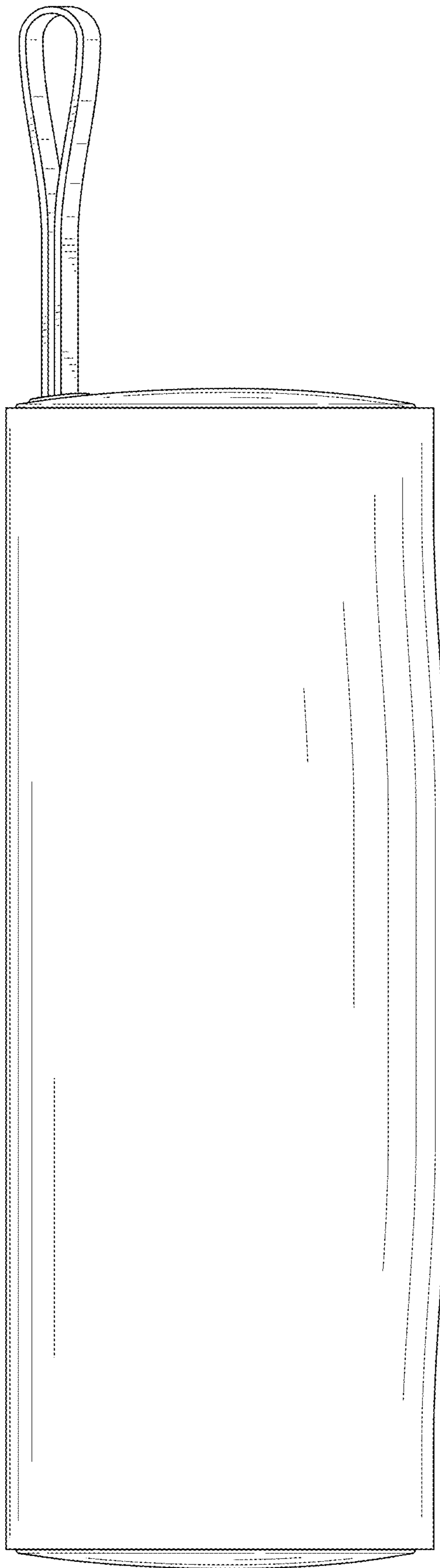


FIG. 3

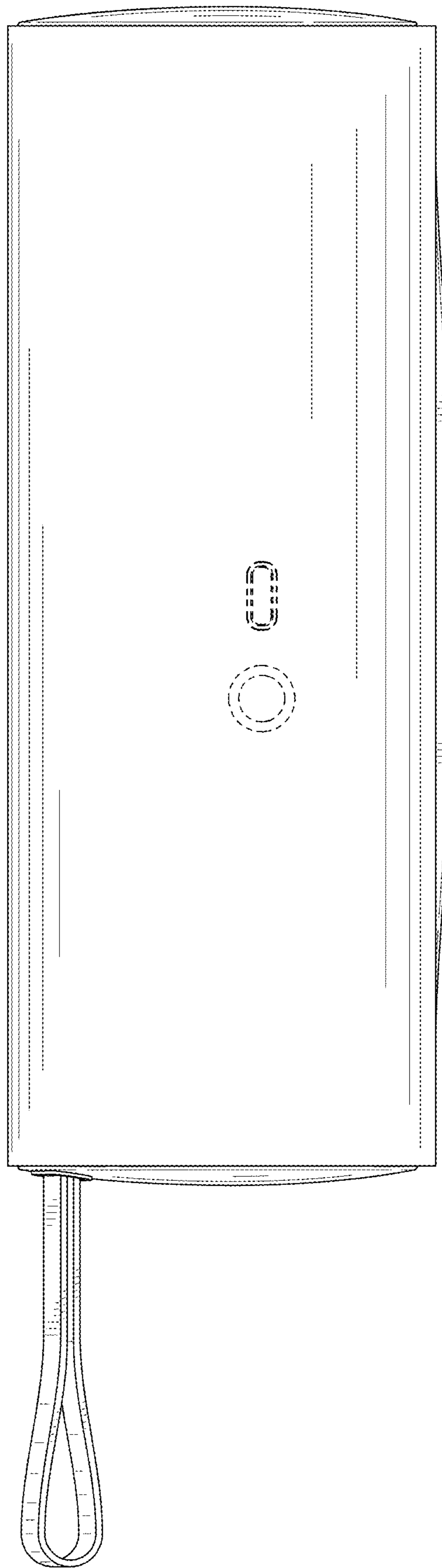


FIG. 4

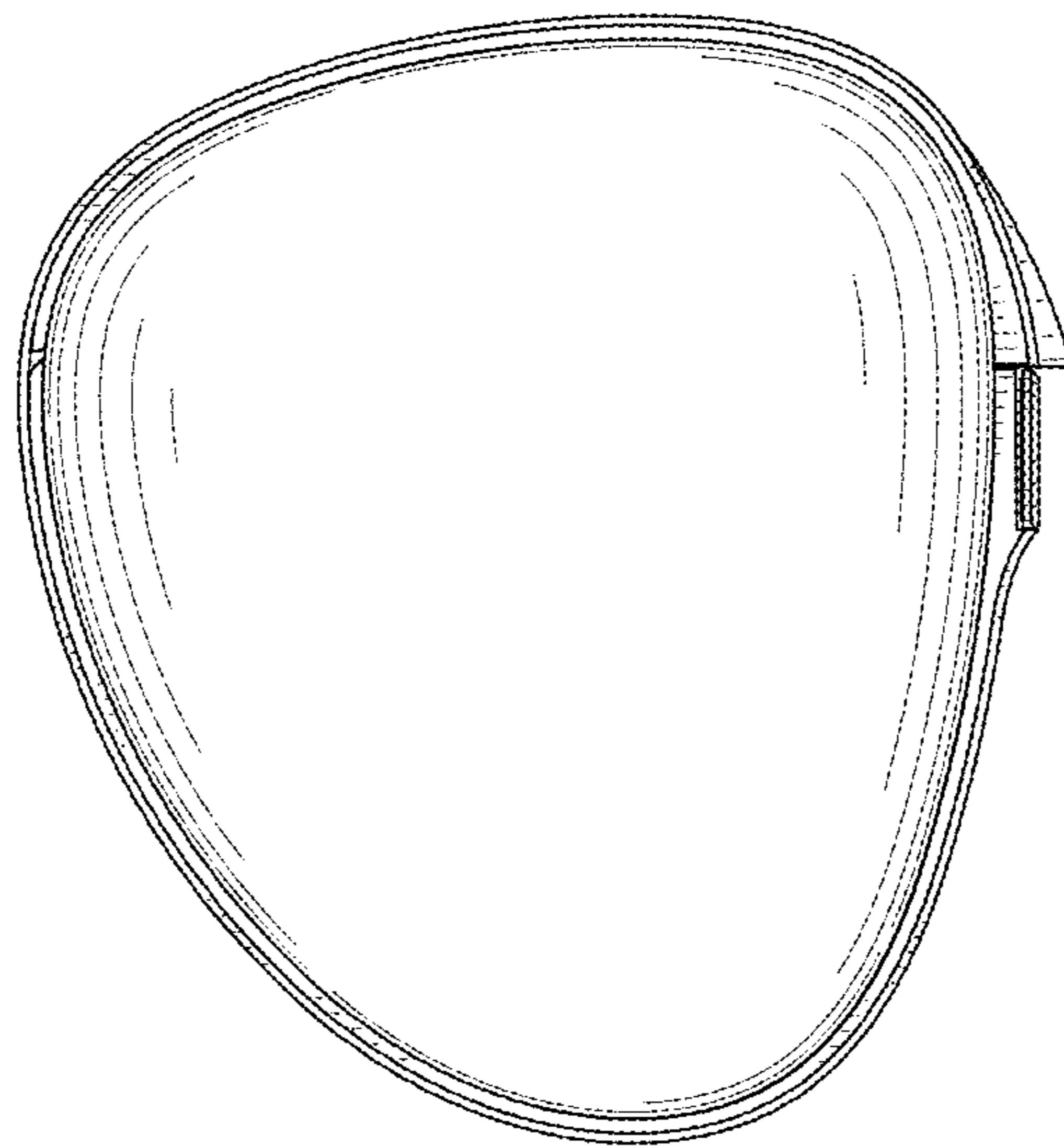


FIG. 5

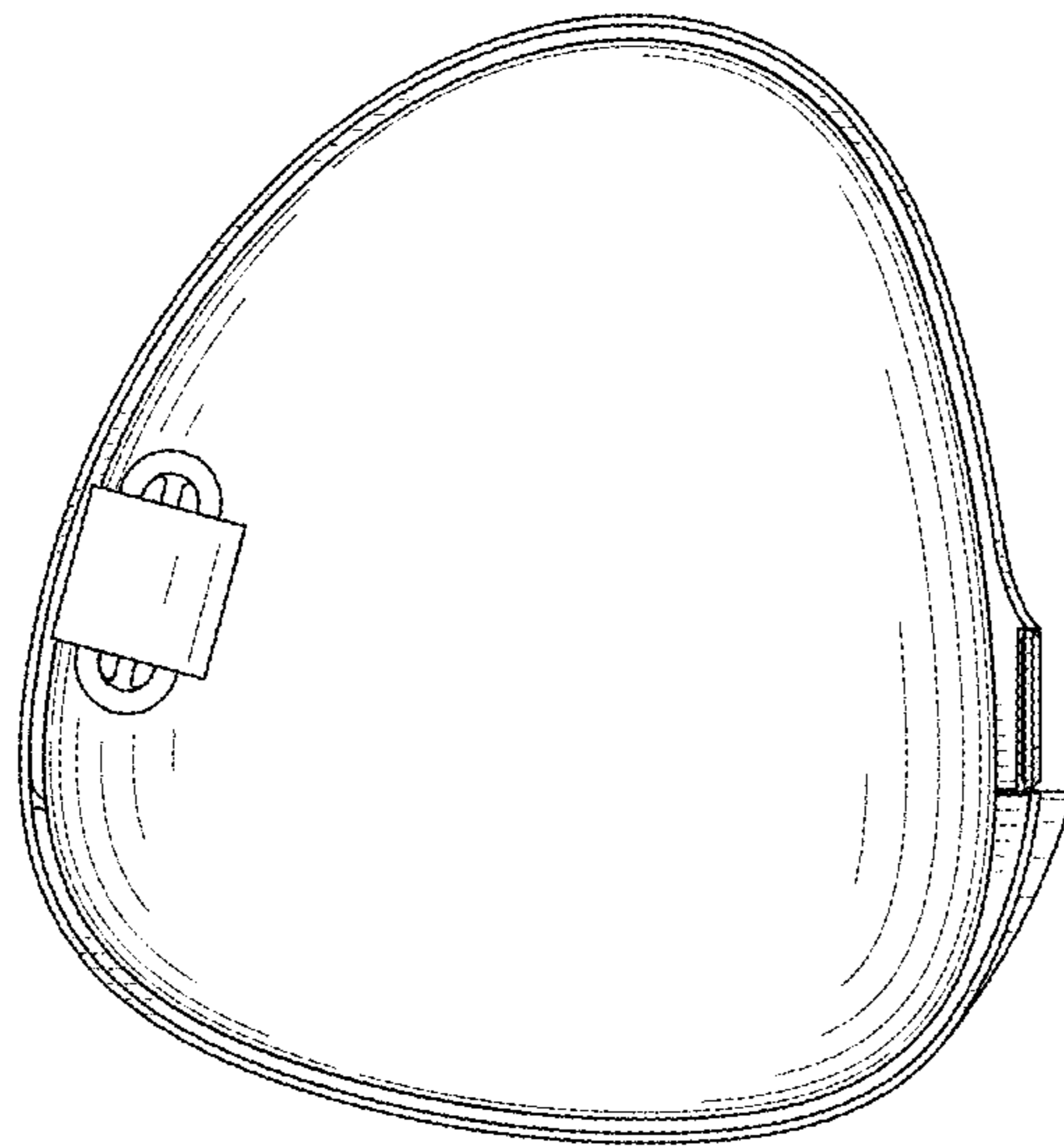


FIG. 6

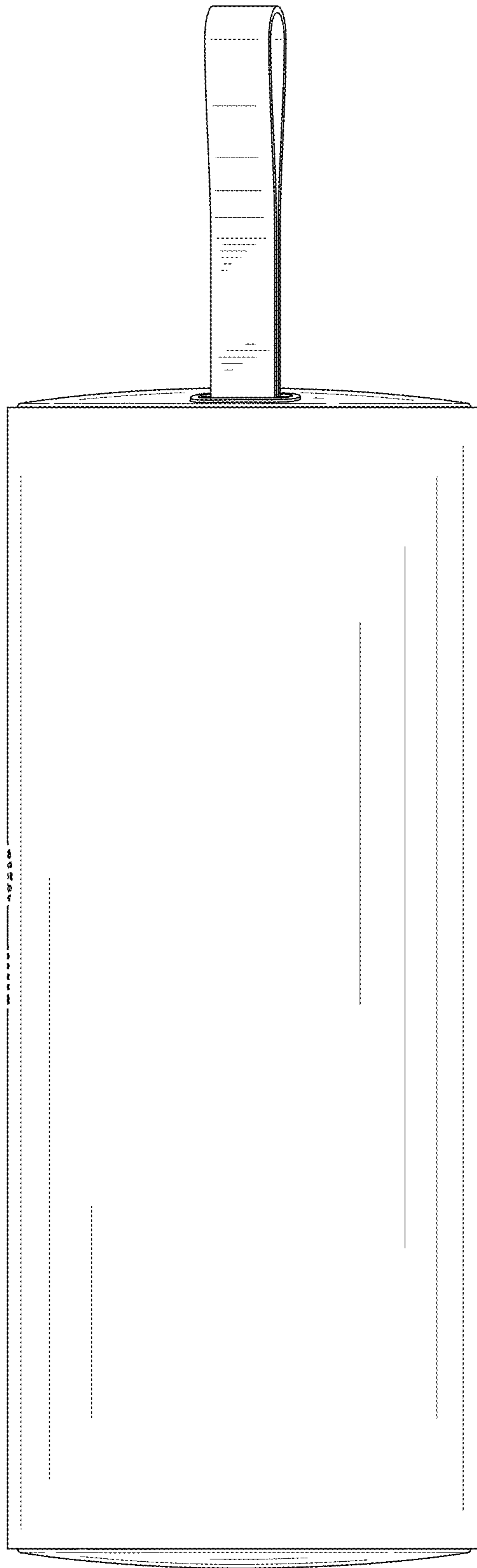


FIG. 7

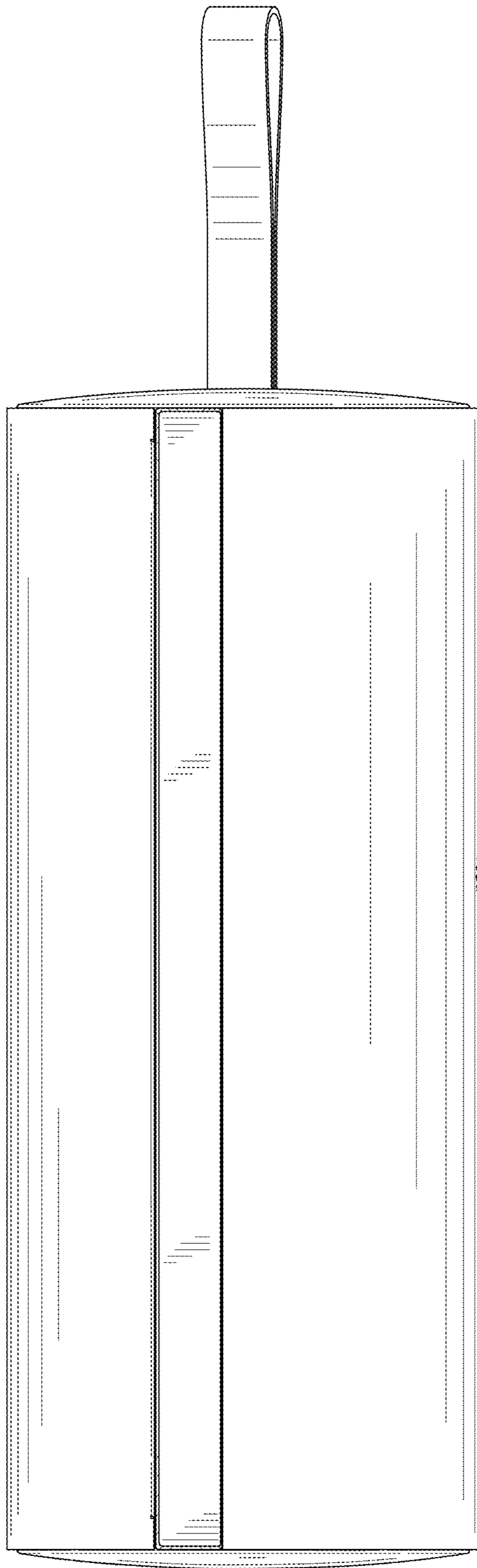


FIG. 8

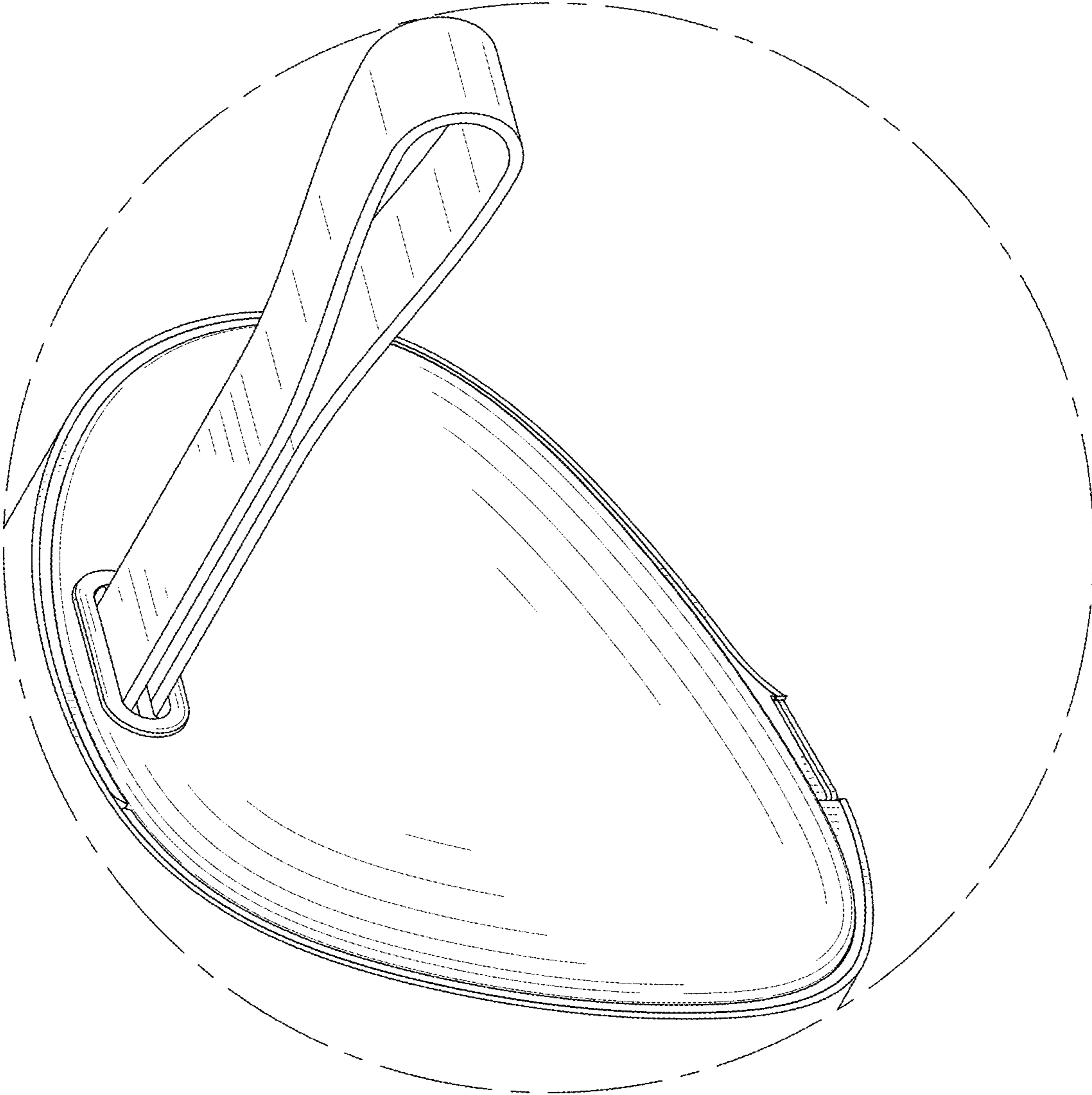


FIG. 9

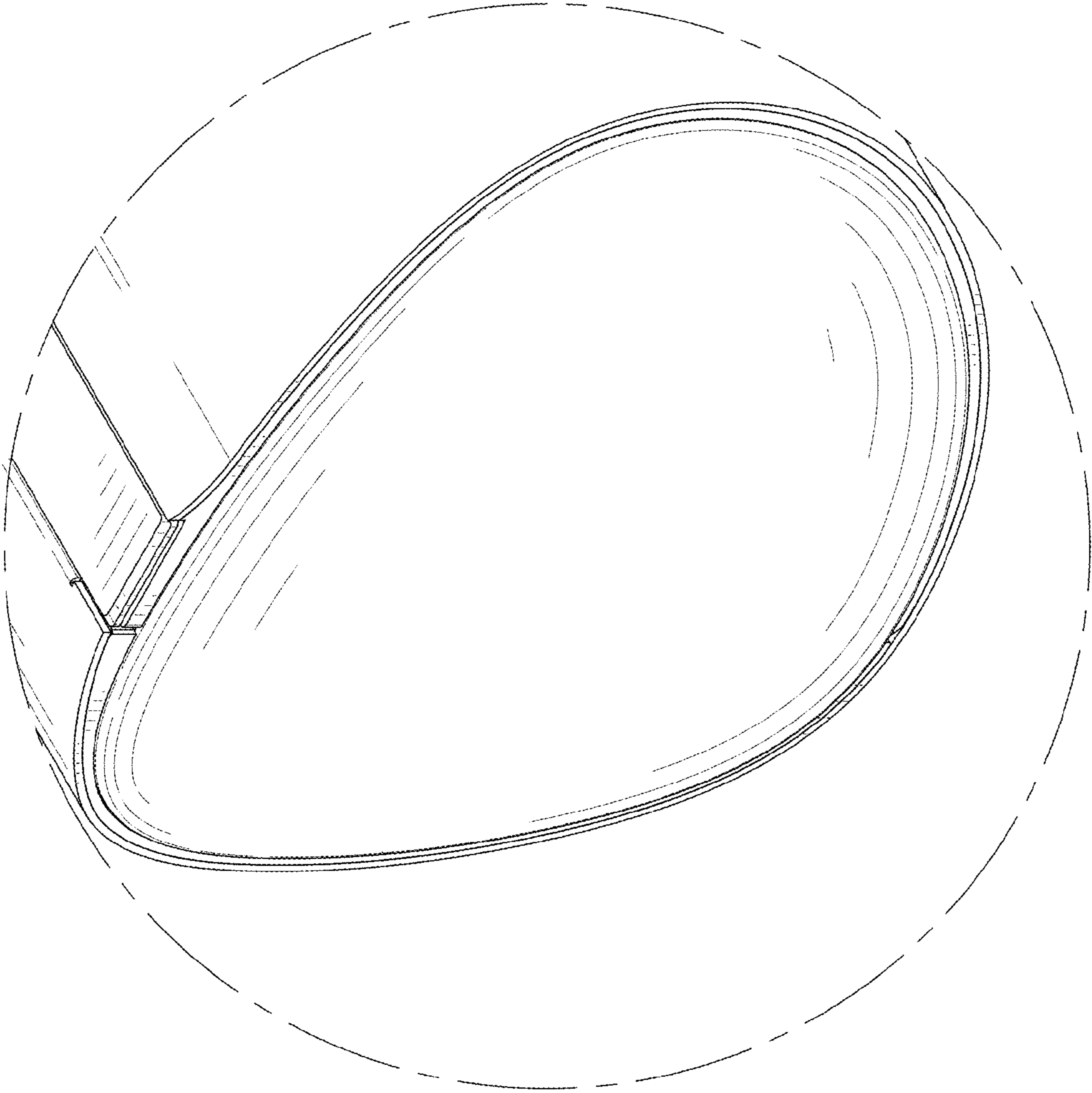


FIG. 10