



US00D981711S

(12) **United States Design Patent**
Knightly

(10) **Patent No.:** **US D981,711 S**

(45) **Date of Patent:** **** Mar. 28, 2023**

(54) **HANDBAG**

(71) Applicant: **MOYNAT PARIS SAS**, Paris (FR)

(72) Inventor: **Nicholas Knightly**, Paris (FR)

(**) Term: **15 Years**

(21) Appl. No.: **35/514,346**

(22) Filed: **May 6, 2022**

(80) **Hague Agreement Data**

Int. Filing Date: **May 6, 2022**

Int. Reg. No.: **DM/220675**

Int. Reg. Date: **May 6, 2022**

Int. Reg. Pub. Date: **May 20, 2022**

(51) **LOC (14) Cl.** **03-01**

(52) **U.S. Cl.**
USPC **D3/243**

(58) **Field of Classification Search**
USPC D3/232–234, 239–246, 247–251
CPC A45C 3/06; A45C 7/0086; A45C 3/00;
A45C 1/04; A45C 2003/005
See application file for complete search history.

(56) **References Cited**

U.S. PATENT DOCUMENTS

D393,366 S *	4/1998	Kopel	D3/243
6,010,050 A *	1/2000	Tarr	A45C 3/02 224/609
D471,707 S *	3/2003	Galliano	D3/243
D472,374 S *	4/2003	Galliano	D3/243
D508,769 S *	8/2005	Fendi	D3/243
D570,106 S *	6/2008	Della Valle	D3/243
D728,929 S *	5/2015	Dumas	D3/243
D760,495 S *	7/2016	Baram	D3/233
D772,564 S *	11/2016	Michele	D3/243
D792,093 S *	7/2017	Venturini Fendi	D3/243
D816,989 S *	5/2018	Fusi	D3/243
D855,975 S *	8/2019	Fusi	D3/232
D867,754 S *	11/2019	Gonzalez	D3/232

D876,830 S *	3/2020	Spaziani	D3/243
D929,730 S *	9/2021	Camerlengo	D3/243
D935,767 S *	11/2021	Louboutin	D3/243
D941,017 S *	1/2022	Camerlengo	D3/243
D954,431 S *	6/2022	Knightly	A45C 3/06 D3/243

FOREIGN PATENT DOCUMENTS

WO D220675-001 * 5/2022

OTHER PUBLICATIONS

“Moynat Introduces The New East-West Fiori Tour”, first available Sep. 6, 2022, bagaholicboy.com, site visited Jan. 25, 2023: <https://bagaholicboy.com/2022/09/movnat-fw22-east-west-flori-tour/> (Year: 2022).*

* cited by examiner

Primary Examiner — Jennifer L Watkins

Assistant Examiner — Samantha Lynne Brodowski

(57) **CLAIM**

The ornamental design for a handbag, as shown and described.

DESCRIPTION

1. Handbag

1.1 is a perspective view of a handbag;

1.2 is a front view thereof;

1.3 is a back view thereof;

1.4 is a left side view thereof;

1.5 is a right side view thereof;

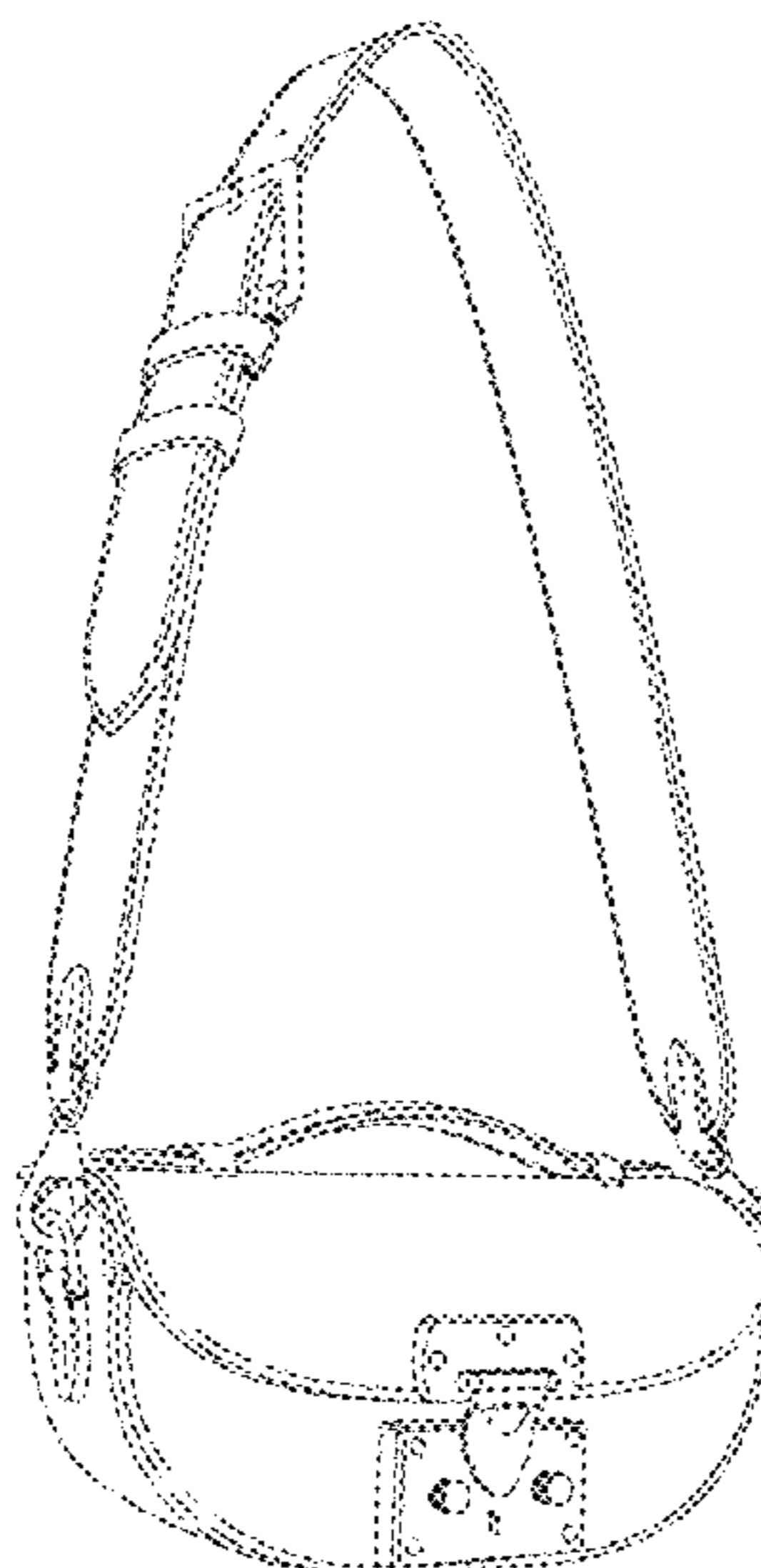
1.6 is a top view thereof;

1.7 is a bottom view thereof; and

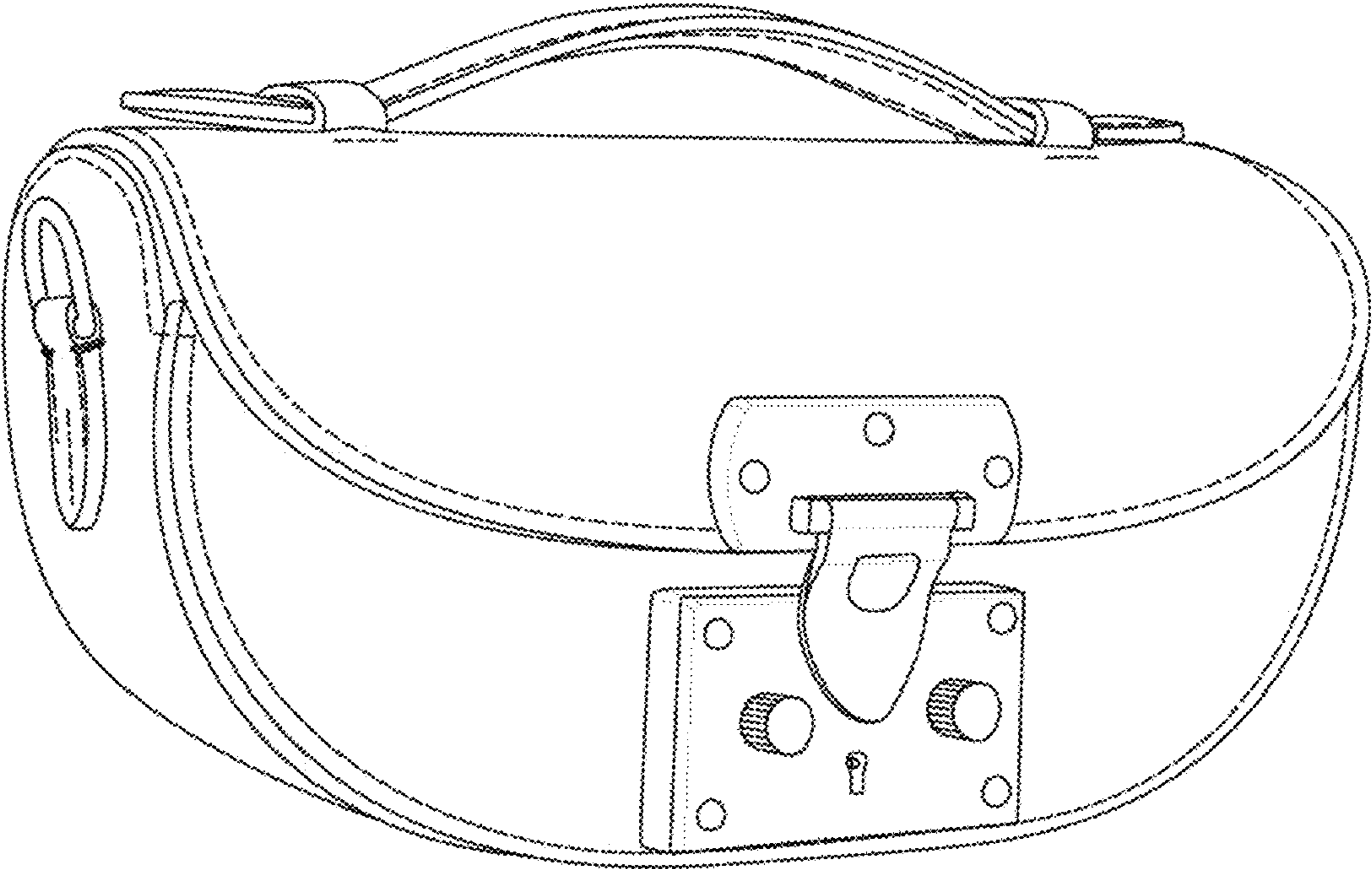
1.8 is a perspective view with the strap thereof.

The broken lines in the figures are for the purpose of illustrating claimed stitching. The back side of the shoulder strap that is not shown in the figures forms no part of the claim.

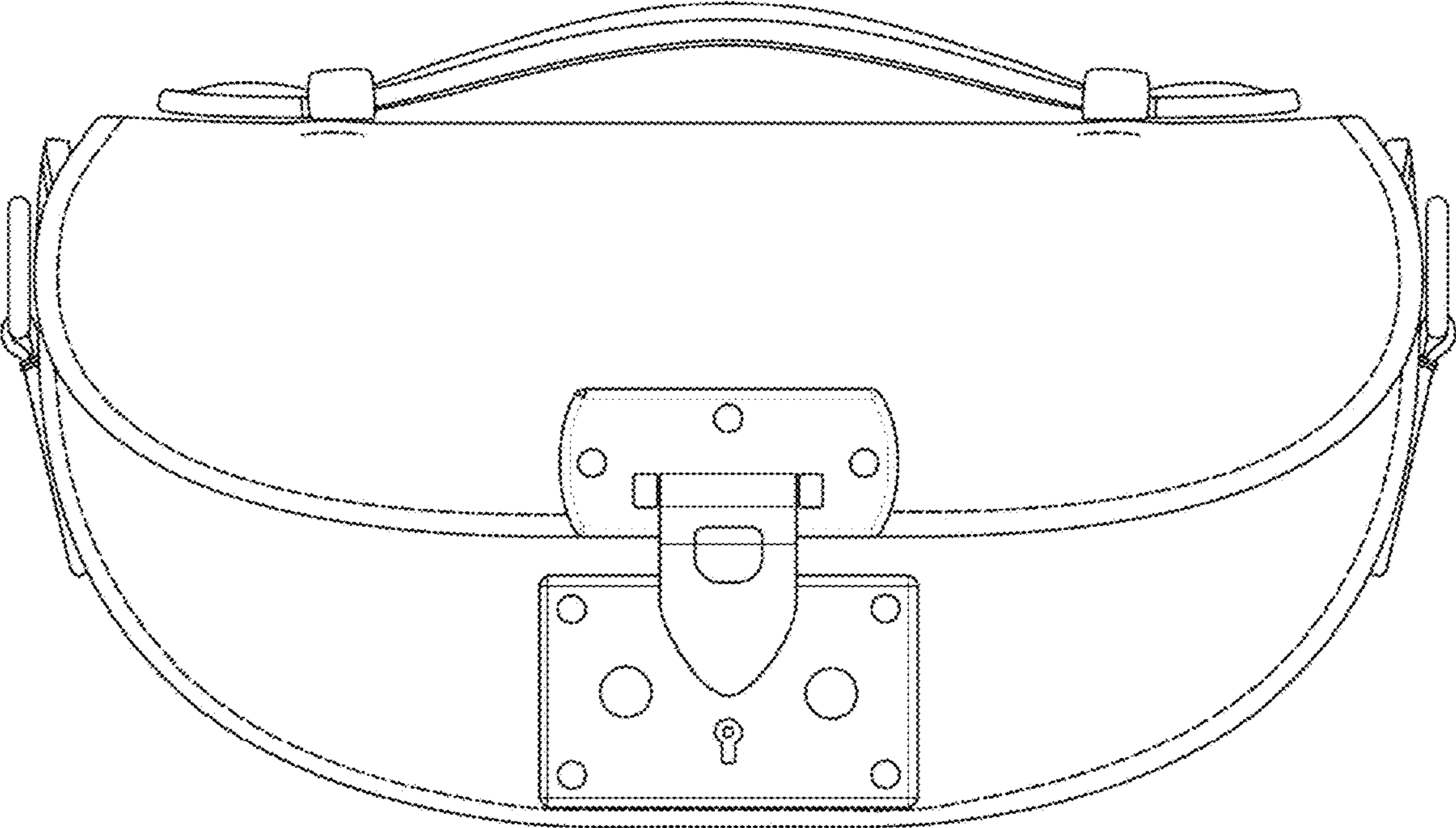
1 Claim, 8 Drawing Sheets



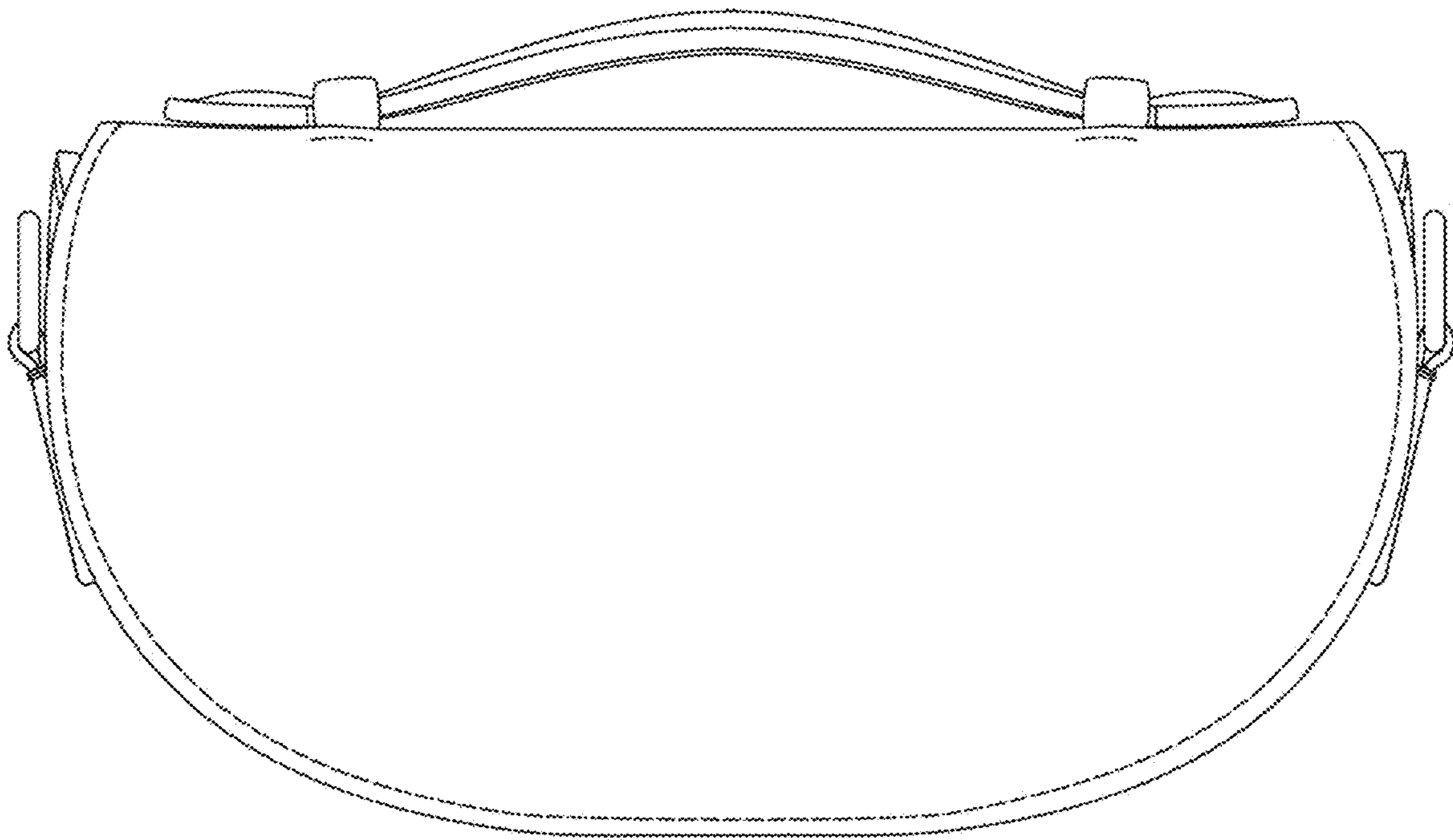
1.1



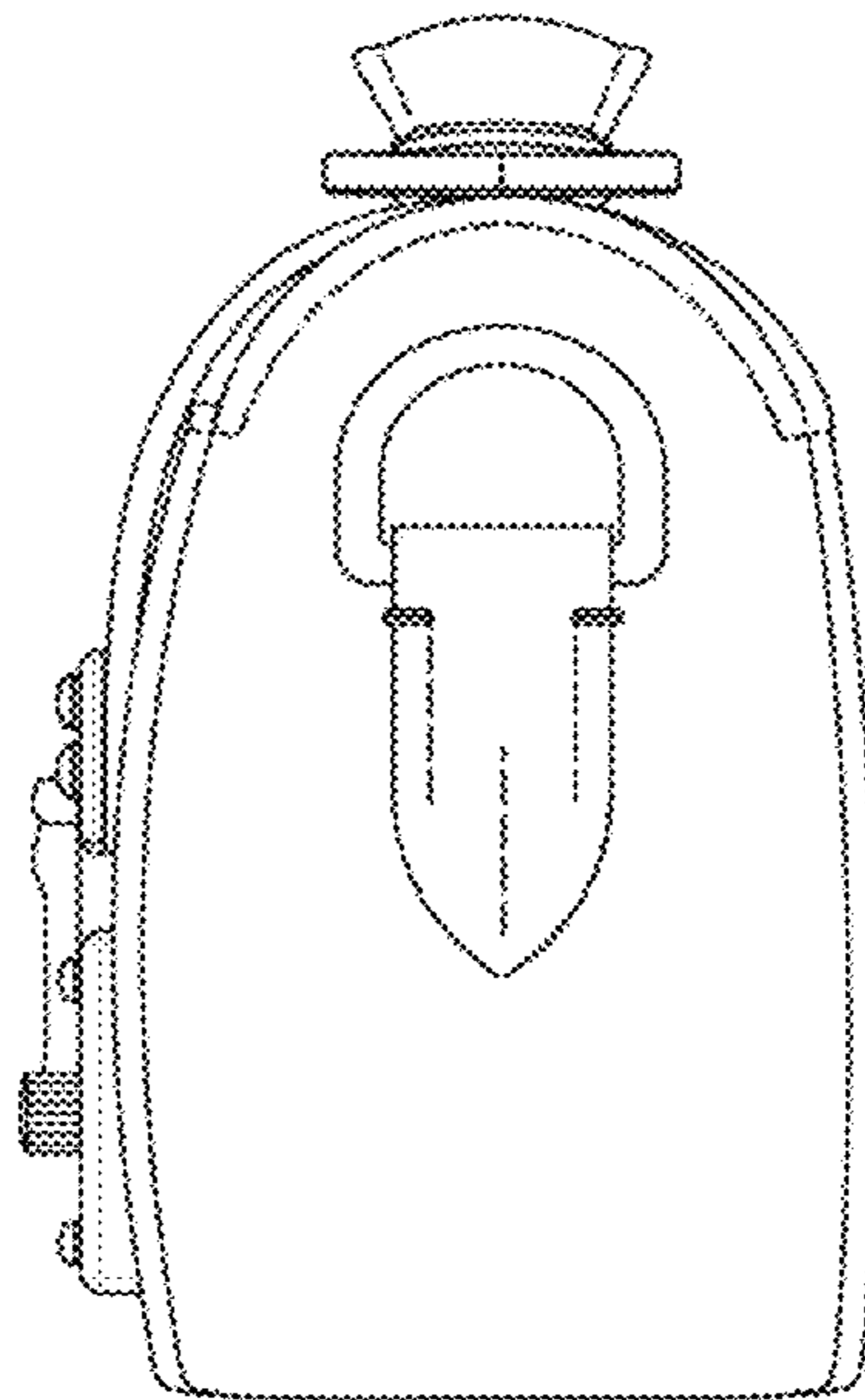
1.2



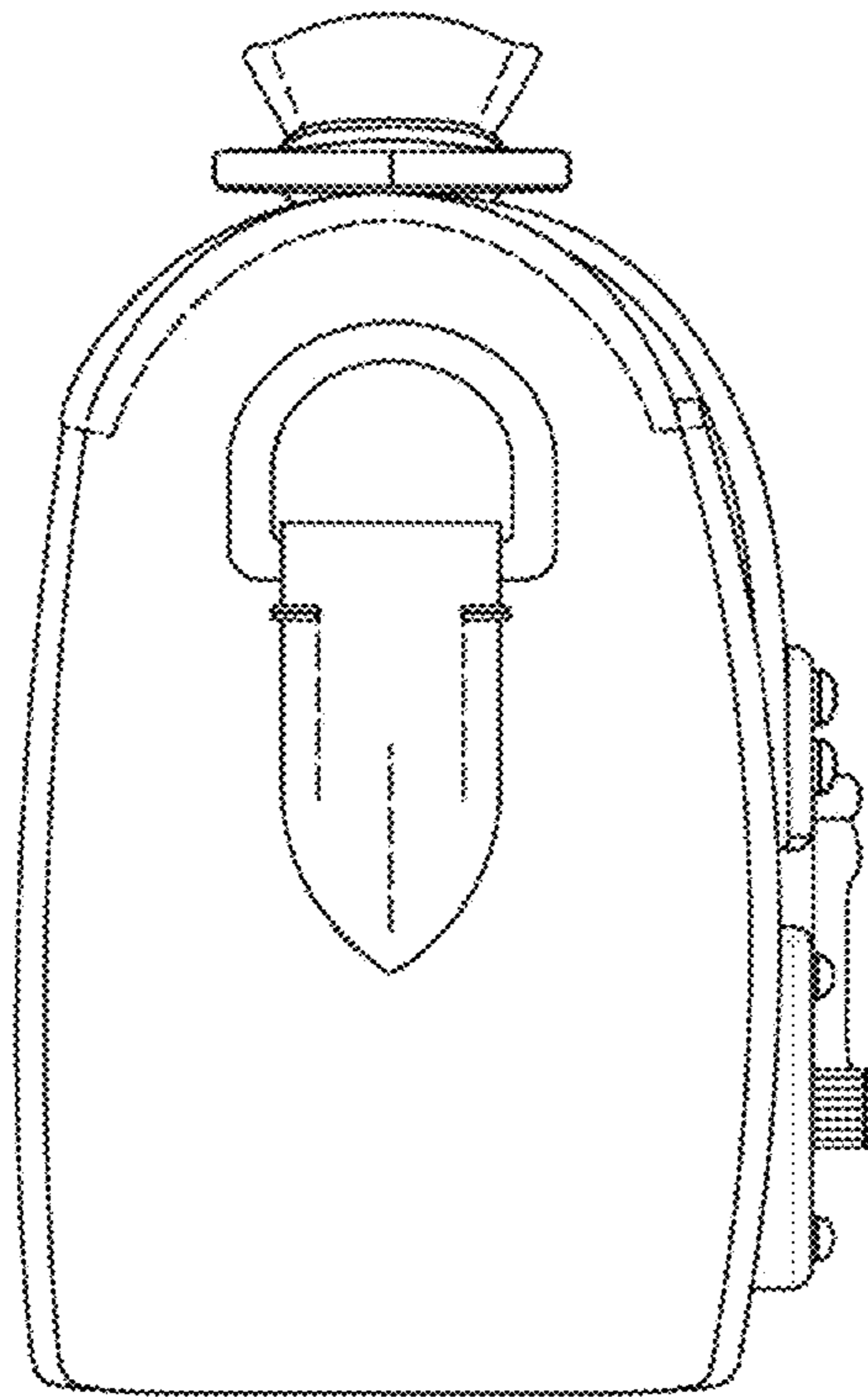
1.3



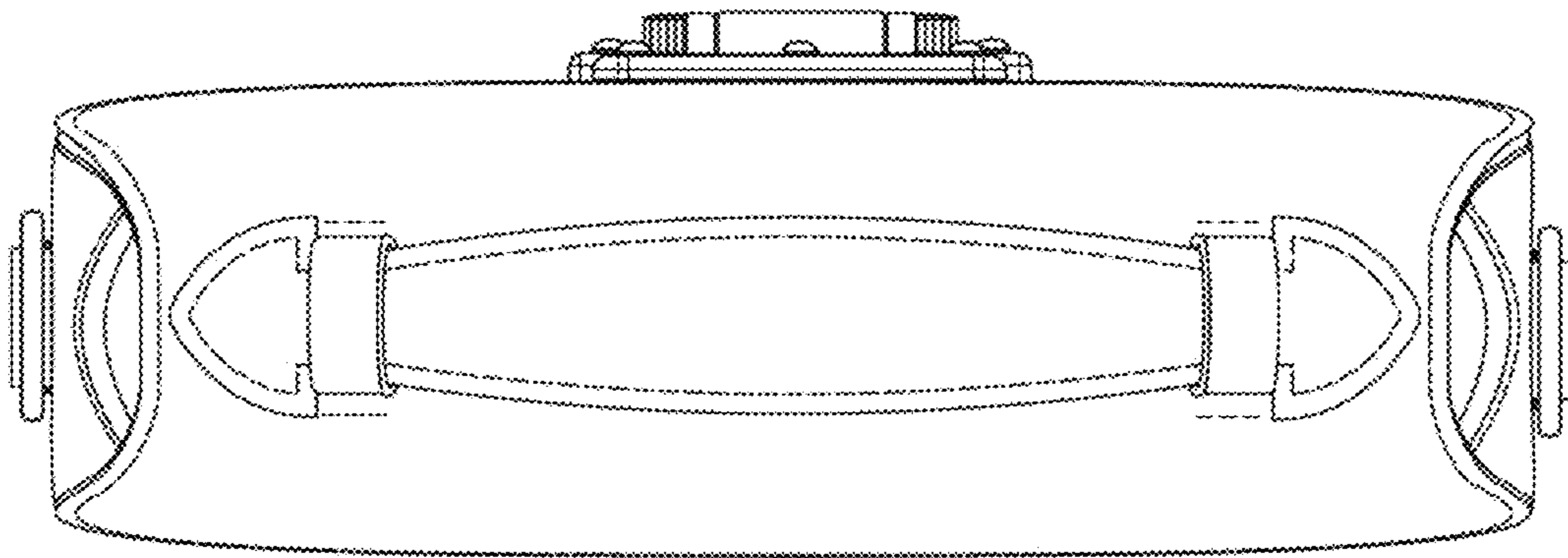
1.4



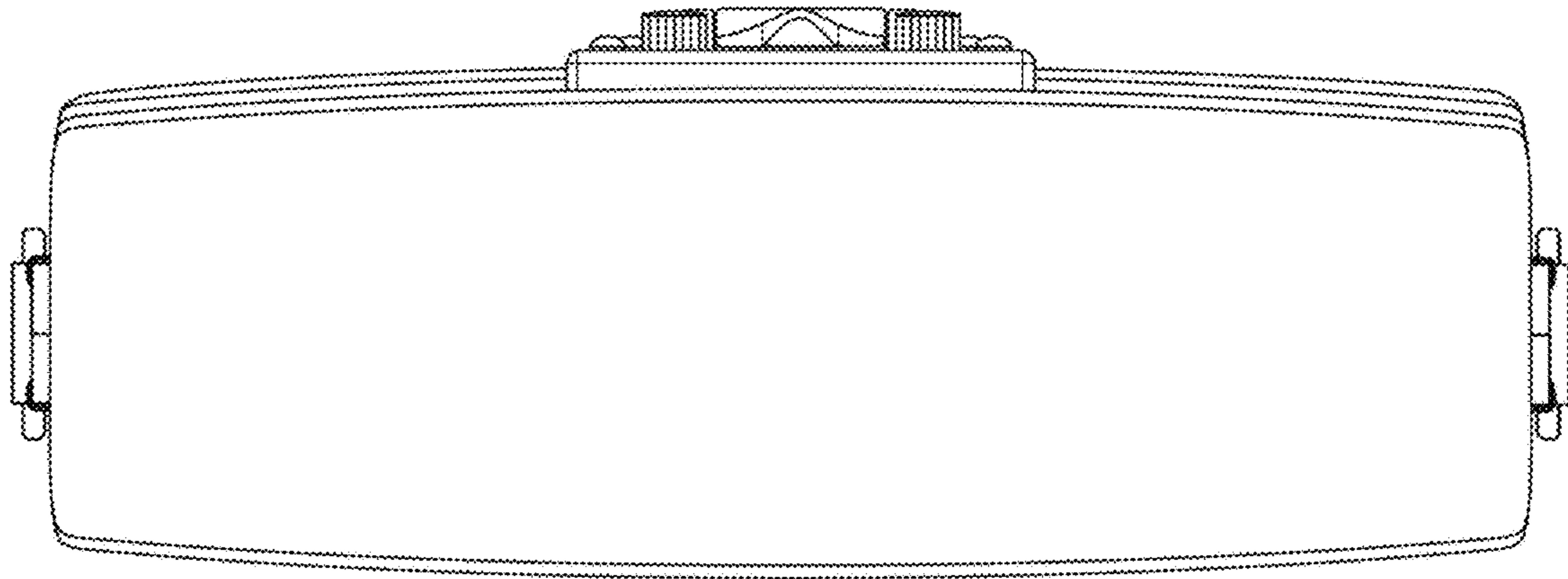
1.5



1.6



1.7



1.8

