



US00D981709S

(12) **United States Design Patent** (10) **Patent No.:** **US D981,709 S**  
**Abel** (45) **Date of Patent:** **\*\* Mar. 28, 2023**

(54) **HANDBAG**

D866,182 S \* 11/2019 Chen ..... D3/290  
D897,095 S \* 9/2020 Li ..... D3/290  
D922,064 S \* 6/2021 Coolens ..... D3/242

(71) Applicant: **LOUIS VUITTON MALLETIER**,  
Paris (FR)

**FOREIGN PATENT DOCUMENTS**

(72) Inventor: **Antoine Abel**, Paris (FR)

EM 008312573-0006 \* 12/2020  
HK 2017239.9 \* 12/2020

(73) Assignee: **Louis Vuitton Malletier**, Paris (FR)

**OTHER PUBLICATIONS**

(\*\*) Term: **15 Years**

“Virgil Abloh Experiments With Logos for Louis Vuitton Men’s Pre-Fall 2021 Collection”, first available Dec. 23, 2020, hypebae.com, site visited Apr. 5, 2022: <https://hypebae.com/2020/12/louis-vuitton-mens-pre-fall-2021-collection-virgil-abloh-lv-monogram-logo-damier-speedy-trunk-handbags-suits-jackets-coats> (Year: 2020).\*

(21) Appl. No.: **29/761,794**

(22) Filed: **Dec. 11, 2020**

(30) **Foreign Application Priority Data**

Jun. 26, 2020 (FR) ..... 2020-2938

(51) **LOC (14) Cl.** ..... **03-01**

(52) **U.S. Cl.**  
USPC ..... **D3/243; D3/290**

(58) **Field of Classification Search**  
USPC ..... D3/232–233, 243–246, 276, 289–291,  
D3/300–301, 304, 307, 318, 322–324,  
D3/900

CPC ..... Y10S 190/902; A45C 3/02; A45C 3/00;  
A45C 13/002; A45C 3/06; A45C 5/00  
See application file for complete search history.

\* cited by examiner

*Primary Examiner* — Jennifer L Watkins

*Assistant Examiner* — Samantha Lynne Brodowski

(74) *Attorney, Agent, or Firm* — Fross Zelnick Lehrman & Zissu, P.C.; Charles T. J. Weigell, Esq.

(56) **References Cited**

**U.S. PATENT DOCUMENTS**

D315,987 S \* 4/1991 Tobias ..... D3/290  
D325,469 S \* 4/1992 Kim ..... D3/231  
D344,409 S \* 2/1994 Meredith ..... D3/315  
D356,678 S \* 3/1995 Tawil ..... D3/276  
D368,370 S \* 4/1996 Tawil ..... D3/276  
D373,249 S \* 9/1996 Richardson ..... D3/321  
6,010,050 A \* 1/2000 Tarr ..... A45C 3/02  
224/609  
D646,054 S \* 10/2011 Littleton ..... D3/243  
D650,990 S \* 12/2011 Littleton ..... D3/243  
D866,171 S \* 11/2019 Chen ..... D3/243

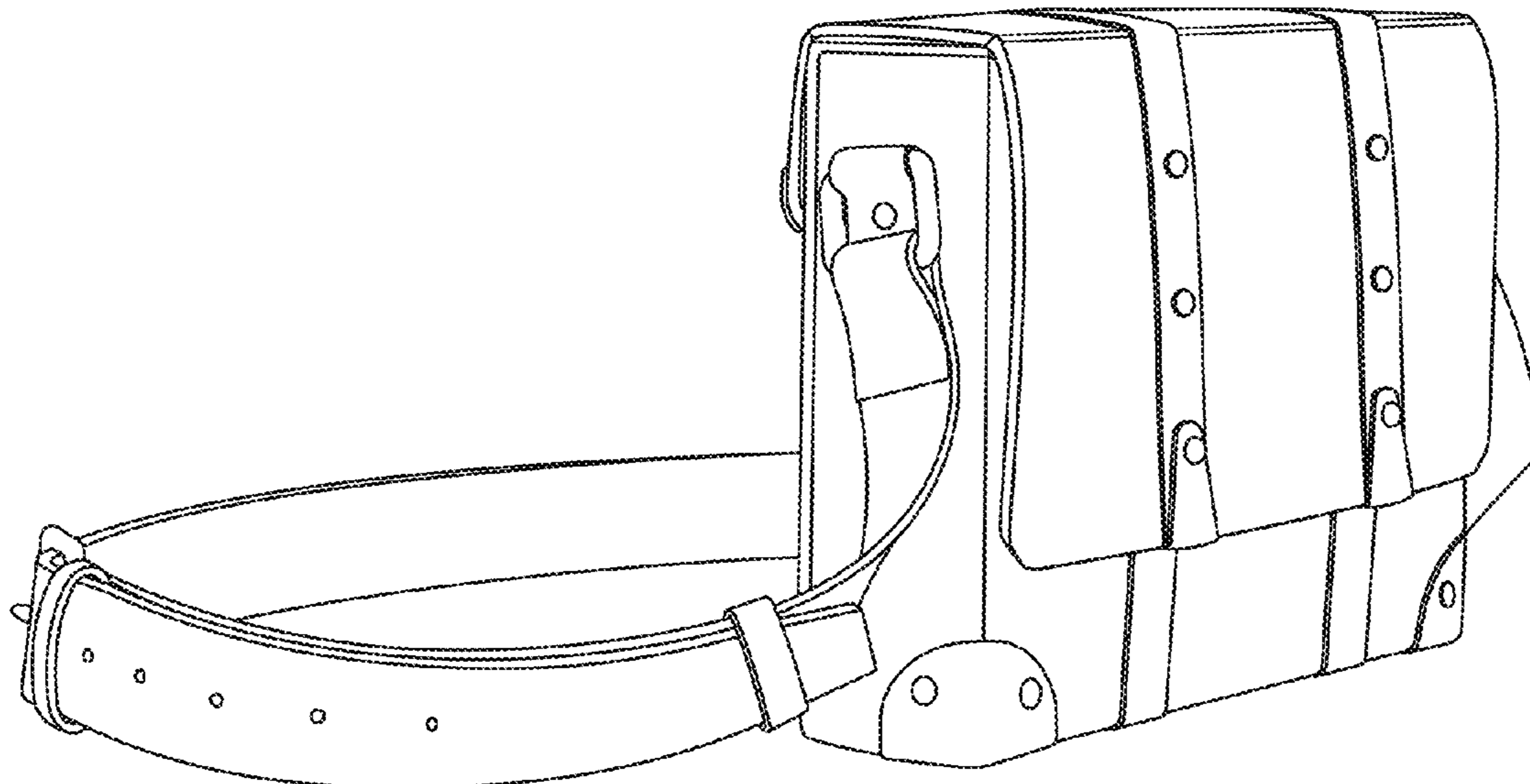
(57) **CLAIM**

The ornamental design for a handbag, as shown and described.

**DESCRIPTION**

FIG. 1 is a front perspective view of a handbag showing my new design;  
FIG. 2 is a front view thereof;  
FIG. 3 is a back view thereof;  
FIG. 4 is a right side view thereof;  
FIG. 5 is a left side view thereof;  
FIG. 6 is a top view thereof; and,  
FIG. 7 is a bottom view thereof.

**1 Claim, 7 Drawing Sheets**



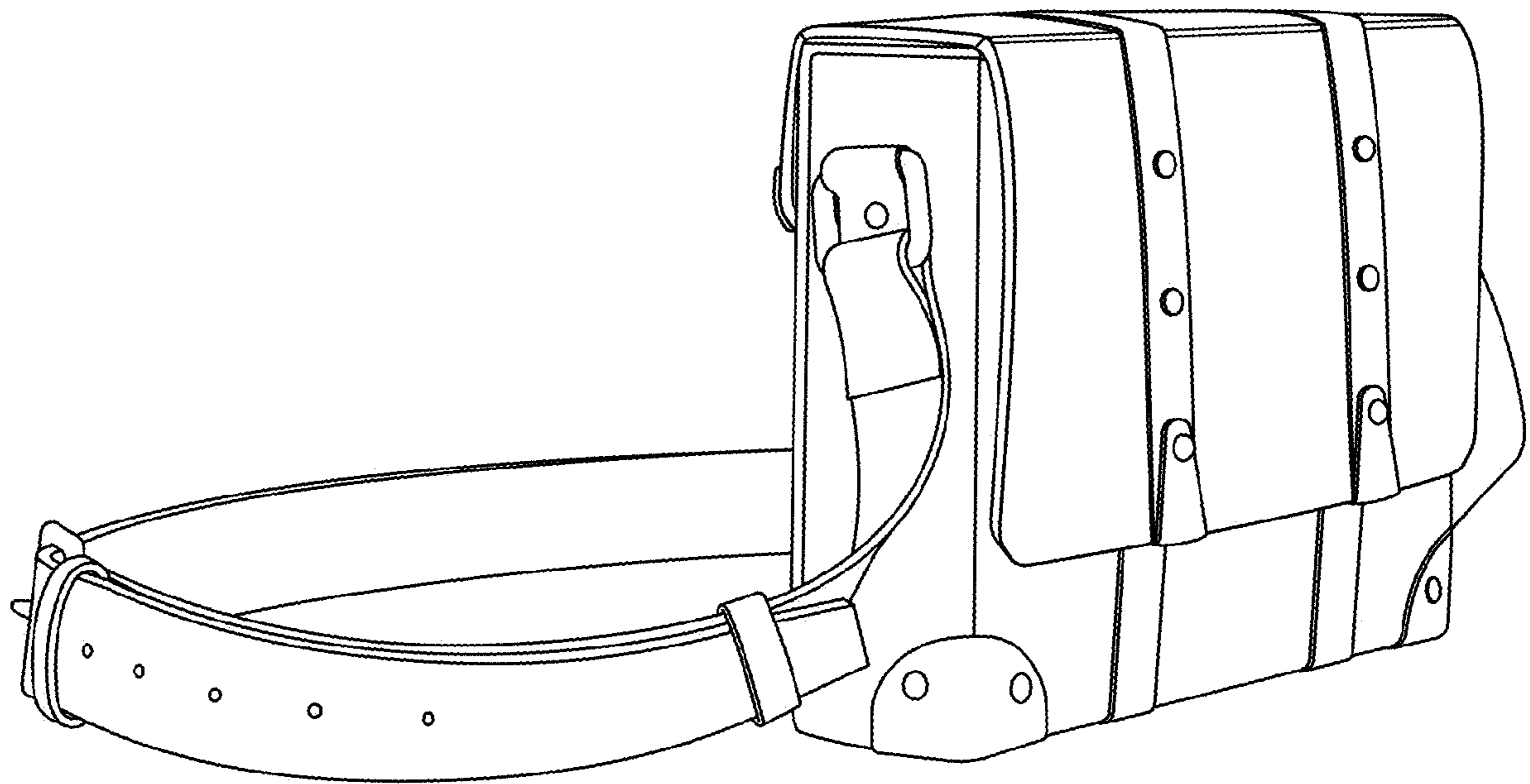


FIG. 1

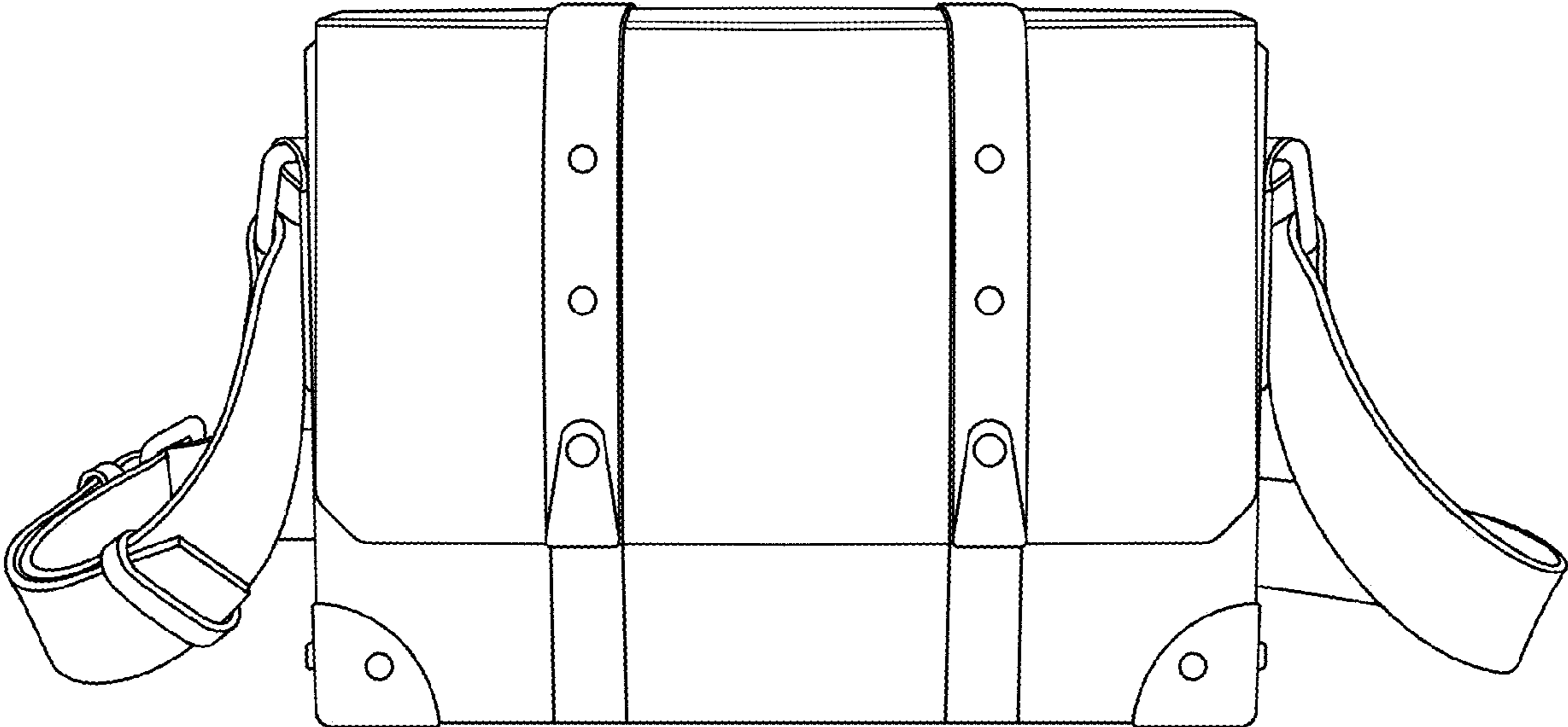


FIG. 2

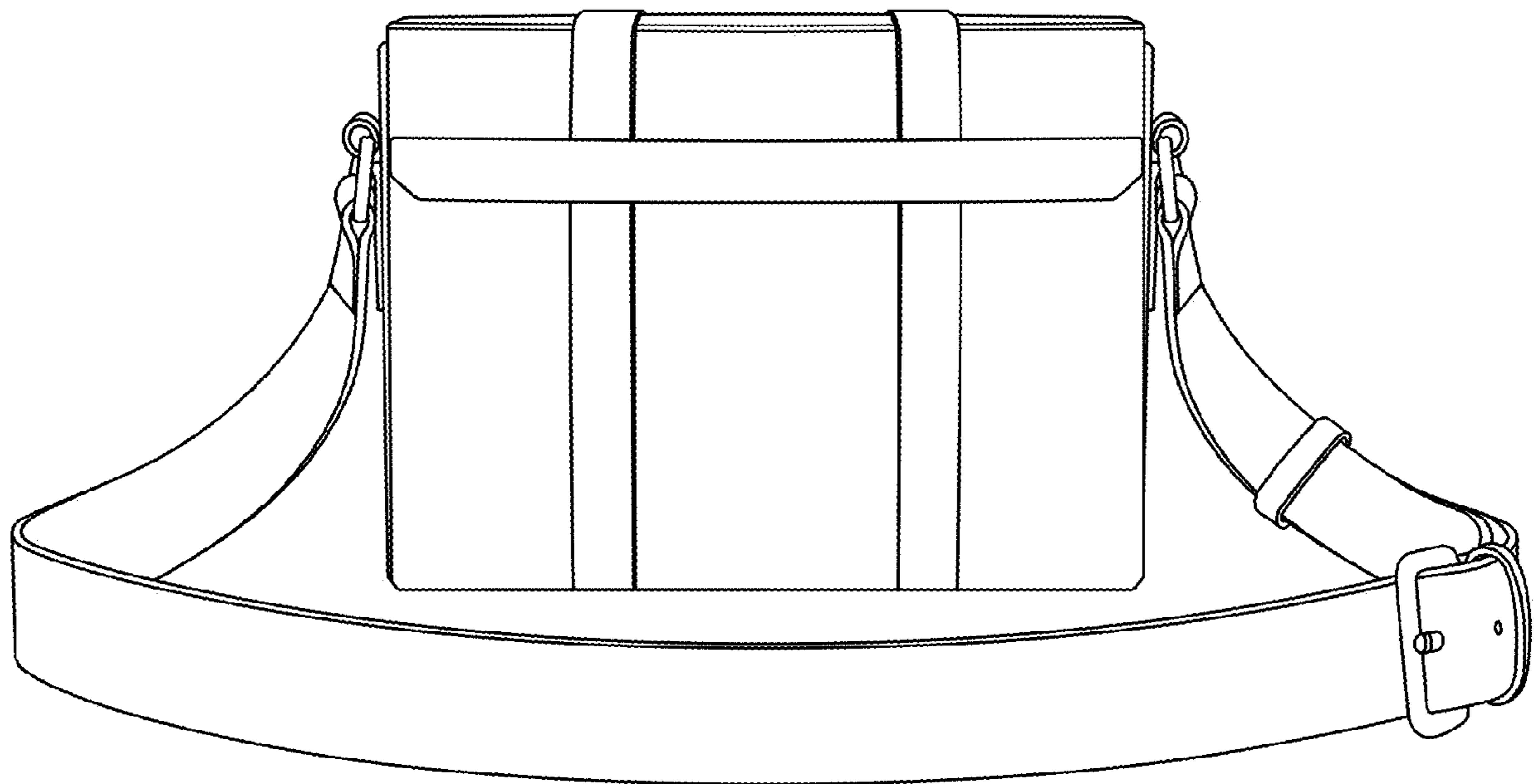


FIG. 3

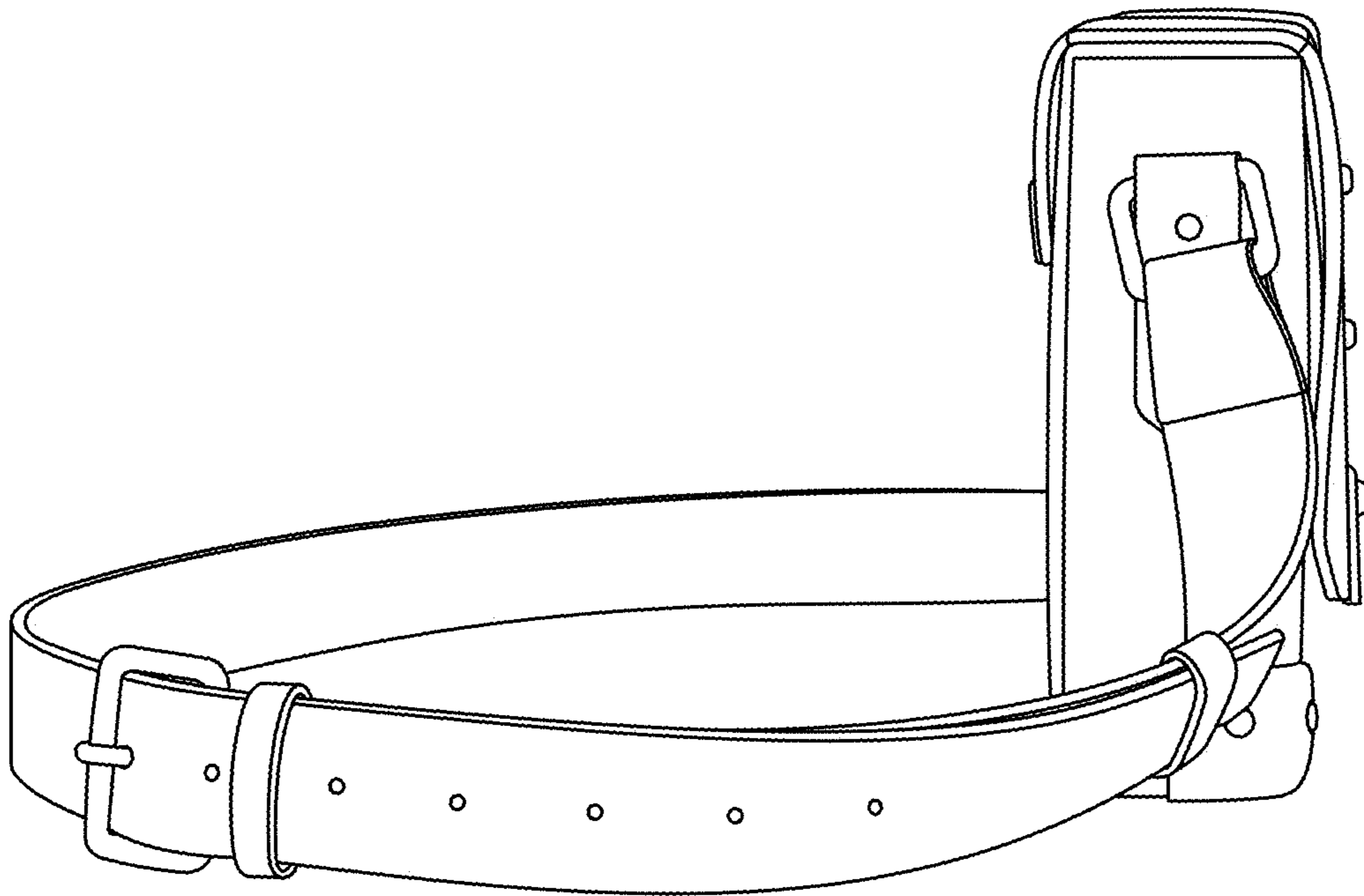


FIG. 4

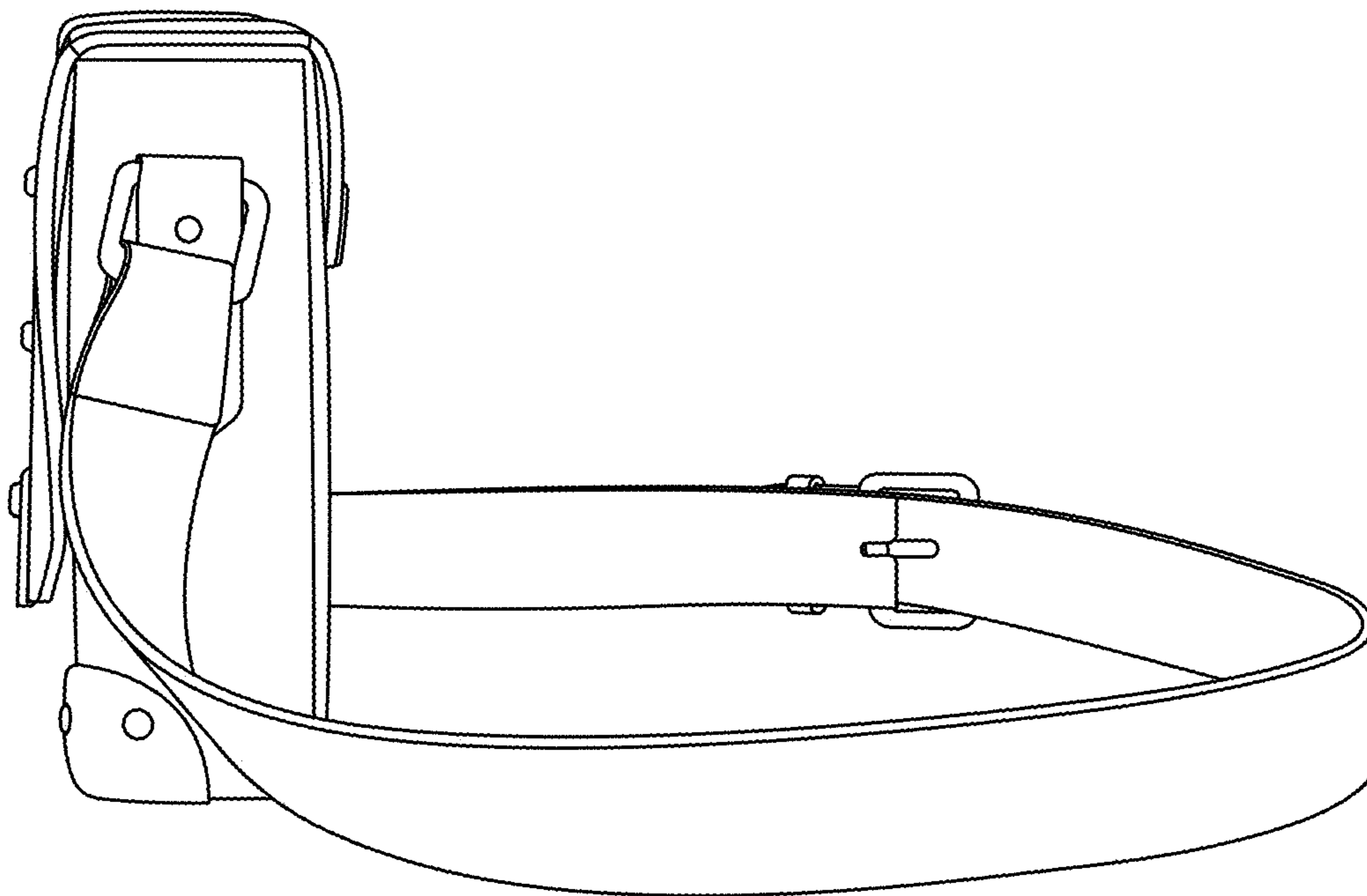


FIG. 5

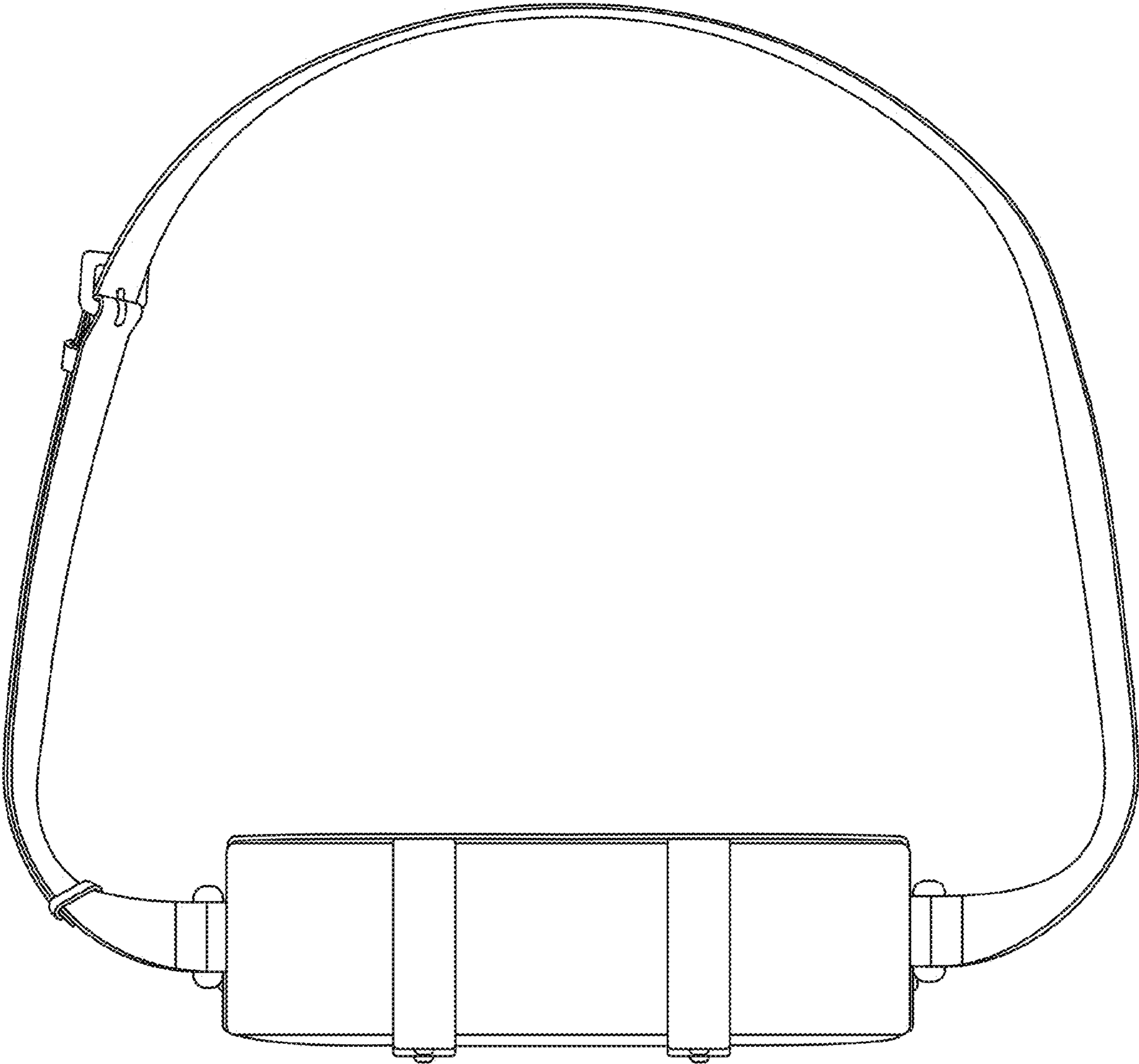


FIG. 6

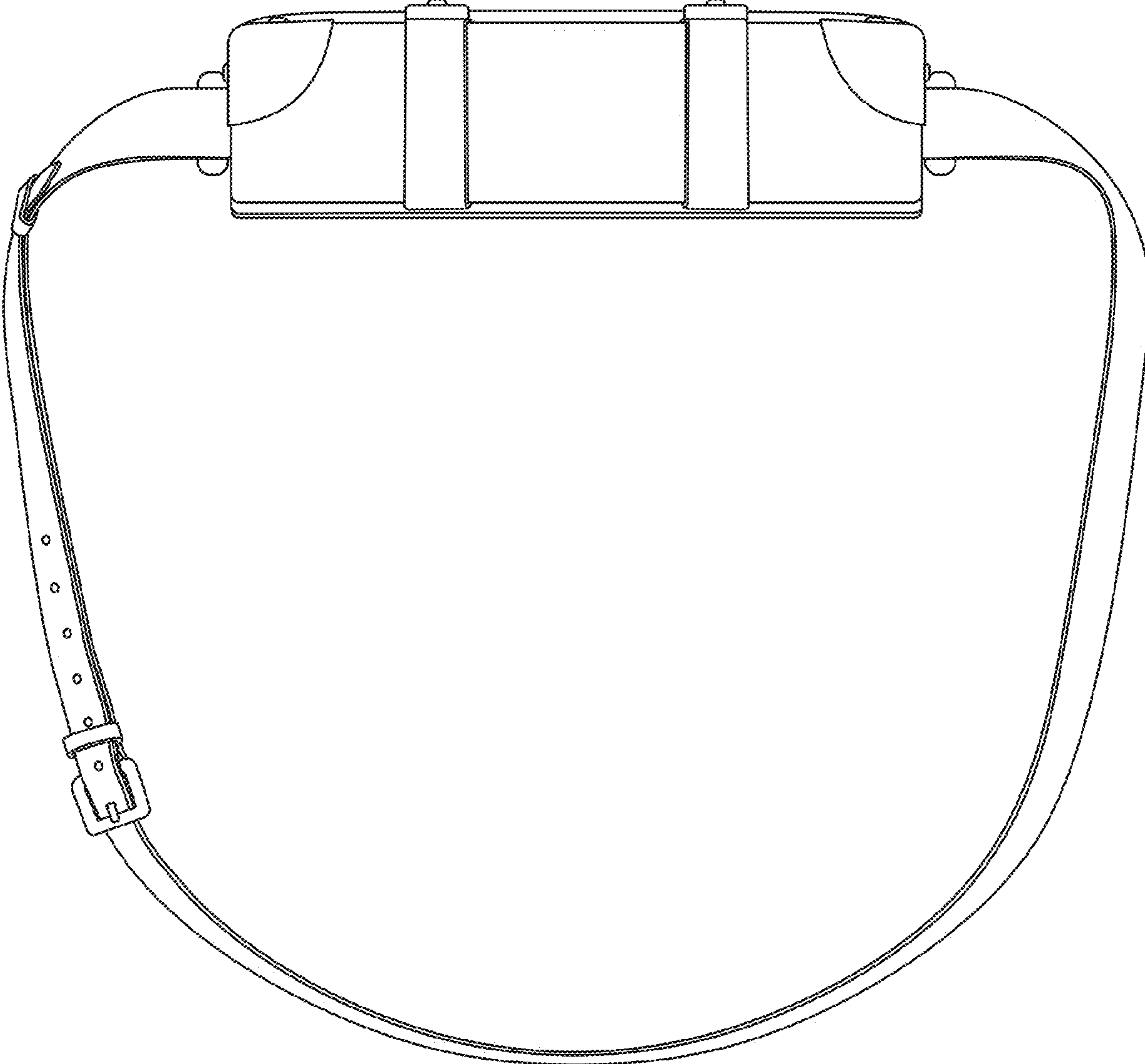


FIG. 7