



US00D981707S

(12) **United States Design Patent**
Coolens

(10) **Patent No.:** **US D981,707 S**
(45) **Date of Patent:** **** Mar. 28, 2023**

- (54) **BACKPACK**
- (71) Applicant: **RIMOWA GmbH**, Cologne (DE)
- (72) Inventor: **Kasper Coolens**, Ghent (BE)
- (73) Assignee: **RIMOWA GmbH**, Cologne (DE)
- (**) Term: **15 Years**
- (21) Appl. No.: **35/512,758**
- (22) Filed: **May 12, 2021**

D543,021	S	*	5/2007	Lee	D3/217
D545,057	S	*	6/2007	Cyr	D3/217
D563,101	S	*	3/2008	Kuchler	D3/279
7,398,868	B2	*	7/2008	Morszeck	A45C 5/14
						190/110
D659,395	S	*	5/2012	Sijmons	D3/279
D709,696	S	*	7/2014	Wu	D3/279
D714,541	S	*	10/2014	Anderson	D3/217
D722,771	S	*	2/2015	Wu	D3/289
D742,631	S	*	11/2015	Kim	D3/217
10,058,151	B2	*	8/2018	Morszeck	B32B 9/04
D833,141	S	*	11/2018	Carter	D3/217
D856,662	S	*	8/2019	Breines	D3/217
D881,555	S	*	4/2020	Iezdin	D3/217
D888,413	S	*	6/2020	Dai	D3/217
D889,821	S	*	7/2020	Xu	D3/217
D920,669	S	*	6/2021	Tu	D3/279

- (80) **Hague Agreement Data**
- Int. Filing Date: **May 12, 2021**
- Int. Reg. No.: **DM/216674**
- Int. Reg. Date: **May 12, 2021**
- Int. Reg. Pub. Date: **Oct. 15, 2021**

* cited by examiner

Primary Examiner — Jennifer L Watkins
(74) *Attorney, Agent, or Firm* — Stetina Brunda Garred & Brucker

- (30) **Foreign Application Priority Data**
- Nov. 17, 2020 (EM) 008272116-0001
- (51) **LOC (14) Cl.** **03-01**
- (52) **U.S. Cl.**
- USPC **D3/217**
- (58) **Field of Classification Search**
- USPC D3/216, 217, 283, 279, 321
- See application file for complete search history.

- (57) **CLAIM**
- The ornamental design for a backpack, as shown and described.

- (56) **References Cited**
- U.S. PATENT DOCUMENTS
- D256,630 S * 9/1980 Maney D3/217
- 5,749,503 A * 5/1998 Wulf A45C 7/0086
- 224/652
- D420,792 S * 2/2000 Sakelliou D3/217
- D446,008 S * 8/2001 Schulze D3/217
- D500,590 S * 1/2005 Sachen D3/216
- D511,620 S * 11/2005 Van Himbeeck D3/217

DESCRIPTION

1. Backpack

1.1 : Perspective

1.2 : Front

1.3 : Back

1.4 : Right

1.5 : Left

1.6 : Top

1.7 : Bottom

Fig. 1.1 is a perspective view of the design; fig. 1.2 is a front view thereof; fig. 1.3 is a back view thereof; fig. 1.4 is a right side view thereof; fig. 1.5 is a left side view thereof; fig. 1.6 is a top view thereof; and fig. 1.7 is a bottom view thereof.

1 Claim, 7 Drawing Sheets

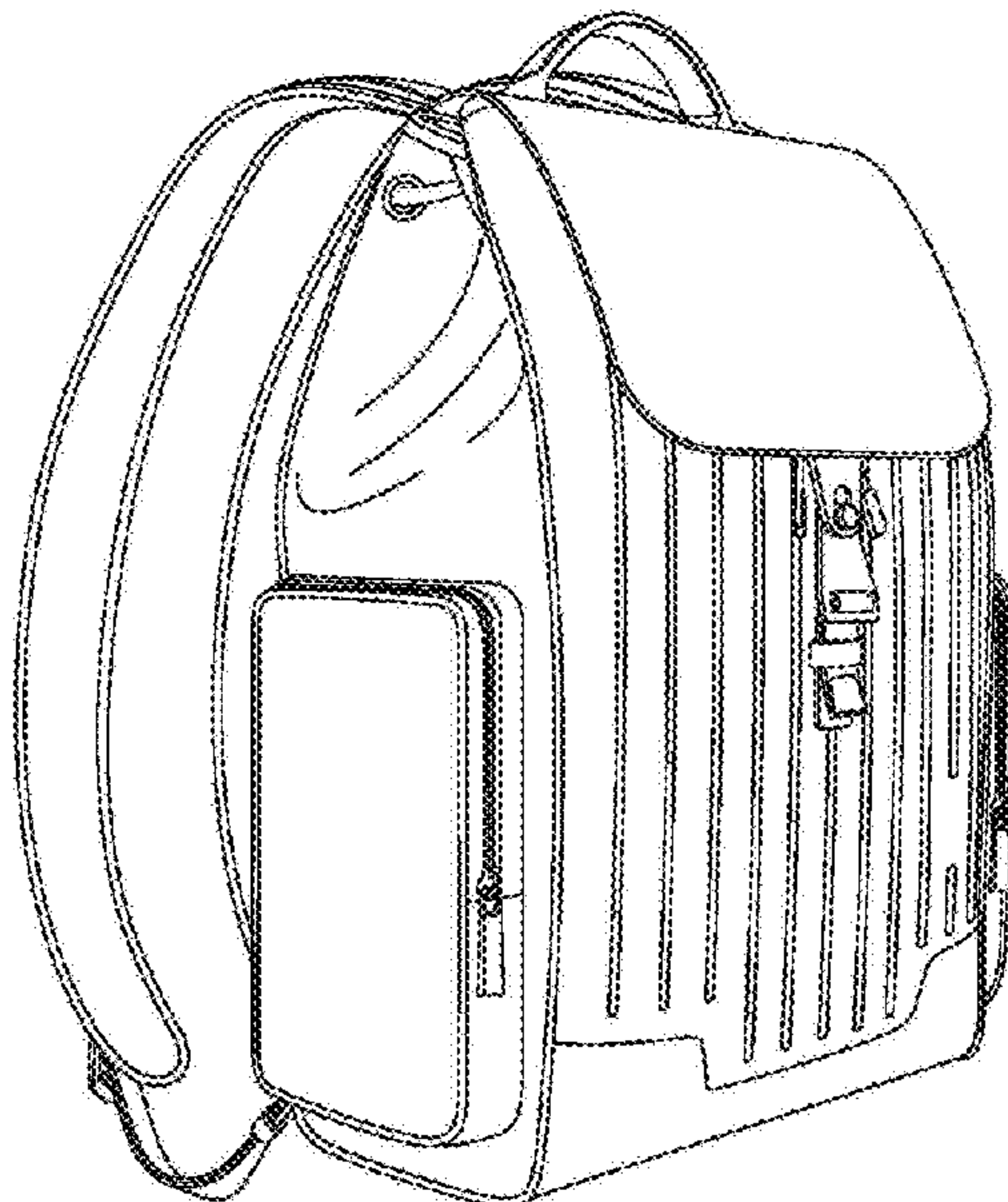
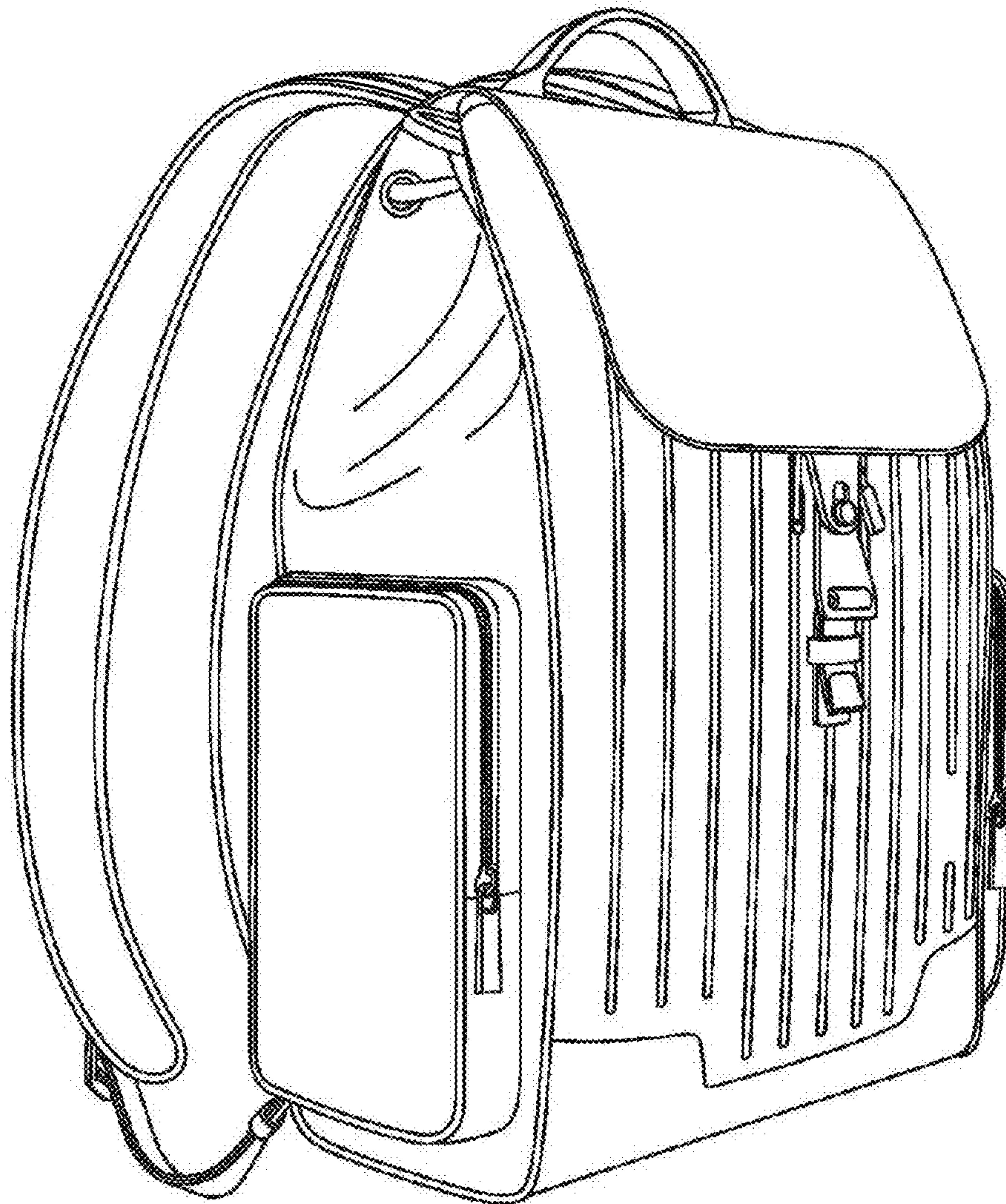
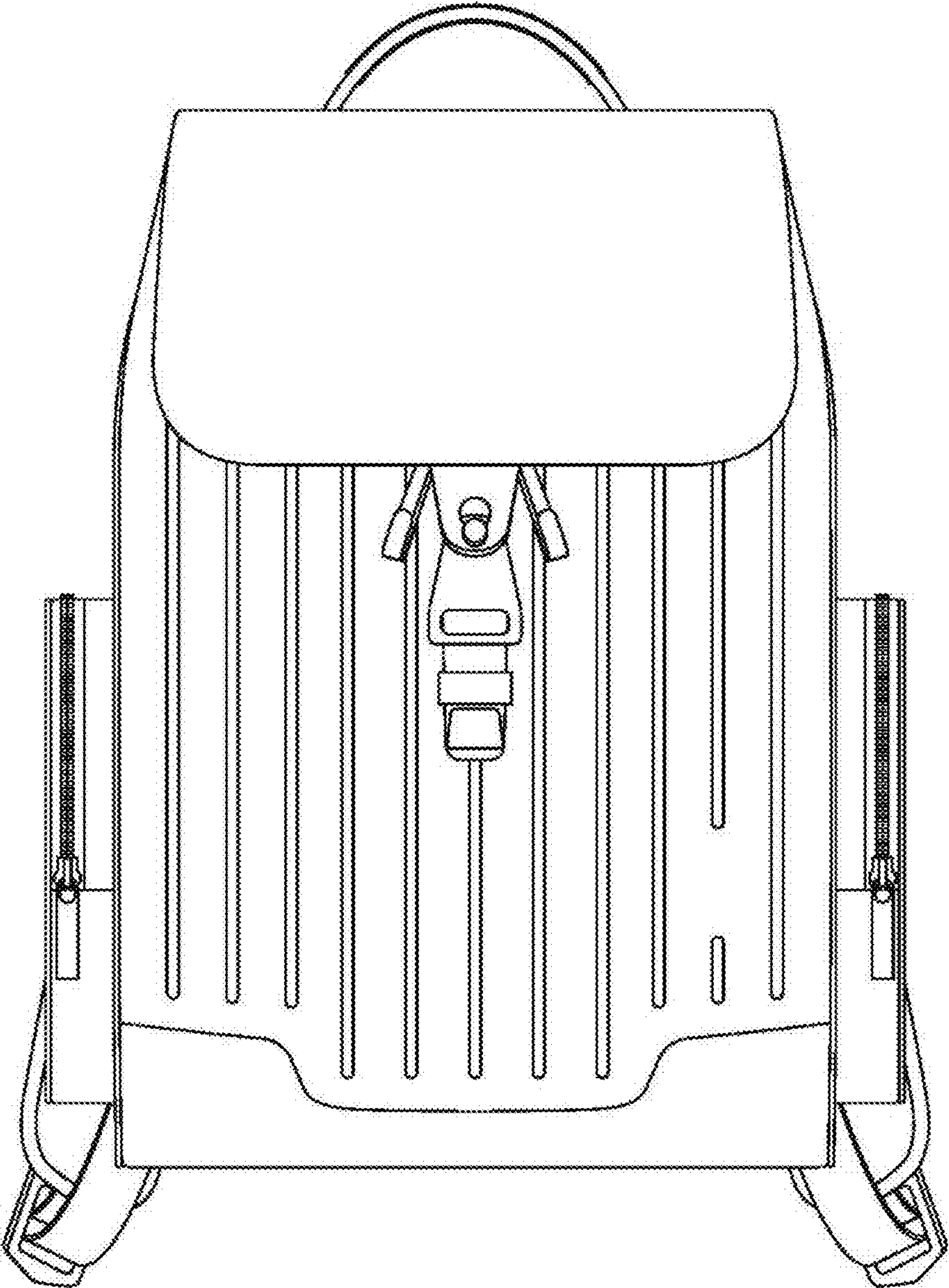


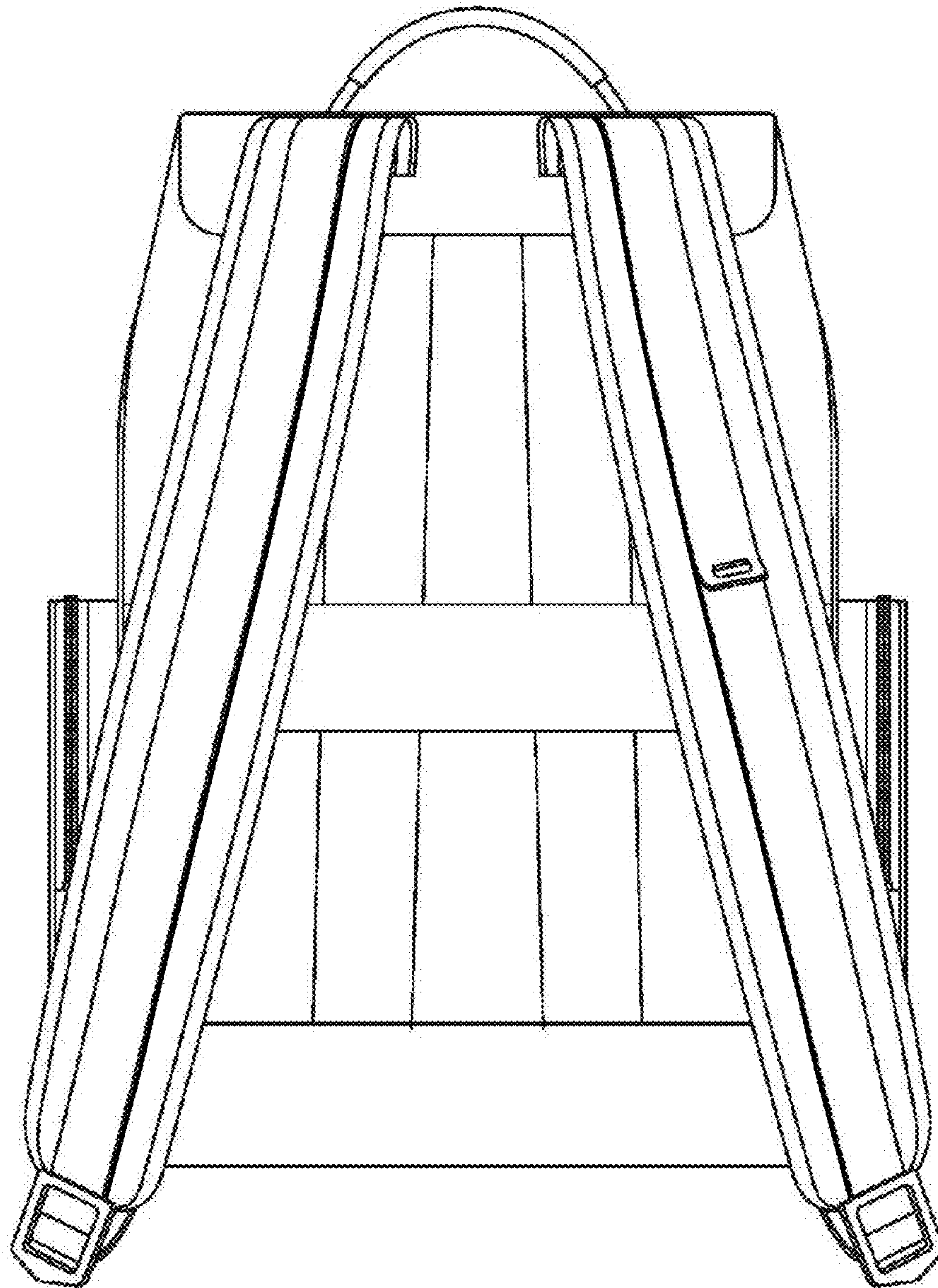
FIG. 1



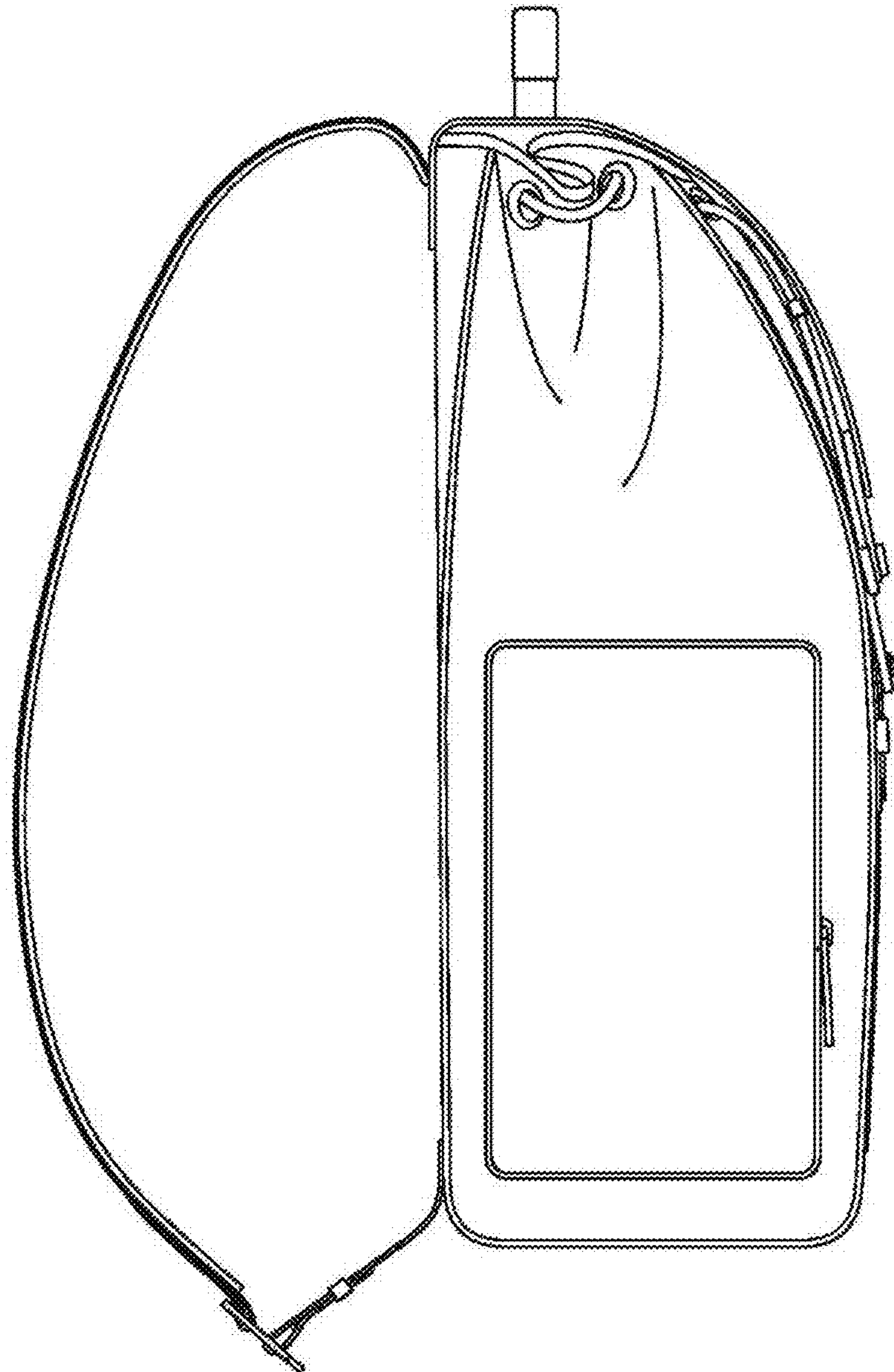
1.2



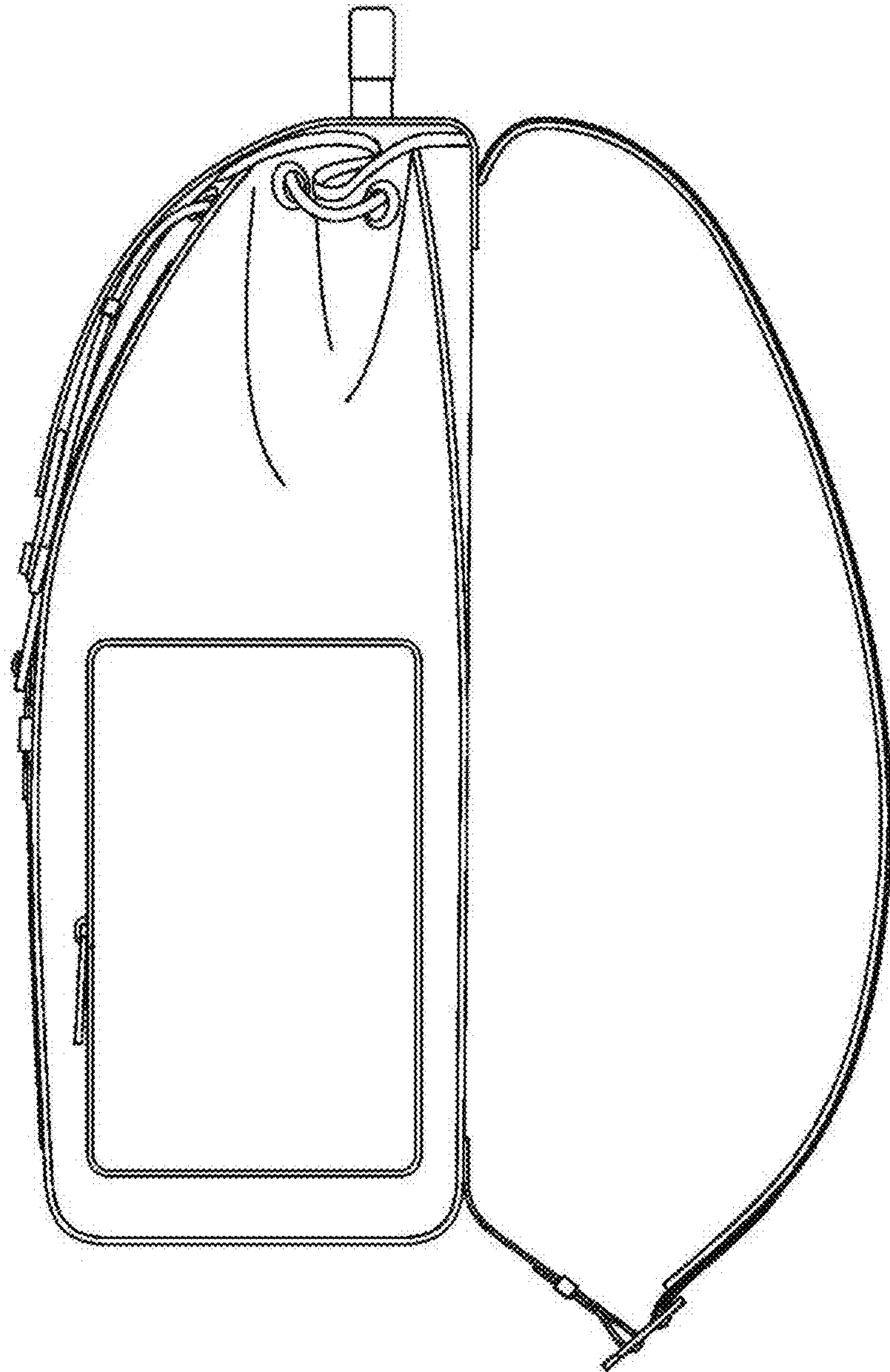
1.3



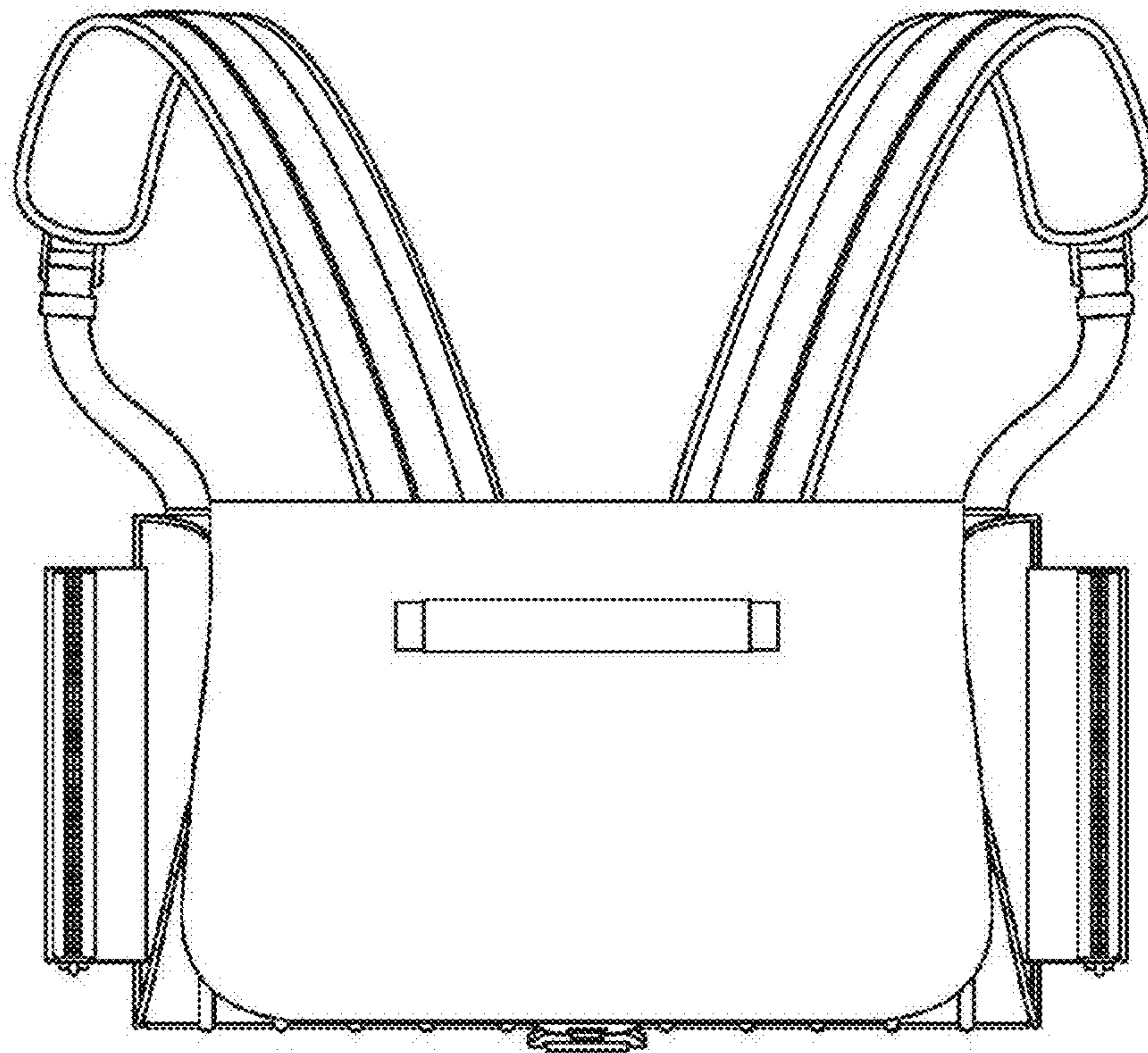
1.4



1.5



1.6



1.7

