



US00D981703S

(12) **United States Design Patent**
Wold et al.

(10) **Patent No.:** **US D981,703 S**
(45) **Date of Patent:** **** Mar. 28, 2023**

(54) **ATTACHABLE CONTAINER HOLDER**

(71) Applicant: **LifeHandle, LLC**, Casper, WY (US)
(72) Inventors: **Joseph S. Wold**, Roslindale, MA (US);
Brendan Truscott, West Roxbury, MA (US)
(73) Assignee: **LifeHandle, LLC**, Casper, WY (US)

(**) Term: **15 Years**

(21) Appl. No.: **29/770,961**

(22) Filed: **Feb. 18, 2021**

(51) **LOC (14) Cl.** **09-02**

(52) **U.S. Cl.**
USPC **D3/202; D3/208**

(58) **Field of Classification Search**
USPC D3/201, 202, 203.1, 215, 216, 221, 226,
D3/323, 327, 224, 10-13, 218, 229;
(Continued)

(56) **References Cited**

U.S. PATENT DOCUMENTS

334,844 A * 1/1886 Briesen A45F 5/00
224/241
D315,245 S * 3/1991 Envall D3/202
(Continued)

FOREIGN PATENT DOCUMENTS

CN 303056904 * 12/2014
PH 702012000000052-00 * 5/2012

OTHER PUBLICATIONS

Amazon.ca, Site visited May 18, 2022, OYT Adjustable Water
Bottle Holder Sling, First available Oct. 25, 2016, <https://www.amazon.ca/OYT-Adjustable-Water-Bottle-Holder/dp/B01F4YO67E> (Year: 2016).*

(Continued)

Primary Examiner — Brett Miller
Assistant Examiner — Jessica M Gebhart
(74) *Attorney, Agent, or Firm* — Cooley LLP

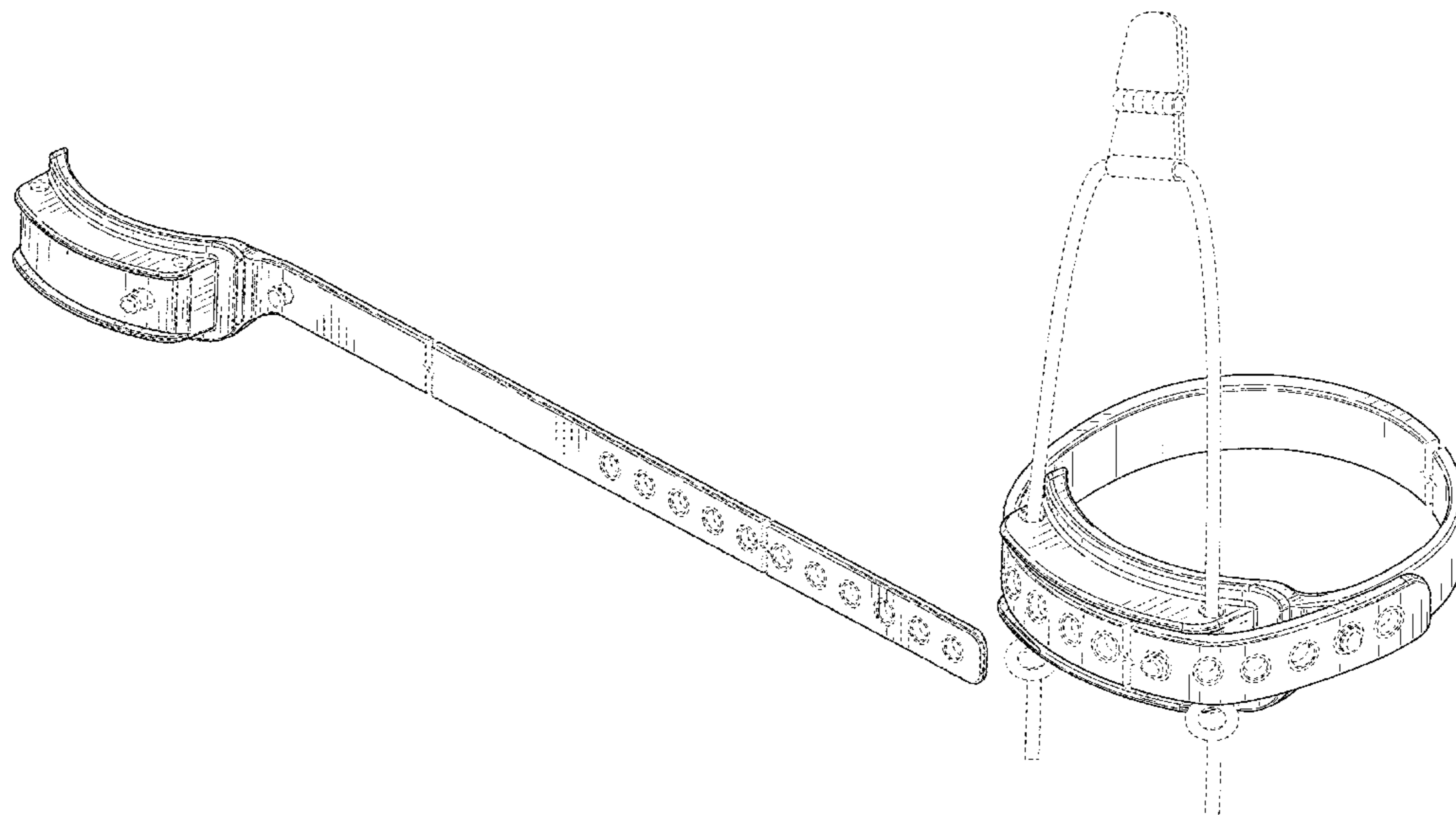
(57) **CLAIM**

The ornamental design for an attachable container holder, as shown and described.

DESCRIPTION

FIG. 1 is a front perspective view of an attachable container holder, according to an embodiment;
FIG. 2 is a front view of the attachable container holder illustrated in FIG. 1;
FIG. 3 is a rear view of the attachable container holder illustrated in FIG. 1;
FIG. 4 is a right side view of the attachable container holder illustrated in FIG. 1;
FIG. 5 is a left side view of the attachable container holder illustrated in FIG. 1;
FIG. 6 is a top view of the attachable container holder illustrated in FIG. 1;
FIG. 7 is a bottom view of the attachable container holder illustrated in FIG. 1;
FIG. 8 is a rear perspective view of the attachable container holder of FIG. 1; and,
FIG. 9 is an alternative front perspective view of the attachable container holder illustrated in FIG. 1, with the band in a second position in which the band is curved and fastened about a buckle housing, and also with a hanging cord attached to the buckle housing and a clip attached to the hanging cord.
The broken lines are directed to environment and are for illustrative purposes only and form no part of the claimed design. The thin solid lines and surface shading illustrate surface contour and form no part of the claimed design. The drawings contain a symbolic break. The portions between the break lines form no part of the claimed design.

1 Claim, 6 Drawing Sheets



(58) **Field of Classification Search**

USPC D8/394, 395, 396; D7/605–607, 387,
D7/396, 622, 393, 536; D11/3;
D22/147; D9/455
CPC A44C 5/18; A45F 5/00; A45B 3/00; A45B
5/00

See application file for complete search history.

(56) **References Cited**

U.S. PATENT DOCUMENTS

5,409,151	A	4/1995	Freimark	
5,464,136	A *	11/1995	Eddy	F41C 33/046 2/322
6,378,746	B1	4/2002	Miller	
D580,266	S *	11/2008	Hecht	D9/455
D715,674	S *	10/2014	Squires	D10/32
D750,886	S *	3/2016	Webb	D3/208
D786,550	S *	5/2017	Grote	D3/215
D824,899	S *	8/2018	Yang	D14/344
D869,597	S *	12/2019	Caballero Tapia	D28/91.1
D928,011	S *	8/2021	Vonau	D11/2
2007/0228228	A1 *	10/2007	Korbonski	A61J 9/06 248/104
2015/0265034	A1 *	9/2015	Lee	A45F 5/00 224/219
2021/0251371	A1	8/2021	Wold	

OTHER PUBLICATIONS

Amazon.com, Site visited May 18, 2022, E-cowlboy Auto Cane Car Grab Handle, First available Jul. 18, 2019, <https://www.amazon.com/cowlboy-Adjustable-Standing-Vehicle-Portable/dp/B07VGPQWBS> (Year: 2019).*

Amazon.com, Site visited May 18, 2022, Wilderness Systems Magna Tech Water Bottle Strap, First available Nov. 3, 2020, <https://www.amazon.com/Wilderness-Systems-Bottle-Magnetic-Universal/dp/B08ML5RY18> (Year: 2020).*

Amazon.ca, Site visited May 26, 2022, SportDOG GPS Dog Collar, First available Jan. 13, 2016, <https://www.amazon.ca/SportDOG-Brand-Tracking-Collar-Collar/dp/B00MR5OGME> (Year: 2016).*

“EEKit 2 Packs Carry Bag for 30 Oz Tumbler, Yeti, Ozark, . . . Shoulder String,” Amazon.com, retrieved from URL <https://www.amazon.com/EEKit-Tumbler-Adjustable-Detachable-Shoulder/dp/B01N1TCOKS/ref=sr_1_5?dchild=1&keywords=eekit+cup+holder&qid . . .>, Dec. 28, 2020, 7 pages.

“Yeti Small Bottle Sling for Rambler 18 oz. Bottle, Charcoal,” Amazon.com, retrieved from URL <https://www.amazon.com/YETI-Small-Bottle-Rambler-Charcoal/dp/B0842BLCLV/ref=sr_1_1?dchild=1&keywords=yeti+sling&qid=1609175930&sr=8-1>, Dec. 28, 2020, 6 pages.

Camera harness product image (source unknown) Retrieved as of Apr. 2020.

Camera harness product image 2 (source unknown) Retrieved as of Apr. 2020.

GearTac product image (source unknown) Retrieved as of Apr. 2020.

GearTac Systems, “Geartrek,” retrieved from URL <<https://geartac.com/products/geartrek-hands-free-dog-walking-device-leash>>, 2020, 4 pages.

Store Your Board, “Ski Backpack Carry Straps | Mountain Goat Tote,” retrieved from URL <<https://www.storeyourboard.com/ski-carrier-straps-ski-tote-backpack/>>, Dec. 28, 2020, 3 pages.

Yeti small bottle sling image (source unknown) Retrieved as of Aug. 2020.

U.S. Appl. No. 29/751,815, filed Sep. 23, 2020.

U.S. Appl. No. 17/179,185, filed Feb. 18, 2021.

* cited by examiner

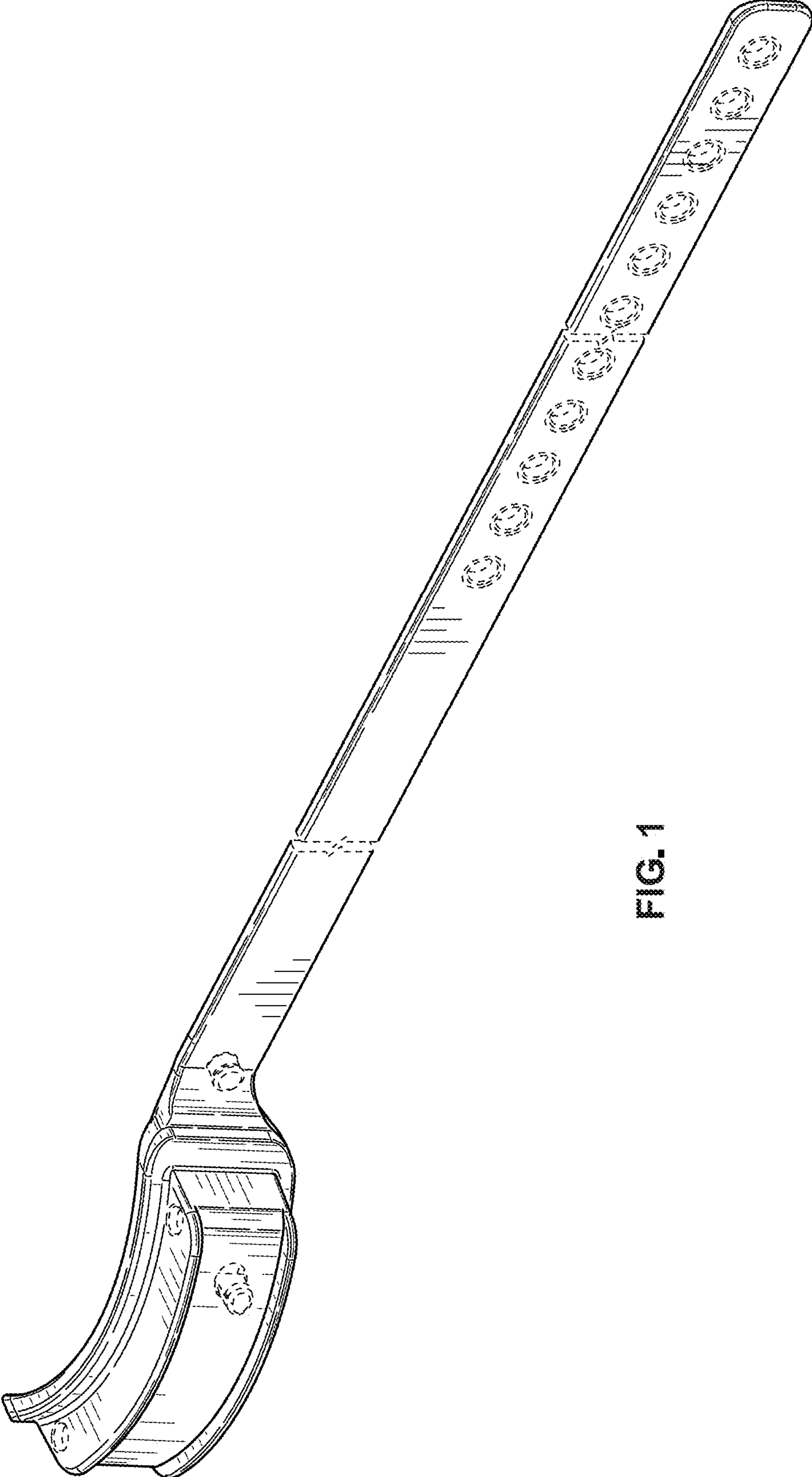


FIG. 1

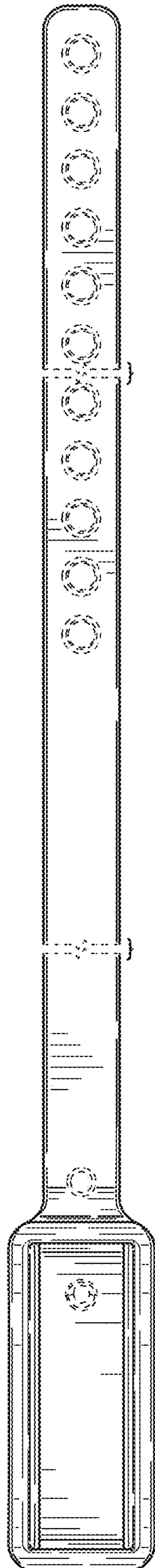


FIG. 2

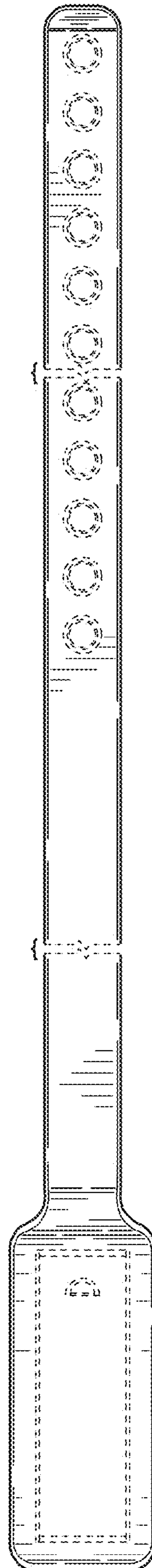


FIG. 3

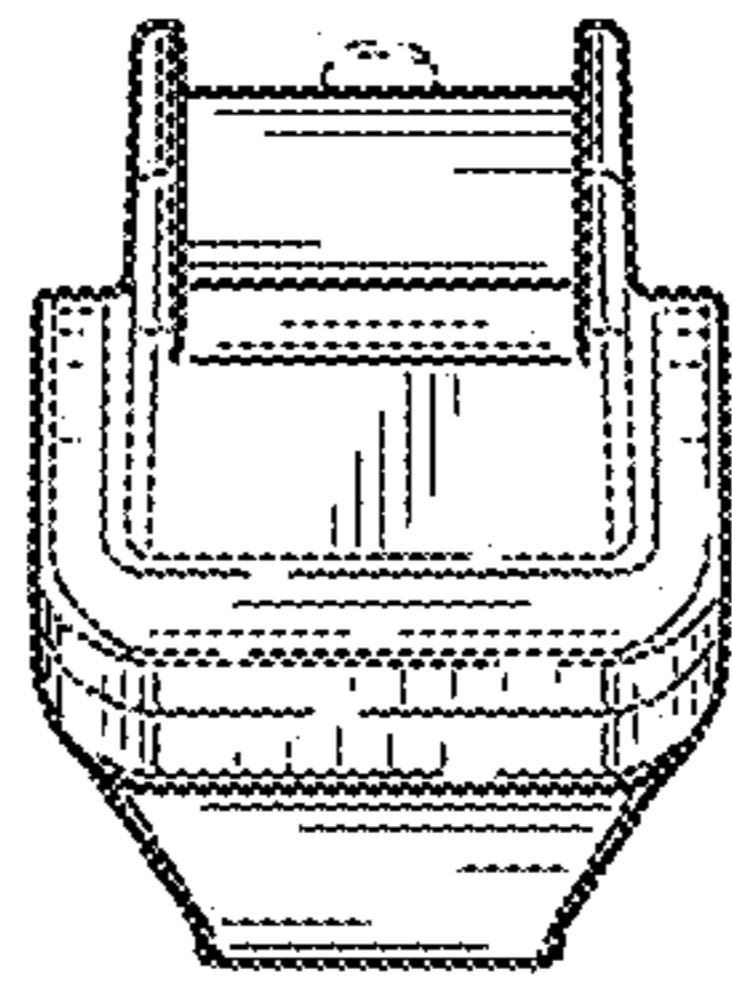


FIG. 5

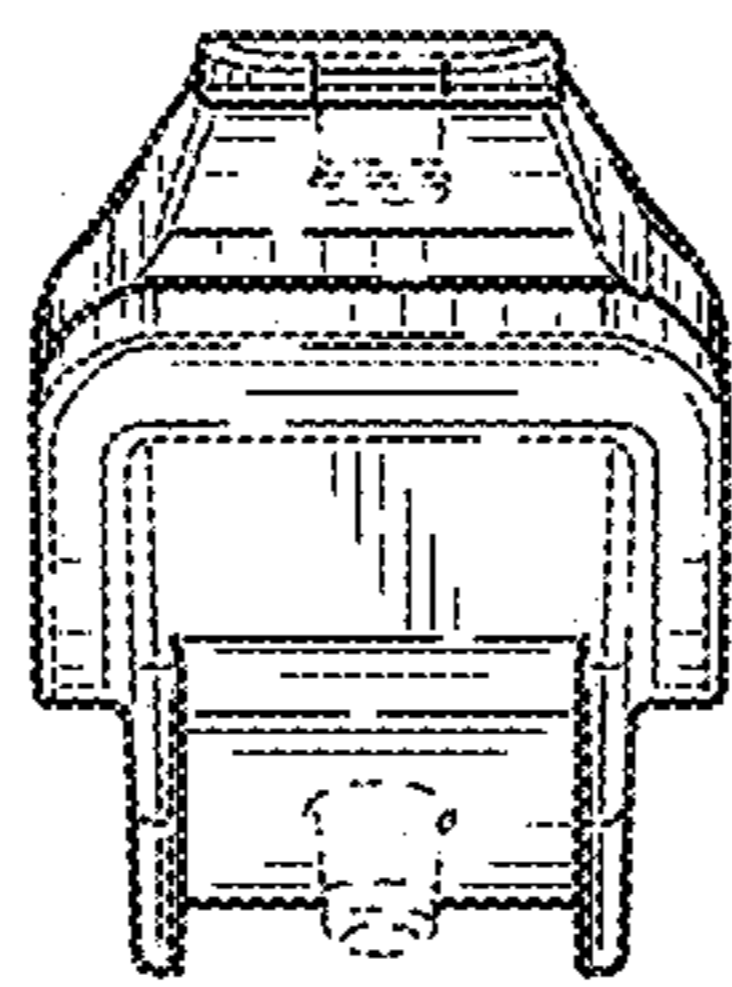


FIG. 4

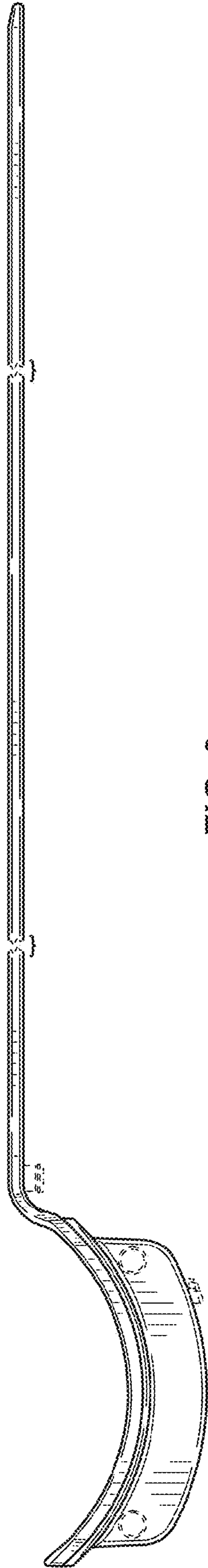


FIG. 6

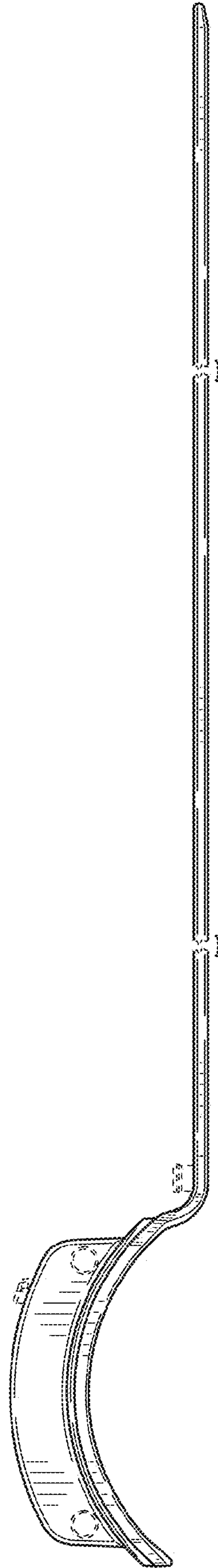


FIG. 7

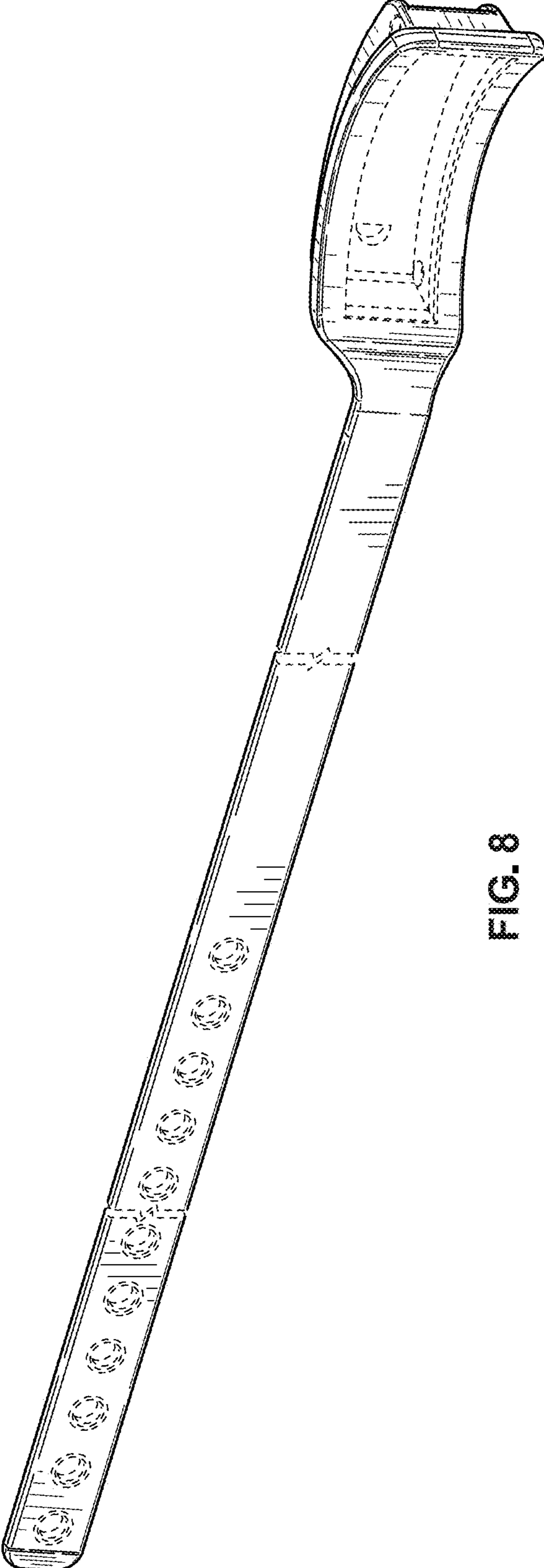


FIG. 8

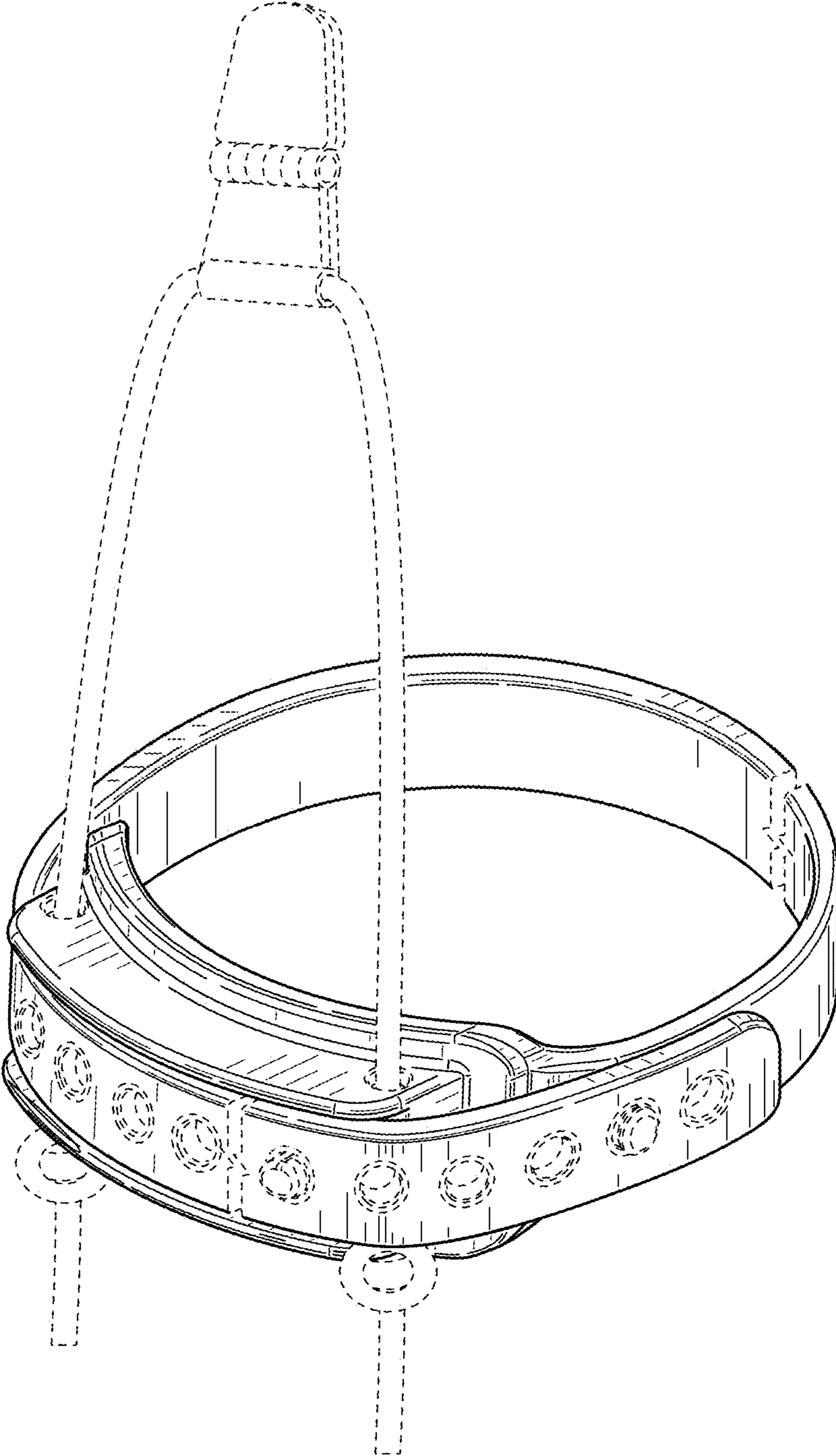


FIG. 9