



US00D981701S

(12) **United States Design Patent**
Shao

(10) **Patent No.:** **US D981,701 S**
(45) **Date of Patent:** **** Mar. 28, 2023**

(54) **SHOE STRETCHER**
(71) Applicant: **Guangzhou Mingyang Electronic Commerce Co., Ltd., Guangzhou (CN)**
(72) Inventor: **Hai Shao, Hefei (CN)**
(73) Assignee: **Guangzhou Mingyang Electronic Commerce Co., Ltd., Guangzhou (CN)**
(**) Term: **15 Years**

(21) Appl. No.: **29/823,986**
(22) Filed: **Jan. 21, 2022**
(51) **LOC (14) Cl.** **07-99**
(52) **U.S. Cl.**
USPC **D2/979**
(58) **Field of Classification Search**
USPC D2/641, 642, 896, 961, 979, 999
CPC A43D 3/1475; A43D 3/08; A43D 3/1441;
A43D 3/1466; A43D 3/145; A43D 3/12;
A43D 3/14
See application file for complete search history.

(56) **References Cited**
U.S. PATENT DOCUMENTS
1,660,912 A * 2/1928 Brock A43D 3/08
12/128 V
2,203,792 A * 6/1940 Loney A43D 3/1466
12/115.8
2,361,531 A * 10/1944 Clausing A43D 3/1483
D2/979
2,549,502 A * 4/1951 McClenathan A43D 3/08
12/117.2

3,206,780 A * 9/1965 Cox A43D 3/08
D2/979
3,239,860 A * 3/1966 Iredale A43D 3/1466
D2/979
D331,828 S * 12/1992 Issler A43D 3/08
D2/979
6,883,197 B2 * 4/2005 Tak A43D 3/1408
12/115.8
D573,340 S 7/2008 Shtyn et al.
D620,095 S * 7/2010 Ullman D23/366
D633,710 S 3/2011 Aldatz
D841,308 S 2/2019 Wang

* cited by examiner

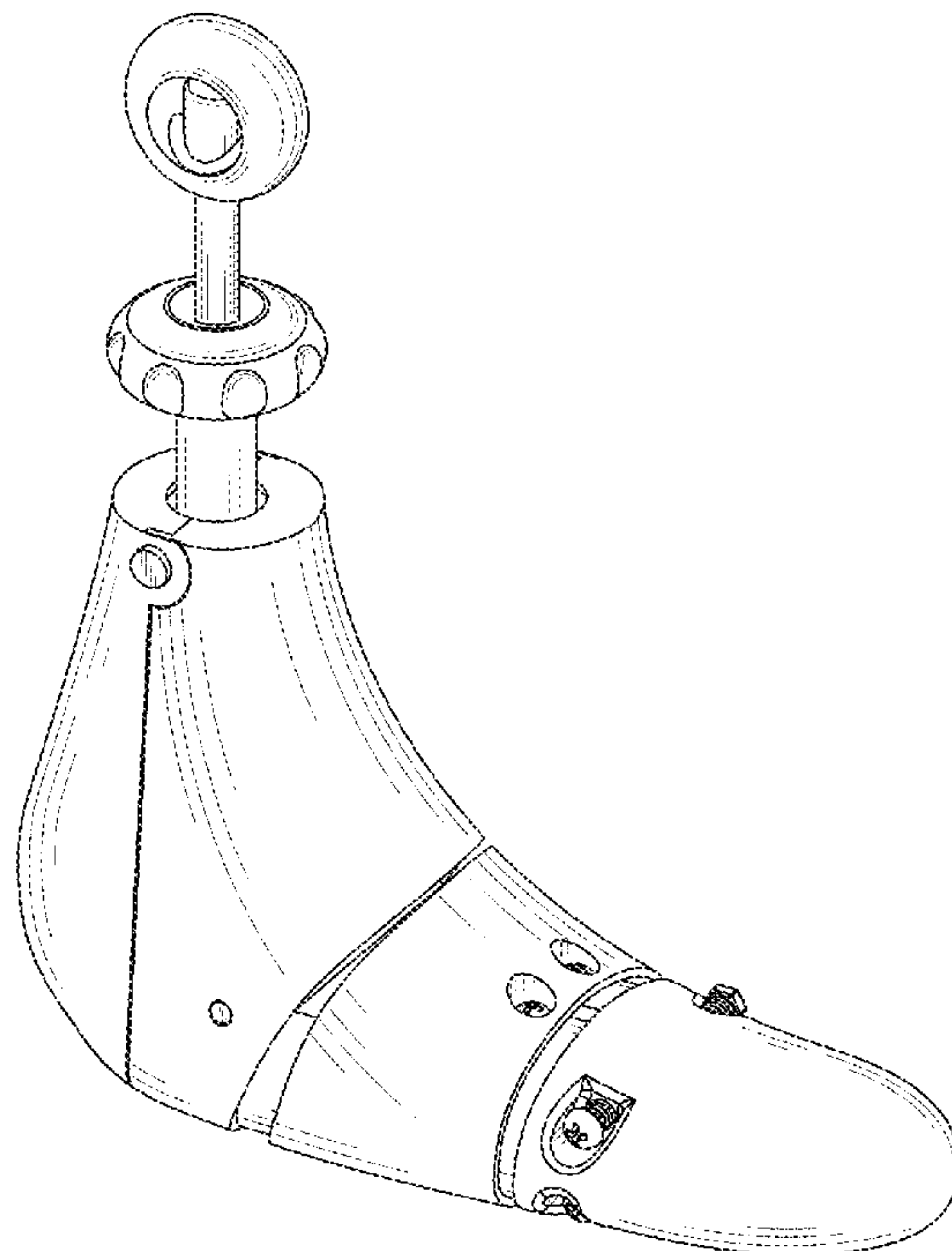
Primary Examiner — Rashida C. Walshon
(74) *Attorney, Agent, or Firm* — True Shepherd LLC;
Andrew C. Cheng

(57) **CLAIM**
The ornamental design for a shoe stretcher, as shown and described.

DESCRIPTION

FIG. 1 is a perspective view of a shoe stretcher showing my new design;
FIG. 2 is another perspective view thereof;
FIG. 3 is a front view thereof;
FIG. 4 is a rear view thereof;
FIG. 5 is a left side view thereof;
FIG. 6 is a right side view thereof;
FIG. 7 is a top plan view thereof;
FIG. 8 is a bottom plan view thereof; and,
FIG. 9 is a perspective view thereof in an open state.
The broken lines depict portions of the shoe stretcher and form no part of the claimed design.

1 Claim, 9 Drawing Sheets



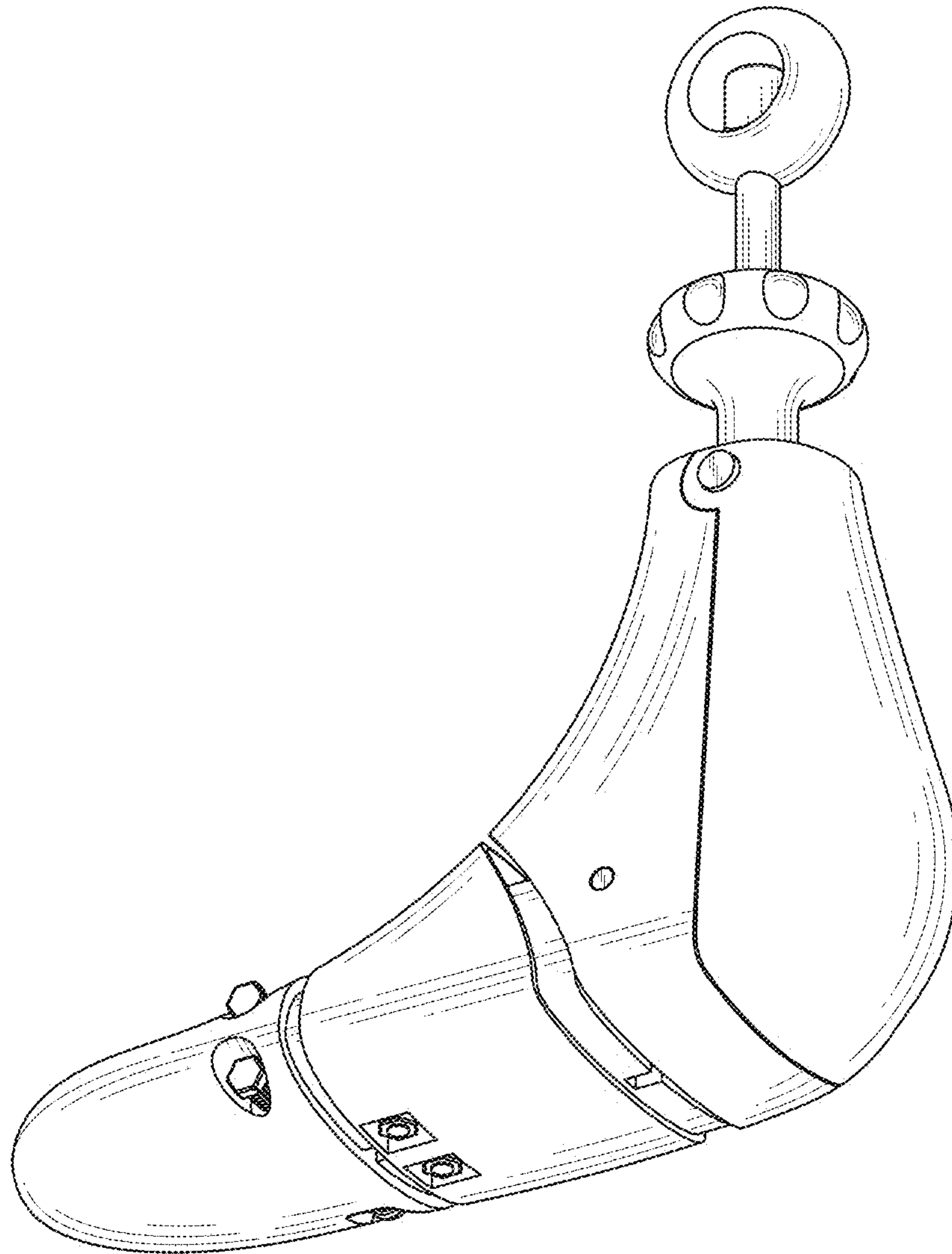


FIG. 2

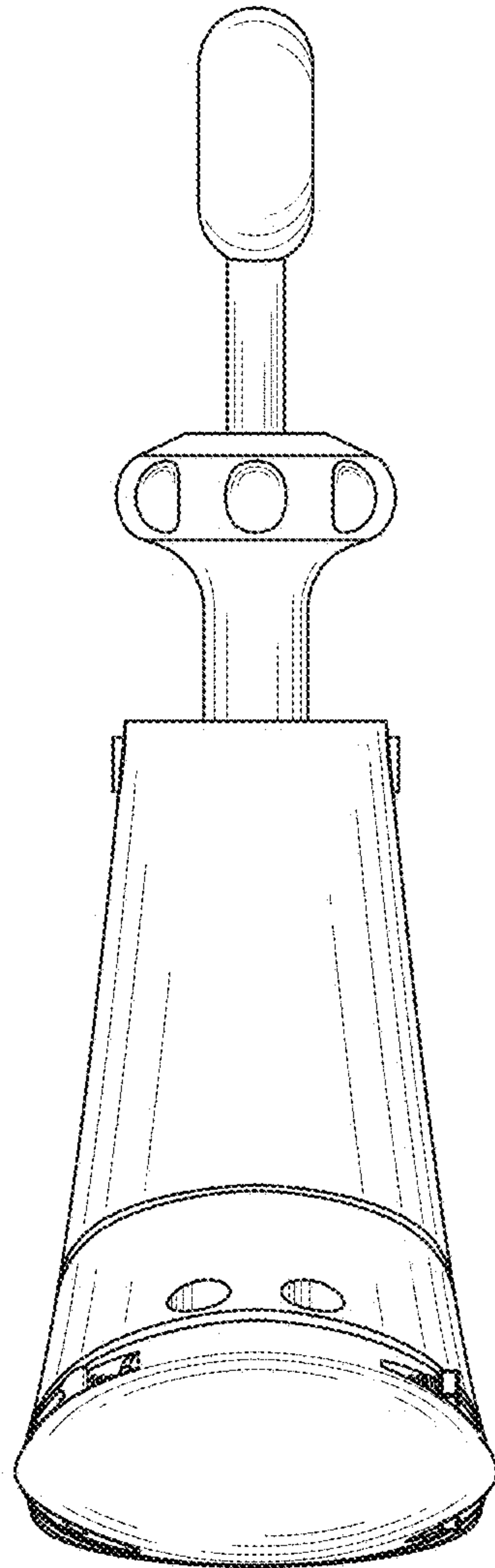


FIG. 3

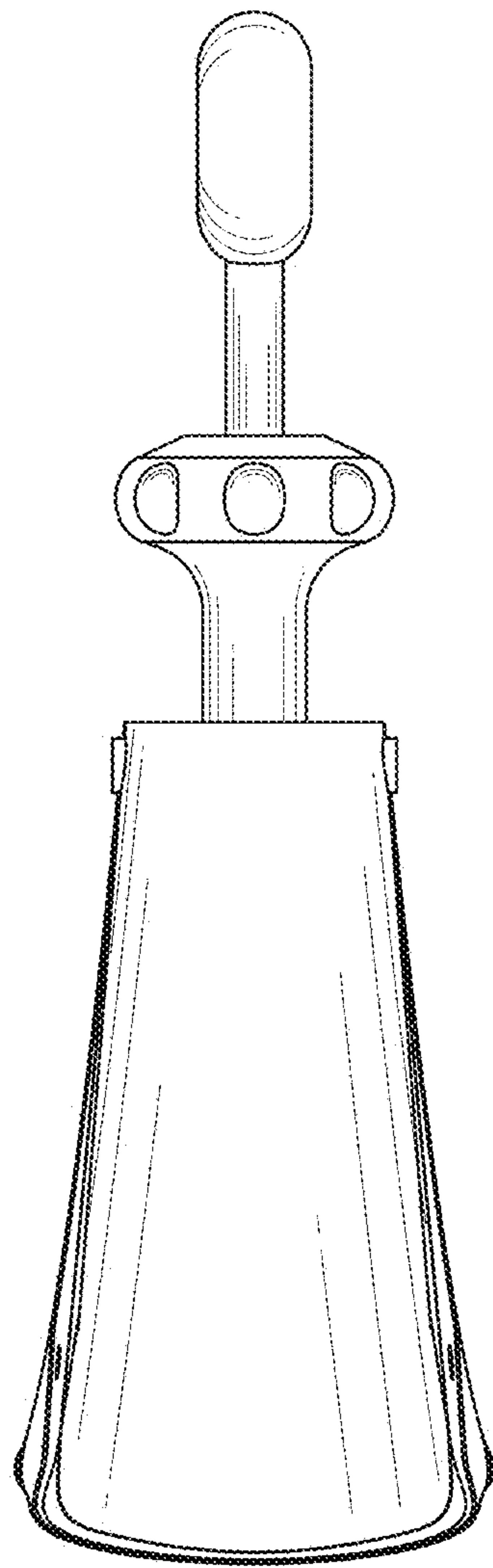


FIG. 4

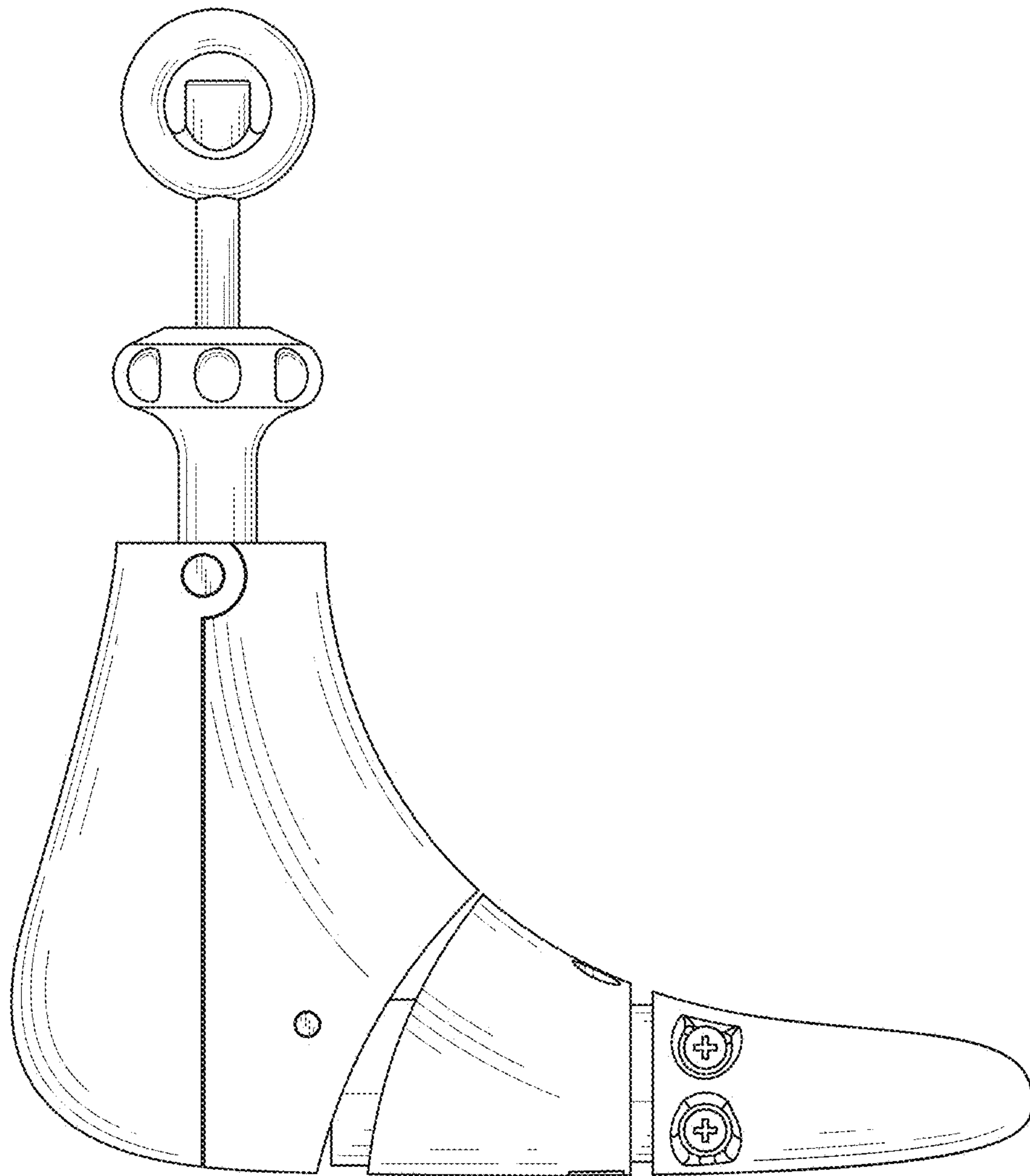


FIG. 5

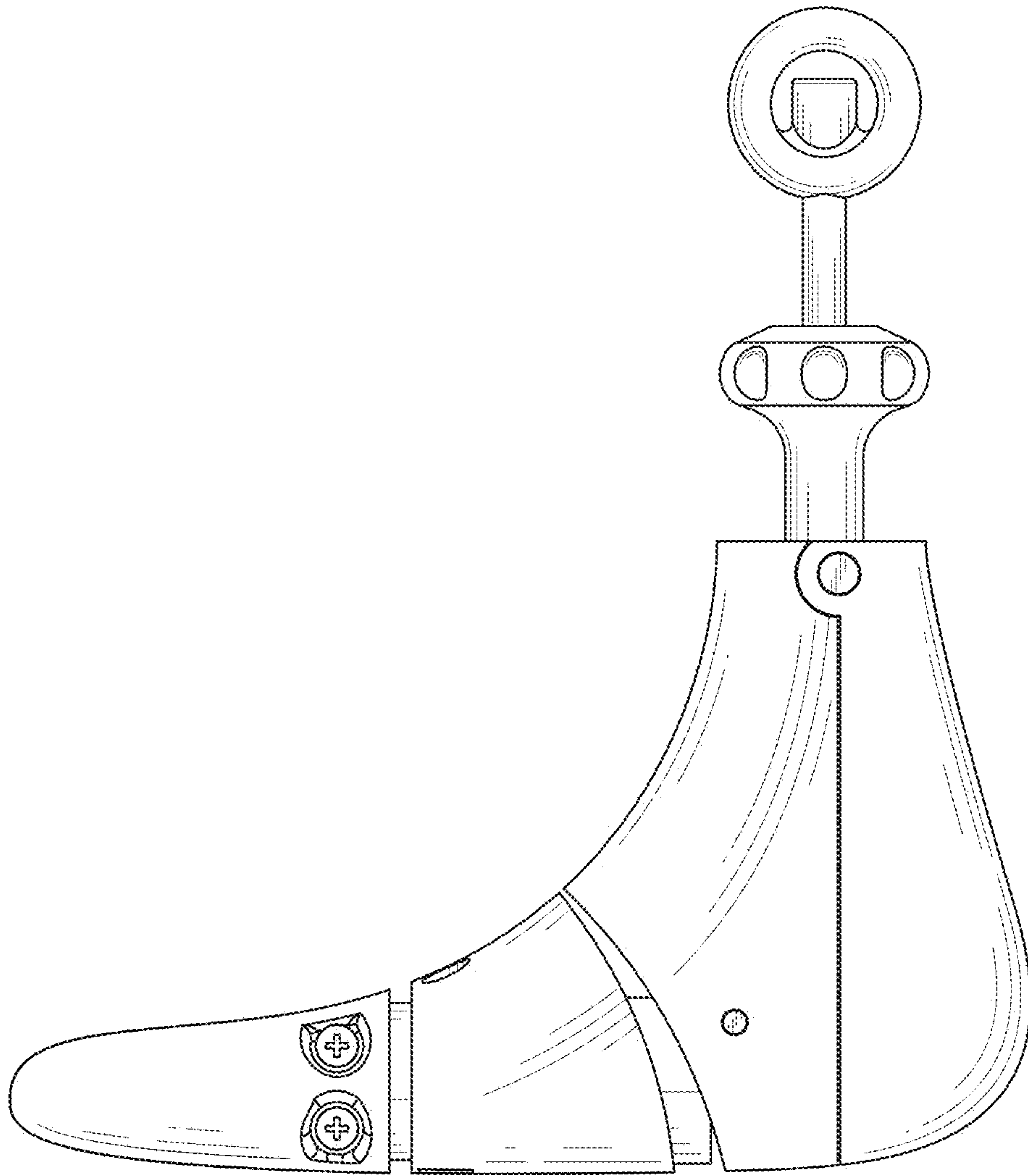


FIG. 6

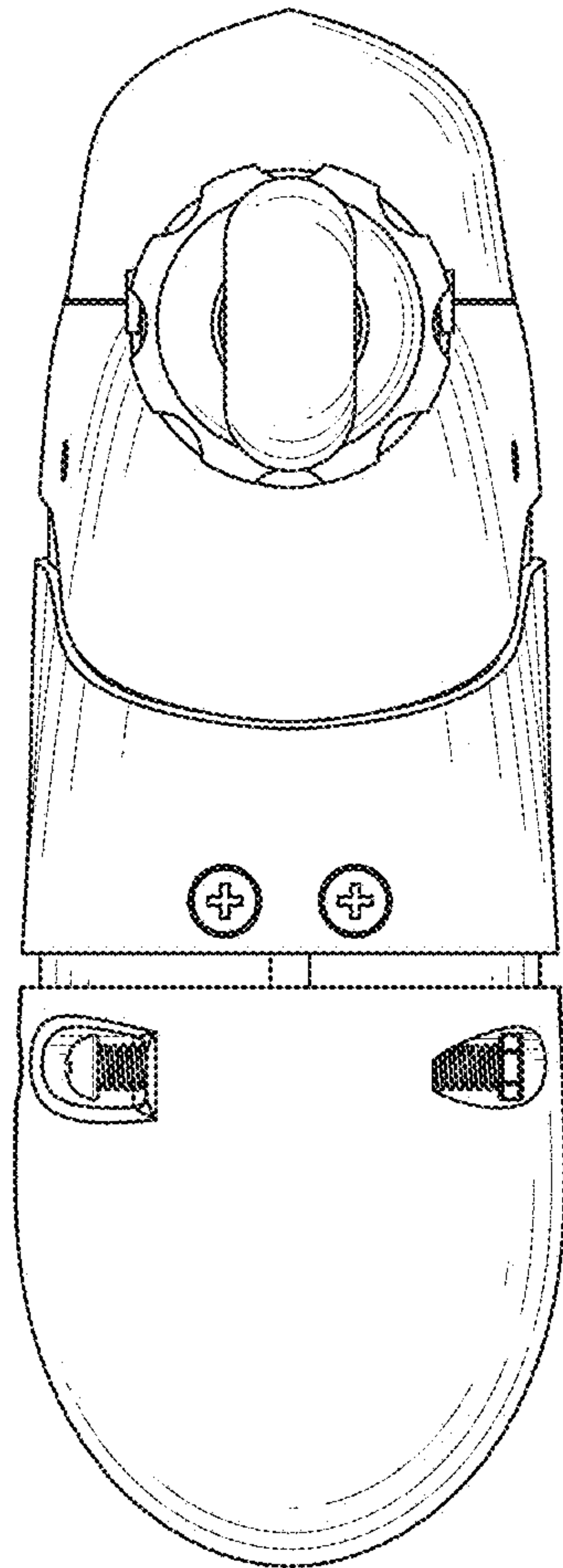


FIG. 7

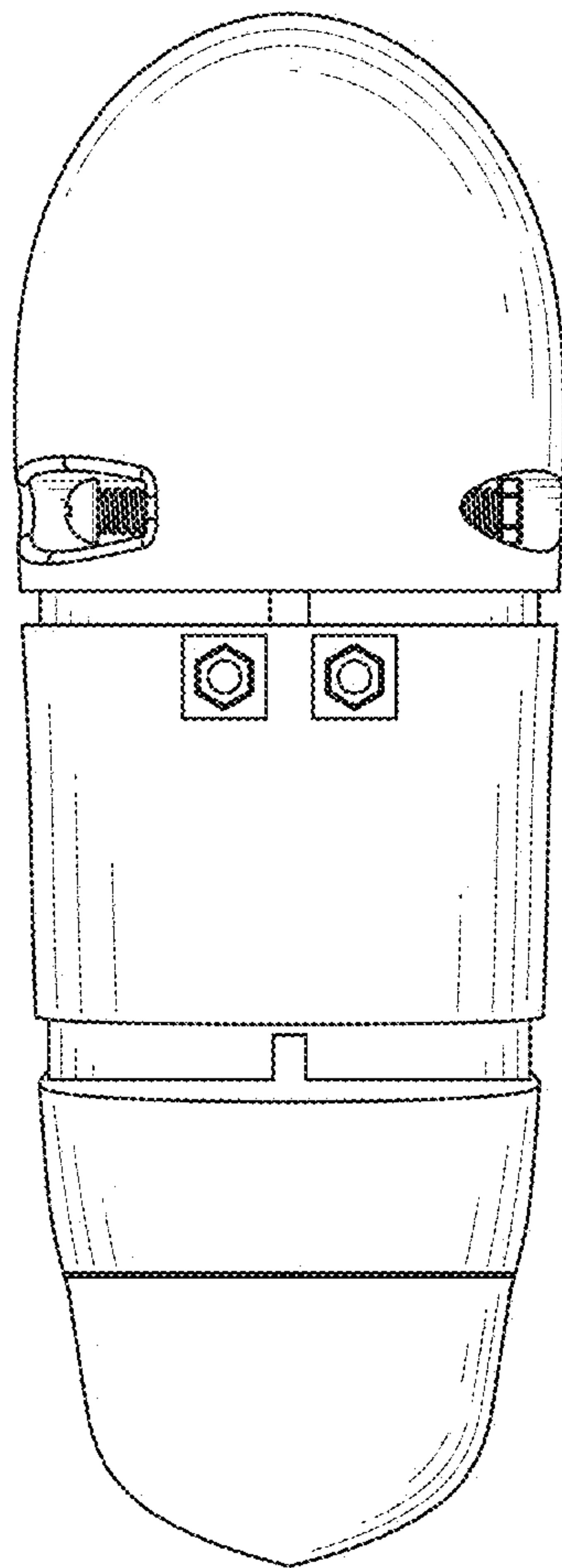


FIG. 8

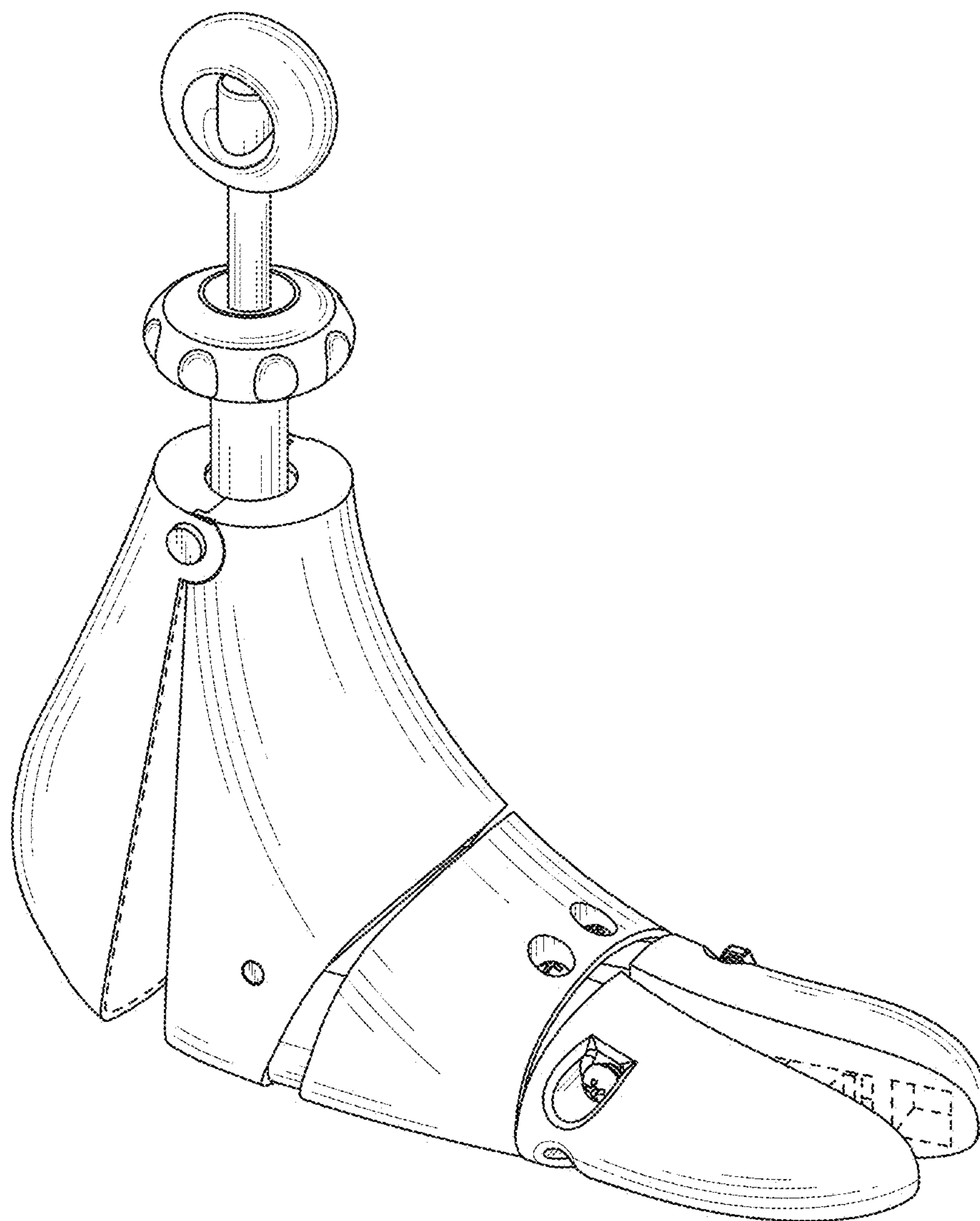


FIG. 9