



US00D981688S

(12) **United States Design Patent** (10) **Patent No.:** **US D981,688 S**
Chen (45) **Date of Patent:** **** Mar. 28, 2023**

(54) **SHELL SHAPED BONNET**
(71) Applicant: **Xiaohong Chen**, Zhangzhou (CN)
(72) Inventor: **Xiaohong Chen**, Zhangzhou (CN)

D785,364 S 5/2017 Barnett
D833,716 S * 11/2018 Hester D2/876
D841,294 S 2/2019 Diaz
D947,502 S * 4/2022 Benshoof D2/876
2021/0259345 A1* 8/2021 Michaels A42B 1/22

(**) Term: **15 Years**

(21) Appl. No.: **29/799,768**

(22) Filed: **Jul. 16, 2021**

(51) **LOC (14) Cl.** **02-03**

(52) **U.S. Cl.**
USPC **D2/876**

(58) **Field of Classification Search**
USPC D2/865, 866, 871, 872, 873, 874, 875,
D2/876, 877, 882, 884, 886, 891, 894
CPC .. A41D 20/00; A42B 1/00; A42B 1/02; A42B
1/06; A42B 1/201; A42B 1/22; A42B
1/225; A42C 5/02; A42C 5/04
See application file for complete search history.

(56) **References Cited**

U.S. PATENT DOCUMENTS

2,185,306 A * 1/1940 Marks A42B 1/22
2/209.3
4,384,371 A * 5/1983 Sonne A42B 1/045
2/209.12
D408,969 S 5/1999 Bingham et al.
D524,517 S * 7/2006 Javits, Jr. D2/875
D529,262 S * 10/2006 Yan D2/876
D537,692 S 3/2007 Aglassinger
D588,785 S * 3/2009 Cho D2/876
D596,381 S * 7/2009 Pharis D2/876
D609,883 S * 2/2010 Cunliffe D2/876
D617,539 S 6/2010 Boles
D636,975 S * 5/2011 Fountain D2/876
D654,250 S * 2/2012 Kaufman D2/876
D720,120 S 12/2014 Simmonds

OTHER PUBLICATIONS

2 in 1 Sun Visor Hats Headbands for Women Wide Brim Roll-up Summer Beach Hats . . . [online]; [date first available to the internet on May 14, 2021]; [retrieved from the internet on Jun. 13, 2022]; URL: see reference below. (7 pages). (Year: 2021).
URL: https://www.amazon.com/Headbands-Roll-up-Protection-Foldable-Packable/dp/B0933C8ZJZ/ref=sr_1_1?qid=1654811363&refinements=p_4%3Aweatrelat&s=apparel&sr=1-1&th=1.*

(Continued)

Primary Examiner — Jasmine Mlinarcik
(74) *Attorney, Agent, or Firm* — Rumit Ranjit Kanakia

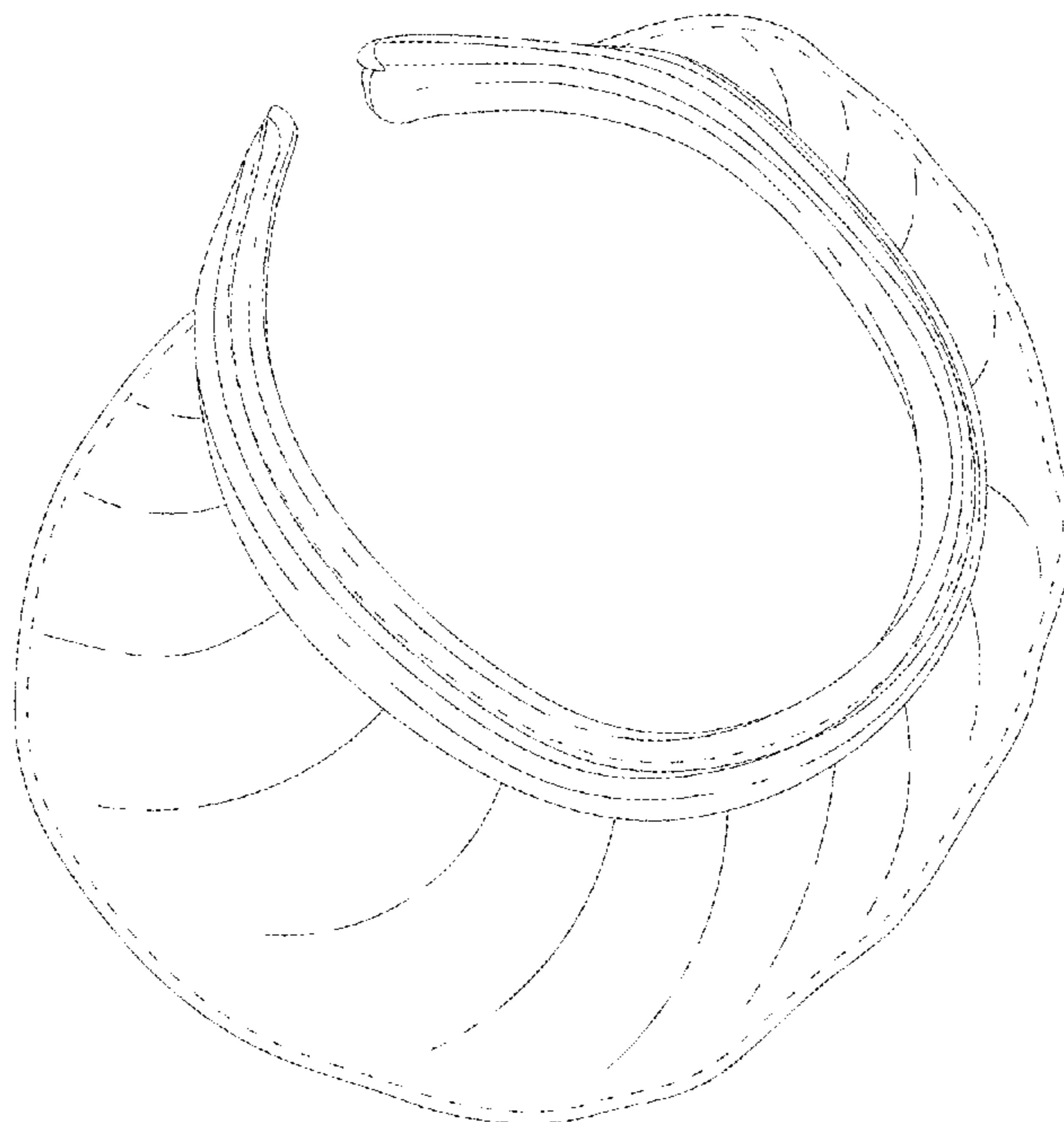
(57) **CLAIM**

The ornamental design for a shell shaped bonnet, as shown and described.

DESCRIPTION

FIG. 1 is a top perspective view of a shell shaped bonnet in an expanded configuration showing my new design; FIG. 2 is a front elevation view of the shell shaped bonnet; FIG. 3 is a rear elevation view thereof; FIG. 4 is a left side elevation view thereof; FIG. 5 is a right side elevation view thereof; FIG. 6 is a top plan view of the shell shaped bonnet portrayed in an expanded configuration; and, FIG. 7 is a bottom plan view thereof. The broken lines in the drawings depict stitching that form no part of the claimed design. The D-shaped broken lines in FIGS. 3, 5, and 6 depict environment and form no part of the claimed design.

1 Claim, 5 Drawing Sheets



(56)

References Cited

OTHER PUBLICATIONS

Sun Visors for Women—UPF 50+ Wide Brim Sun Beach Hat . . .
[online]; [review published to the internet on Jan. 10, 2022];
[retrieved from the internet on Jun. 13, 2022]; URL: see reference
below. (8 pages). (Year: 2022).*

URL: https://www.amazon.com/Sun-Visors-Women-Foldable-Visor/dp/B09WMRHZYT/ref=sr_1_4?qid=1654870857&refinements=p_4%3ATrifabrics&s=apparel&sr=1-4&th=1.*

Ritumo Clip On Sun Visors Foldable Sun Hats for Women with UV
Protection Wide Brim Summer Packable Shell Hat, Amazon.com,
Apr. 1, 2021, Ritumo, <https://www.amazon.com/dp/B091GS8597>
(Last accessed: Sep. 14, 2022).

* cited by examiner

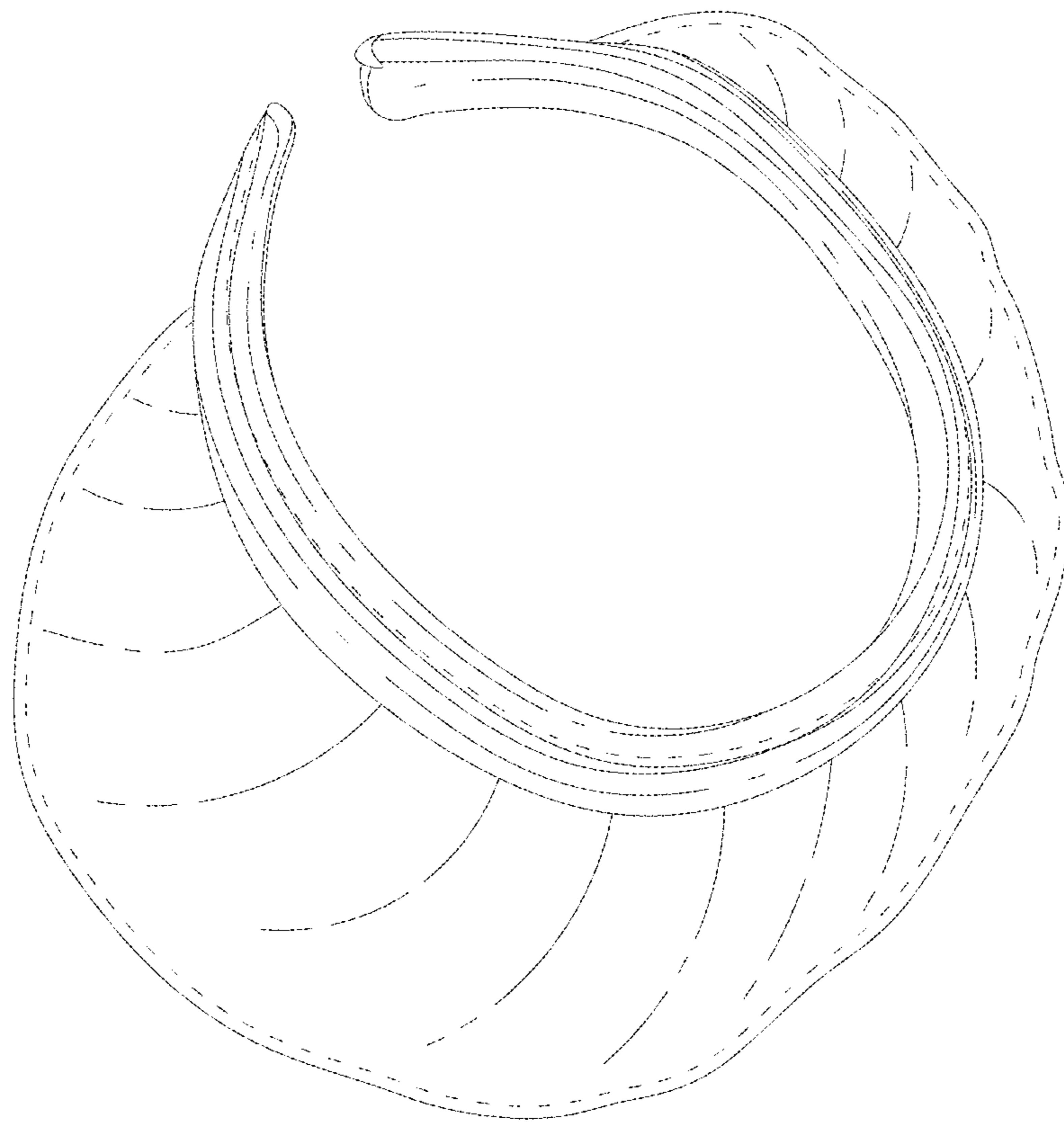


FIG. 1

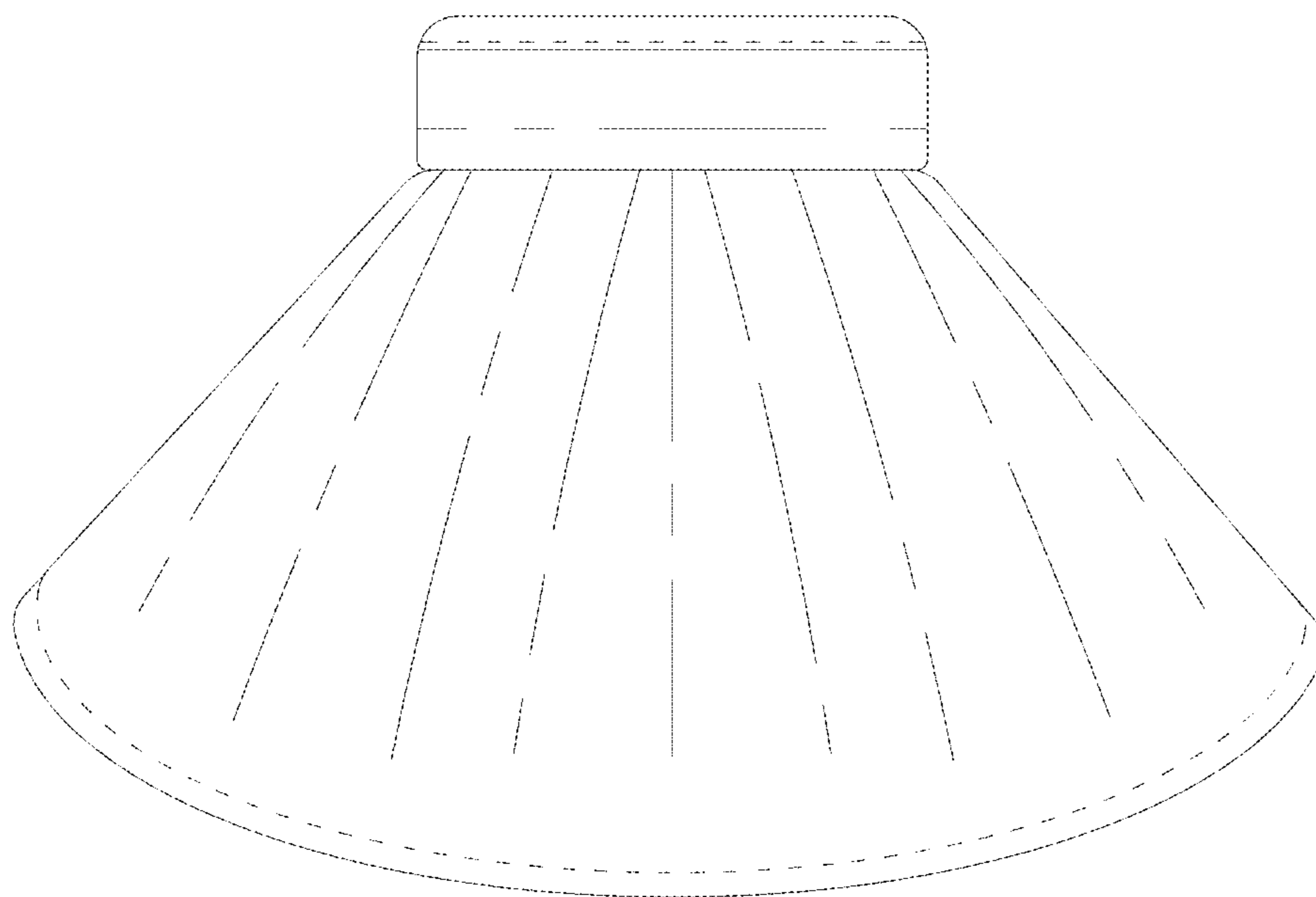


FIG. 2

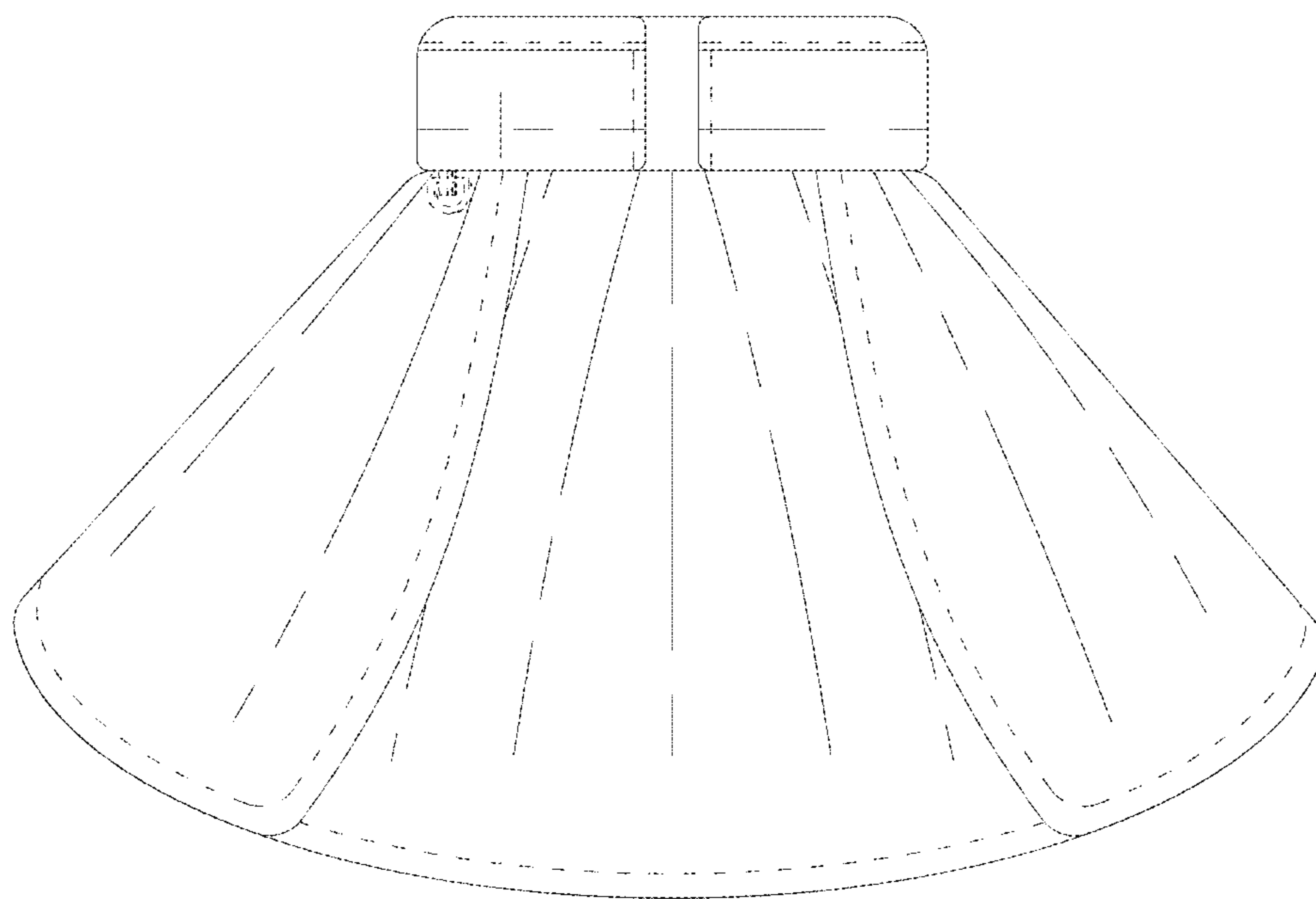


FIG. 3

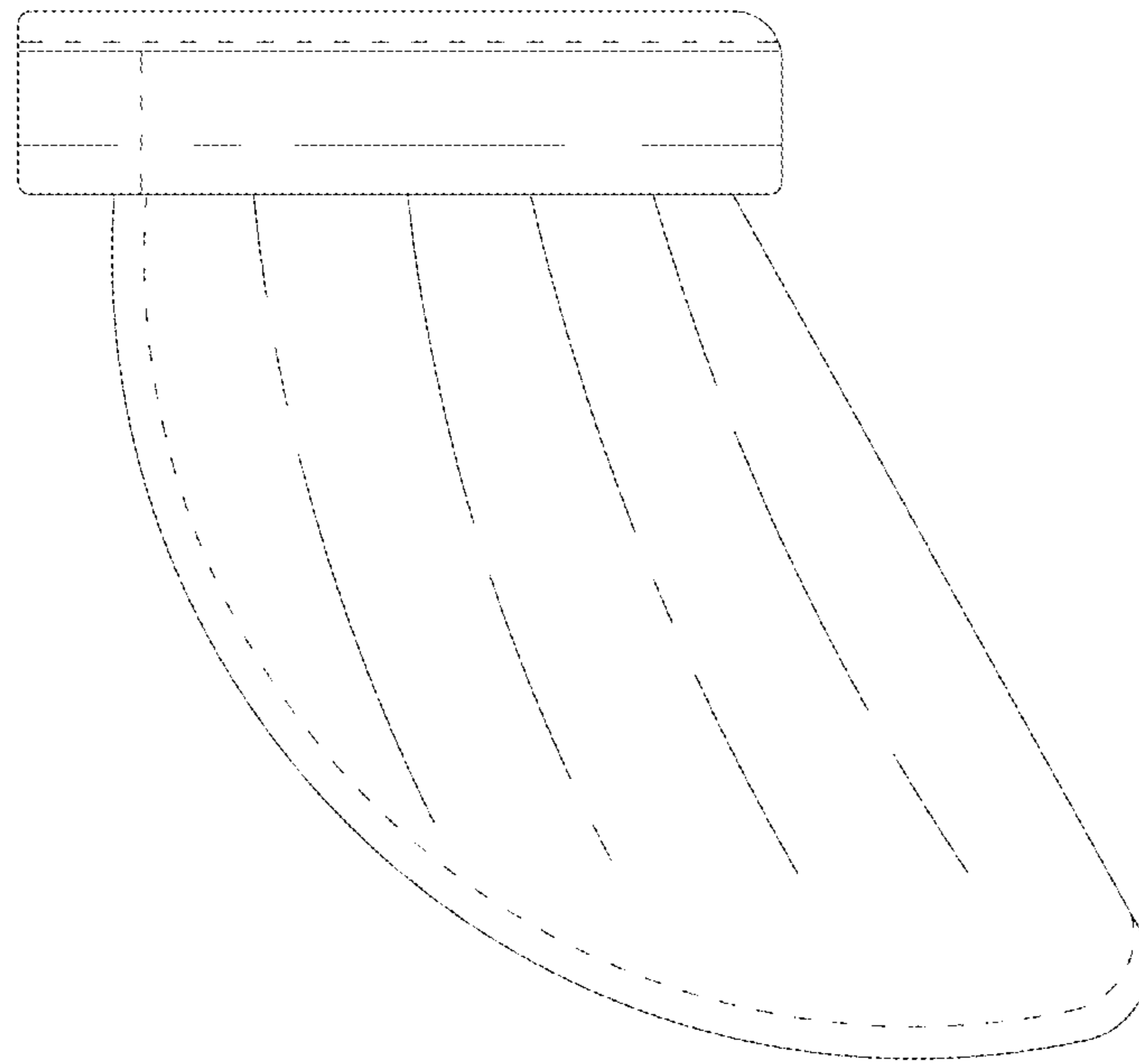


FIG. 4

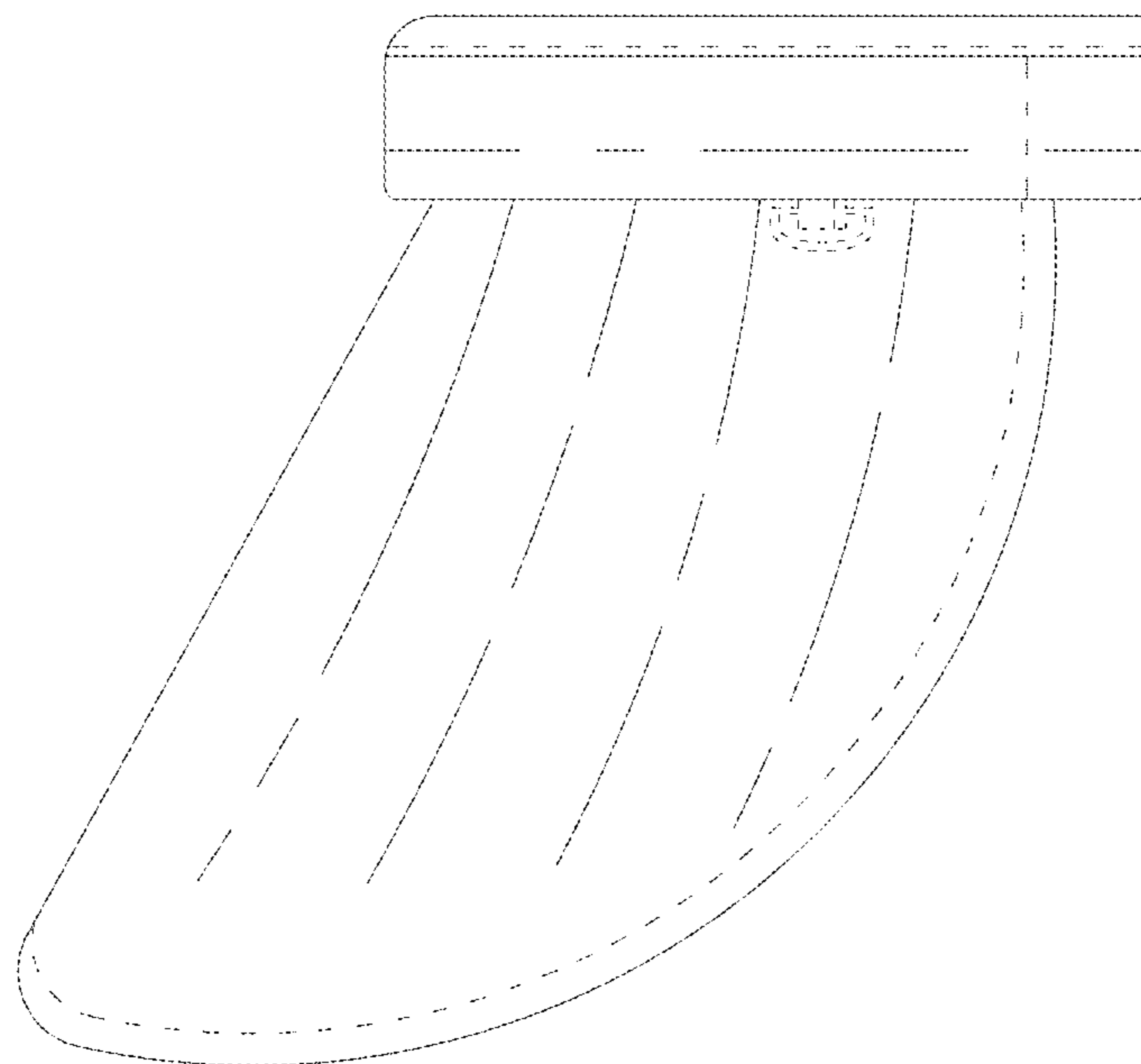


FIG. 5

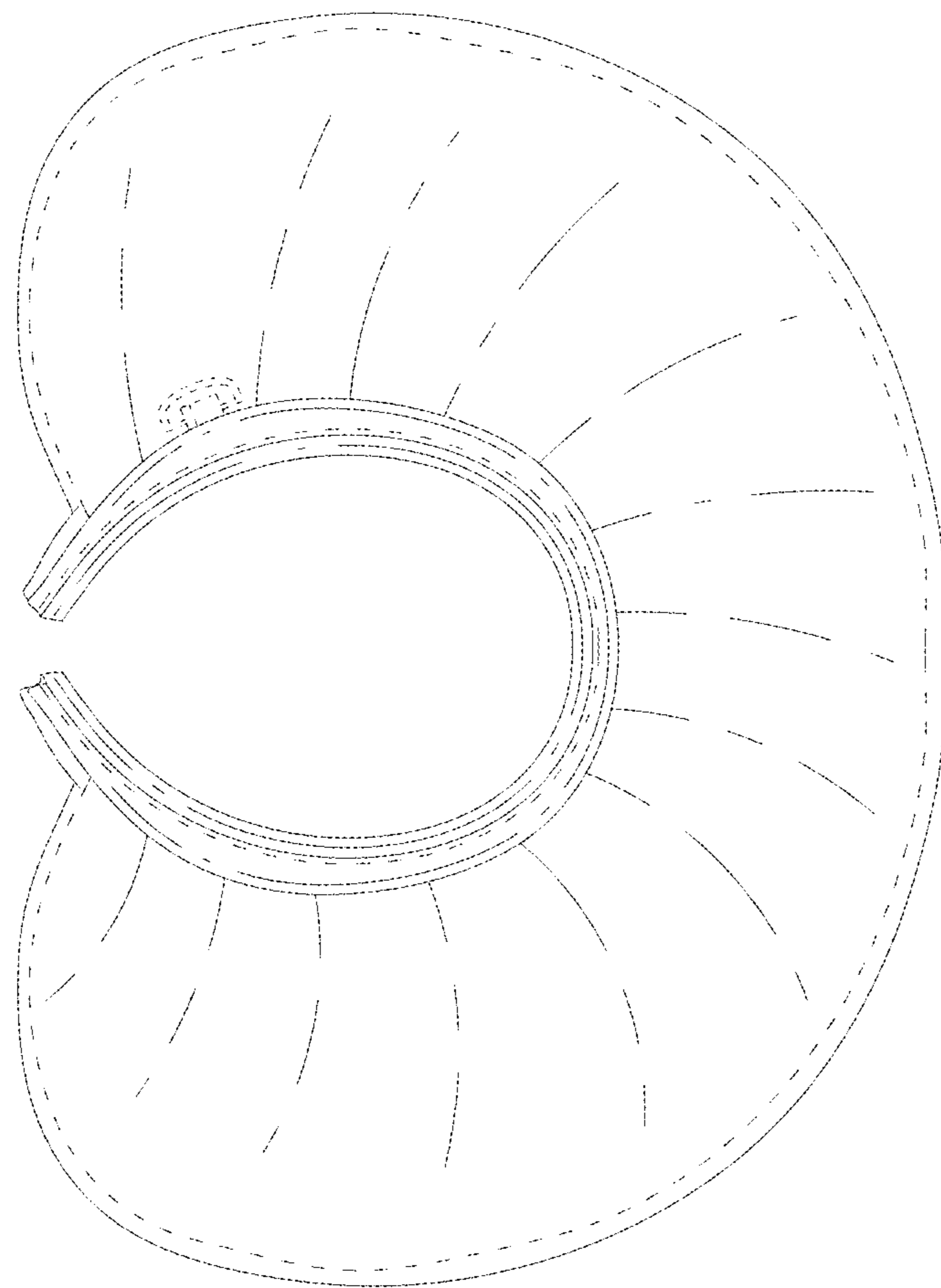


FIG. 6

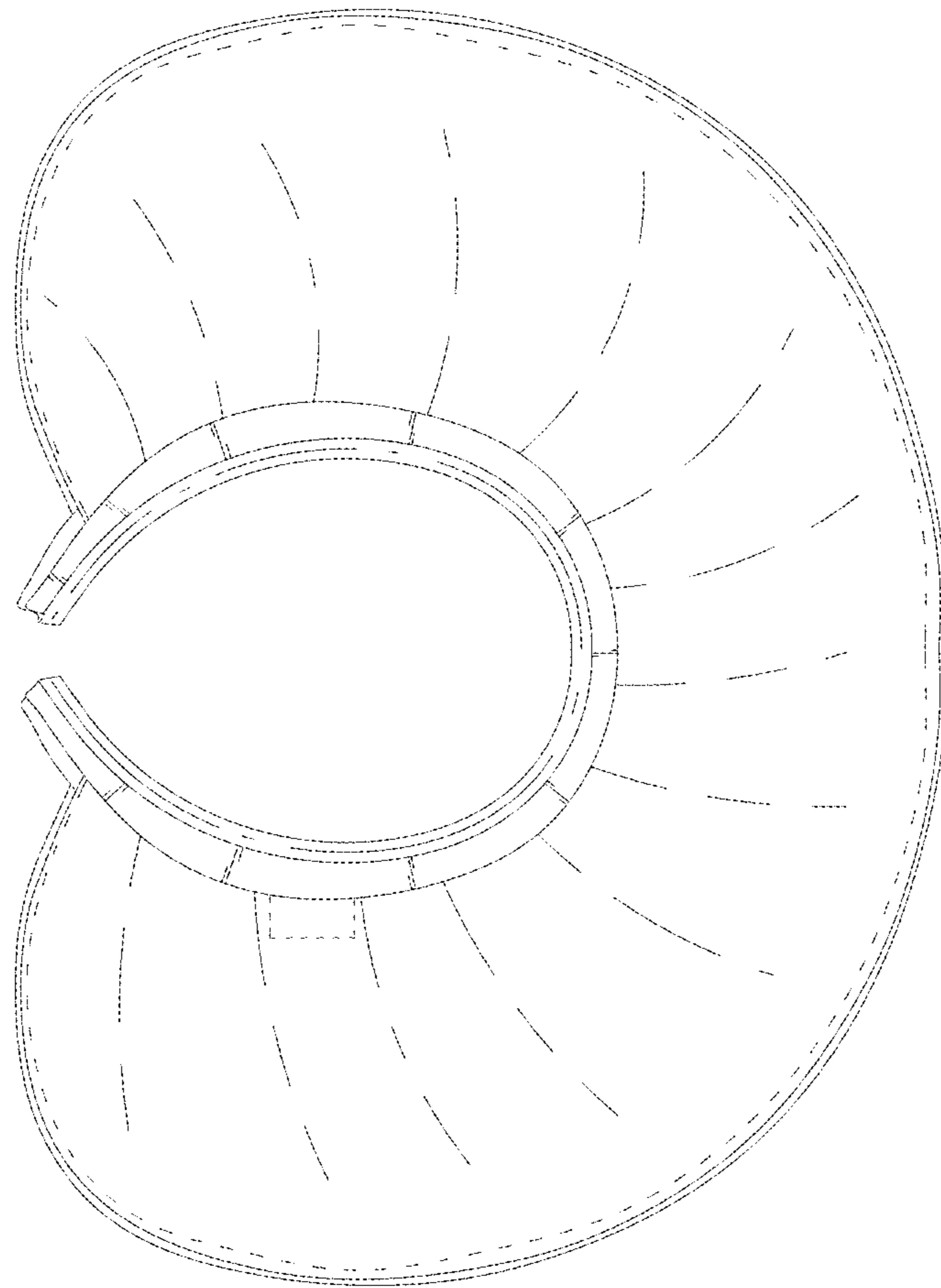


FIG. 7