



US00D981687S

(12) **United States Design Patent**
Guo

(10) **Patent No.:** **US D981,687 S**
(45) **Date of Patent:** **** Mar. 28, 2023**

- (54) **HEADBAND WITH LIGHT**
- (71) Applicant: **Guanghuo Guo**, Ganzhou (CN)
- (72) Inventor: **Guanghuo Guo**, Ganzhou (CN)
- (73) Assignee: **Guanghuo Guo**, Ganzhou (CN)
- (**) Term: **15 Years**
- (21) Appl. No.: **29/806,761**
- (22) Filed: **Sep. 7, 2021**
- (51) **LOC (14) Cl.** **02-03**
- (52) **U.S. Cl.**
USPC **D2/875**; D14/192
- (58) **Field of Classification Search**
USPC D2/865, 866, 867, 869, 871, 874, 875,
D2/877, 881, 883, 884, 891, 894;
D14/192; D26/39; D28/41
CPC .. A42B 1/00; A42B 1/006; A42B 1/04; A42B
1/041; A42B 1/045; A42B 1/08; A42B
1/22; A42B 1/241; A42B 1/245; A42B
3/00; A42C 5/02; H04R 1/02; H04R
1/105; A45D 8/40
See application file for complete search history.

- D961,196 S * 8/2022 Deng D2/875
- D961,889 S * 8/2022 Chen D2/875
- D964,959 S * 9/2022 Peng D14/192
- D965,551 S * 10/2022 Liu D14/192
- D965,552 S * 10/2022 Wang D14/192
- D967,793 S * 10/2022 Peng D14/172

OTHER PUBLICATIONS

SH-RuiDu Bluetooth Sports Headband Lightweight Wireless Headphones with LED . . . [online]; [date first available to the internet on Jul. 28, 2022]; [retrieved from the internet on Dec. 20, 2022]; URL: <https://www.amazon.com/SH-RuiDu-Bluetooth-Headband-Lightweight-Headphones/dp/B0B7WPWCJV>. (2 pages). (Year: 2022).*

* cited by examiner

Primary Examiner — Jasmine Mlinarcik
(74) *Attorney, Agent, or Firm* — Nitin Kaushik

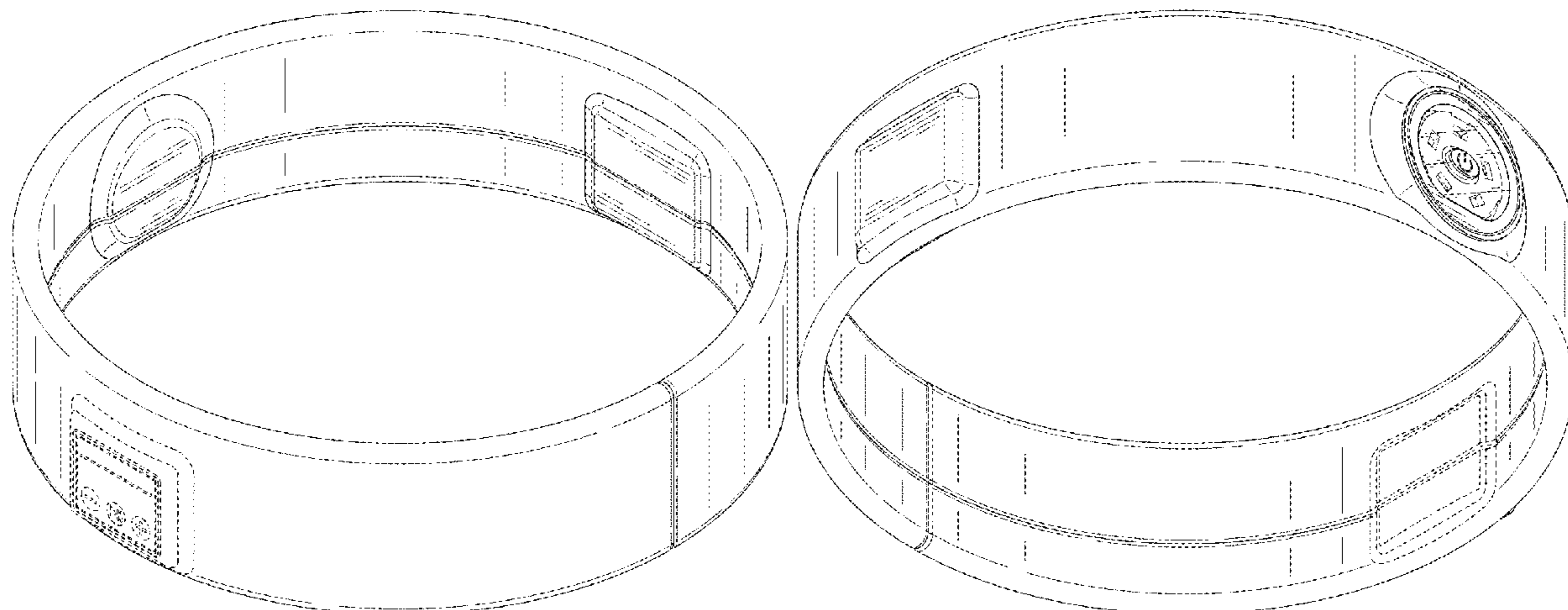
(57) **CLAIM**

The ornamental design for a headband with light, as shown and described.

DESCRIPTION

FIG. 1 is a perspective view of a headband with light; FIG. 2 is another perspective view thereof; FIG. 3 is a front elevational view thereof; FIG. 4 is a rear elevational view thereof; FIG. 5 is a left side elevational view thereof; FIG. 6 is a right side elevational view thereof; FIG. 7 is a top plan view thereof; and, FIG. 8 is a bottom plan view thereof. The broken lines in the drawings depict portions of the headband with light that form no part of the claimed design.

1 Claim, 8 Drawing Sheets



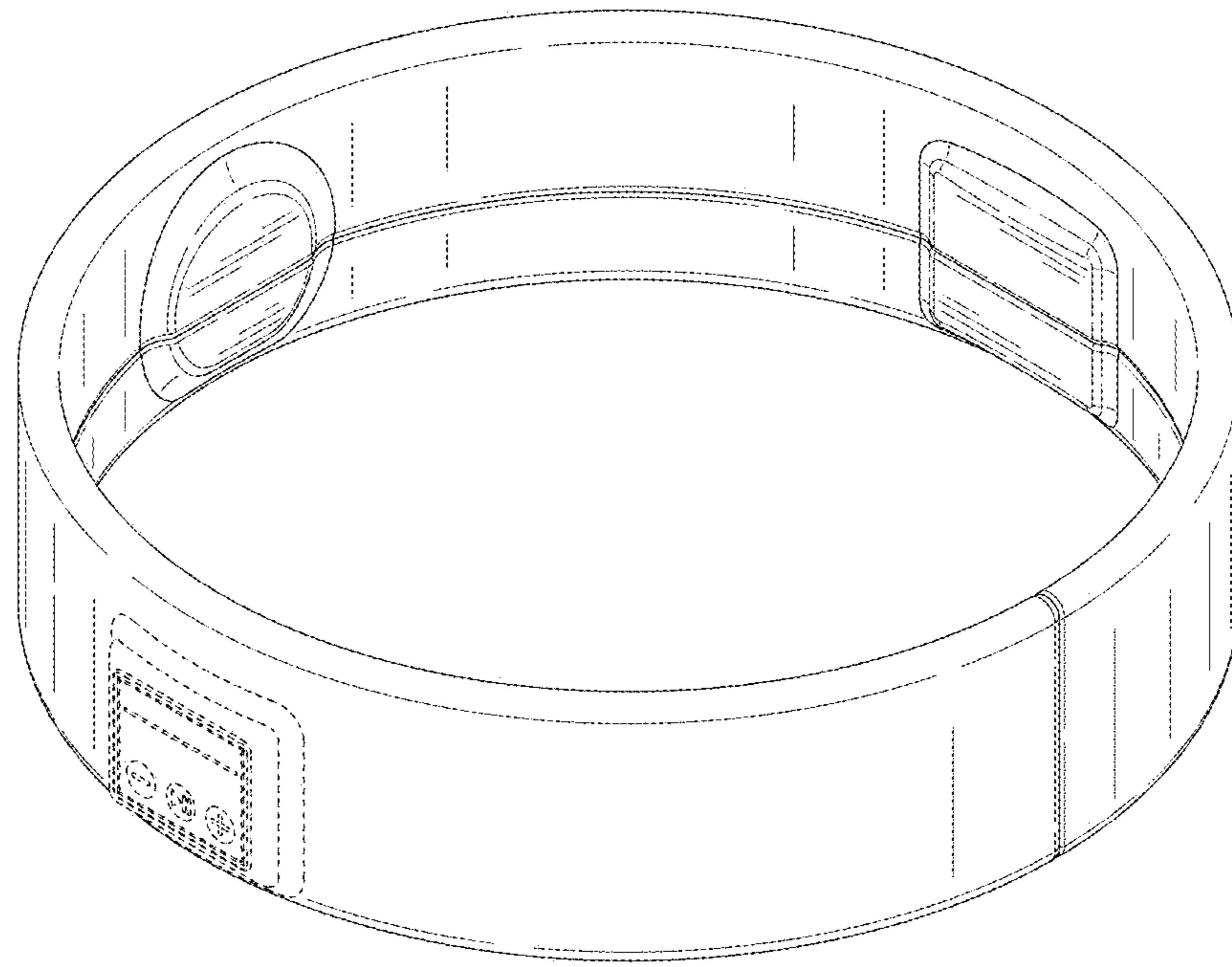


FIG. 1

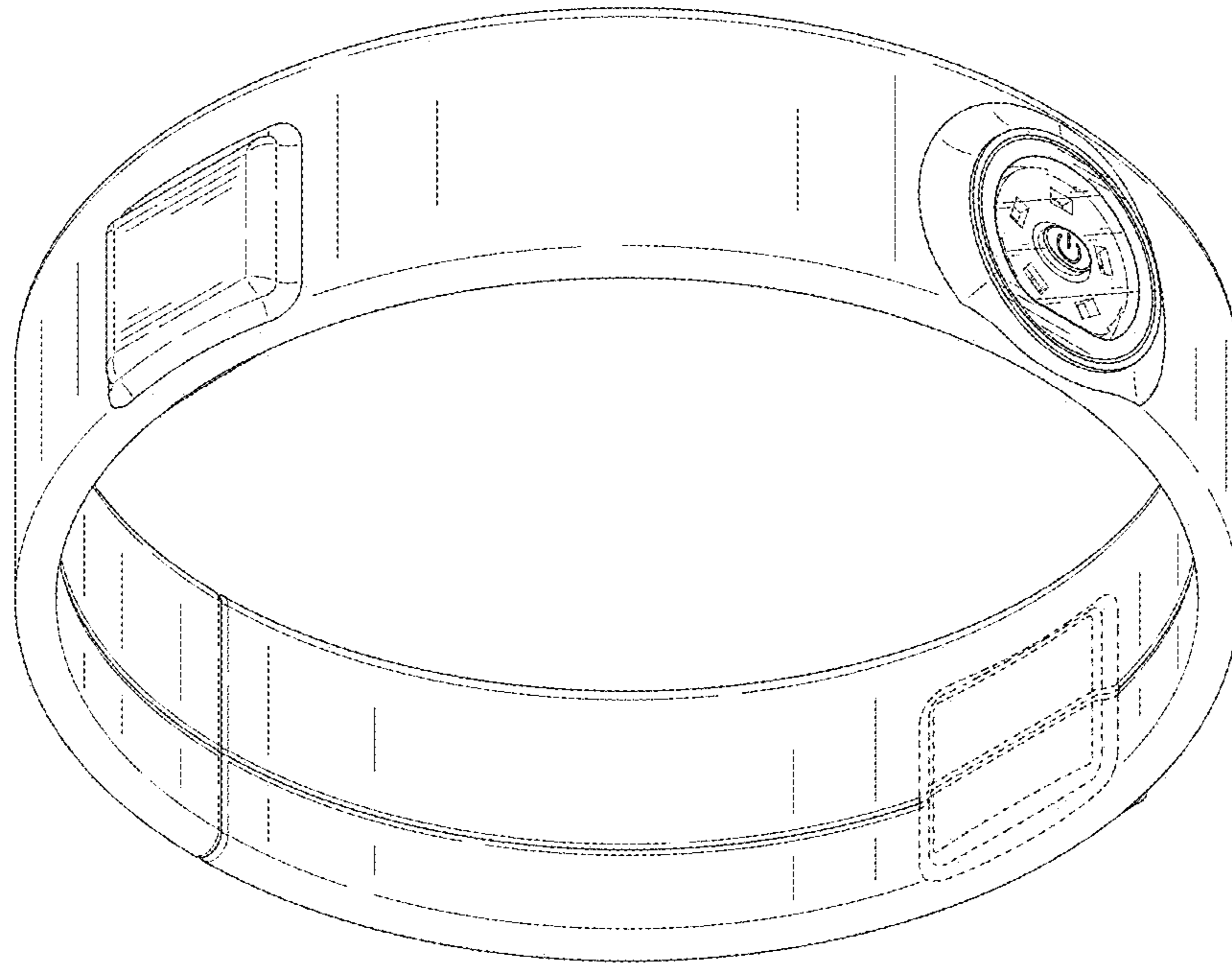


FIG. 2

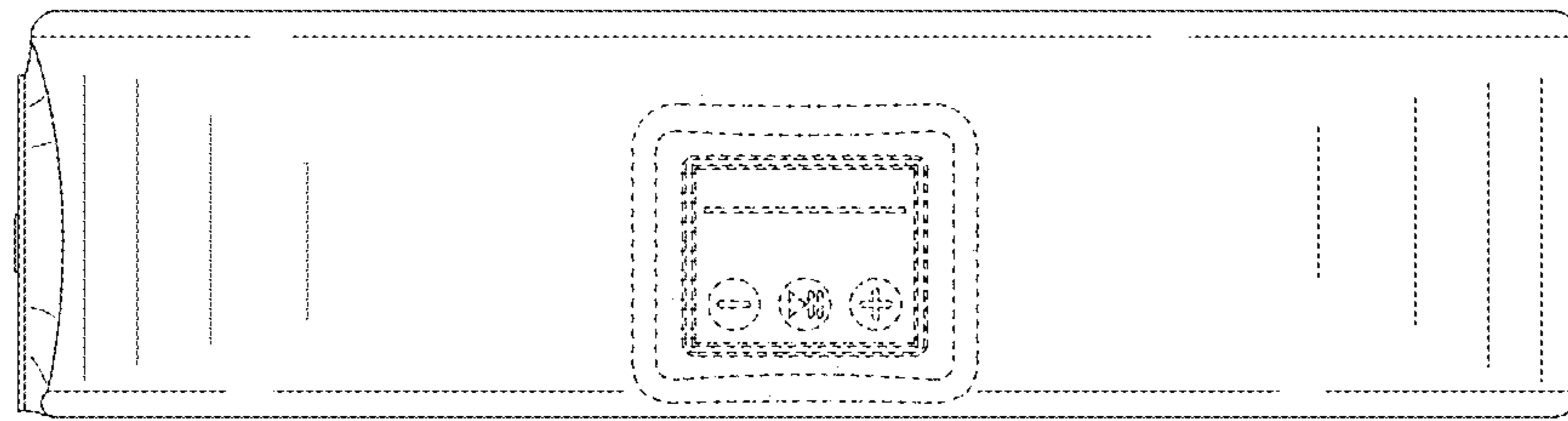


FIG. 3

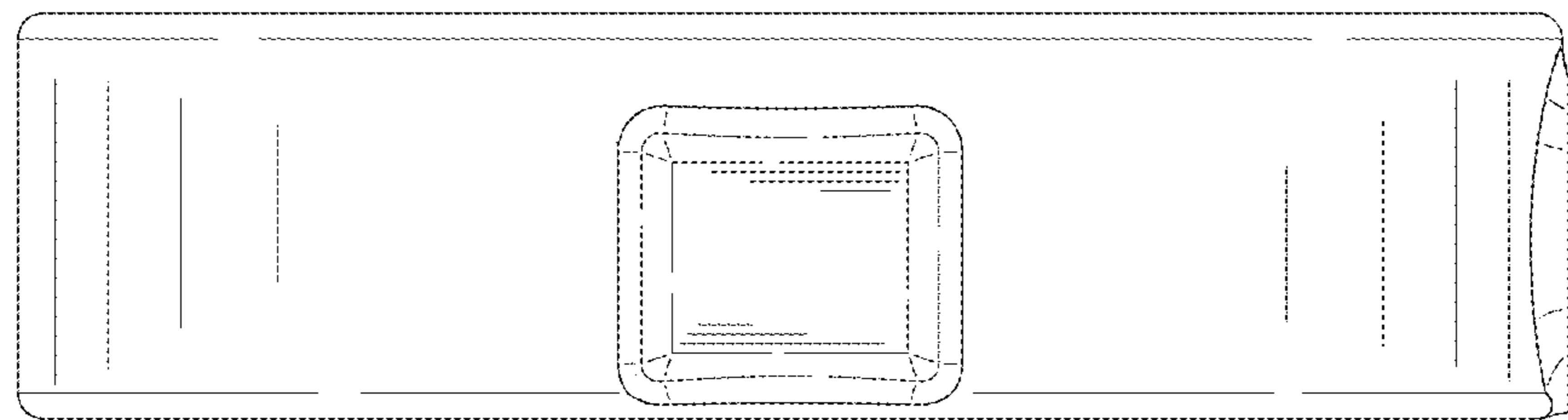


FIG. 4

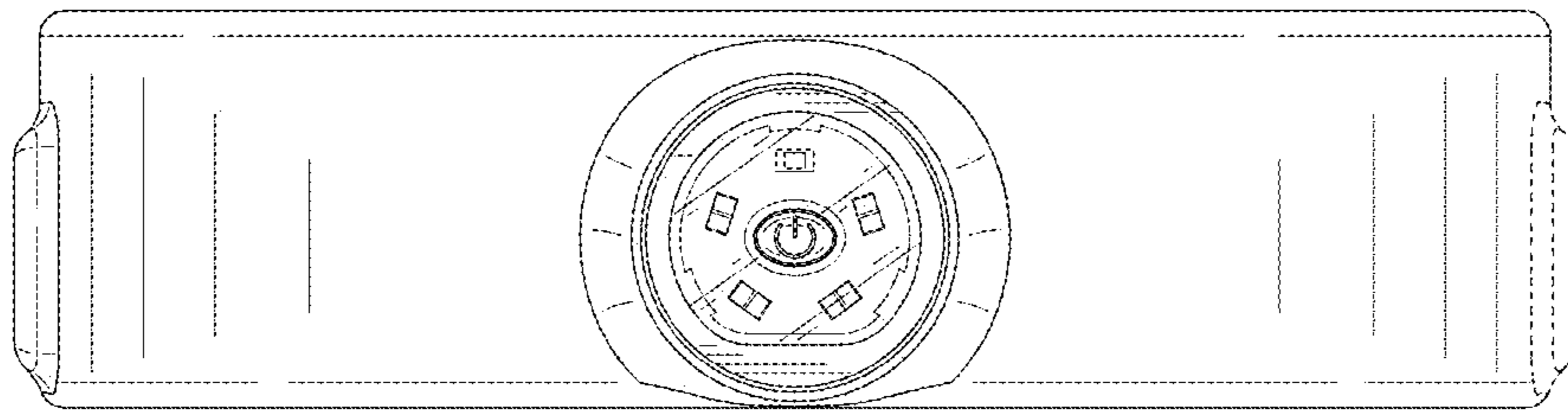


FIG. 5

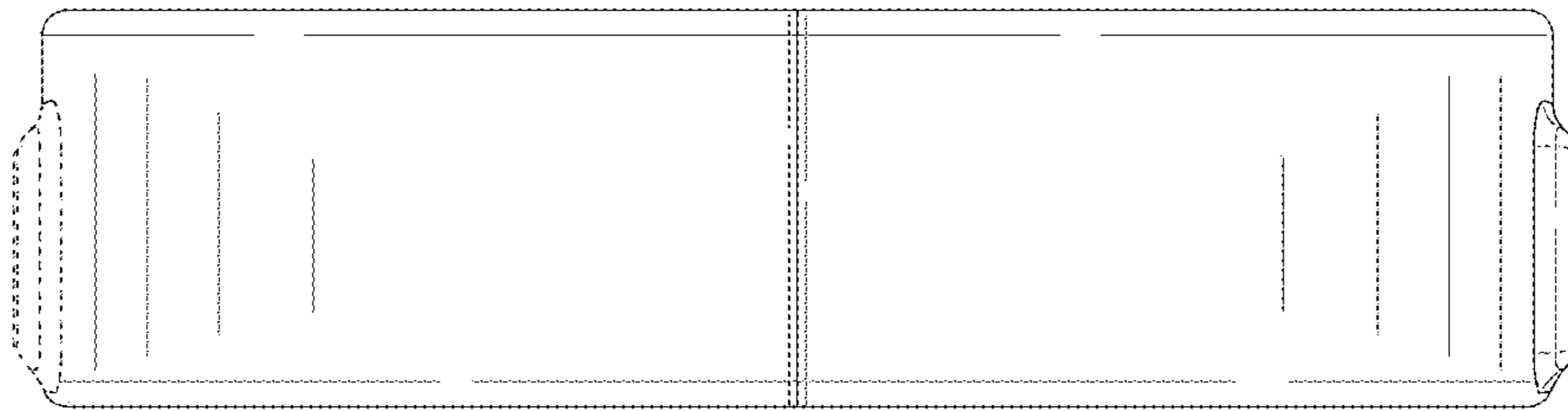


FIG. 6

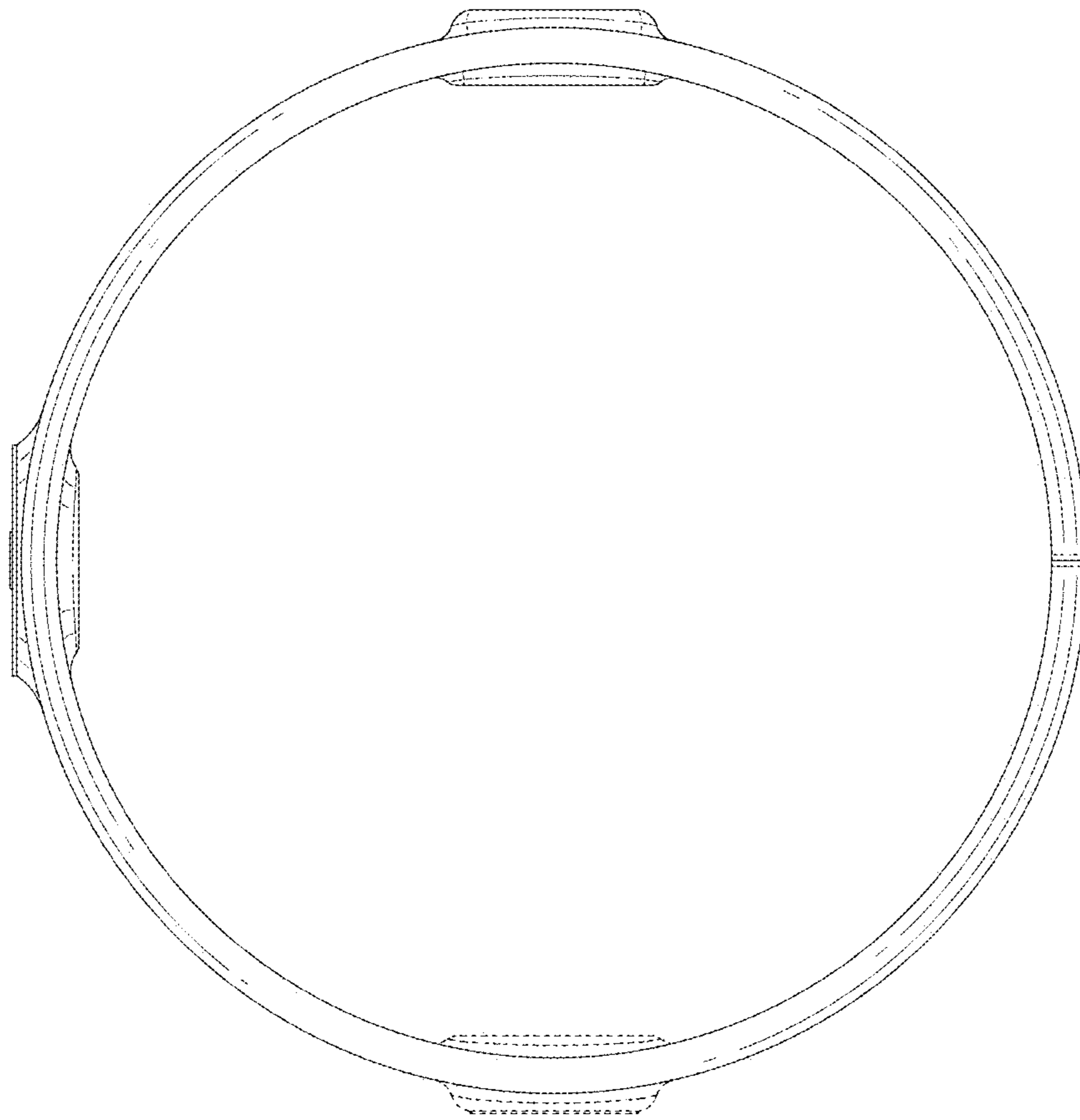


FIG. 7

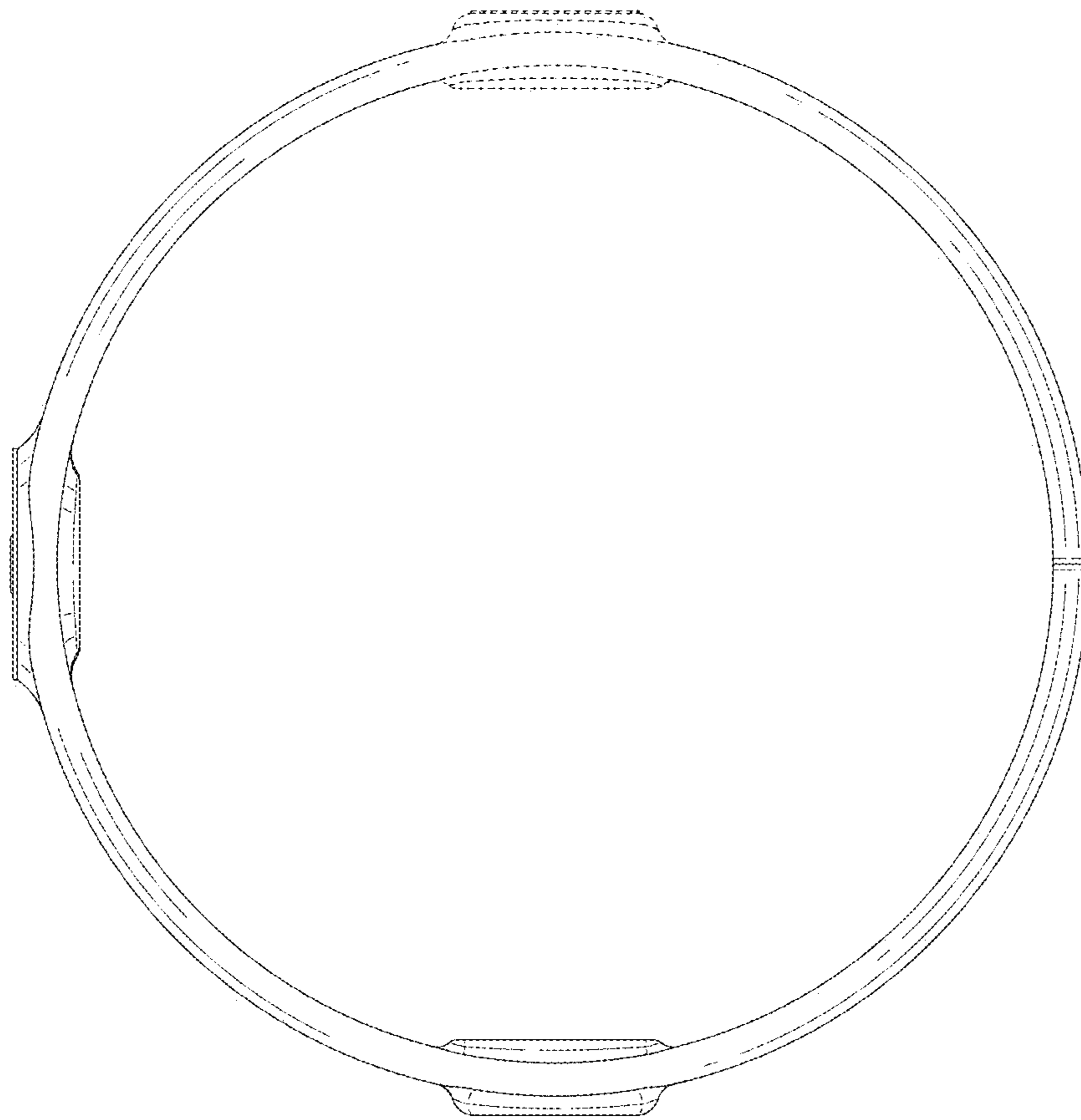


FIG. 8