



US00D981677S

(12) **United States Design Patent**
Wang

(10) **Patent No.:** **US D981,677 S**

(45) **Date of Patent:** **** Mar. 21, 2023**

(54) **CART HANDLE**

(71) Applicant: **Hangzhou Wanray Import & Export Co., Ltd.**, Hangzhou (CN)

(72) Inventor: **Xiaojun Wang**, Hangzhou (CN)

(**) Term: **15 Years**

(21) Appl. No.: **29/842,328**

(22) Filed: **Jun. 13, 2022**

(51) **LOC (14) Cl.** **12-02**

(52) **U.S. Cl.**

USPC **D34/27**

(58) **Field of Classification Search**

USPC D34/12, 14, 17, 20, 21, 27

CPC .. B62B 1/00; B62B 1/008; B62B 1/12; B62B 1/10; B62B 3/002; B62B 3/006; B62B 3/02; B62B 3/10; B62B 3/022; B62B 3/001;

(Continued)

(56) **References Cited**

U.S. PATENT DOCUMENTS

5,411,035 A * 5/1995 Stone A61H 3/04
128/845

D481,189 S * 10/2003 Van Landingham, Jr. D34/27

(Continued)

OTHER PUBLICATIONS

Globalindustrial.com Oct. 28, 2022, Rubbermaid tilt truck handle for rubbermaid tilt truck, https://www.globalindustrial.com/p/rubbermaid-tilt-truck-handle-for-rubbermaid-tilt-truck?infoParam_campaignId=T9F&gclid=EAIaIQobChMI46fAwlGD-wlVBr_ICh1tvQGyEAsYASABEgls3fD_BwE (Year: 2022).*

(Continued)

Primary Examiner — Cynthia Ramirez

(74) *Attorney, Agent, or Firm* — Rumit Ranjit Kanakia

(57) **CLAIM**

The ornamental design for a cart handle, as shown and described.

DESCRIPTION

FIG. 1 is a perspective view of a cart handle showing my new design;

FIG. 2 is another perspective view thereof;

FIG. 3 is a front elevational view thereof;

FIG. 4 is a rear elevational view thereof;

FIG. 5 is a left side view thereof;

FIG. 6 is a right side view thereof;

FIG. 7 is a top plan view thereof;

FIG. 8 is a bottom plan view thereof;

FIG. 9 is a partial enlarged view of FIG. 1;

FIG. 10 is a partial enlarged view of FIG. 1;

FIG. 11 is a partial enlarged view of FIG. 1;

FIG. 12 is a partial enlarged view of FIG. 1;

FIG. 13 is a partial enlarged view of FIG. 2;

FIG. 14 is a partial enlarged view of FIG. 2;

FIG. 15 is a partial enlarged view of FIG. 2;

FIG. 16 is a partial enlarged view of FIG. 2;

FIG. 17 is a partial enlarged view of FIG. 3;

FIG. 18 is a partial enlarged view of FIG. 3;

FIG. 19 is a partial enlarged view of FIG. 3;

FIG. 20 is a partial enlarged view of FIG. 4;

FIG. 21 is a partial enlarged view of FIG. 4;

FIG. 22 is a partial enlarged view of FIG. 4;

FIG. 23 is a partial enlarged view of FIG. 5;

FIG. 24 is a partial enlarged view of FIG. 5;

FIG. 25 is a partial enlarged view of FIG. 5;

FIG. 26 is a partial enlarged view of FIG. 6;

FIG. 27 is a partial enlarged view of FIG. 6;

FIG. 28 is a partial enlarged view of FIG. 6;

FIG. 29 is a partial enlarged view of FIG. 7;

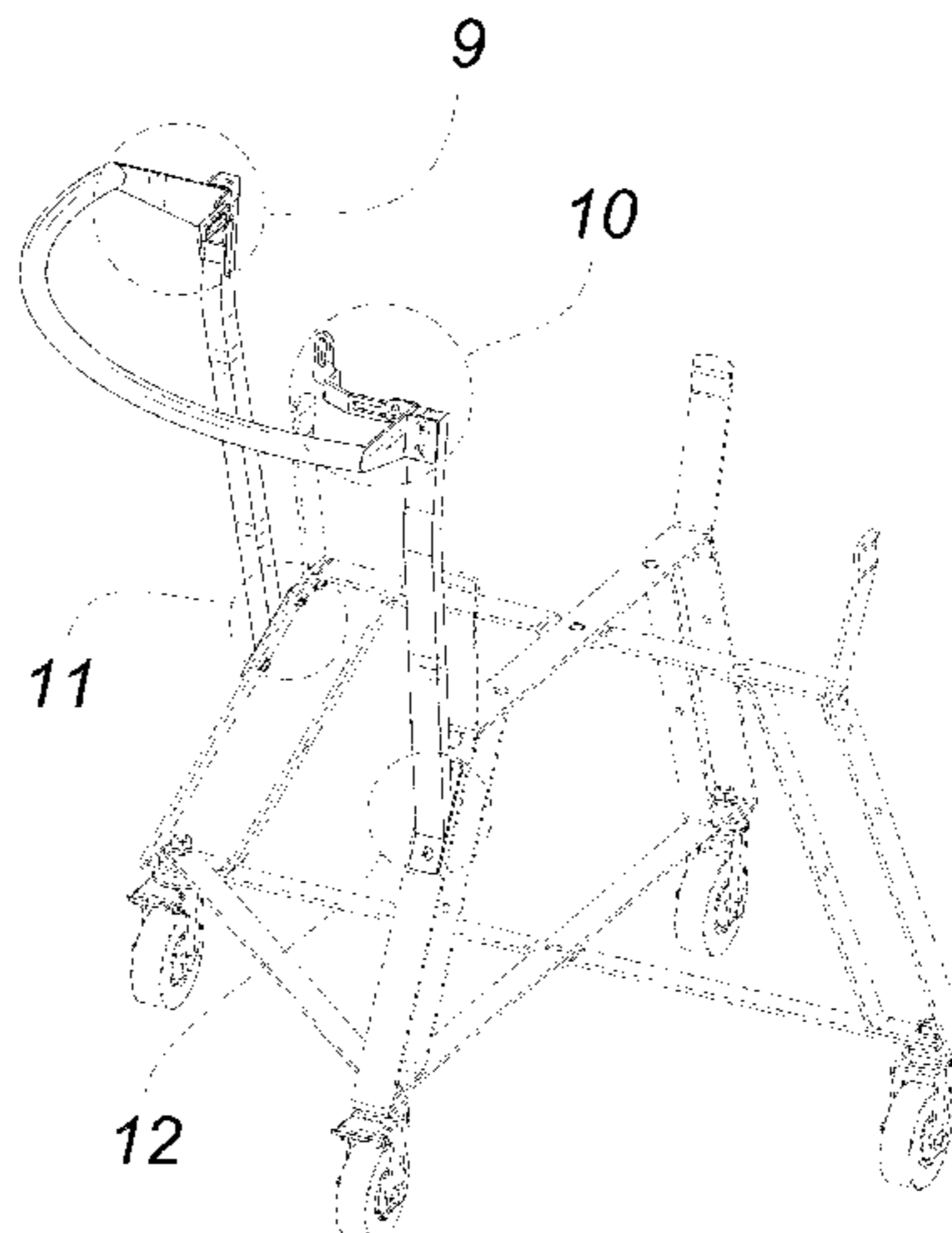
FIG. 30 is a partial enlarged view of FIG. 7;

FIG. 31 is a partial enlarged view of FIG. 8; and,

FIG. 32 is a partial enlarged view of FIG. 8.

The shorter broken lines in the figures show portions of the cart handle which form no part of the claimed design. The longer broken lines in the figures shown enlarged areas in the figures.

1 Claim, 19 Drawing Sheets



(58) **Field of Classification Search**
CPC B62B 3/067; B62B 3/005; B62B 2205/02;
B62B 2205/20; B62B 2205/26; B62B
2205/33

See application file for complete search history.

(56) **References Cited**

U.S. PATENT DOCUMENTS

D482,836 S * 11/2003 Van Landingham, Jr. D34/27
D511,874 S 11/2005 Brown
D520,209 S 5/2006 Duchene
D526,107 S 8/2006 Duchene
D539,000 S 3/2007 Perrier
D591,474 S 4/2009 Peota
D670,061 S 10/2012 Sonnendorfer
D670,063 S 10/2012 Sonnendorfer
D937,527 S 11/2021 Irwin
D960,374 S * 8/2022 Tanimoto D34/27
2017/0327140 A1* 11/2017 Liao B62B 3/025
2019/0320812 A1* 10/2019 Zhong A47D 15/006

2021/0053600 A1* 2/2021 Wang B62B 5/0023
2021/0053606 A1* 2/2021 Fan B62B 7/04
2021/0061332 A1* 3/2021 Sturgeon B62B 3/007

OTHER PUBLICATIONS

Amazon.com Oct. 28, 2022, colcolo folding push handle adjustable
lightweight swivel utility for wagon cart, <https://www.amazon.com/Colcolo-Folding-Adjustable-Lightweight-Shopping/dp/B0BBC2BL89/> (Year: 2022).*

wholesaleutilitycarts.com Oct. 28, 2022, 24" crossbar handle for
Rubbermaid platform truck, <https://www.wholesaleutilitycarts.com/24-crossbar-handle-for-rubbermaid-platform-truck-440312red> (Year: 2022).*

Globalindustrial.com Oct. 24, 2022, global industrial removable 24"
w handle for steel bound wood deck, https://www.globalindustrial.com/p/steel-bound-wood-platform-truck-handle-24?infoParam.campaignId=T9F&gclid=EAIaIqobChM1xO__h4WD-wlVB4vlCh3yuQInEAsYBiABEGKrmfD_BwE (Year: 2022).*

* cited by examiner

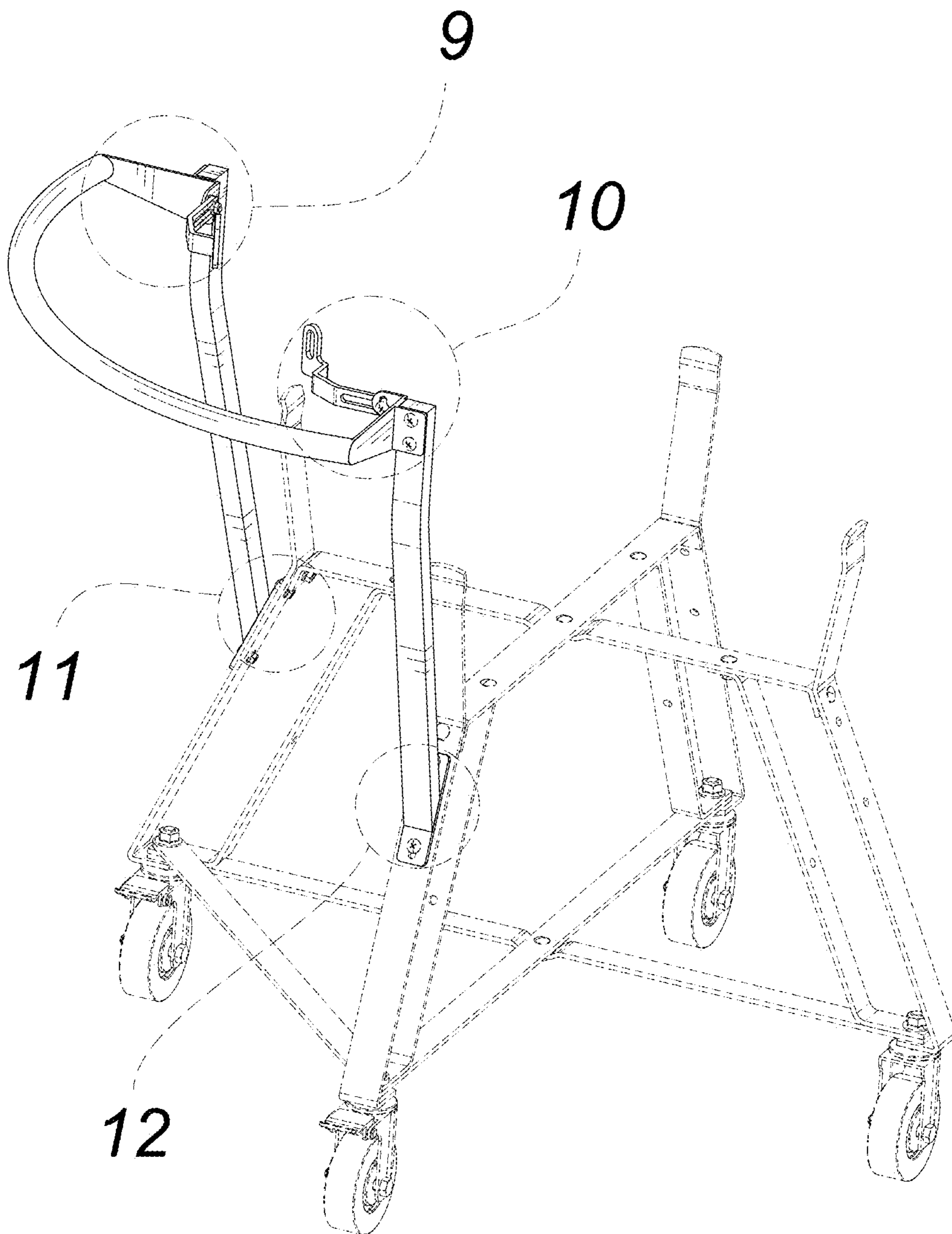


FIG. 1

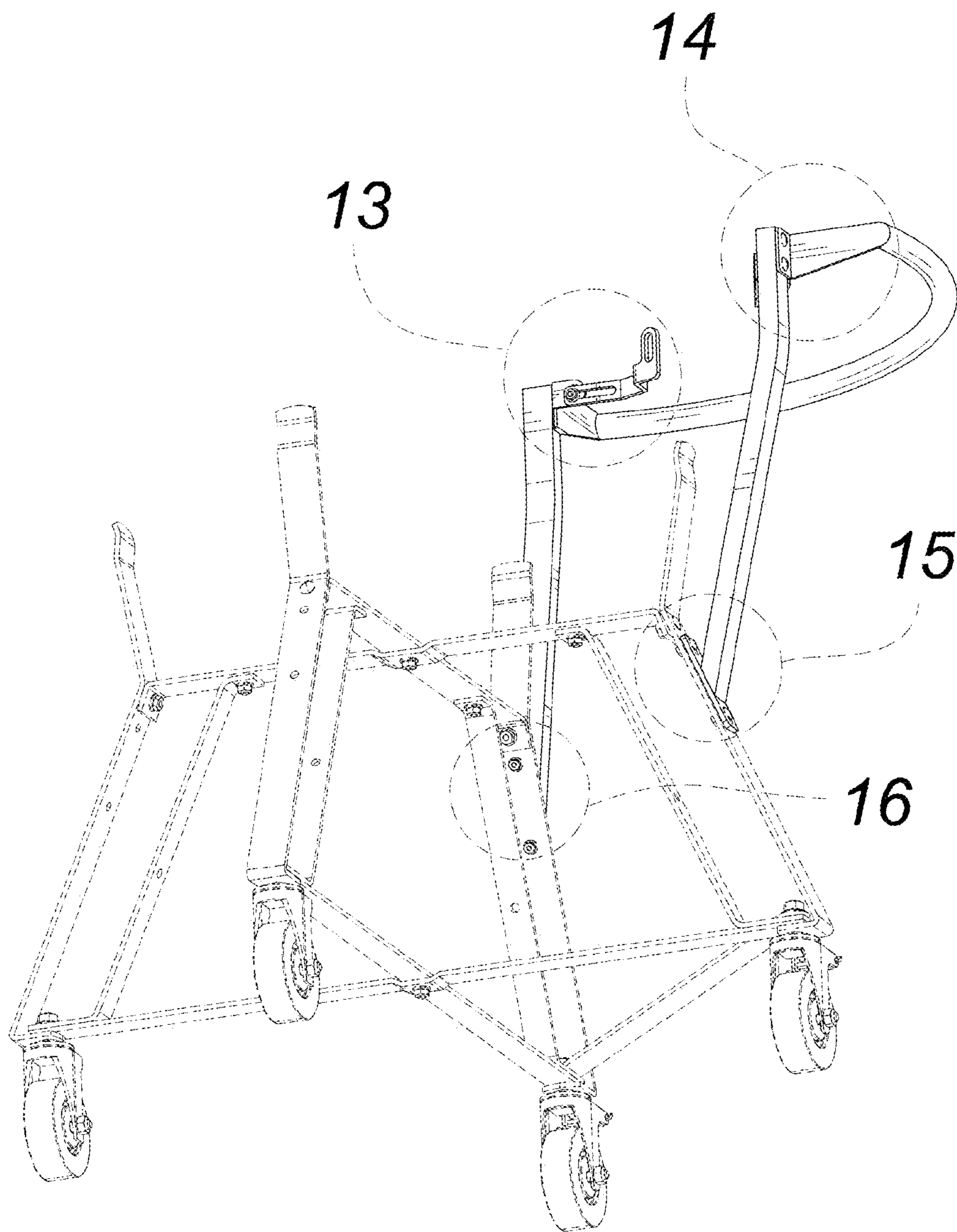


FIG. 2

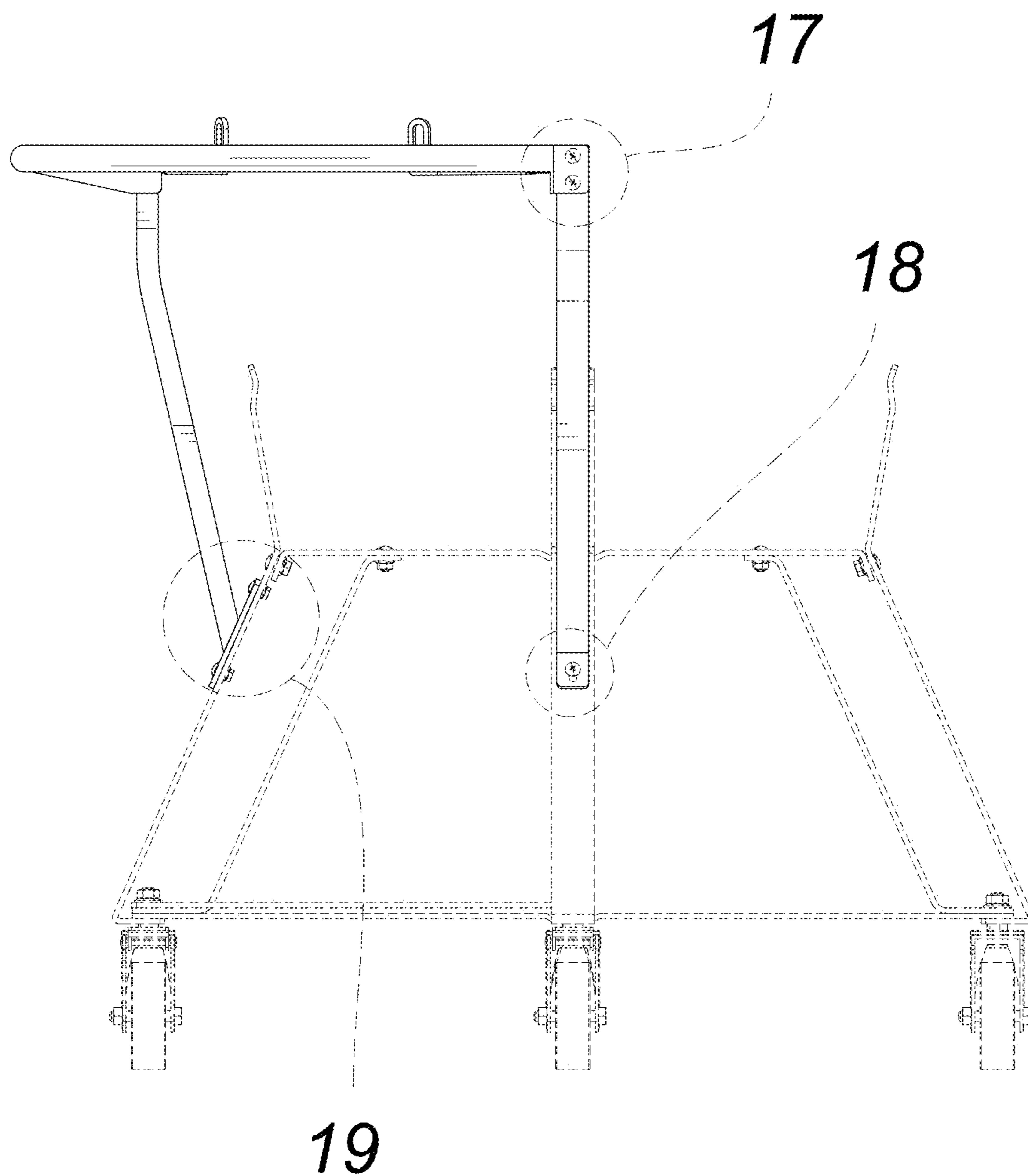


FIG. 3

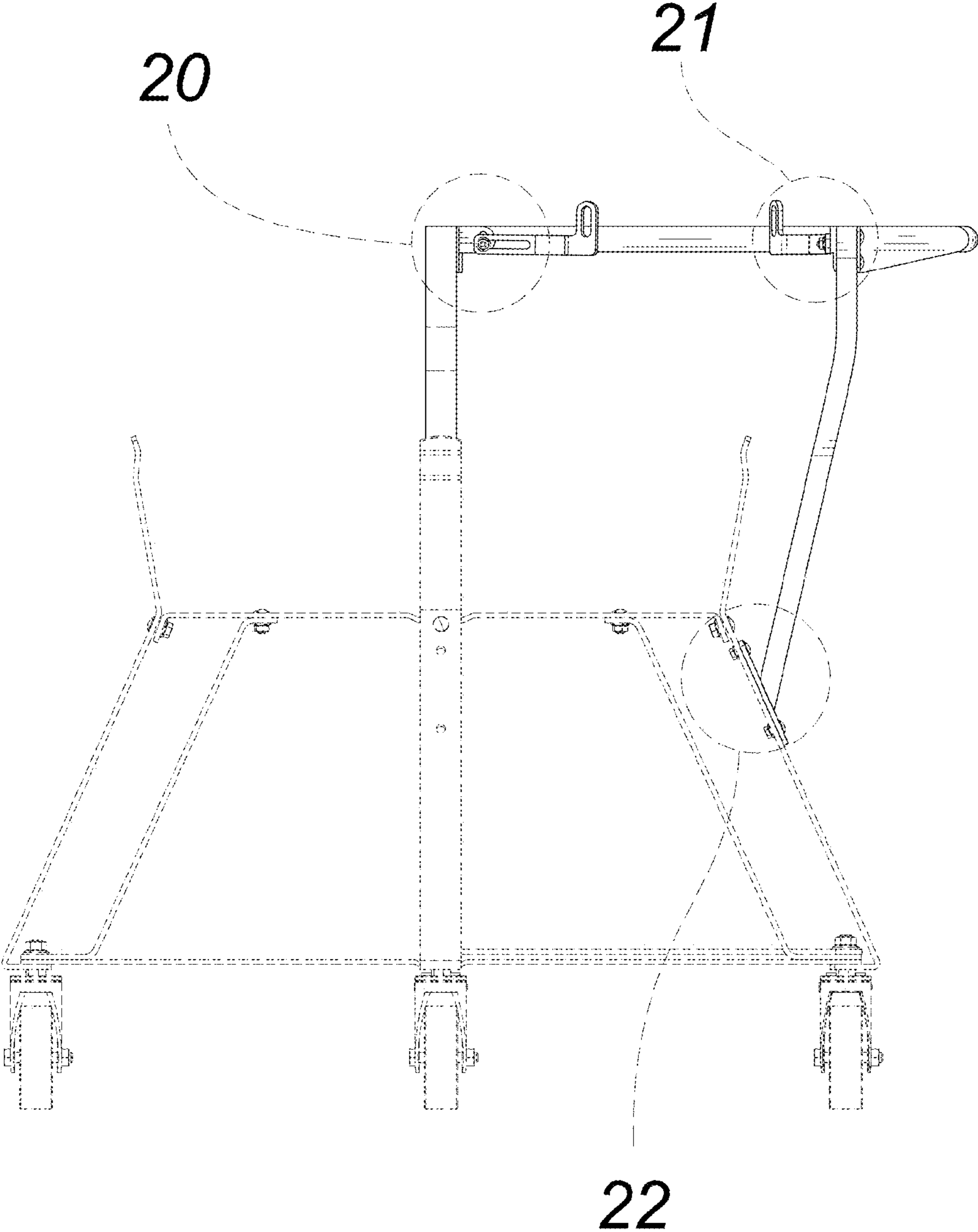


FIG. 4

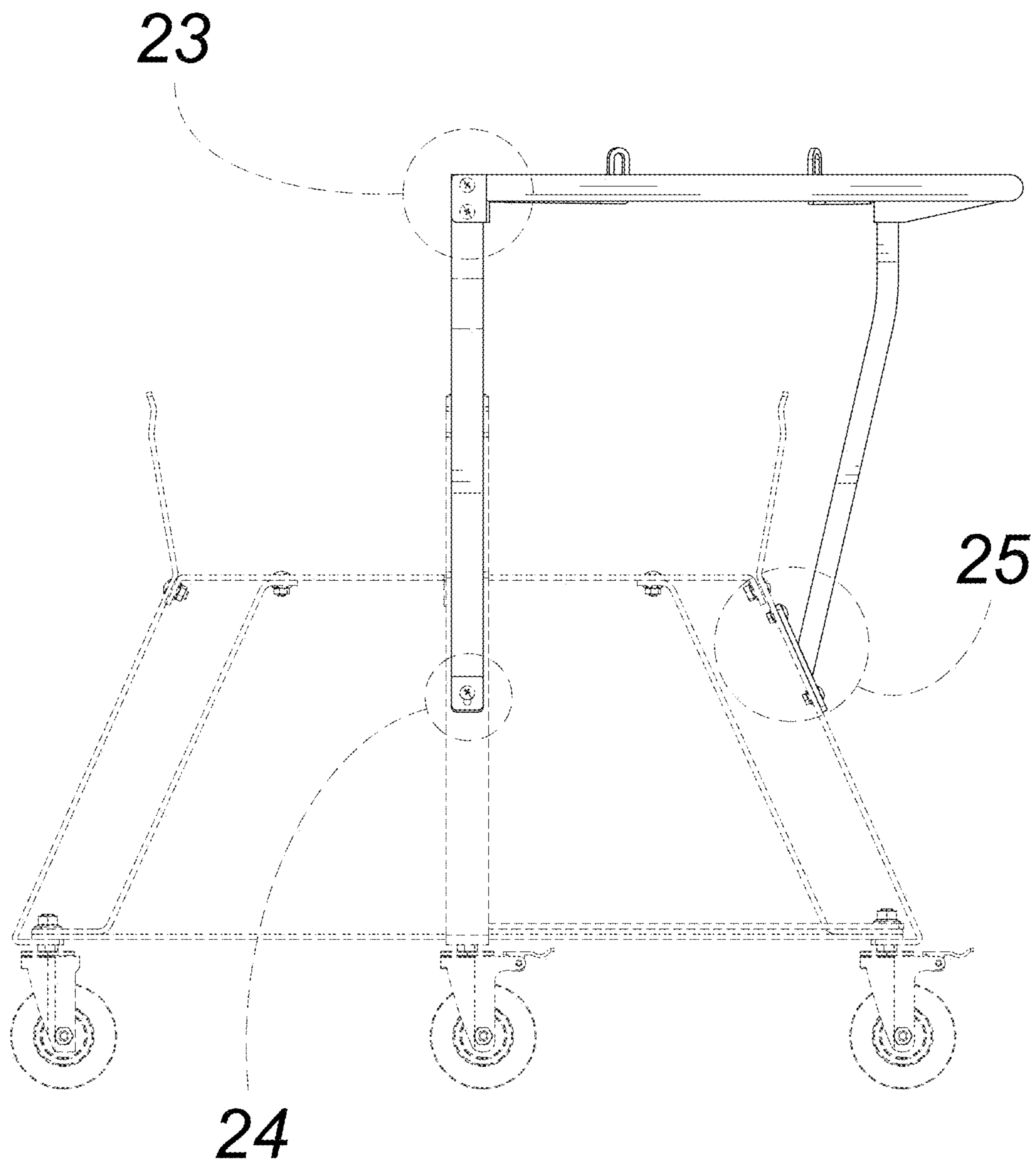


FIG. 5

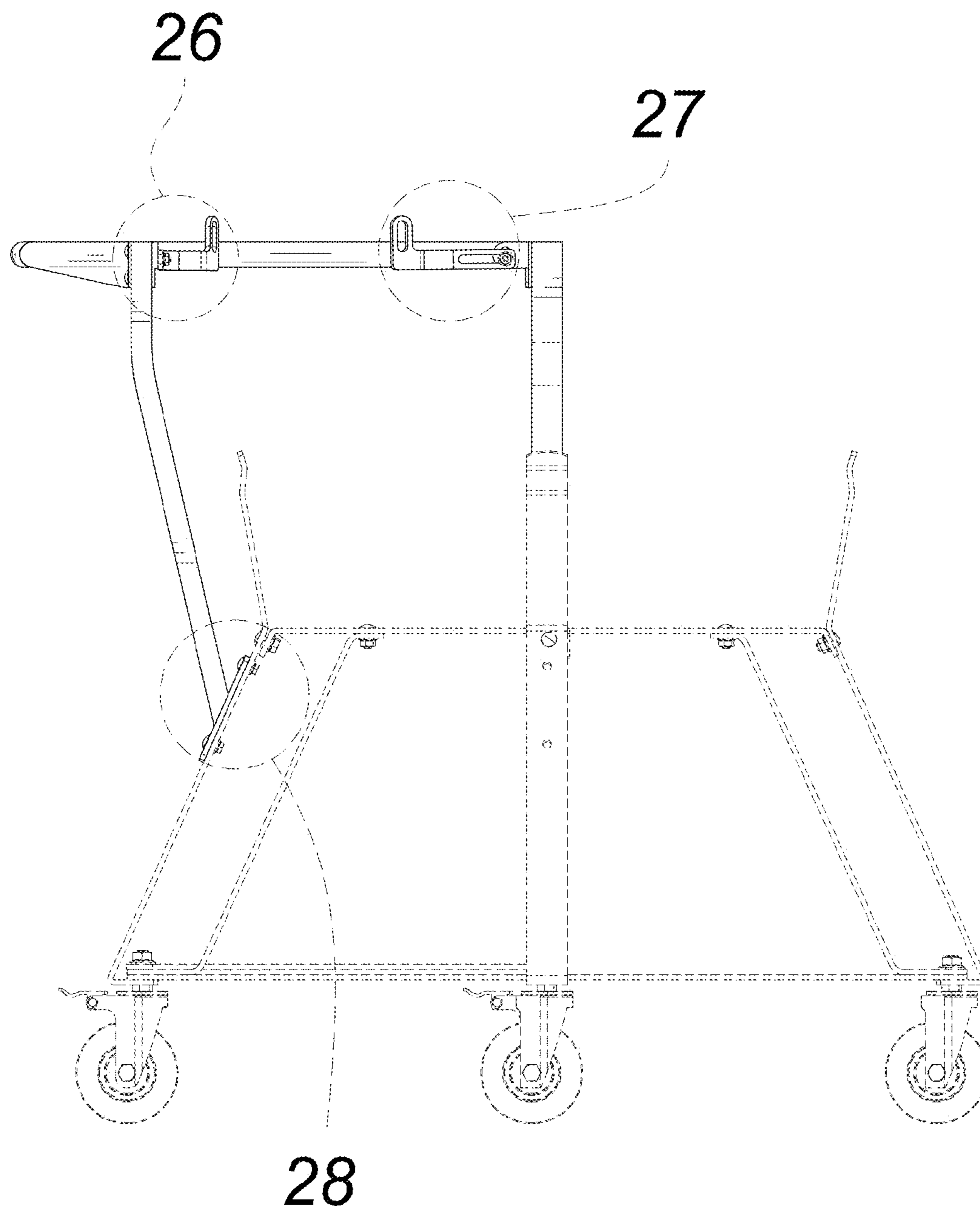


FIG. 6

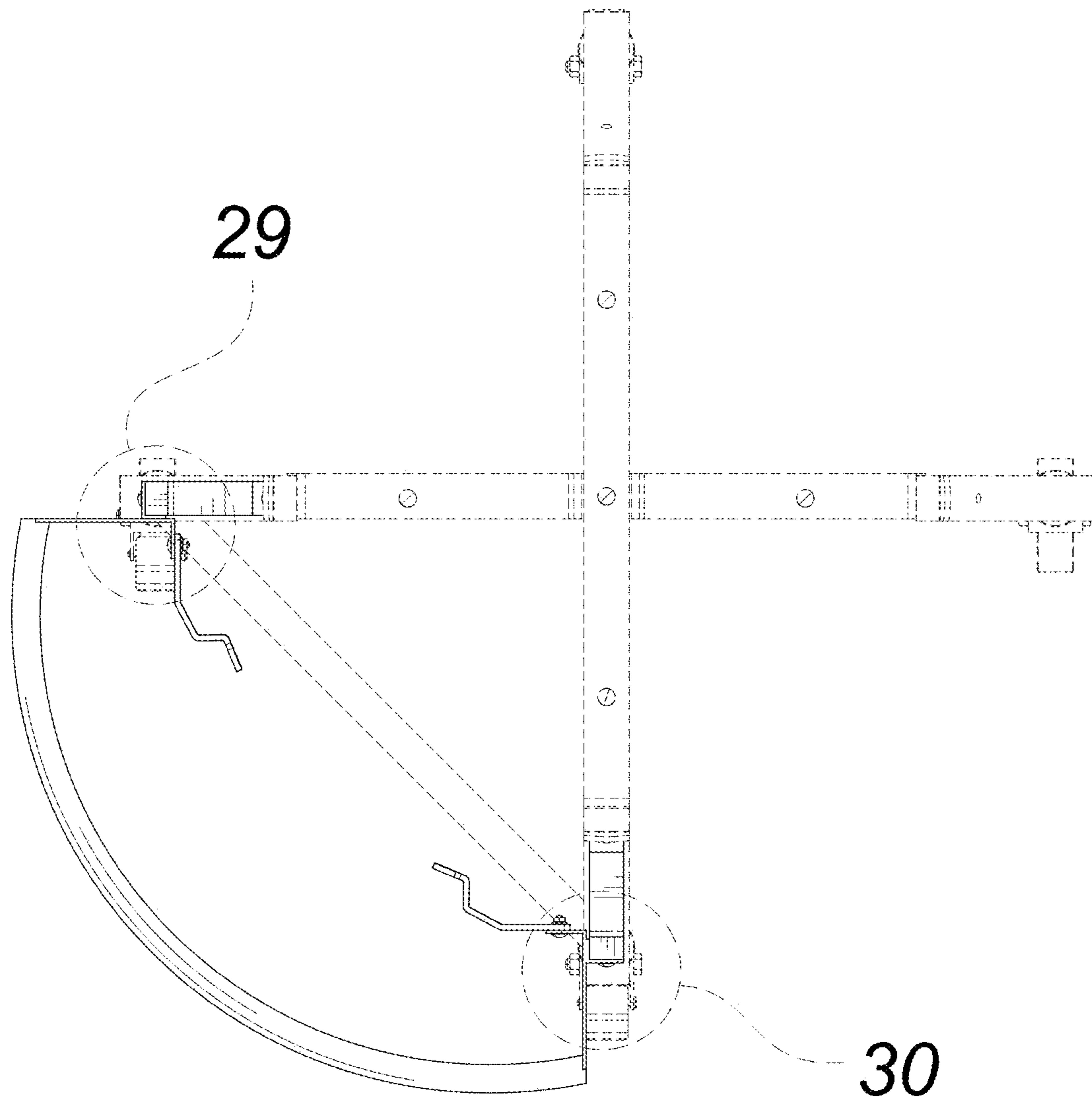


FIG. 7

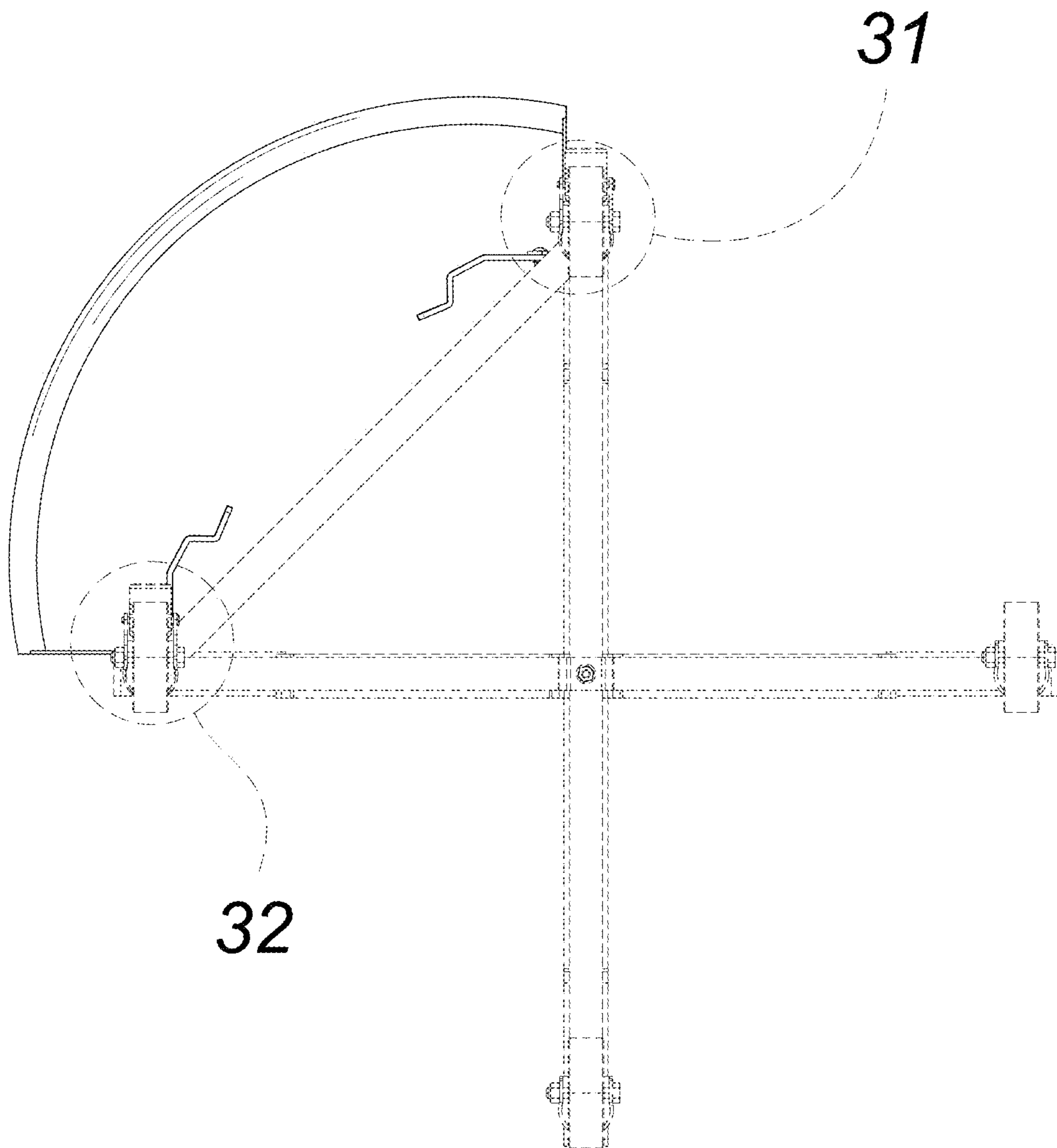


FIG. 8

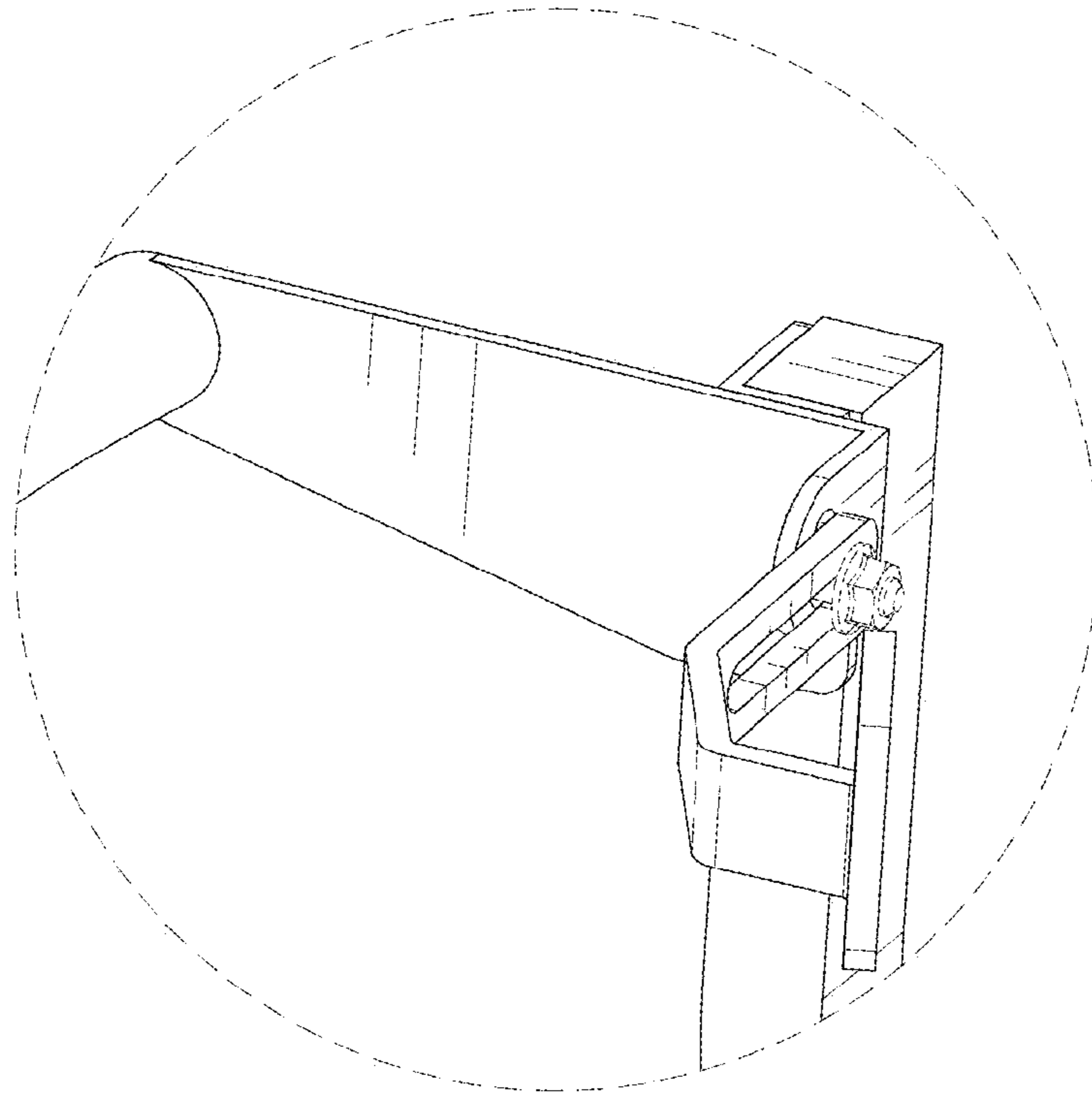


FIG. 9

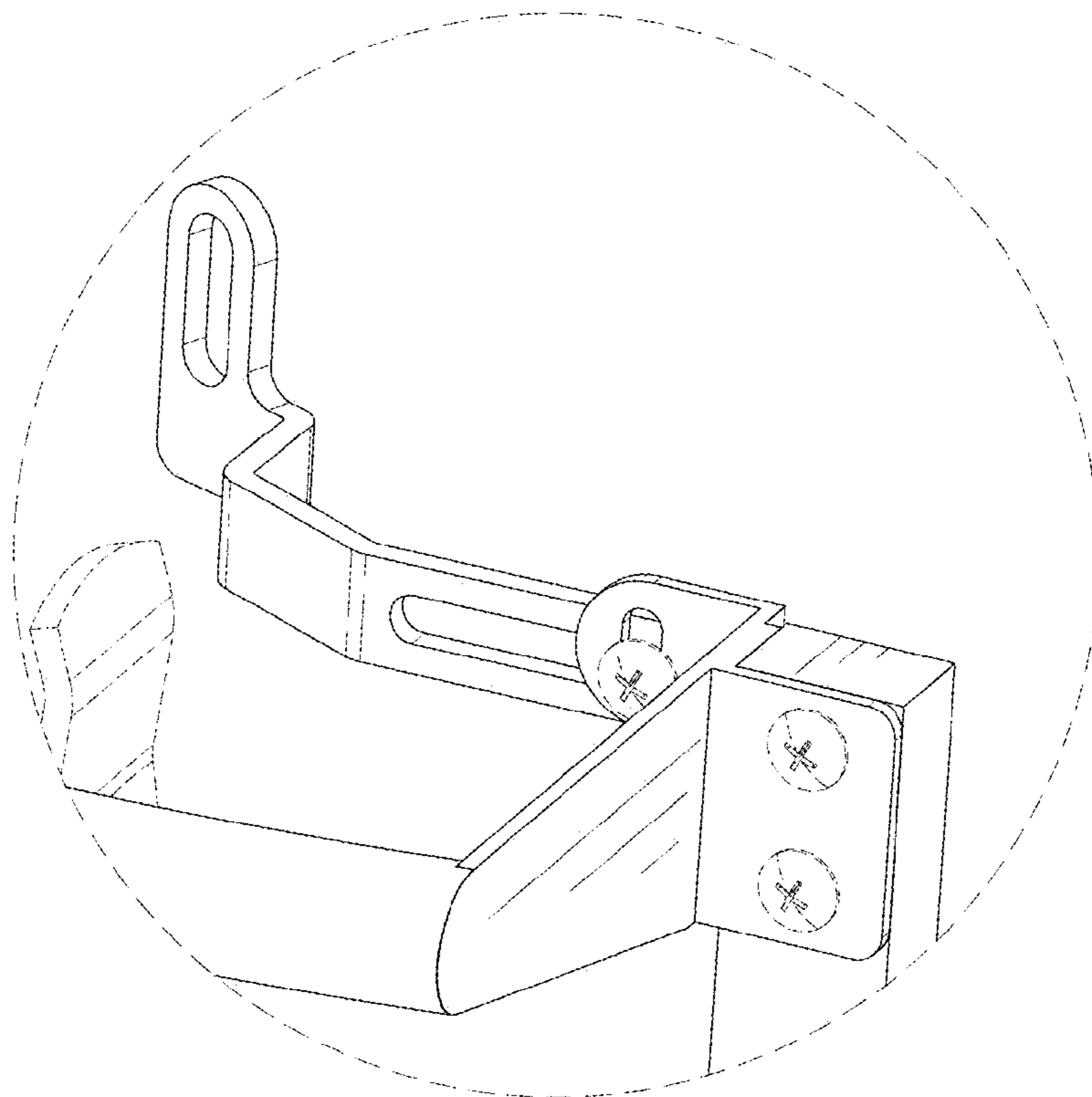


FIG. 10

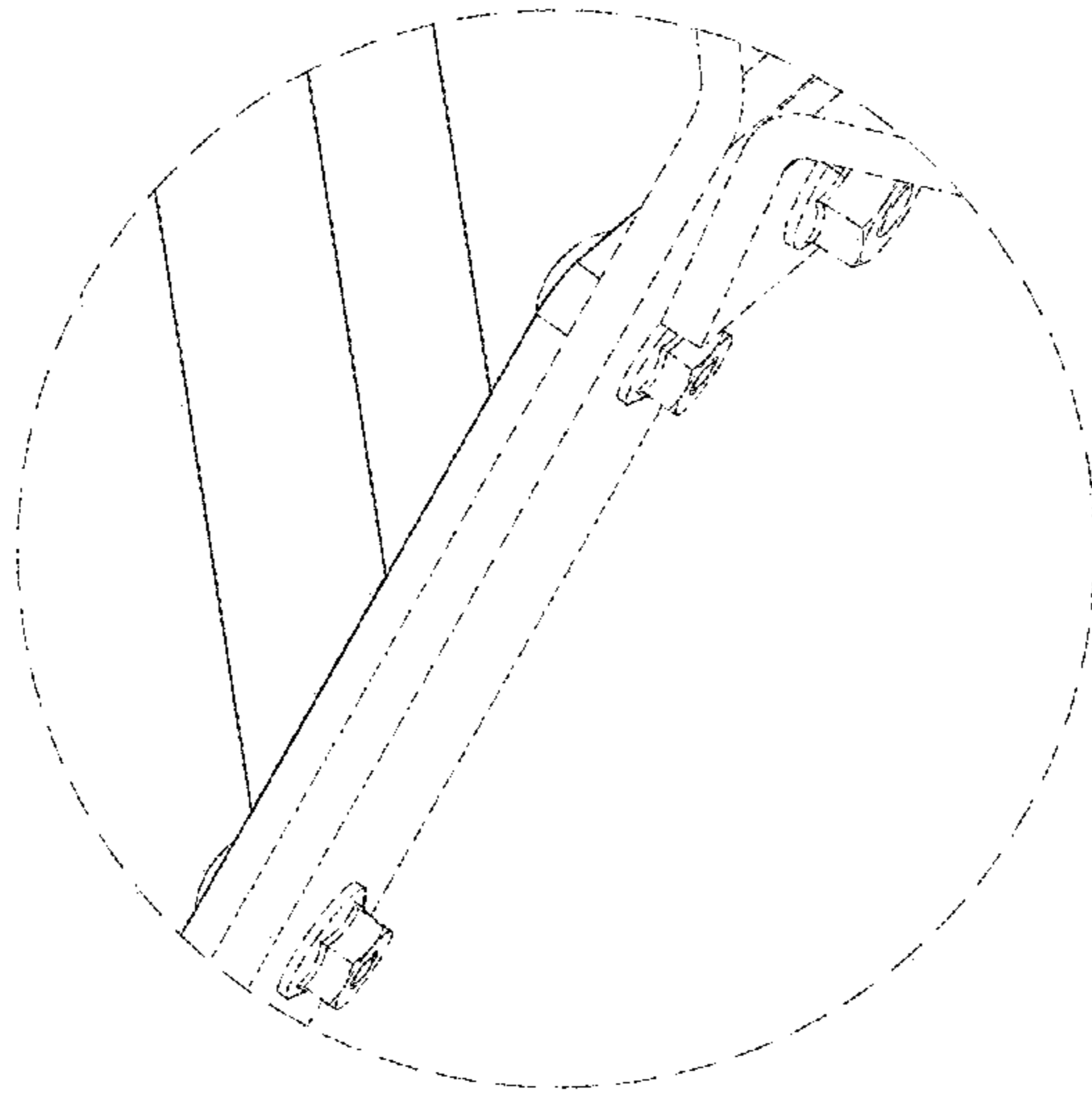


FIG. 11

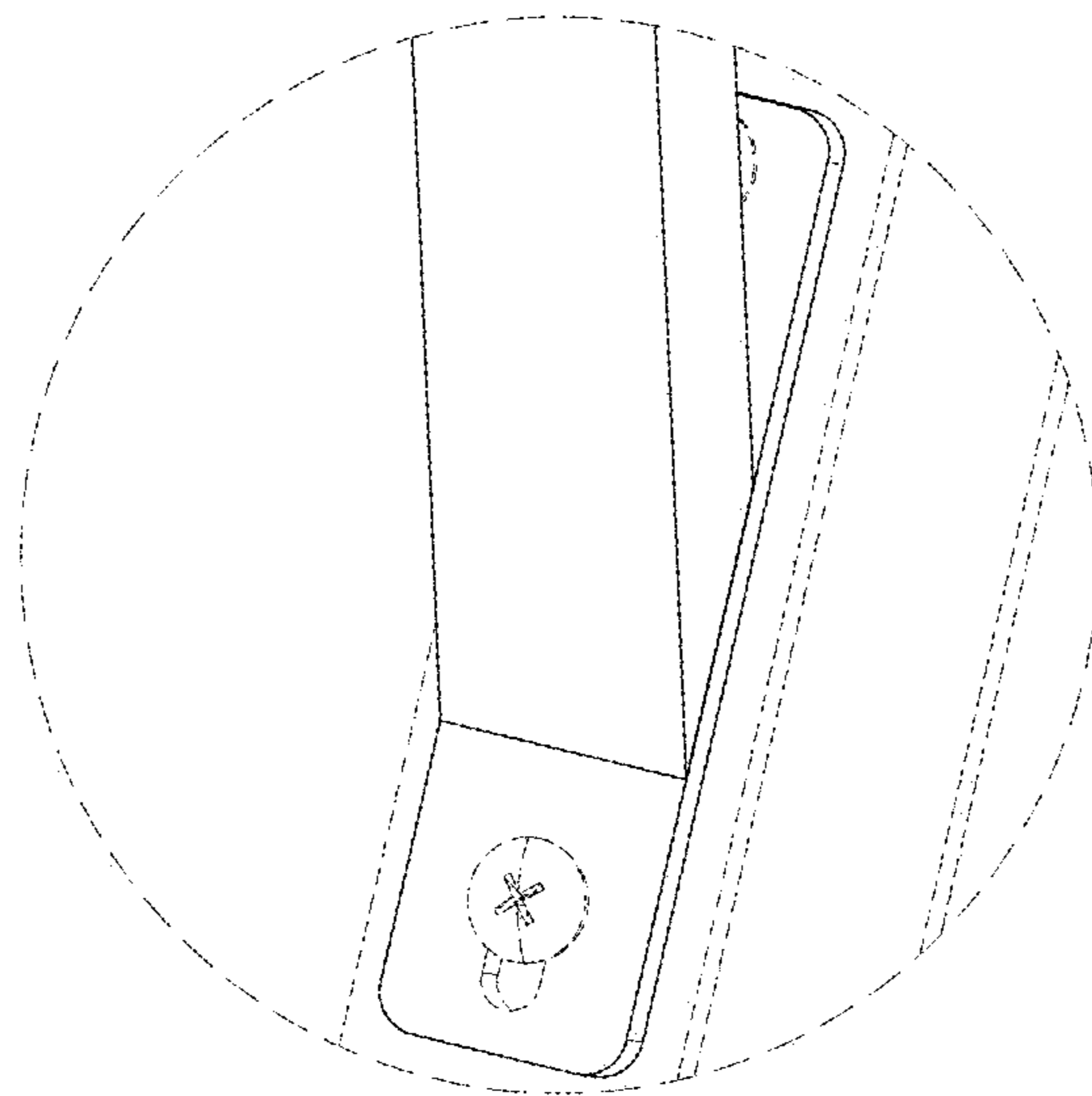


FIG. 12

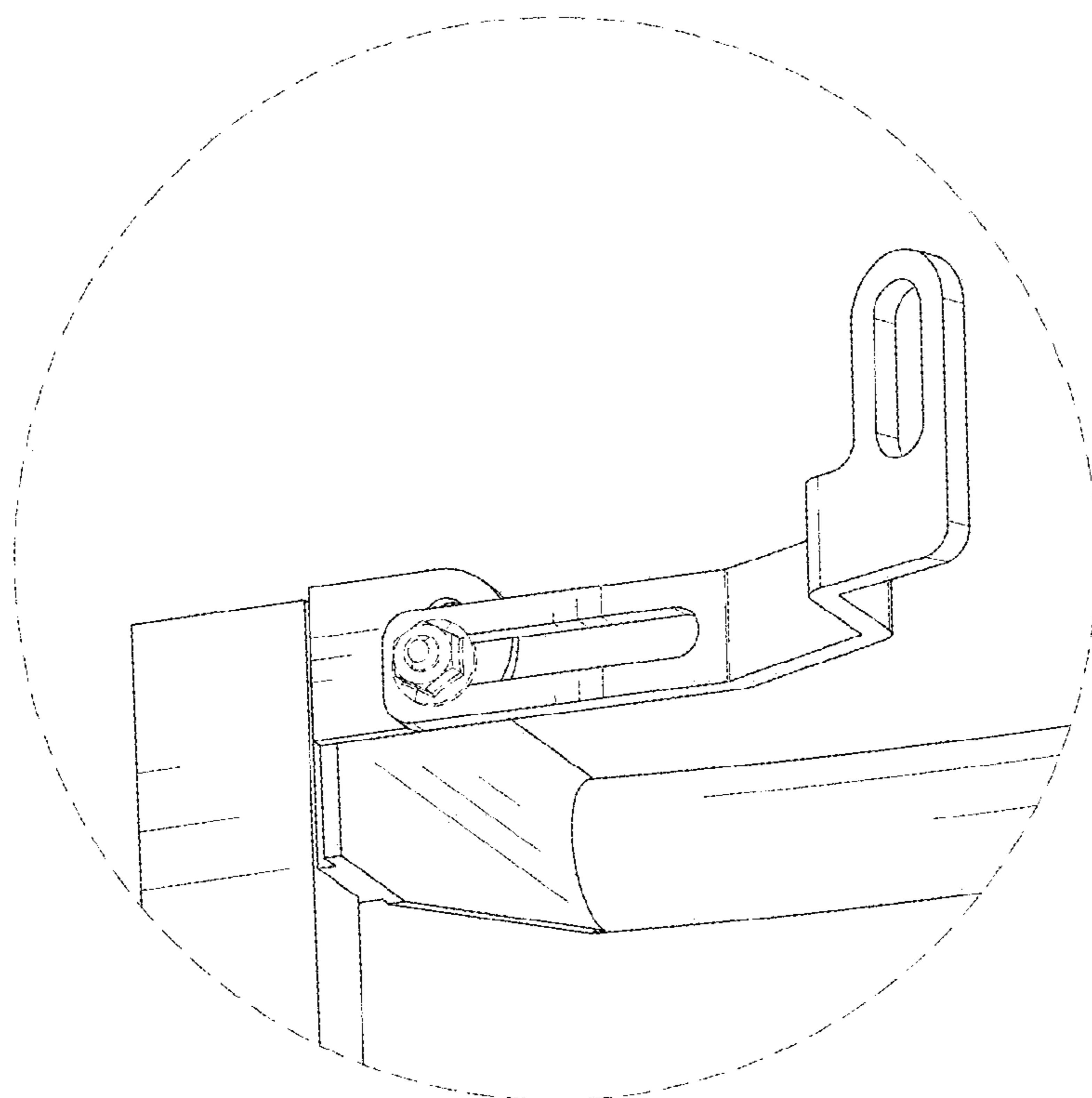


FIG. 13

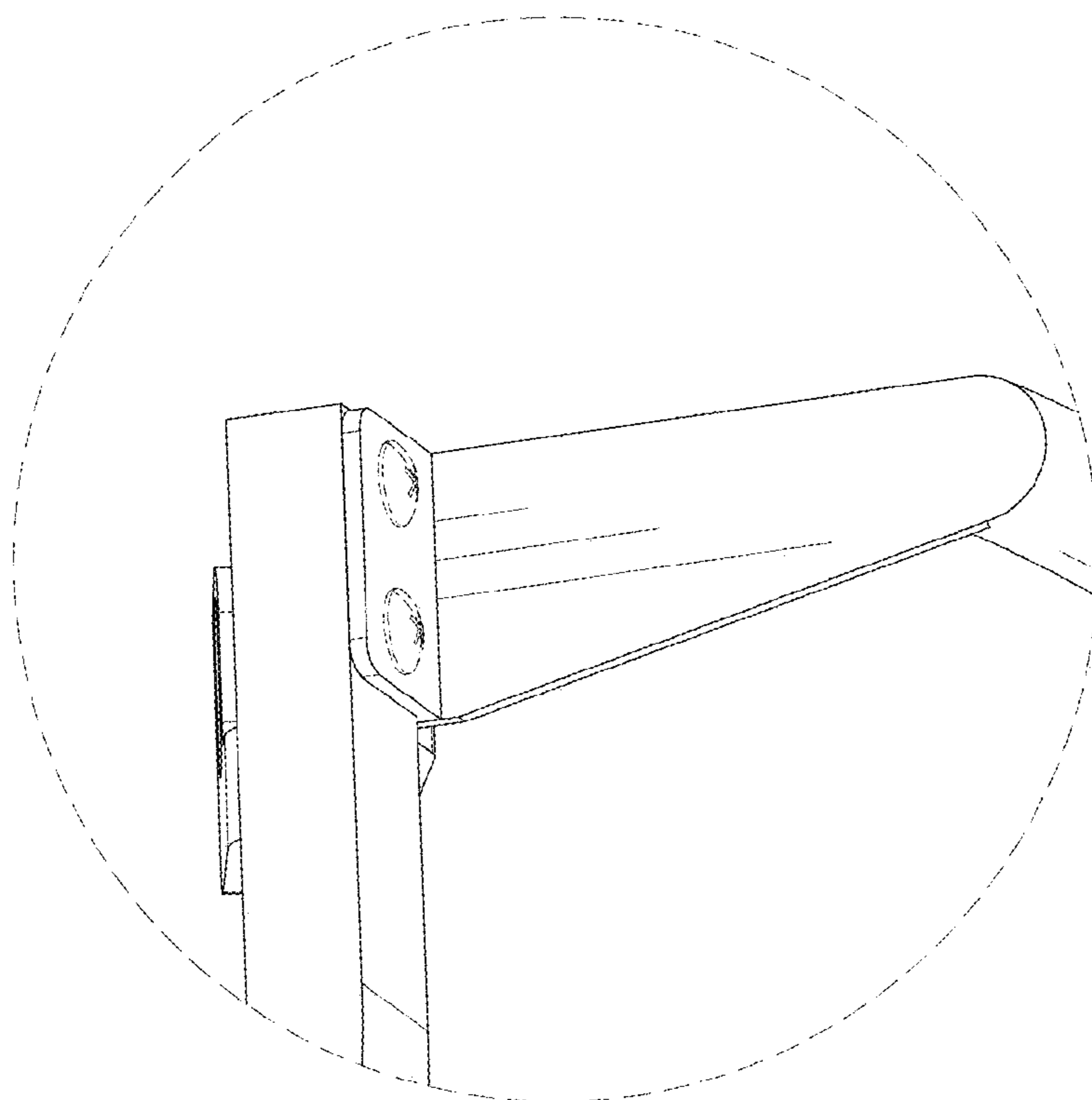


FIG. 14

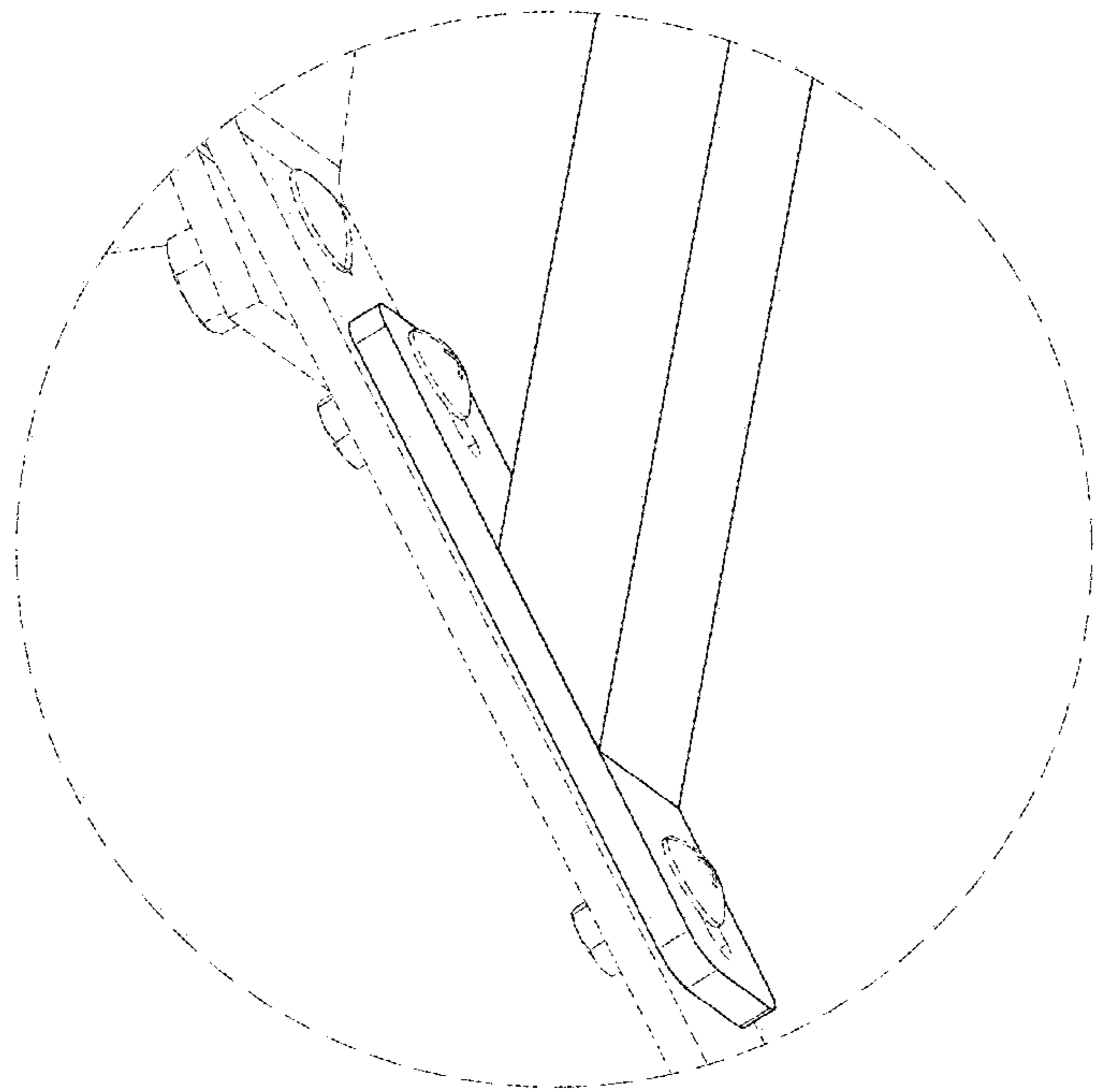


FIG. 15

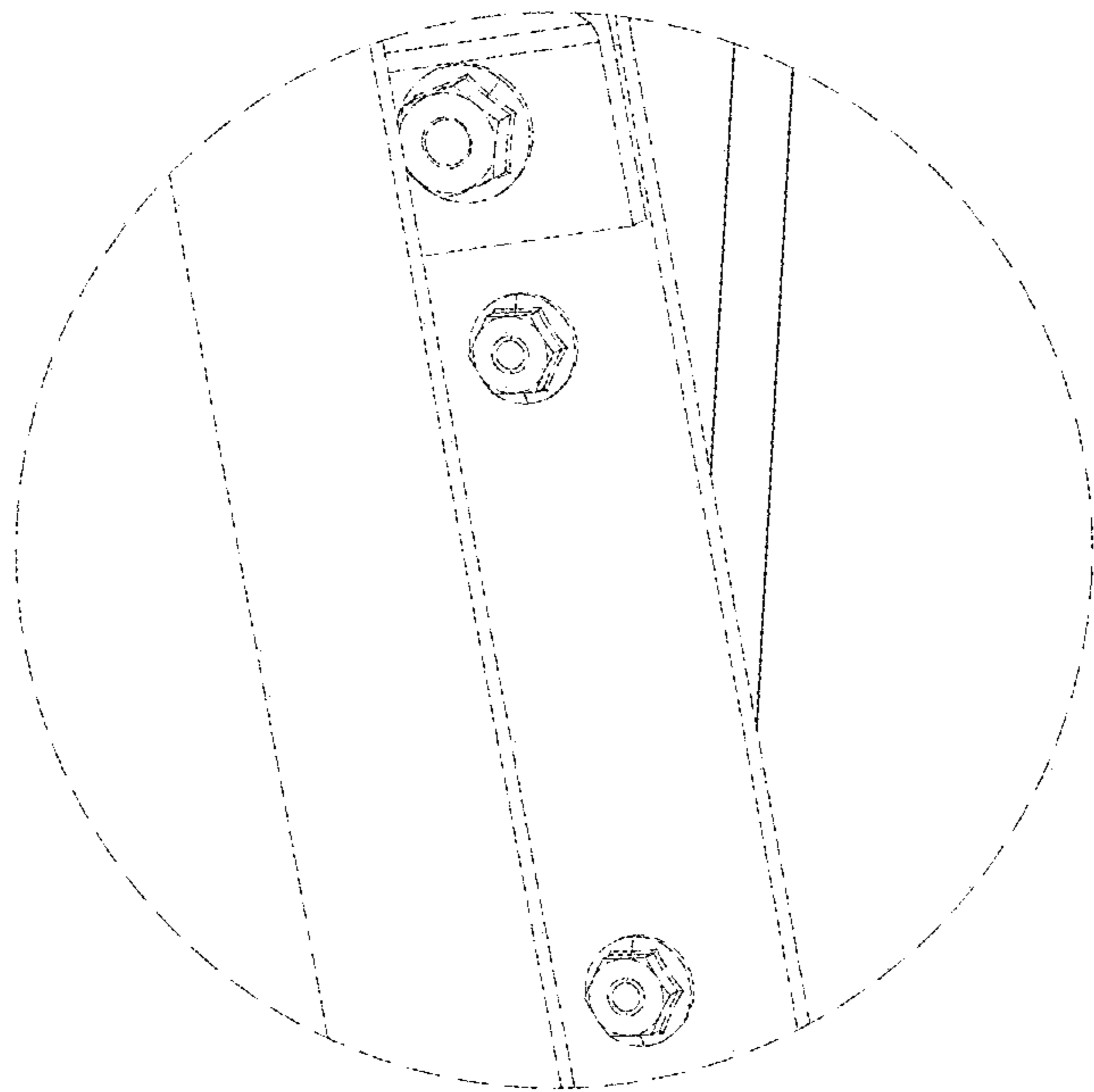


FIG. 16

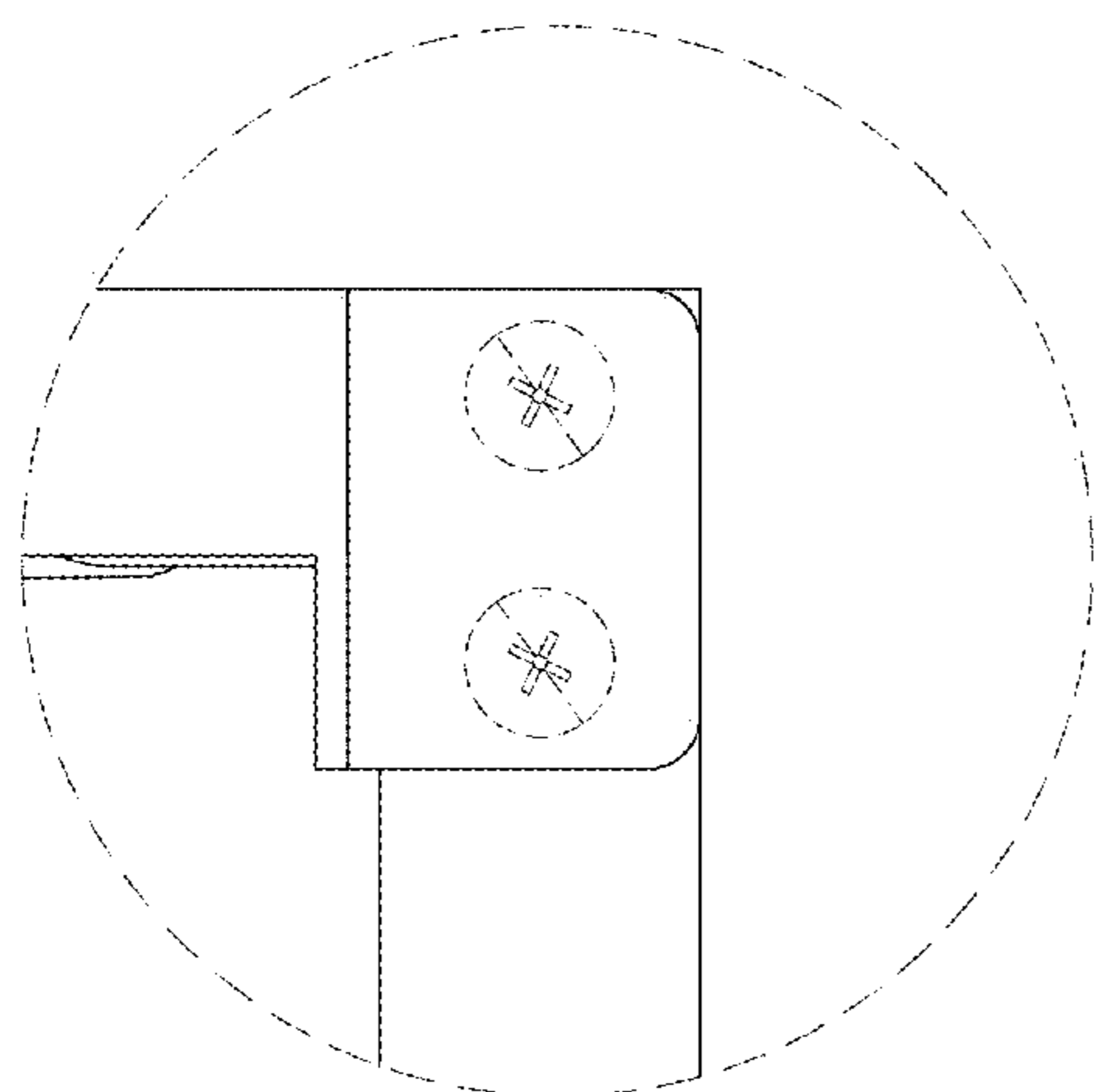


FIG. 17

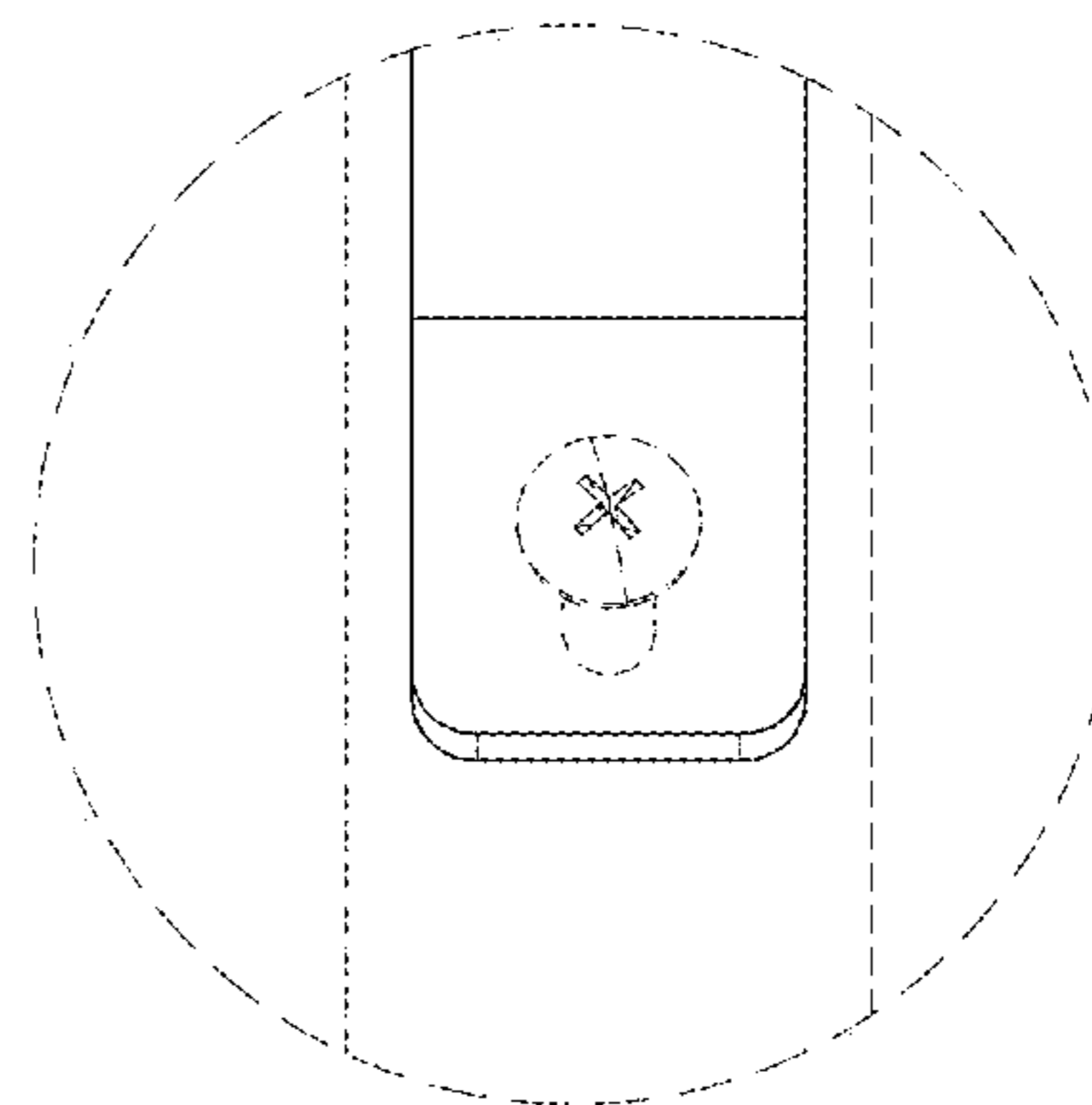


FIG. 18

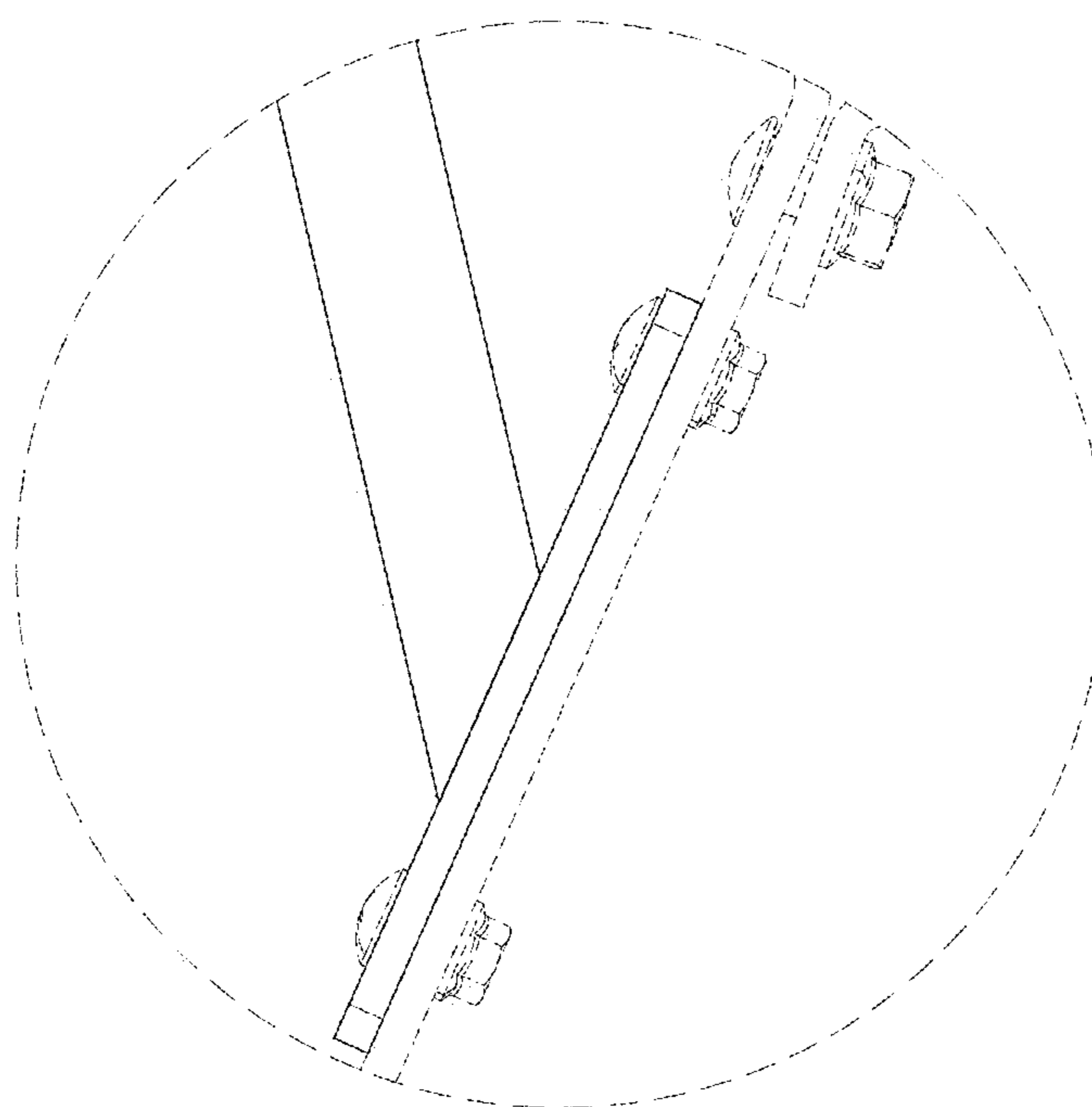


FIG. 19

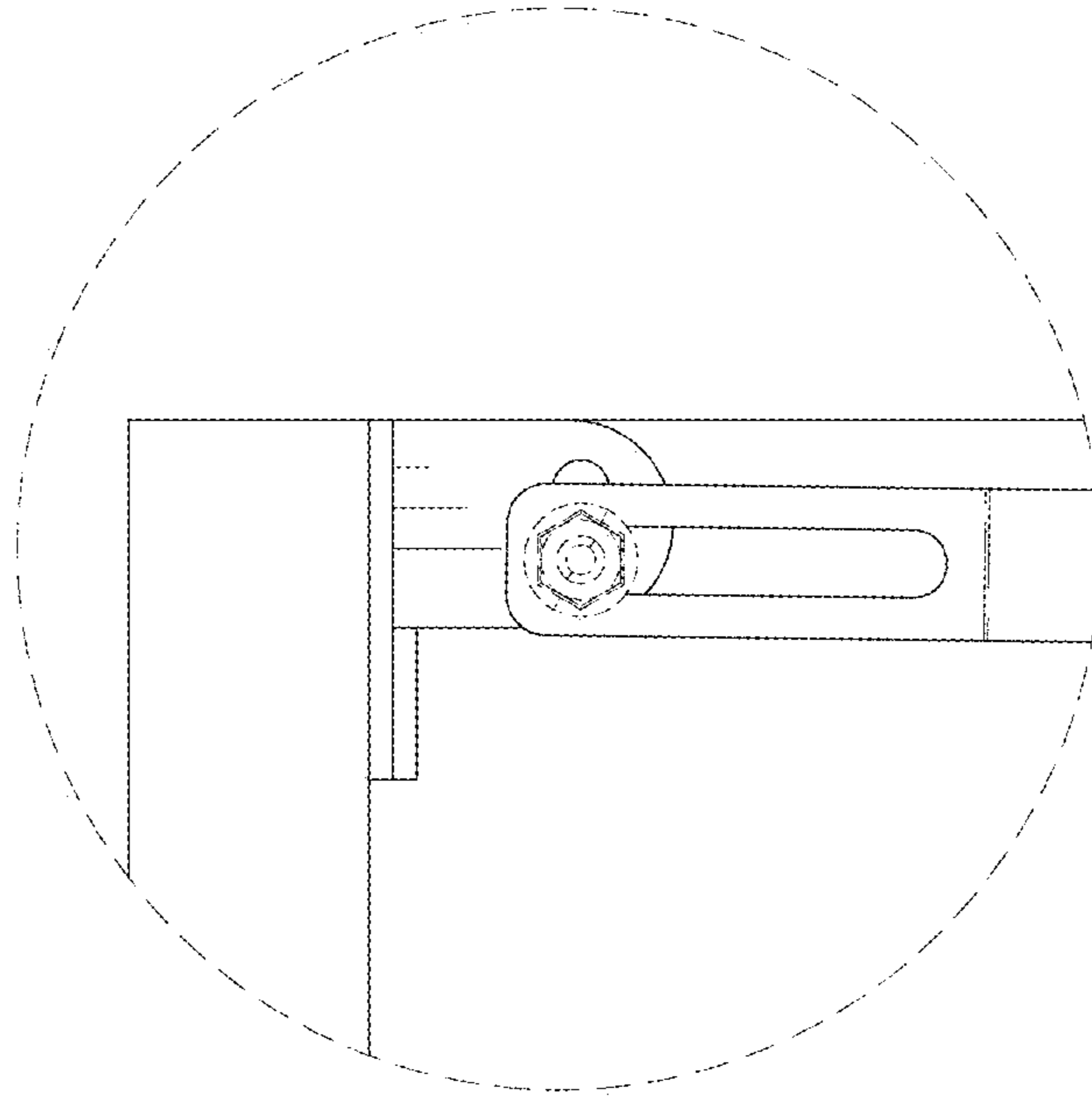


FIG. 20

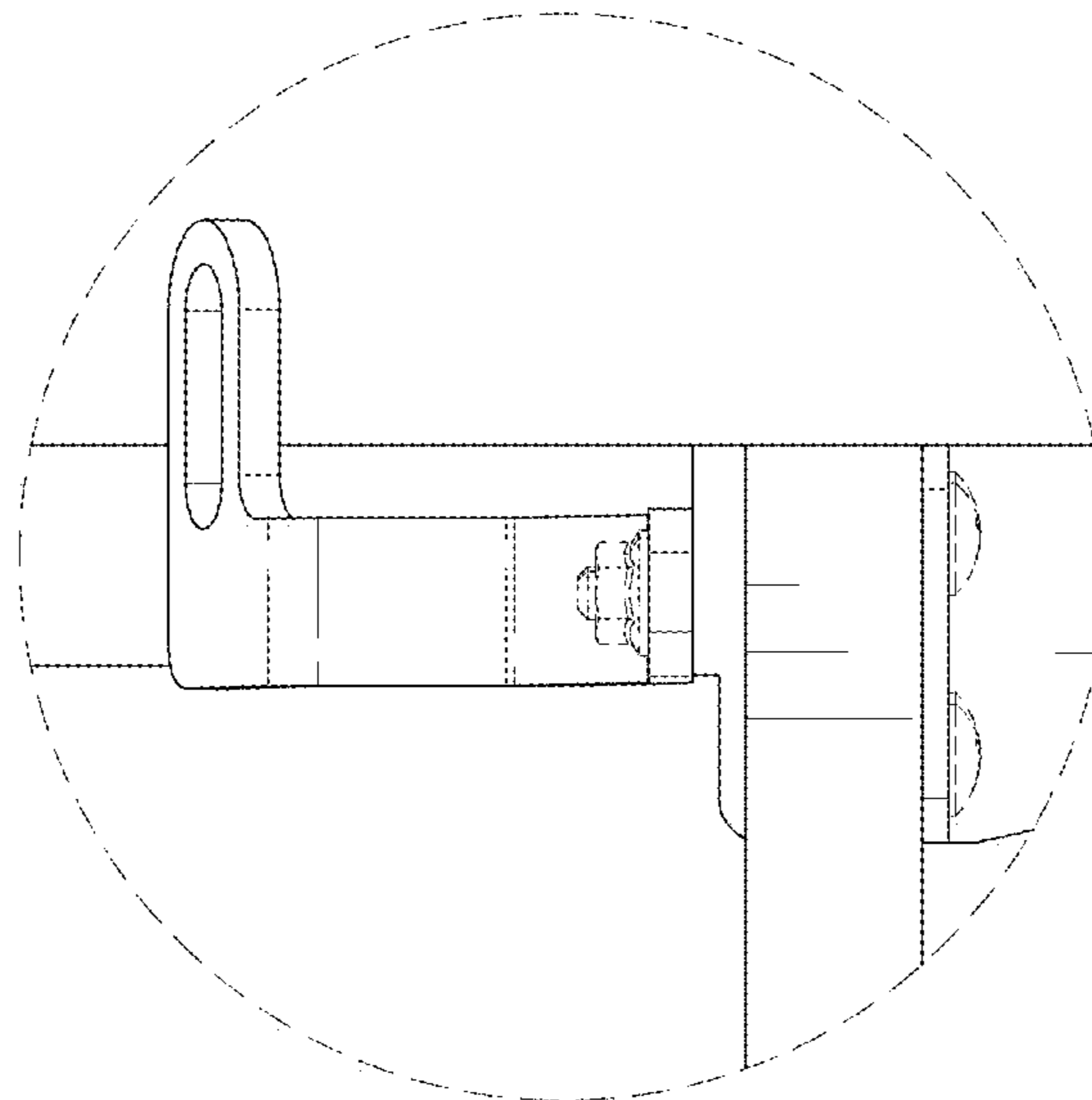


FIG. 21

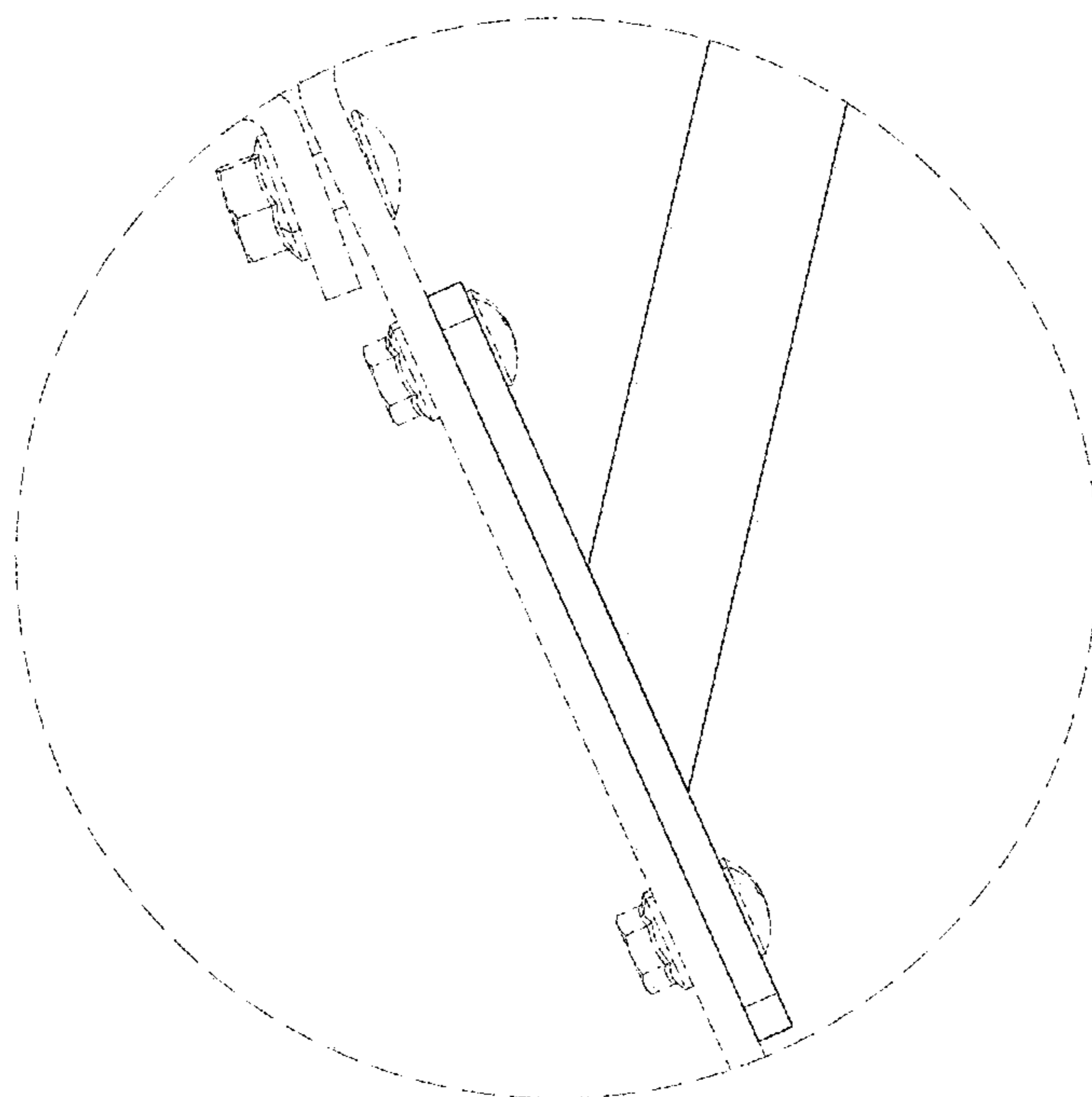


FIG. 22

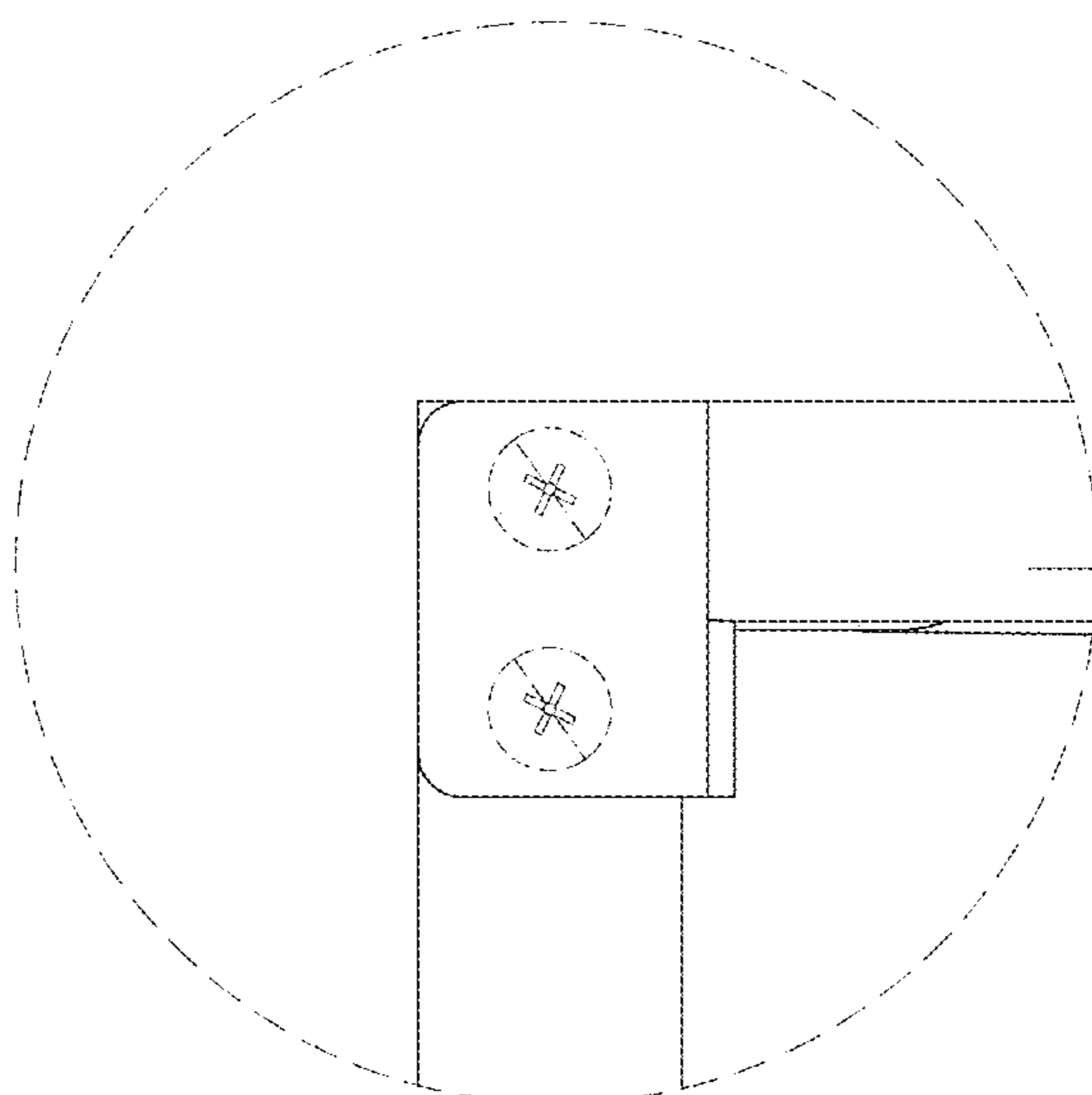


FIG. 23

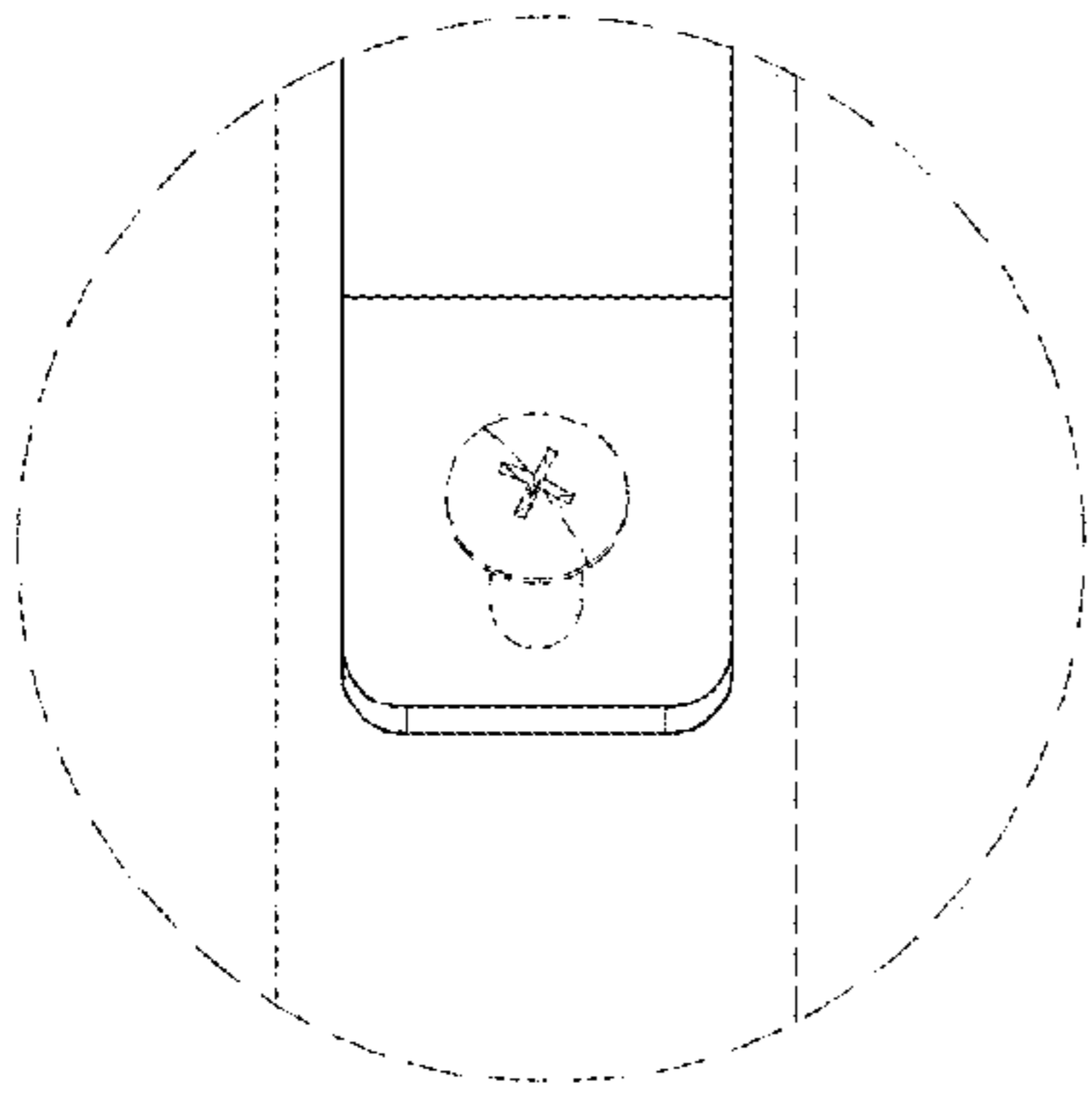


FIG. 24

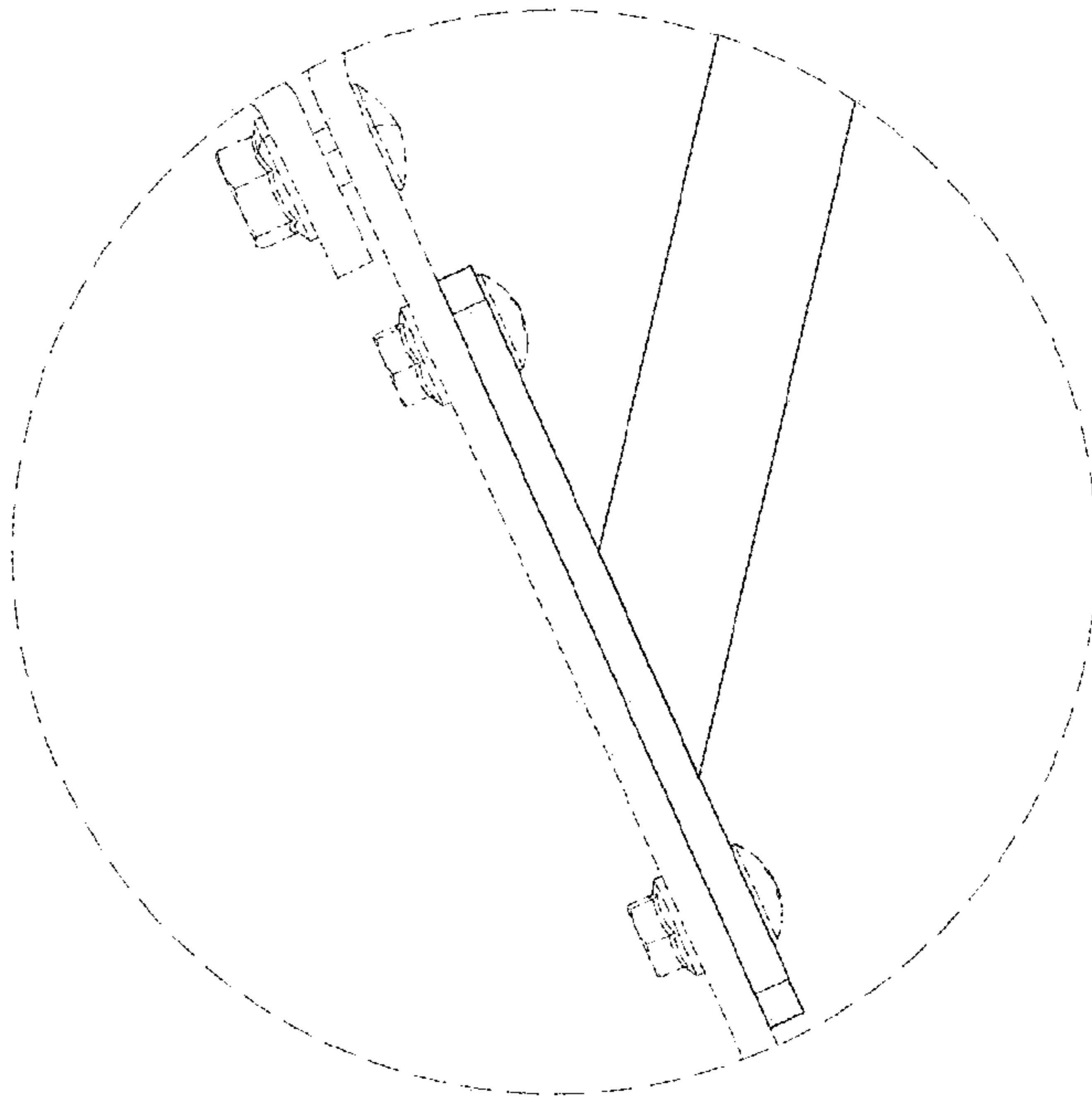


FIG. 25

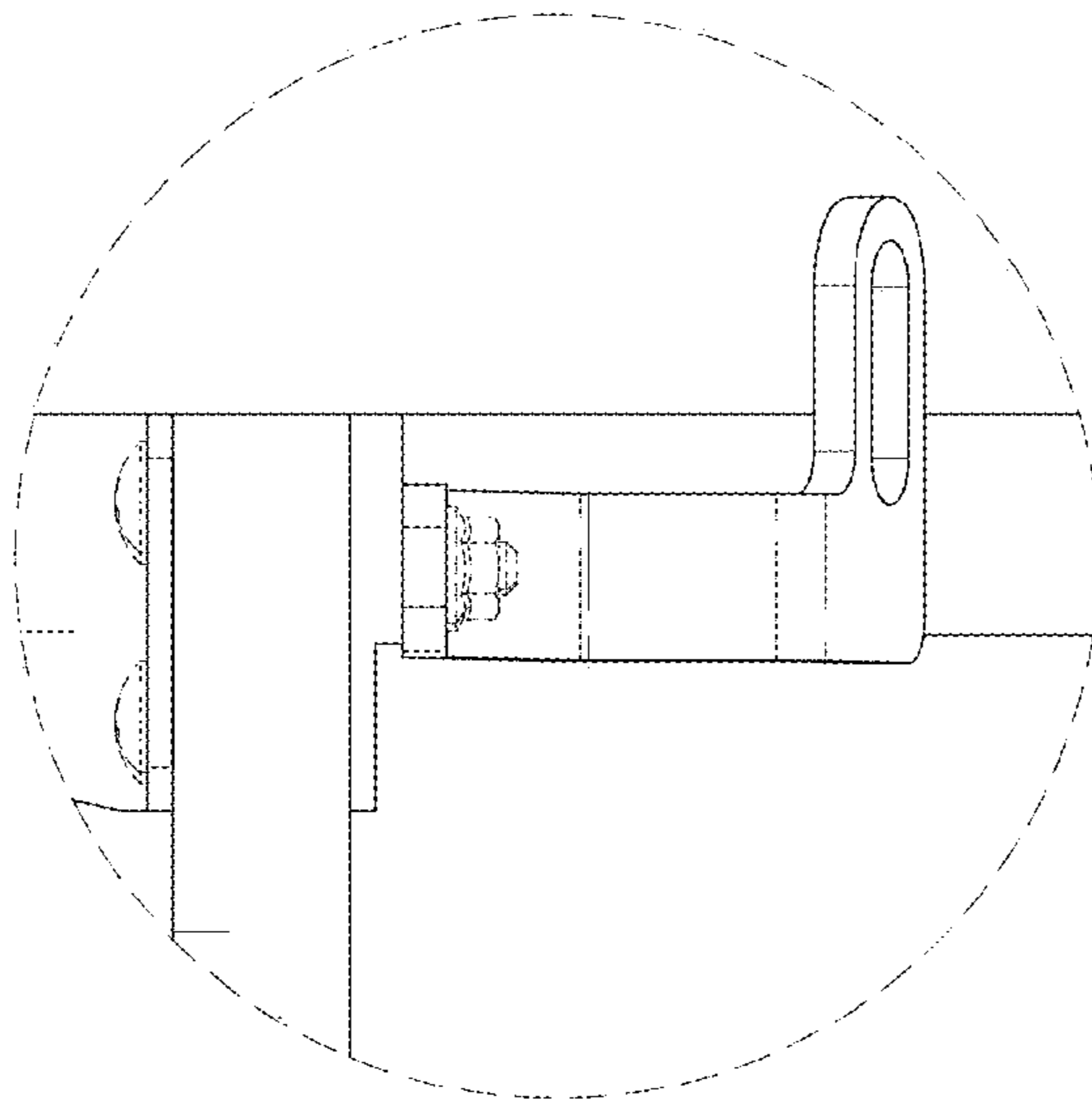


FIG. 26

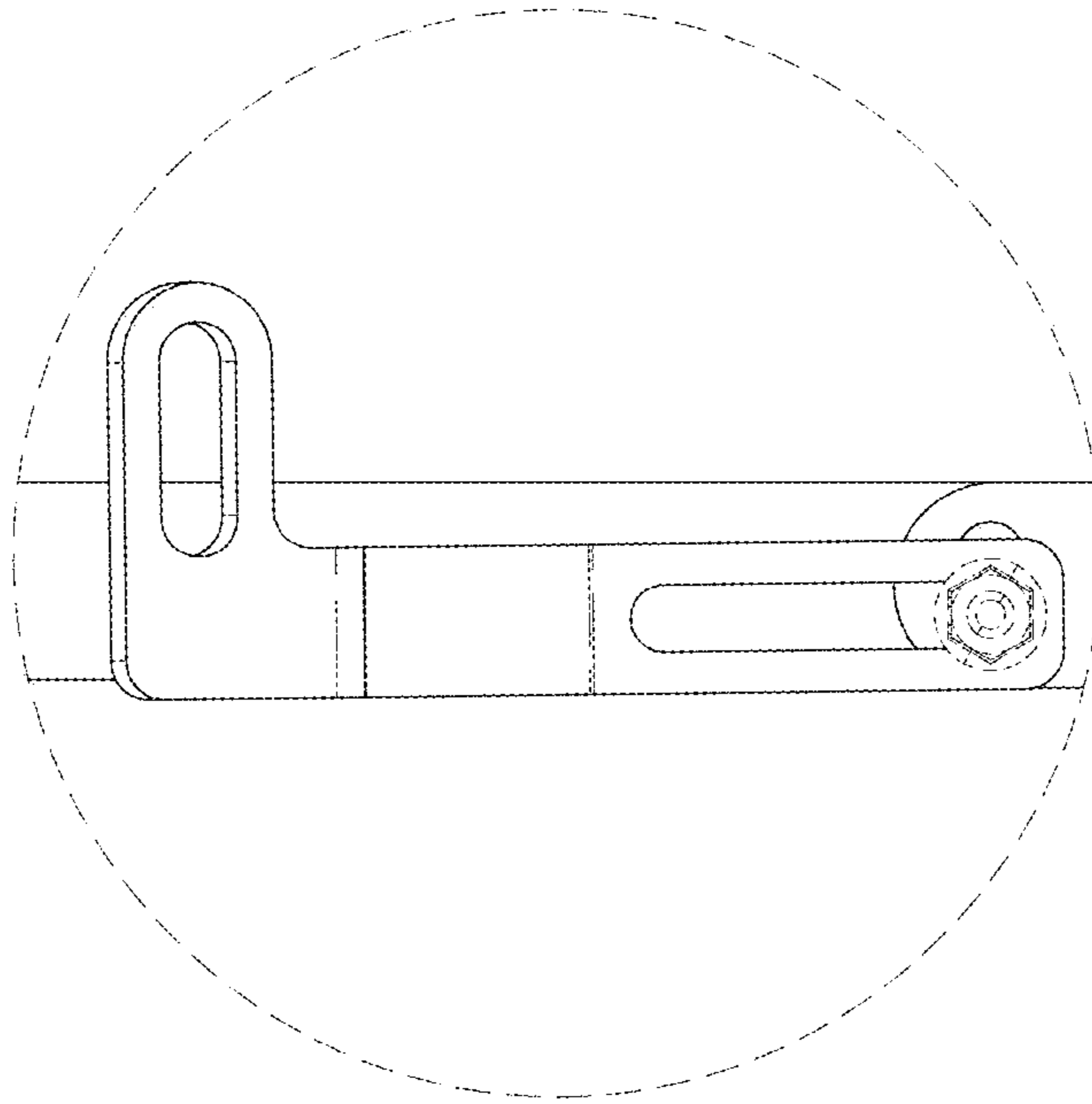


FIG. 27

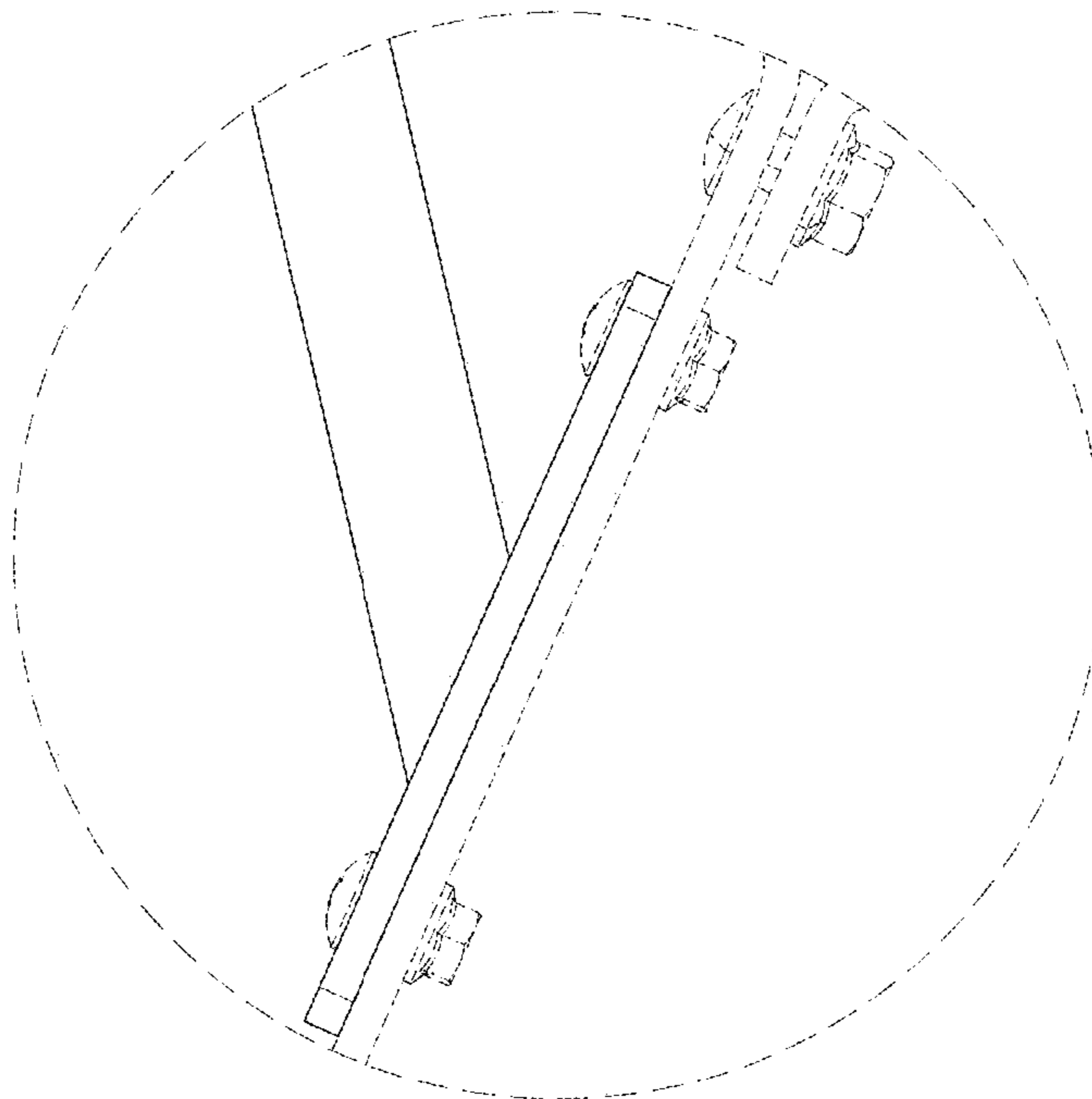


FIG. 28

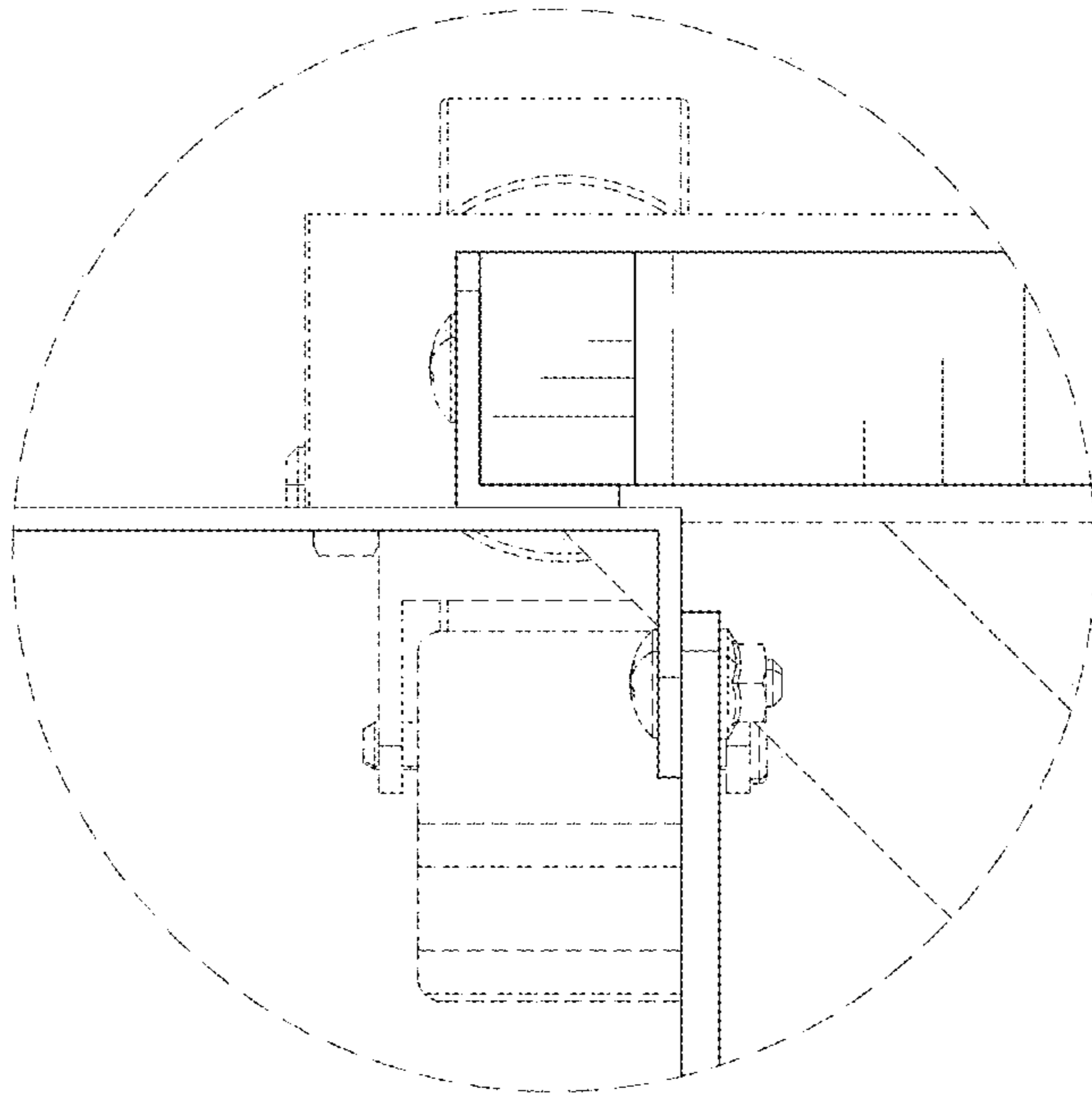


FIG. 29

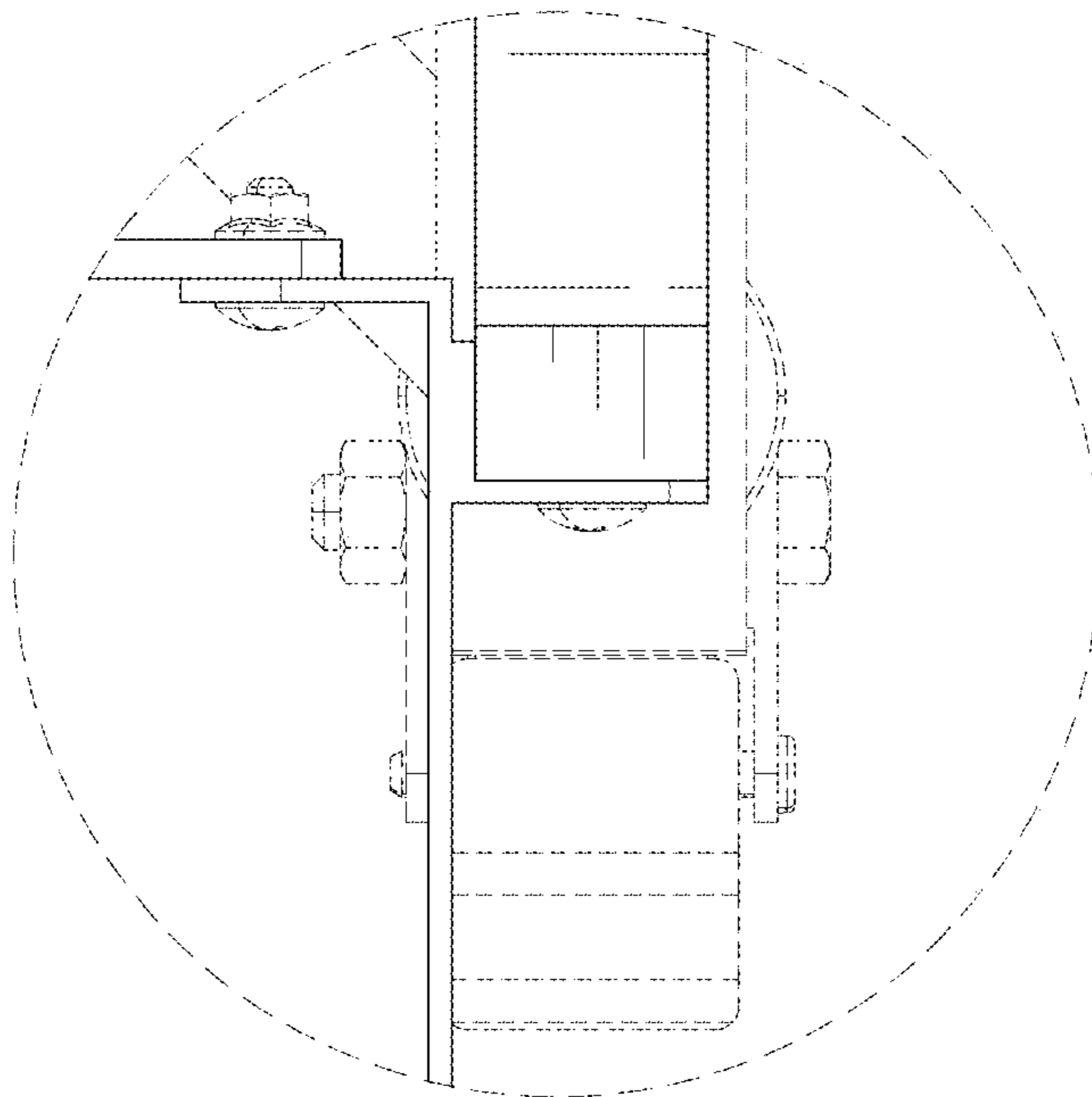


FIG. 30

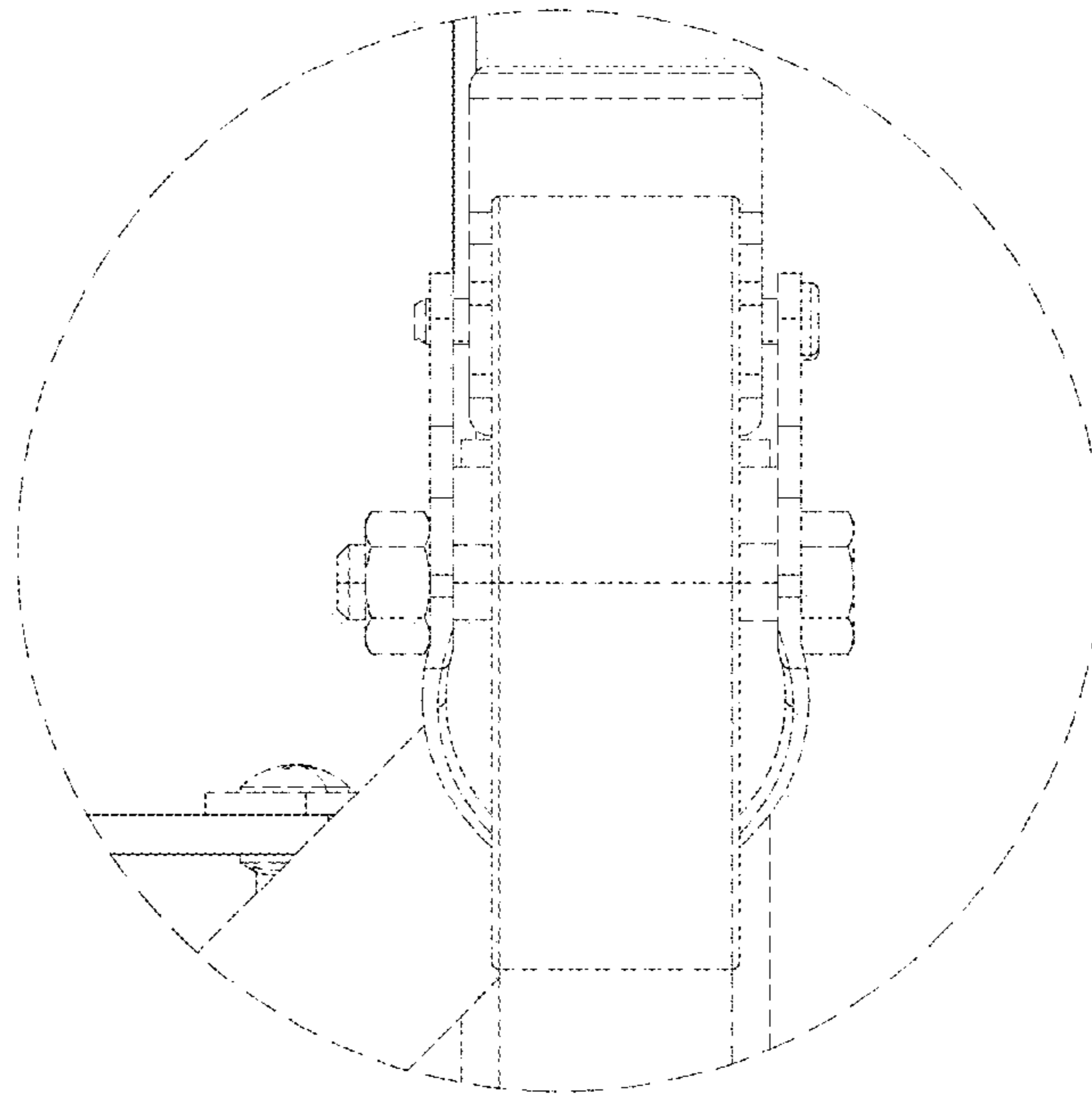


FIG. 31

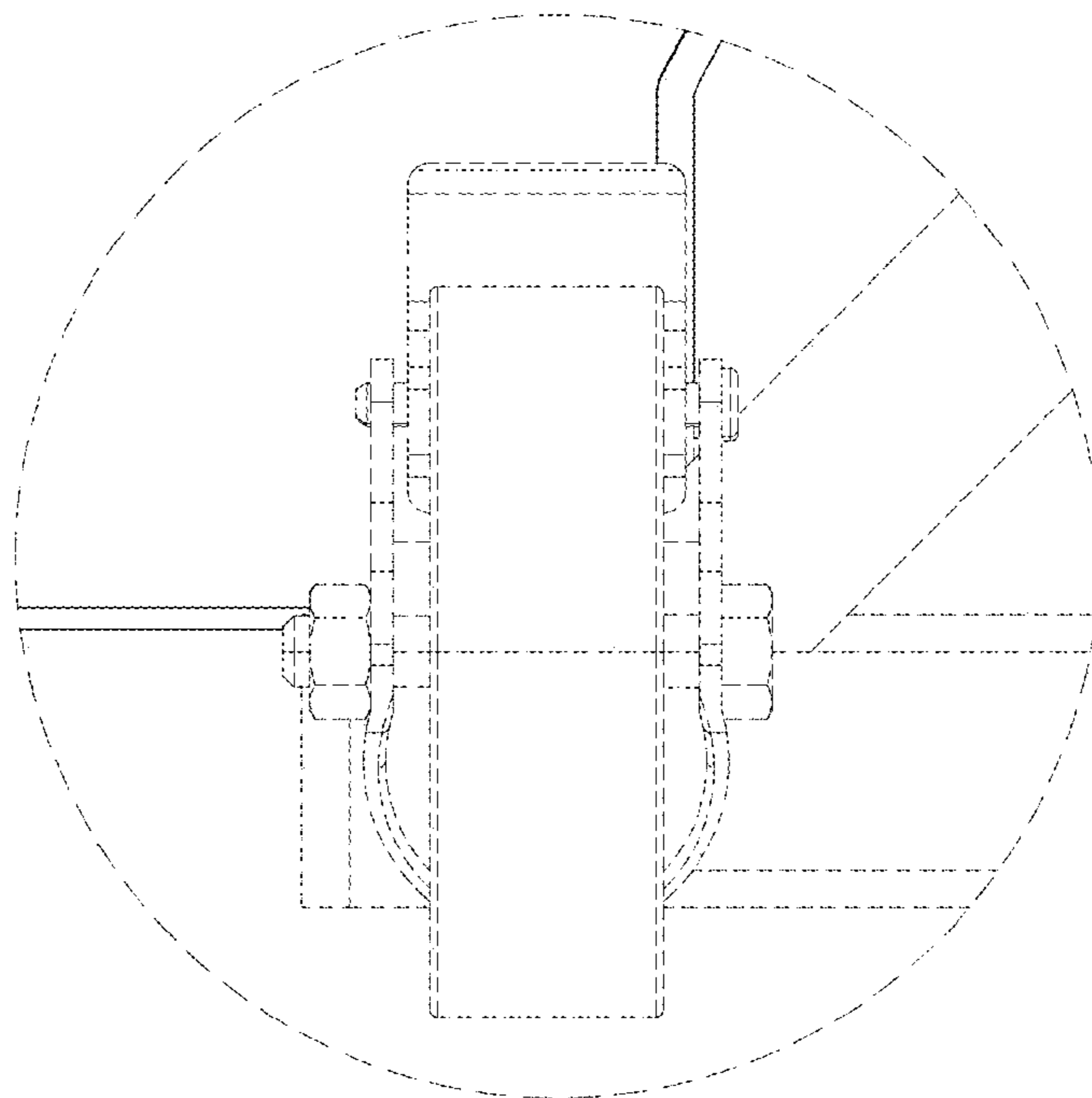


FIG. 32