



US00D981676S

(12) **United States Design Patent**
Zhu

(10) **Patent No.:** **US D981,676 S**
(45) **Date of Patent:** **** Mar. 21, 2023**

(54) **FURNITURE-CARRYING DEVICE**

(71) Applicant: **Meng Zhu**, Hefeng (CN)

(72) Inventor: **Meng Zhu**, Hefeng (CN)

(**) Term: **15 Years**

(21) Appl. No.: **29/851,386**

(22) Filed: **Aug. 29, 2022**

(51) **LOC (14) Cl.** **12-02**

(52) **U.S. Cl.**
USPC **D34/23**

(58) **Field of Classification Search**
USPC D34/23, 28
CPC .. B65D 21/042; B65D 21/0212; B62B 3/006;
B62B 3/02; B62B 3/16; B62B 3/003;
B62B 5/0093; B62B 1/20; B62B 1/24;
B60B 2900/325

See application file for complete search history.

(56) **References Cited**

U.S. PATENT DOCUMENTS

D370,757 S *	6/1996	Loftus	D34/38
D448,536 S *	9/2001	Treschitta	D34/12
6,886,787 B2 *	5/2005	Stahl	B62B 3/1476
			206/508
D825,881 S *	8/2018	Cope	D34/23
D887,102 S	6/2020	Beasley et al.	
D887,103 S *	6/2020	Tan	D34/23
D898,320 S *	10/2020	Brunner	D34/23
D904,714 S	12/2020	Franks	
D932,725 S	10/2021	Kobayashi et al.	
11,173,939 B2 *	11/2021	Hassell	B65D 21/0212
2012/0256385 A1 *	10/2012	Pujol	B62B 3/008
			280/79.11
2012/0267869 A1 *	10/2012	Hassell	B62B 3/02
			29/428
2021/0035611 A1 *	2/2021	Lau	B65D 25/106

OTHER PUBLICATIONS

amazon.com, retrieved on Jan. 4, 2023, Multi-functional furniture dolly roller base adjustable stand, https://www.amazon.com/multi-functional-furniture-adjustable-movable-refrigerator/dp/b07q28rx2q/ref=sr_1_18?tag=appliancestog-20 (Year: 2023).*

amazon.com retrieved Jan. 4, 2023, 6 pack furniture mover dolly with 5 wheels, https://www.amazon.com/dp/B0B12KQLZ4?pd_rd_i=B0B12KQLZ4&pf_rd_p=b000e0a0-9e93-480f-bf78-a83c8136dfcb&pf_rd_r=F9BW9NZ116RRSBC88PXB&pd_rd_wg=0NjT8&pd_rd_w=W3ZOq&pd_r=fff929b8-6101-48fd-99ba-64470f34ed1d&th=1 (Year: 2023).*

(Continued)

Primary Examiner — Cynthia Ramirez

(74) *Attorney, Agent, or Firm* — Rumit Ranjit Kanakia

(57) **CLAIM**

The ornamental design for a furniture-carrying device, as shown and described.

DESCRIPTION

FIG. 1 is a first perspective view of a furniture-carrying device showing my new design;

FIG. 2 is a second perspective view thereof;

FIG. 3 is a front view thereof;

FIG. 4 is a back view thereof;

FIG. 5 is a left side view thereof;

FIG. 6 is a right side view thereof;

FIG. 7 is a top view thereof;

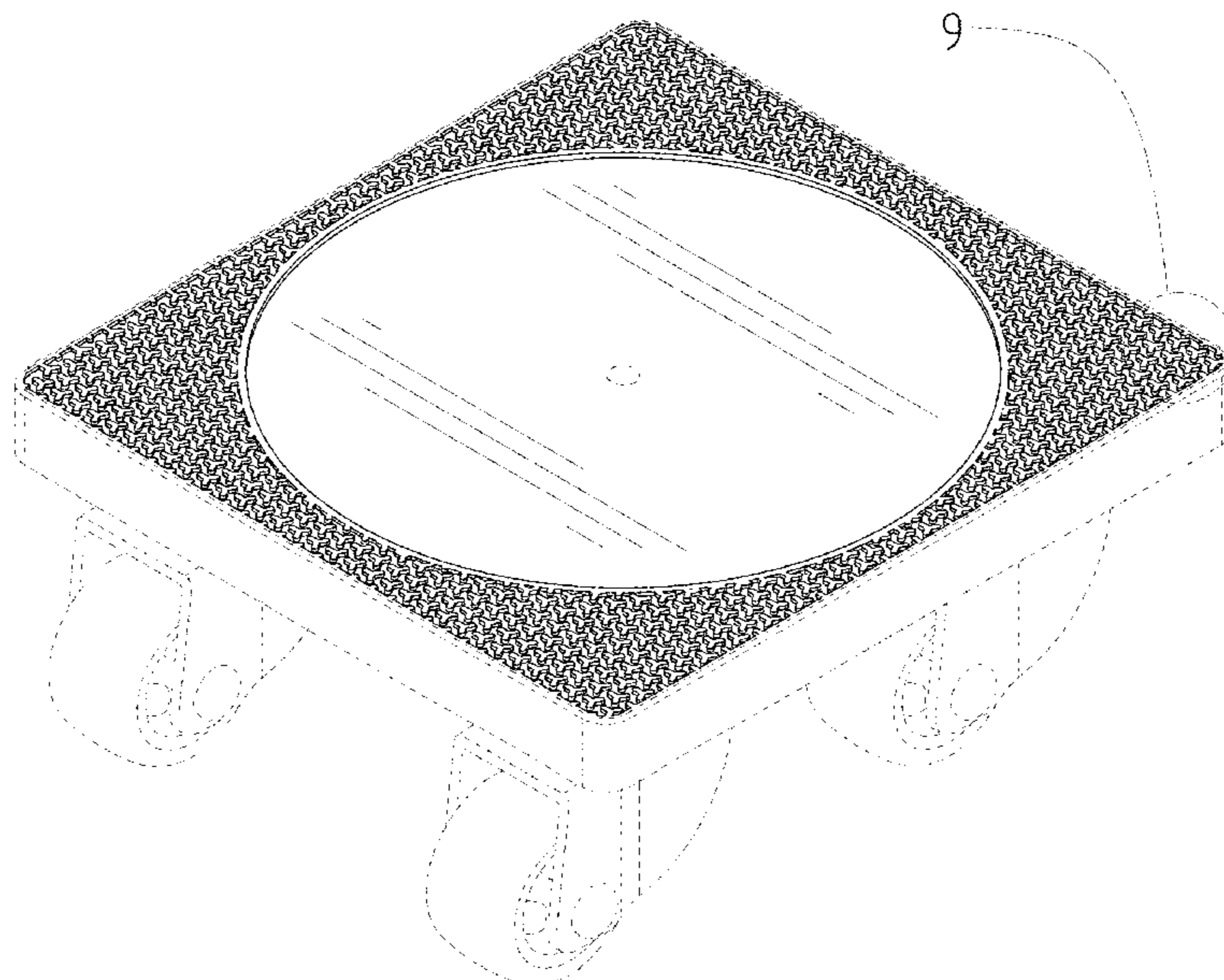
FIG. 8 is a bottom view thereof; and,

FIG. 9 is an enlarged view of the selected portion 9 in FIG. 1.

The broken lines shown in the drawings depict portions of the furniture-carrying device that form no part of the claimed design.

The dash-dot broken lines demarcate enlarged areas and form no part of the claimed design.

1 Claim, 9 Drawing Sheets



(56)

References Cited

OTHER PUBLICATIONS

amazon.com retrieved Jan. 4, 2023, Maxworks 80854 polypropylene dolly, https://www.amazon.com/MaxWorks-80854-Polypropylene-Dolly-200-lb-Capacity/dp/B07C72GWL7/ref=sr_1_18?keywords=furniture+dolly&qid=1672848042&sr=8-18 (Year: 2023).*

amazon.com retrieved on Jan. 3, 2023, furniture mover dolly with lifter, https://www.amazon.com/Furniture-Capacity-Rotation-Lifters-Set-%EF%BC%88Orange%EF%BC%89/dp/B09W8PGKW1/ref=sr_1_40?keywords=furniture+dolly&qid=1672848189&sr=8-40 (Year: 2023).*

* cited by examiner

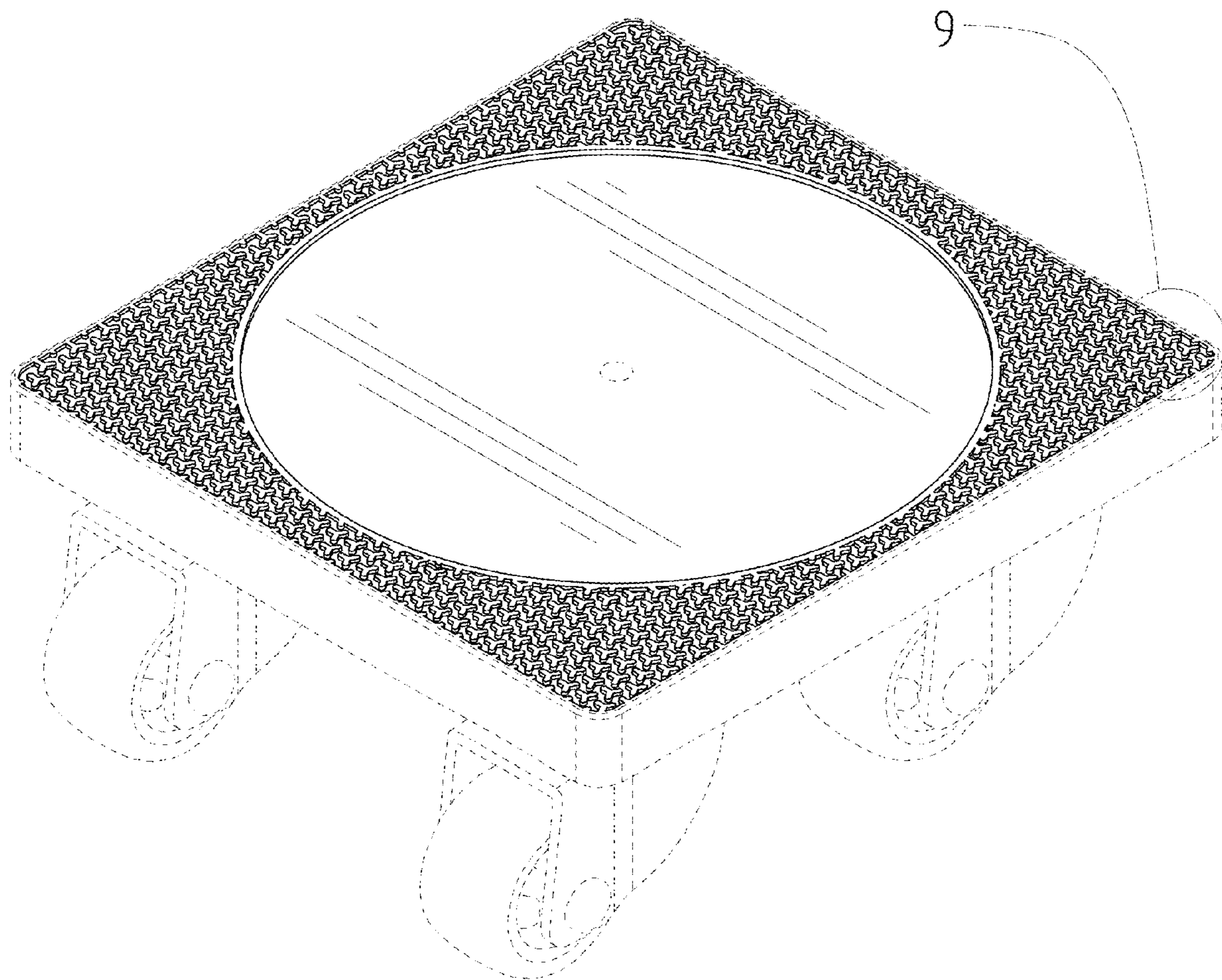


FIG. 1

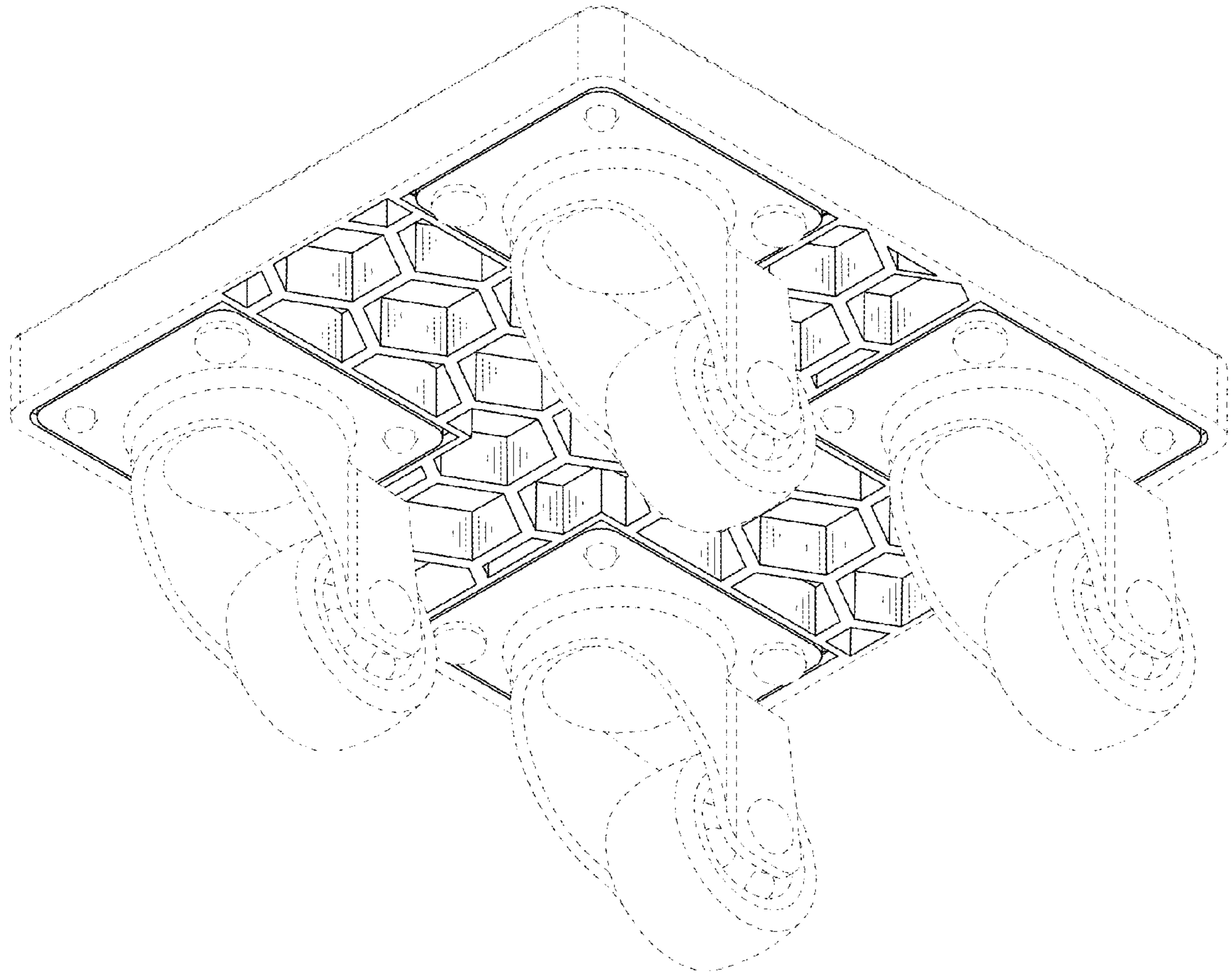


FIG. 2

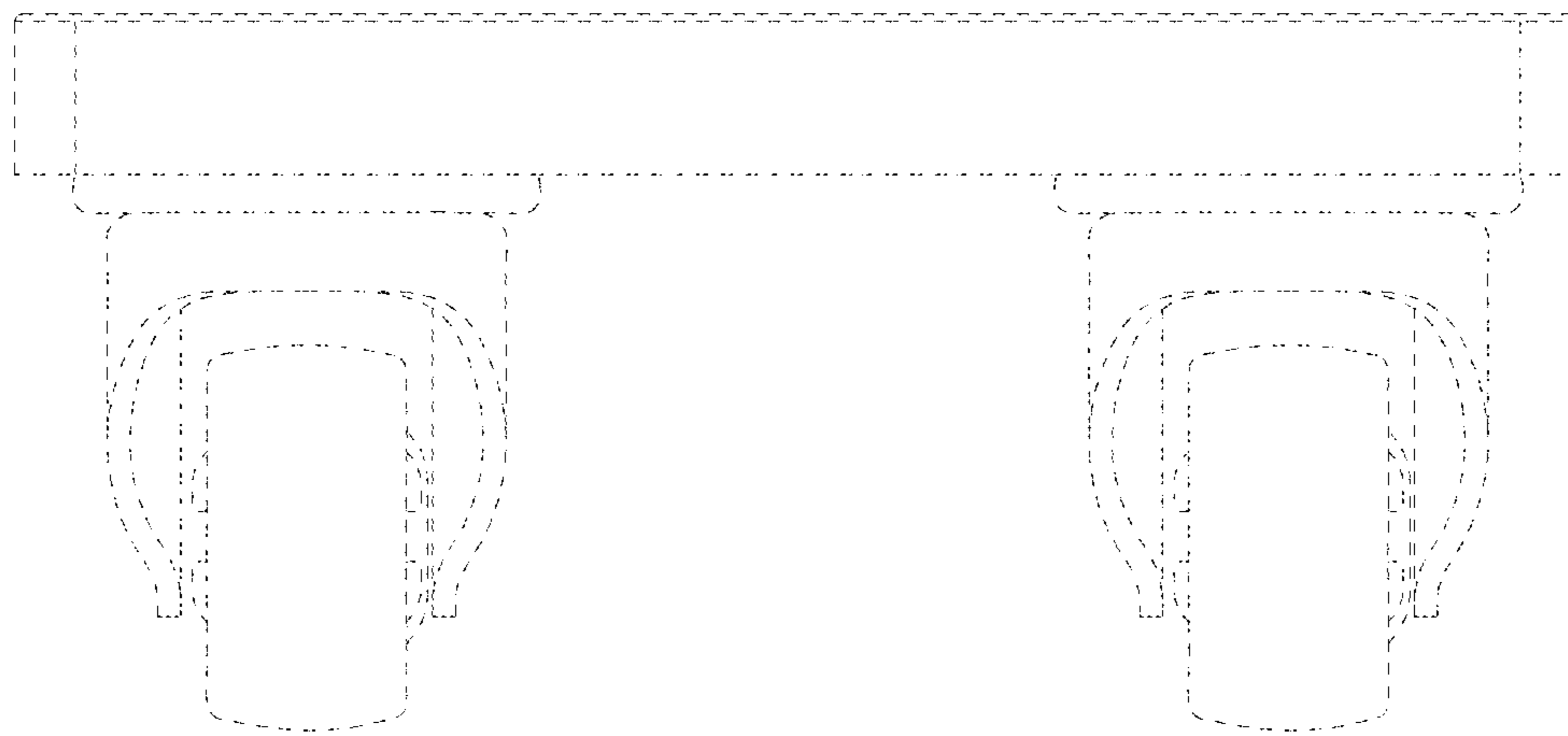


FIG. 3

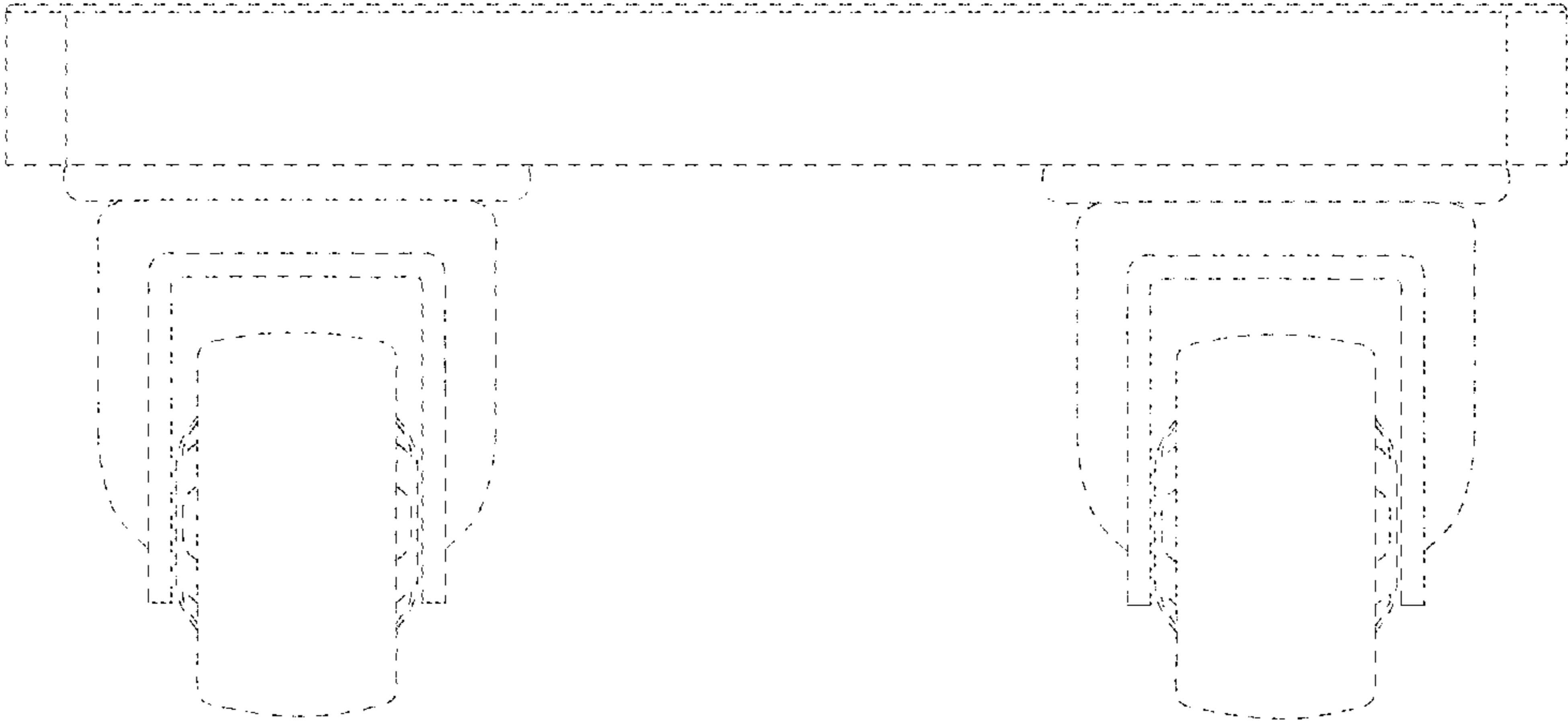


FIG. 4

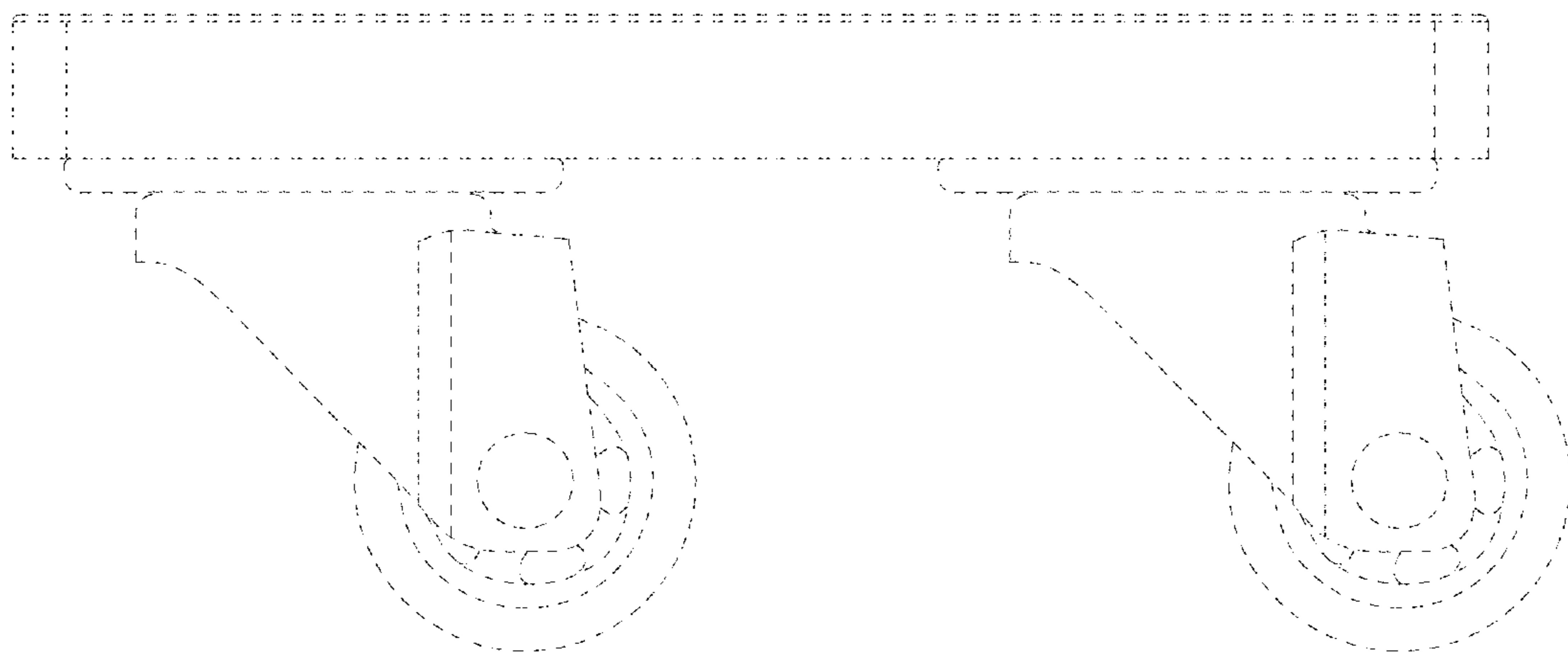


FIG. 5

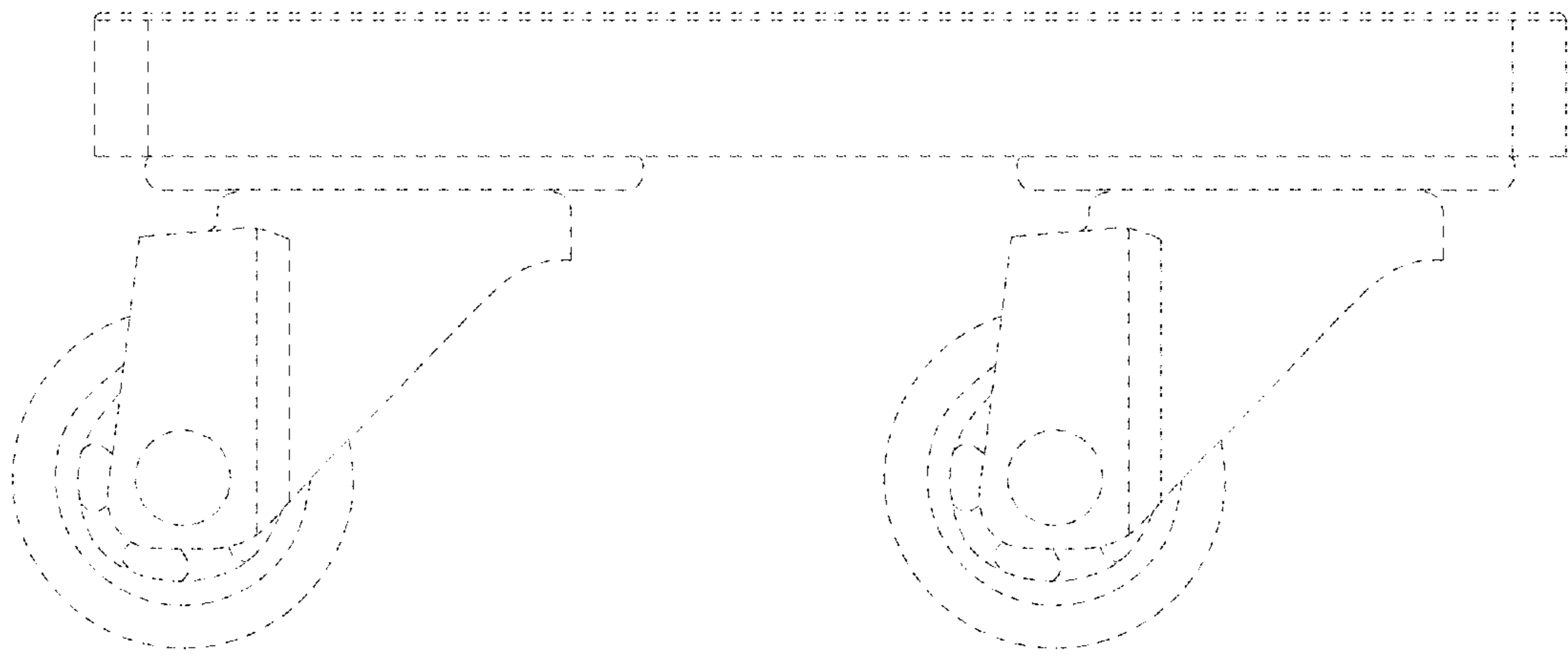


FIG. 6

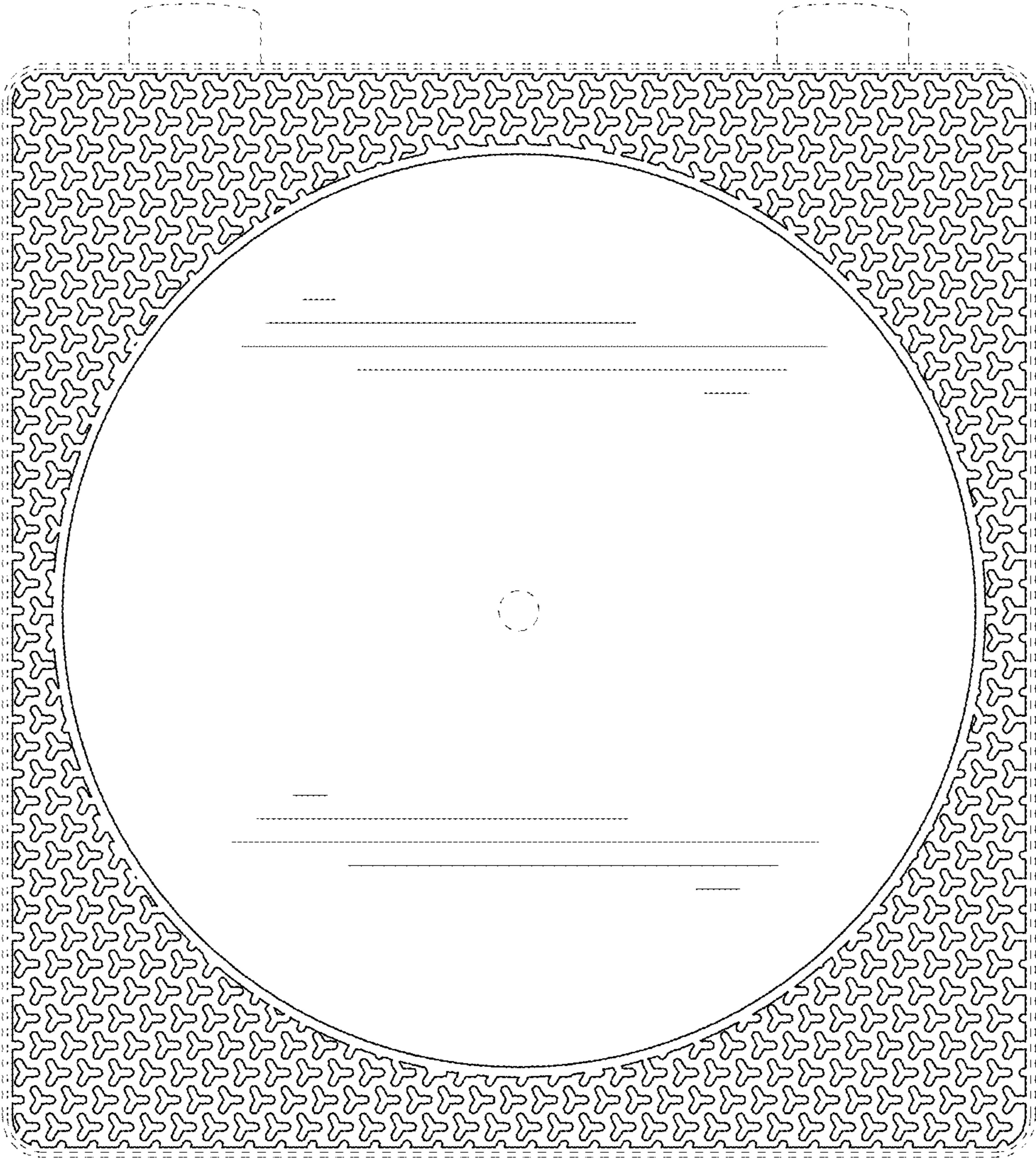


FIG. 7

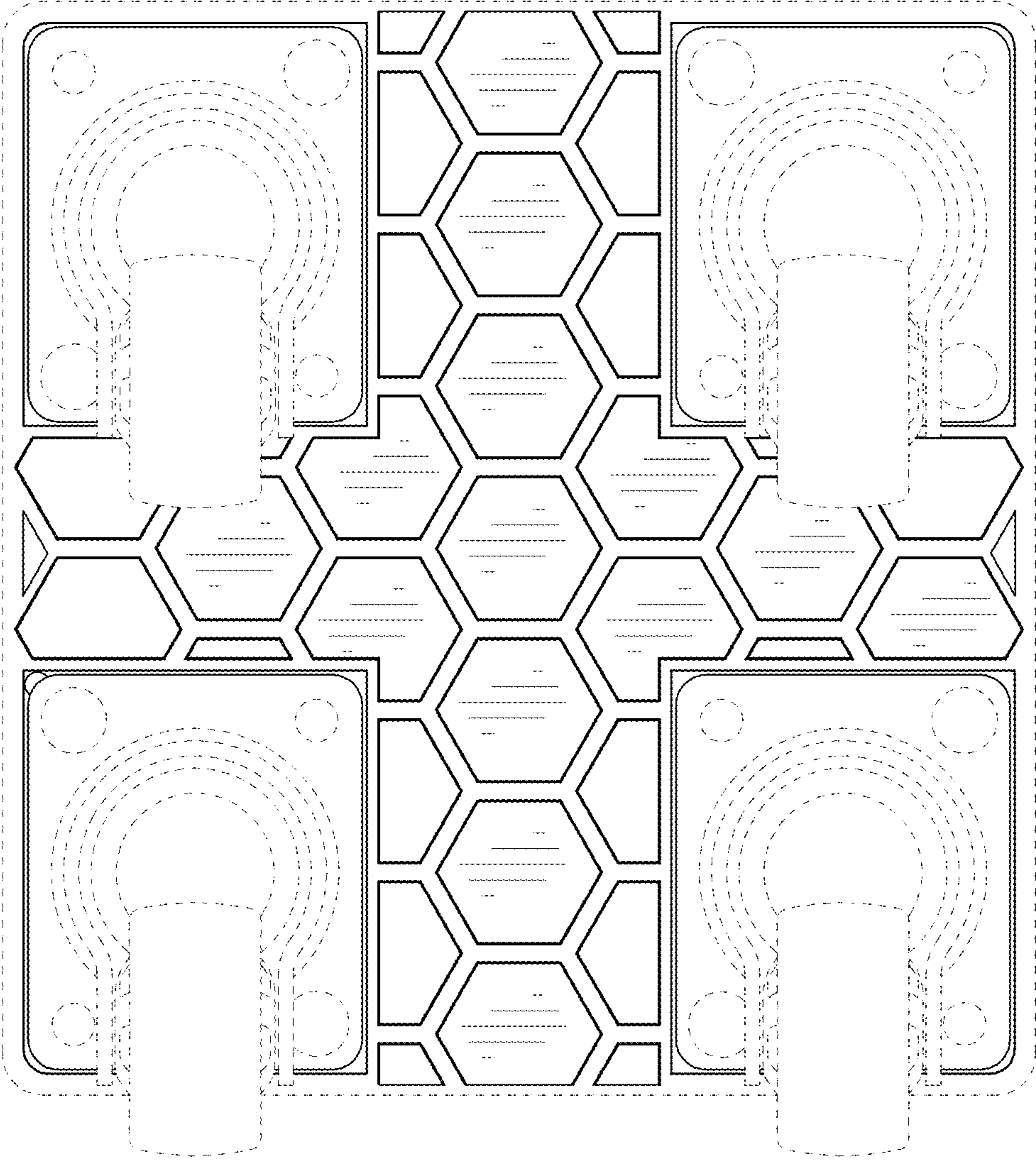


FIG. 8

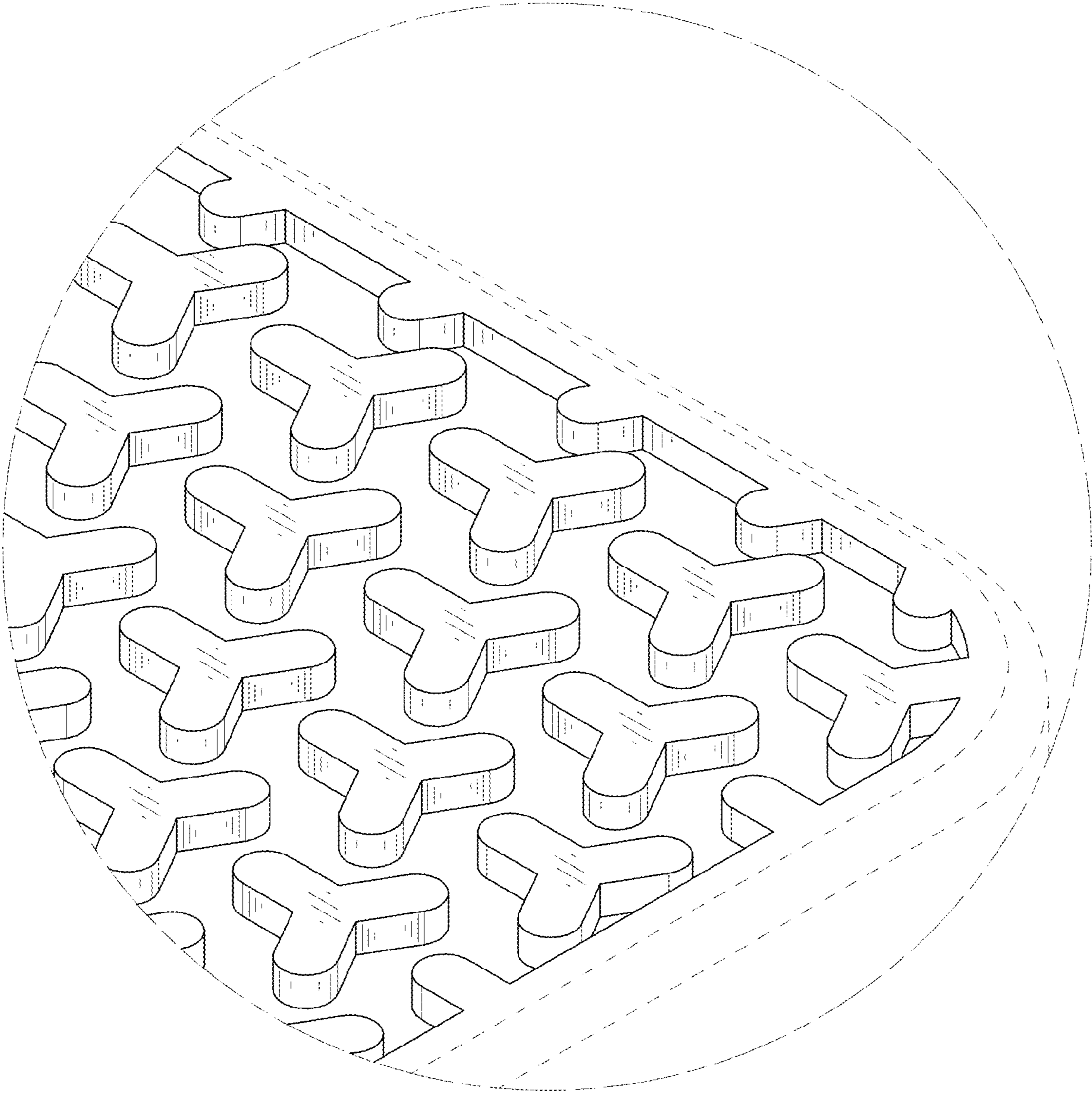


FIG. 9