



US00D981675S

(12) **United States Design Patent** (10) **Patent No.:** **US D981,675 S**
Li (45) **Date of Patent:** **** Mar. 21, 2023**

(54) **FOLDING CART**

(71) Applicant: **Jiangmen jiuyang supply chain co., ltd**, Jiangmen (CN)

(72) Inventor: **Weijing Li**, Jiangmen (CN)

(**) Term: **15 Years**

(21) Appl. No.: **29/842,804**

(22) Filed: **Jun. 16, 2022**

(51) **LOC (14) Cl.** **12-02**

(52) **U.S. Cl.**
USPC **D34/21**

(58) **Field of Classification Search**

USPC D34/12, 14, 17, 20, 21, 27
CPC .. B62B 1/00; B62B 1/008; B62B 1/12; B62B 1/10; B62B 3/002; B62B 3/006; B62B 3/02; B62B 3/10; B62B 3/022; B62B 3/001; B62B 3/067; B62B 3/005; B62B 2205/02; B62B 2205/20; B62B 2205/26; B62B 2205/33

See application file for complete search history.

(56) **References Cited**

U.S. PATENT DOCUMENTS

4,740,010	A *	4/1988	Moskovitz	A47B 31/04 108/177
4,763,799	A *	8/1988	Cohn	F16B 7/105 211/208
D301,652	S *	6/1989	Roberts	D34/21
6,349,962	B1 *	2/2002	Johanson	B62B 3/02 280/42
D555,871	S *	11/2007	Pong	F16B 7/105 D34/17
D561,972	S *	2/2008	Roever	D34/17
D585,621	S *	1/2009	Taillon	D34/21
D618,419	S *	6/2010	Catron	B62B 3/022 D34/12
D675,394	S *	1/2013	Pedersen	D34/17
9,220,338	B2 *	12/2015	Wen	B62B 3/022
D758,688	S *	6/2016	Nai	B62B 3/022 D34/12

(Continued)

OTHER PUBLICATIONS

Nicejy.com Oct. 28, 2022, Luggage carrying kitchen utility folding hand cart shopping serving platform foldable trolleys with wheels, <https://www.nicejy.com/luggage-carrying-kitchen-utility-folding-hand-cart-shopping-serving-platform-foldable-trolleys-with-wheels.html> (Year: 2022).*

Primary Examiner — Cynthia Ramirez

(74) *Attorney, Agent, or Firm* — Rumit Ranjit Kanakia

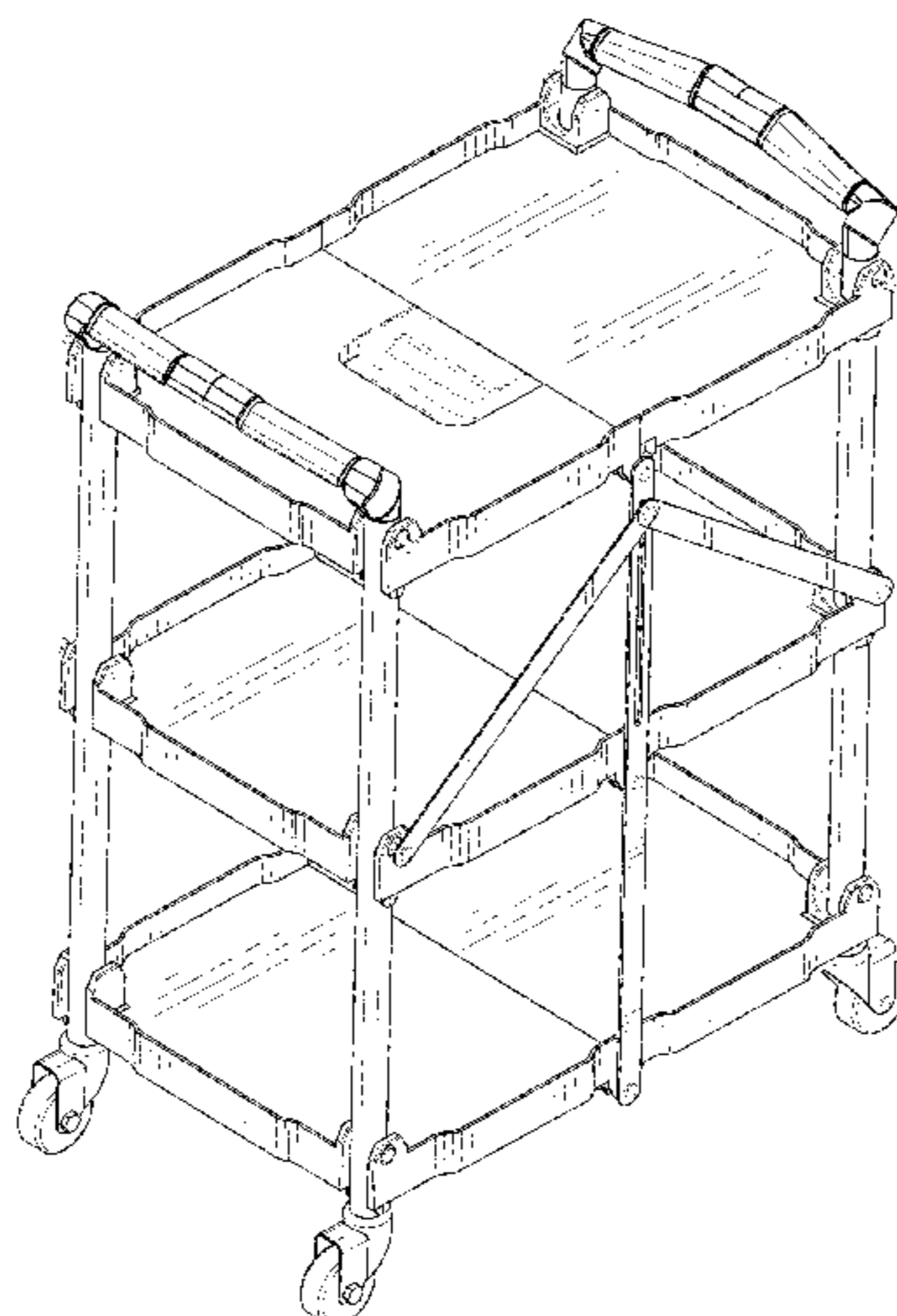
(57) **CLAIM**

The ornamental design for a folding cart, as shown and described.

DESCRIPTION

FIG. 1 is a first perspective view of a folding cart showing my new design;
FIG. 2 is a second perspective view thereof;
FIG. 3 is a front view thereof;
FIG. 4 is a back view thereof;
FIG. 5 is a left side view thereof;
FIG. 6 is a right side view thereof;
FIG. 7 is a top view thereof;
FIG. 8 is a bottom view thereof;
FIG. 9 is a perspective view of another state of the folding cart thereof;
FIG. 10 is an enlarged view of the selected portion in FIG. 2;
FIG. 11 is an enlarged view of the selected portion 11 in FIG. 2; and,
FIG. 12 is an enlarged view of the selected portion 12 in FIG. 2.
The broken lines shown in the drawings depict portions of the folding cart that form no part of the claimed design. The dash-dot broken lines demarcate enlarged areas and form no part of the claimed design.

1 Claim, 12 Drawing Sheets



(56)

References Cited

U.S. PATENT DOCUMENTS

D781,021	S	3/2017	Parker	
D894,290	S	8/2020	Liu	
D921,321	S	6/2021	Pang	
D922,021	S *	6/2021	Phillips	D34/21
D938,126	S *	12/2021	You	D34/21
D957,783	S *	7/2022	Chiao	B62B 3/005
				D34/21
D966,645	S *	10/2022	Stobar	A47F 5/00
				D34/21
2013/0146553	A1 *	6/2013	Preidt	A47F 5/00
				211/153
2016/0185371	A1 *	6/2016	Churchvara	B62B 3/005
				280/33.998
2020/0180671	A1 *	6/2020	Cao	B62B 3/025
2021/0086815	A1 *	3/2021	Kopp	B60B 33/045
2021/0146981	A1 *	5/2021	You	B62B 3/022
2021/0354741	A1 *	11/2021	Maples	B62B 3/022
2022/0126899	A1 *	4/2022	Moore	B62B 3/02

* cited by examiner

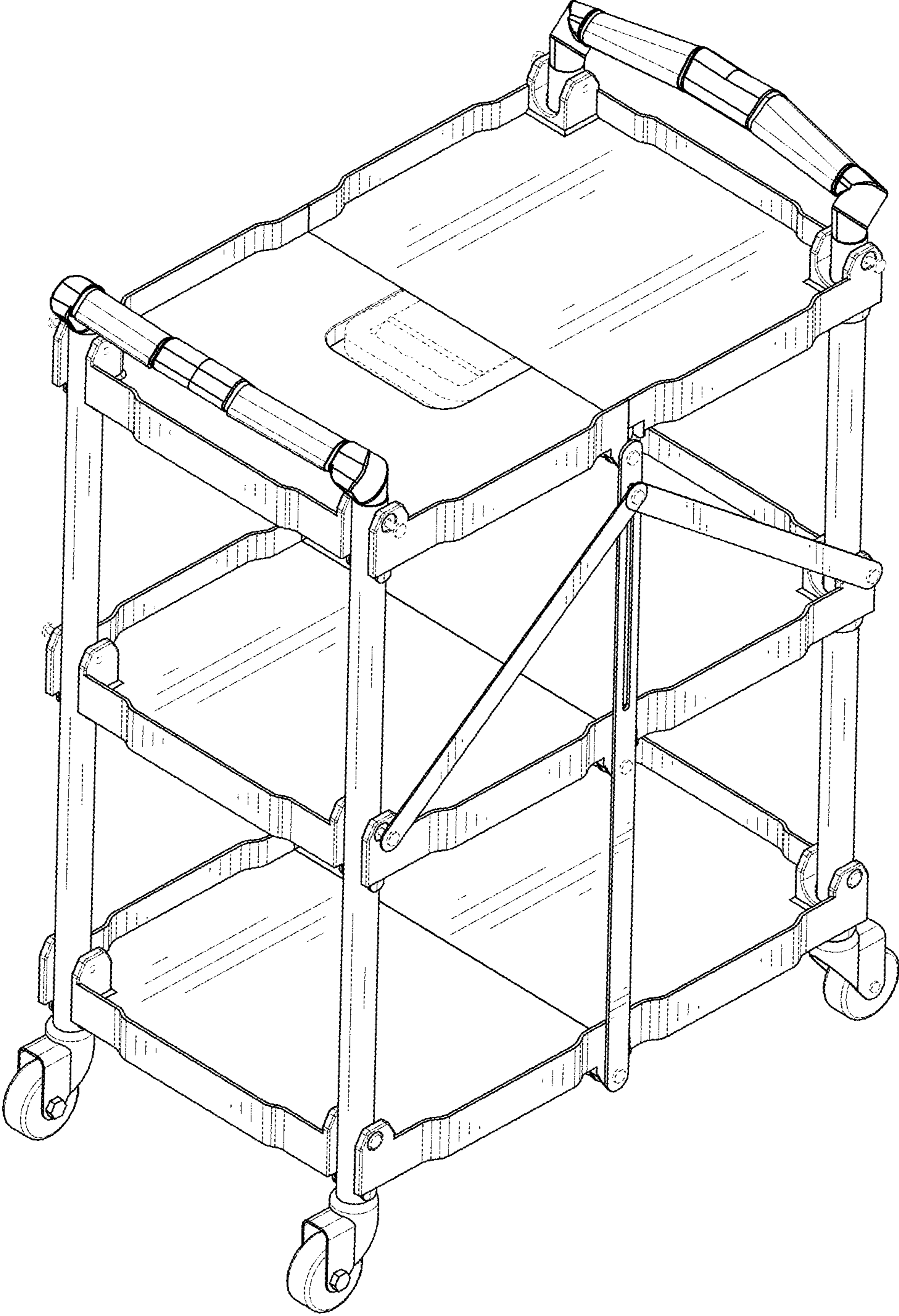


FIG. 1

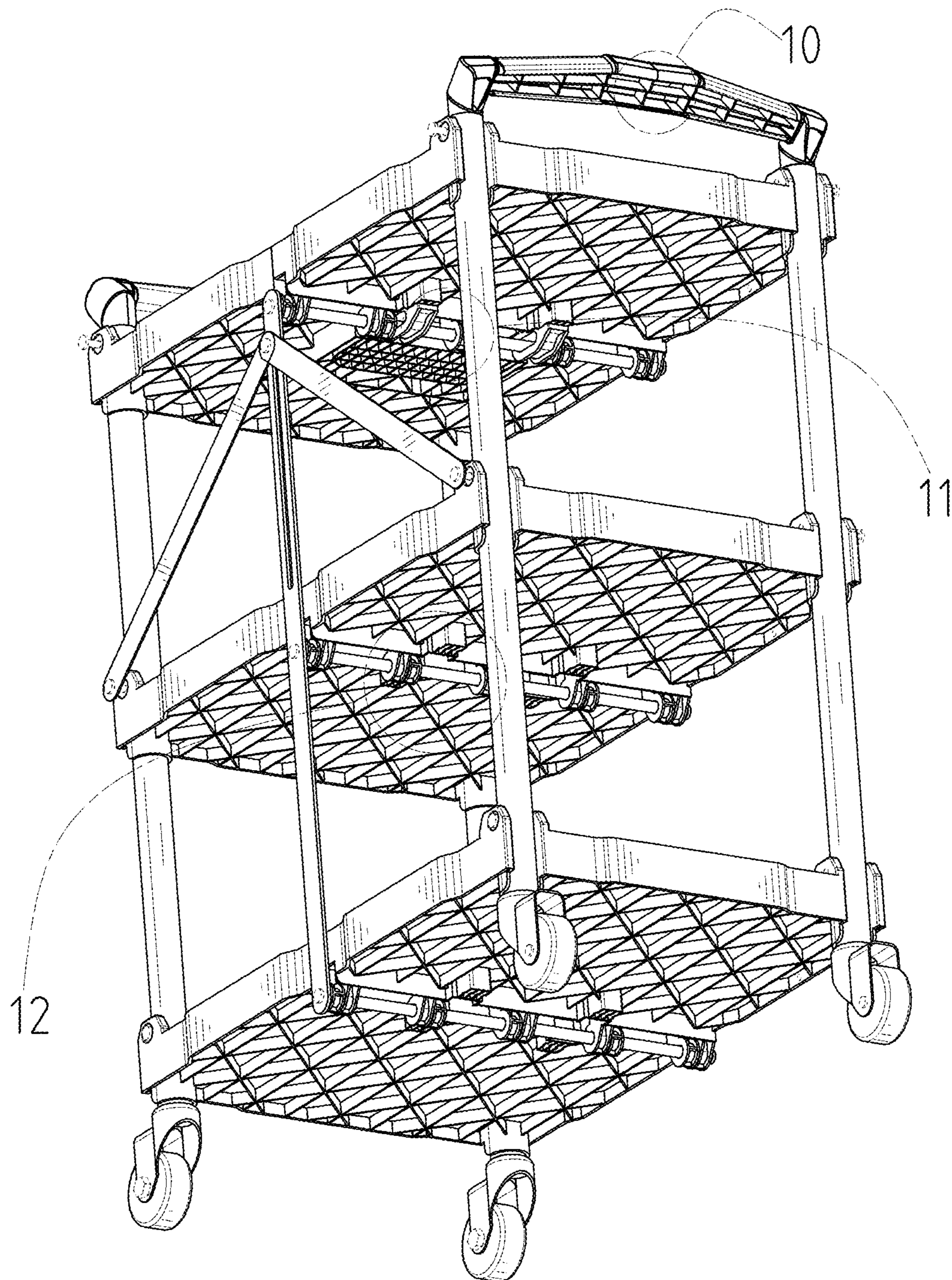


FIG. 2

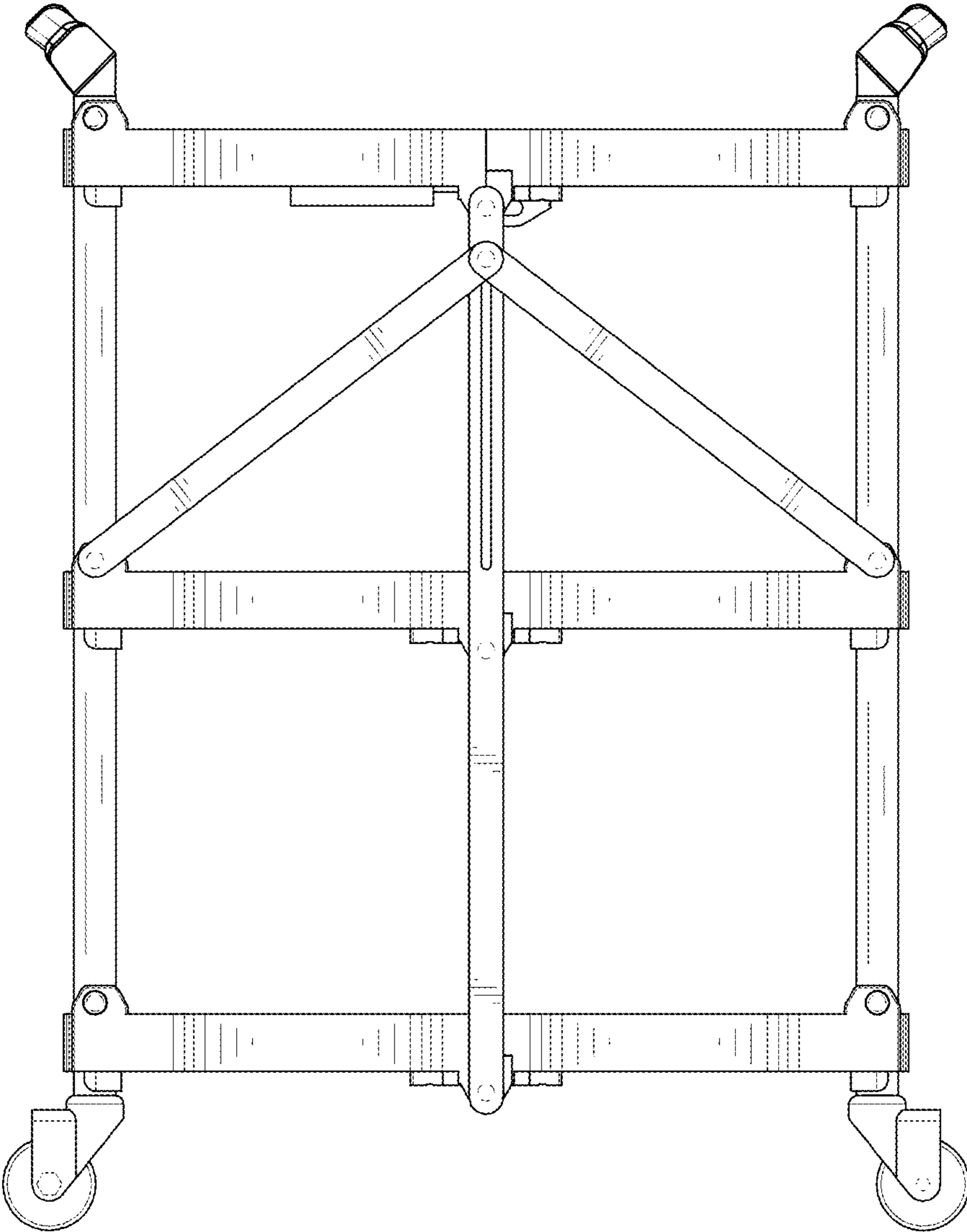


FIG. 3

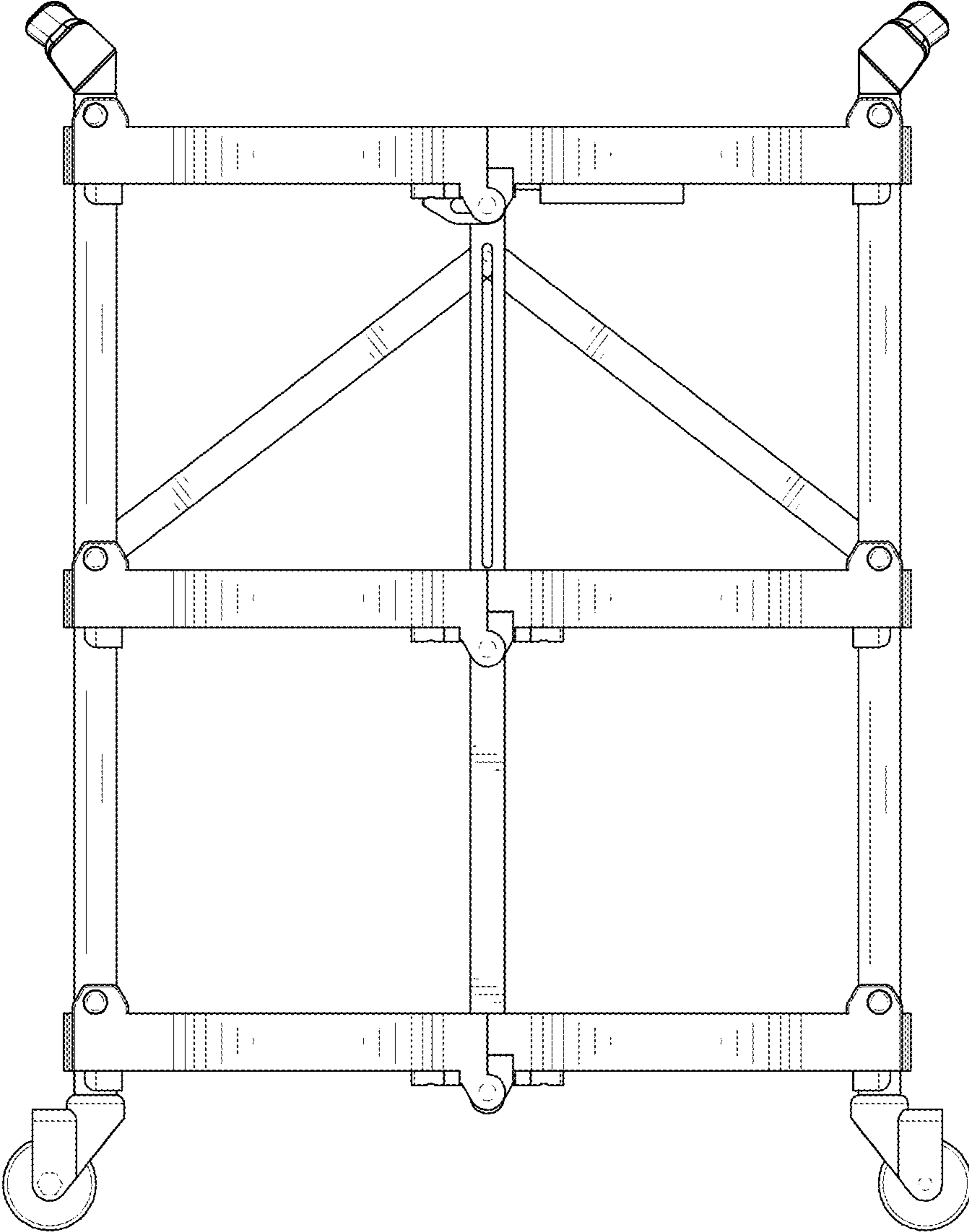


FIG. 4

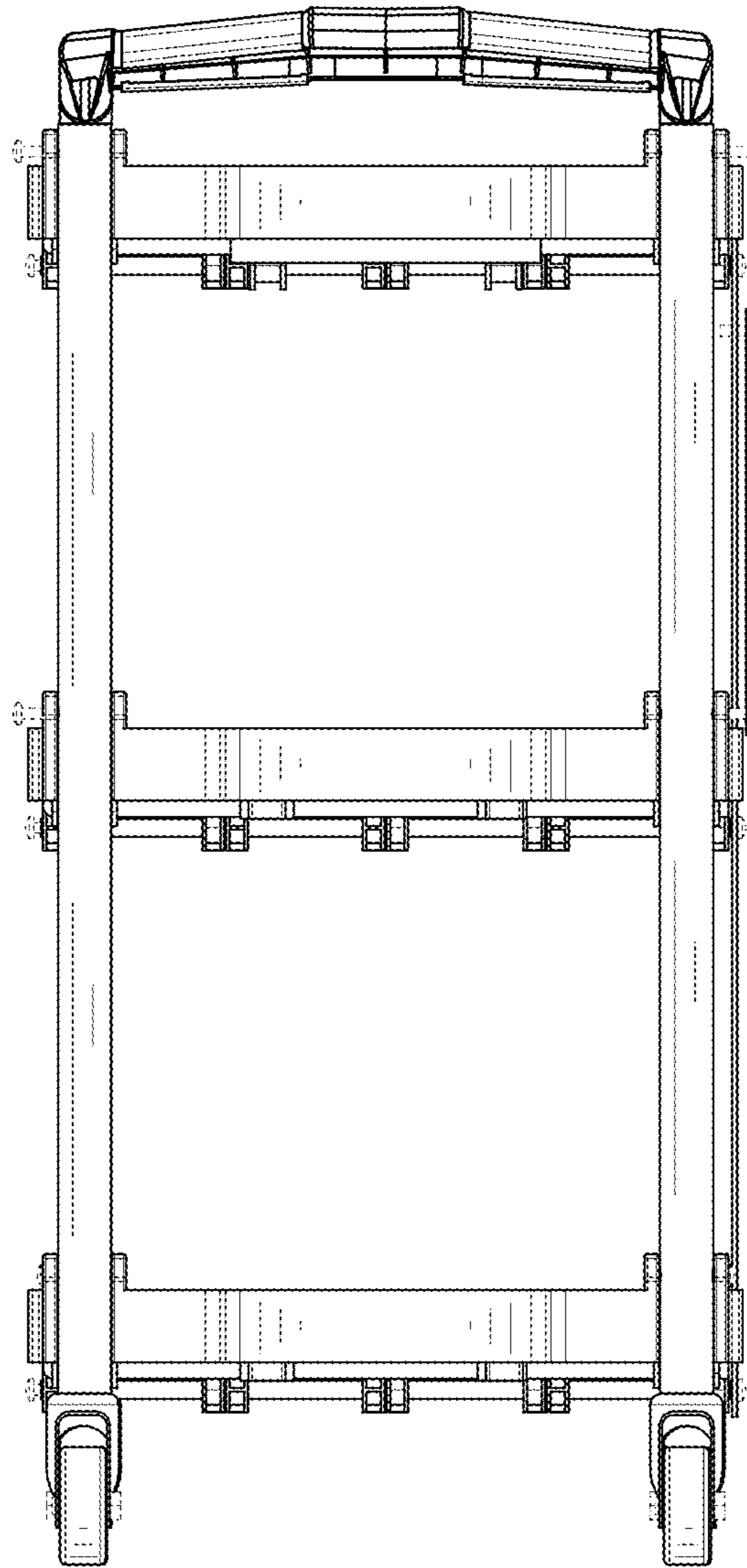


FIG. 5

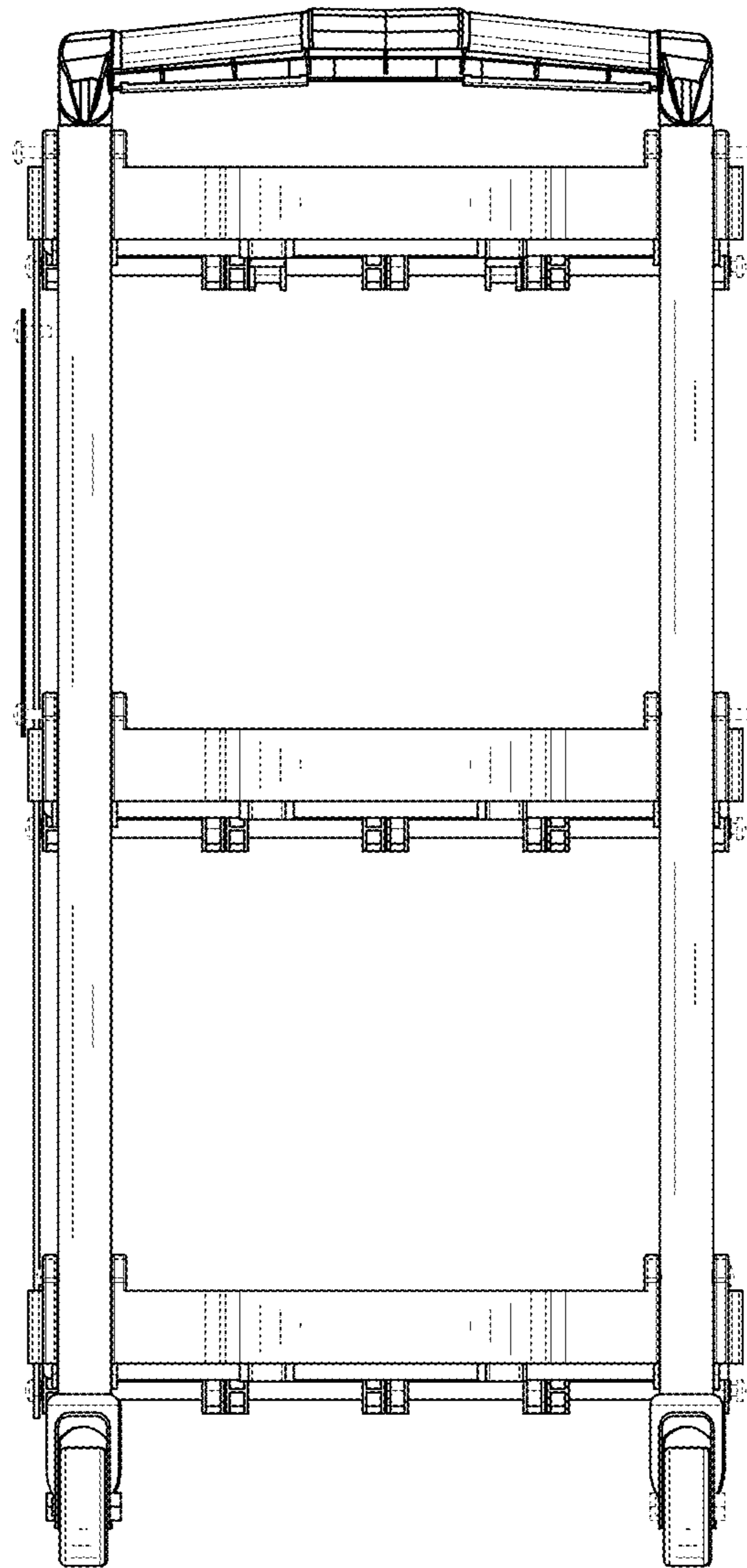


FIG. 6

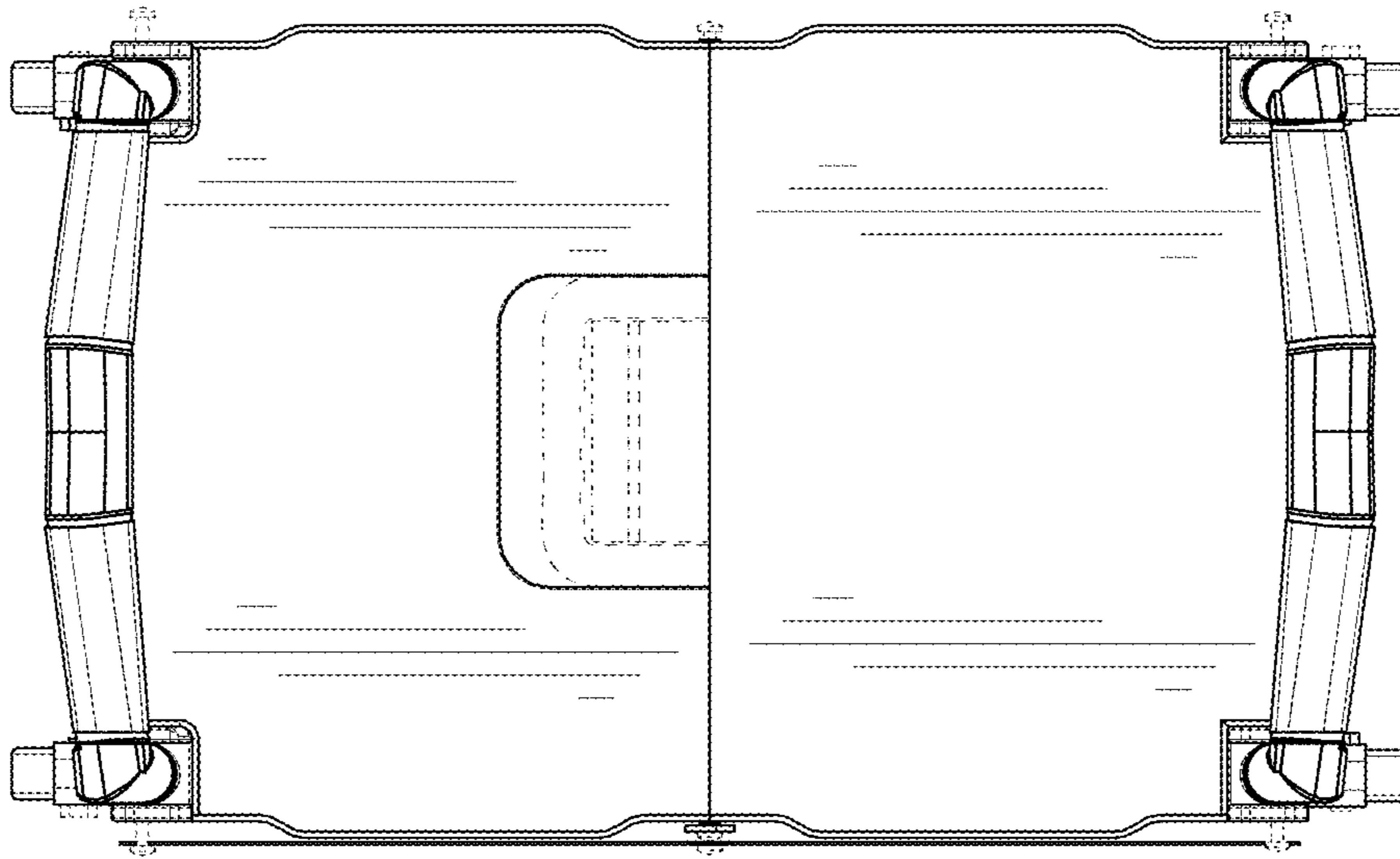


FIG. 7

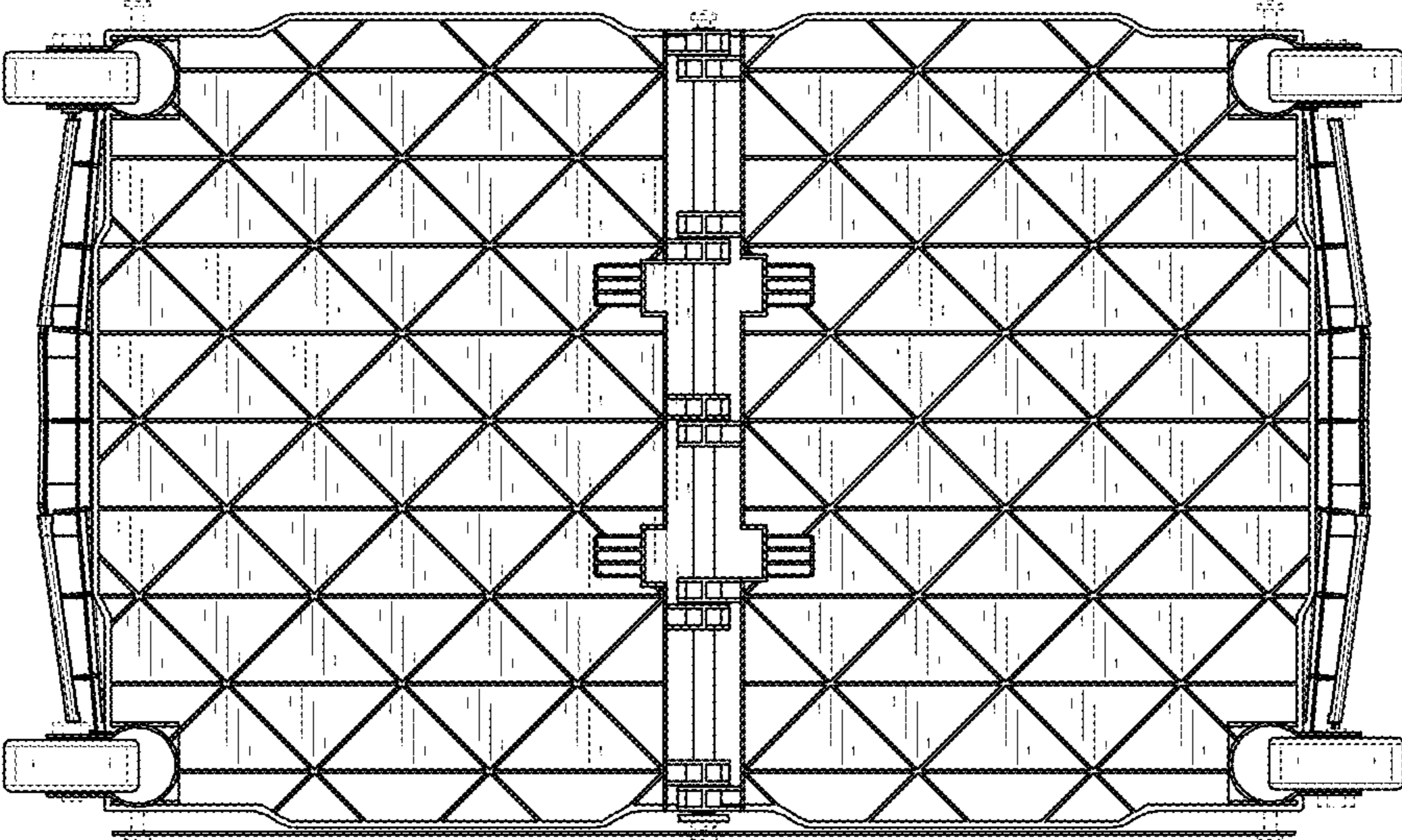


FIG. 8

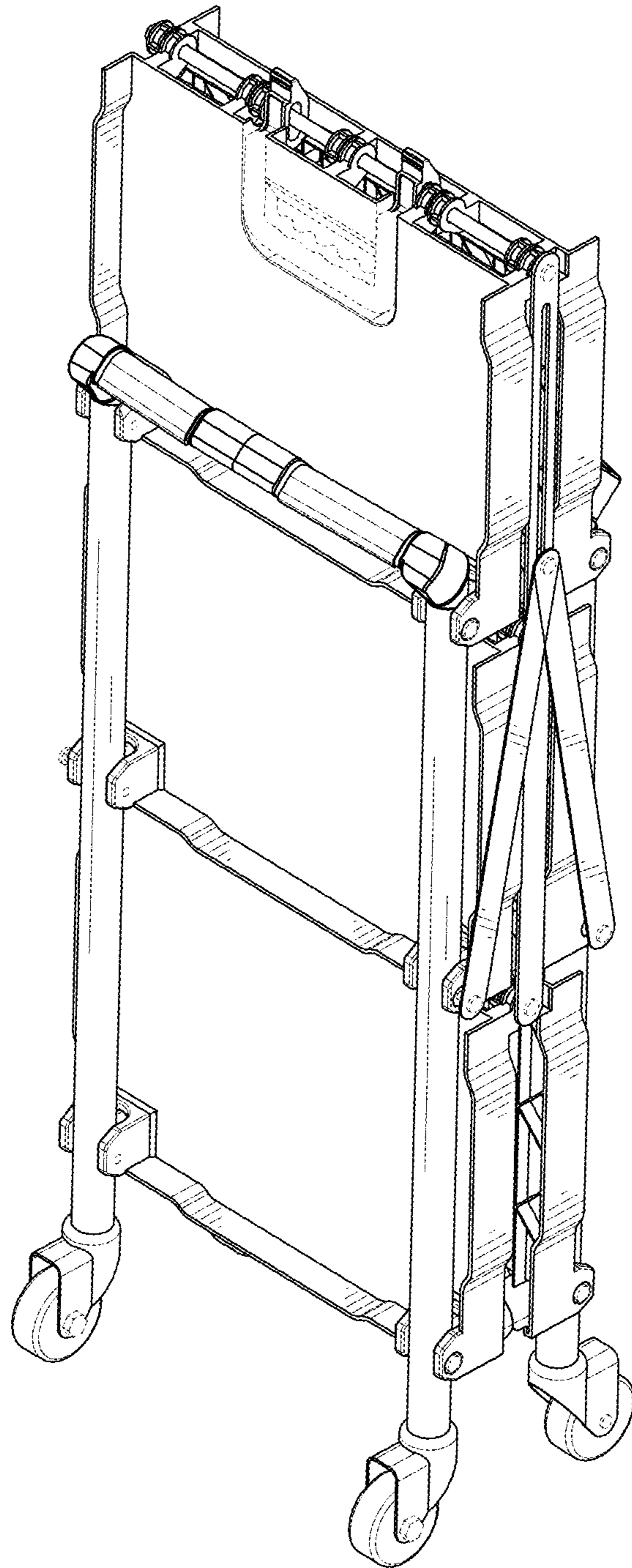


FIG. 9

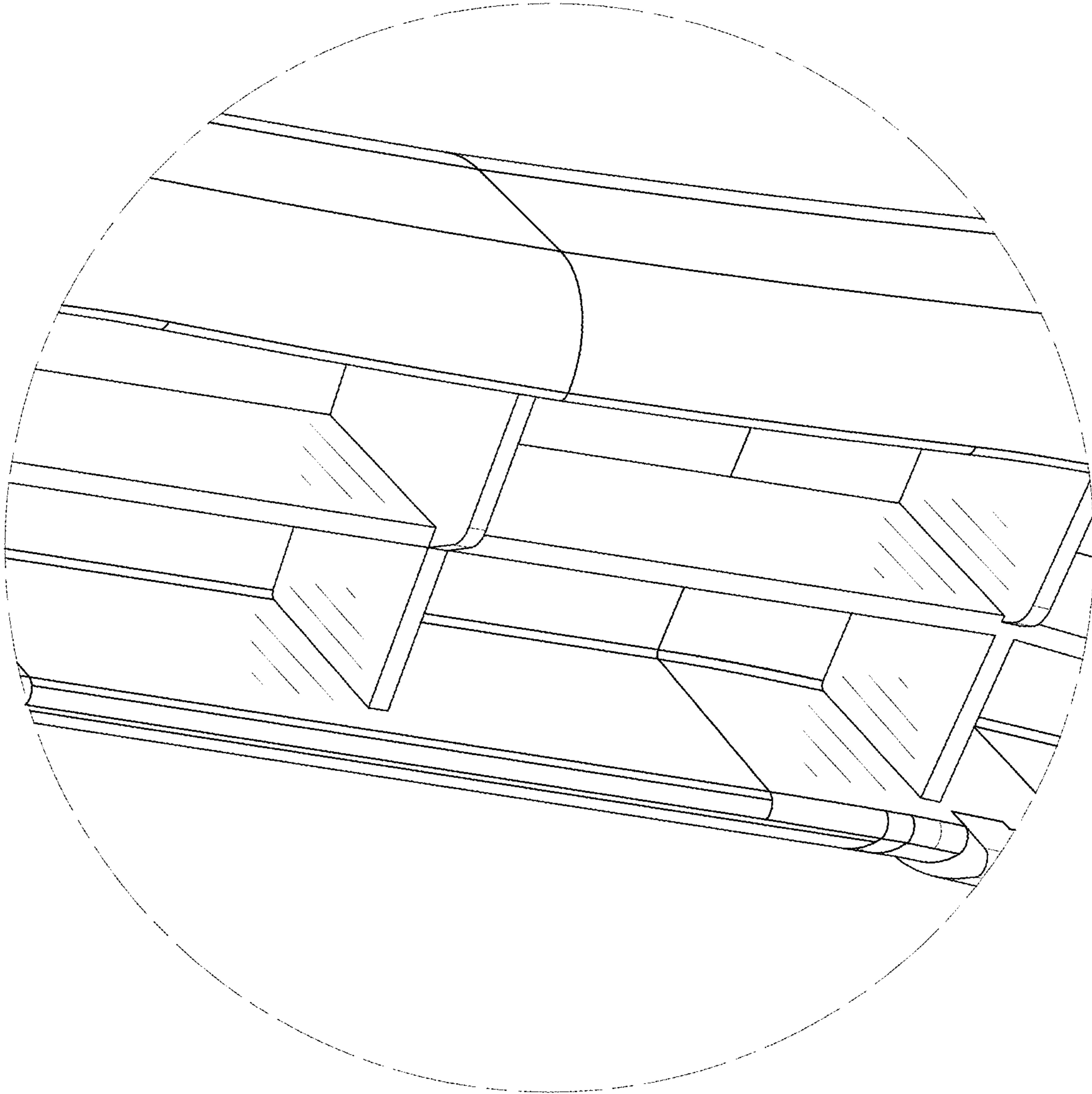


FIG. 10

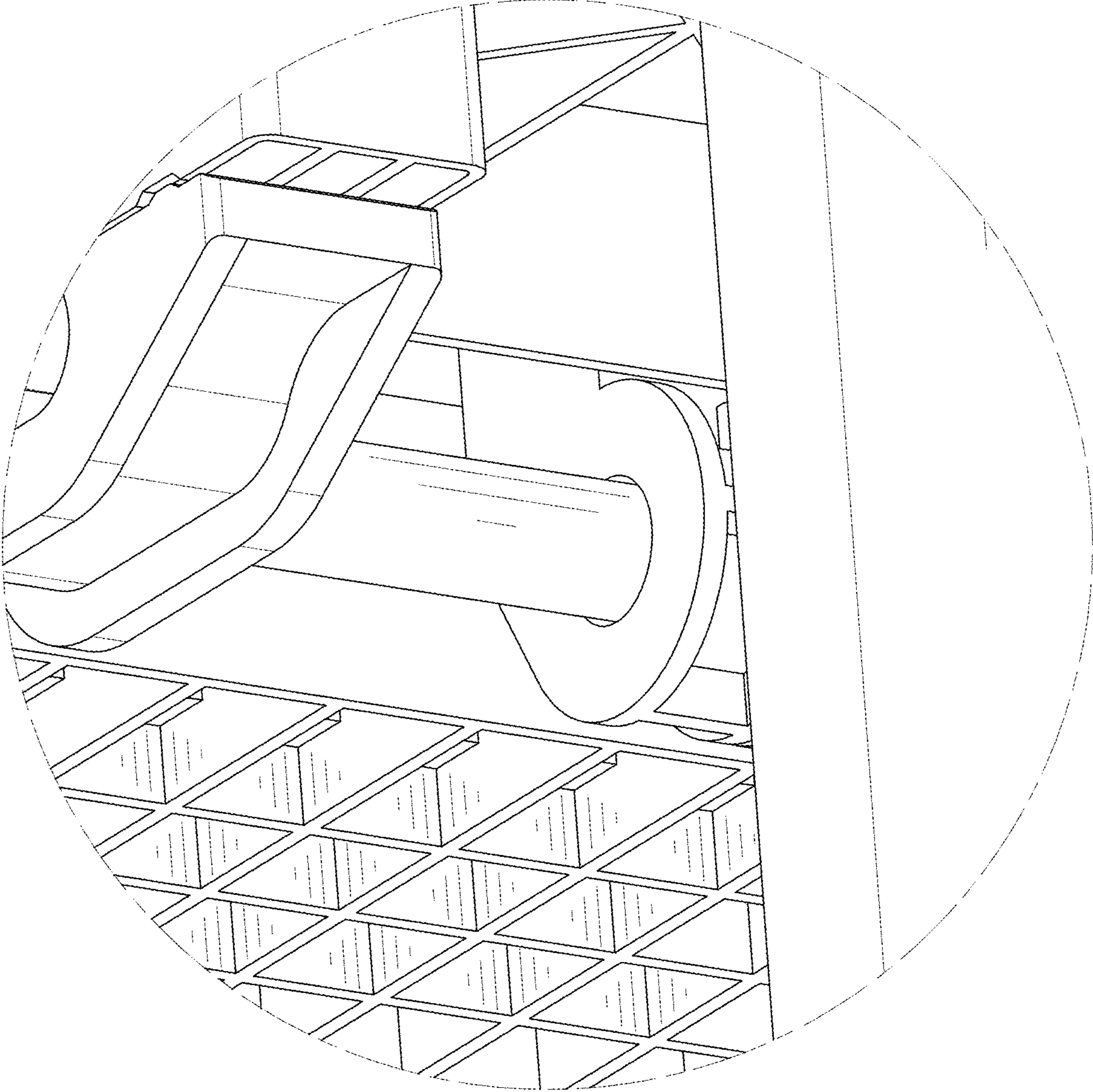


FIG. 11

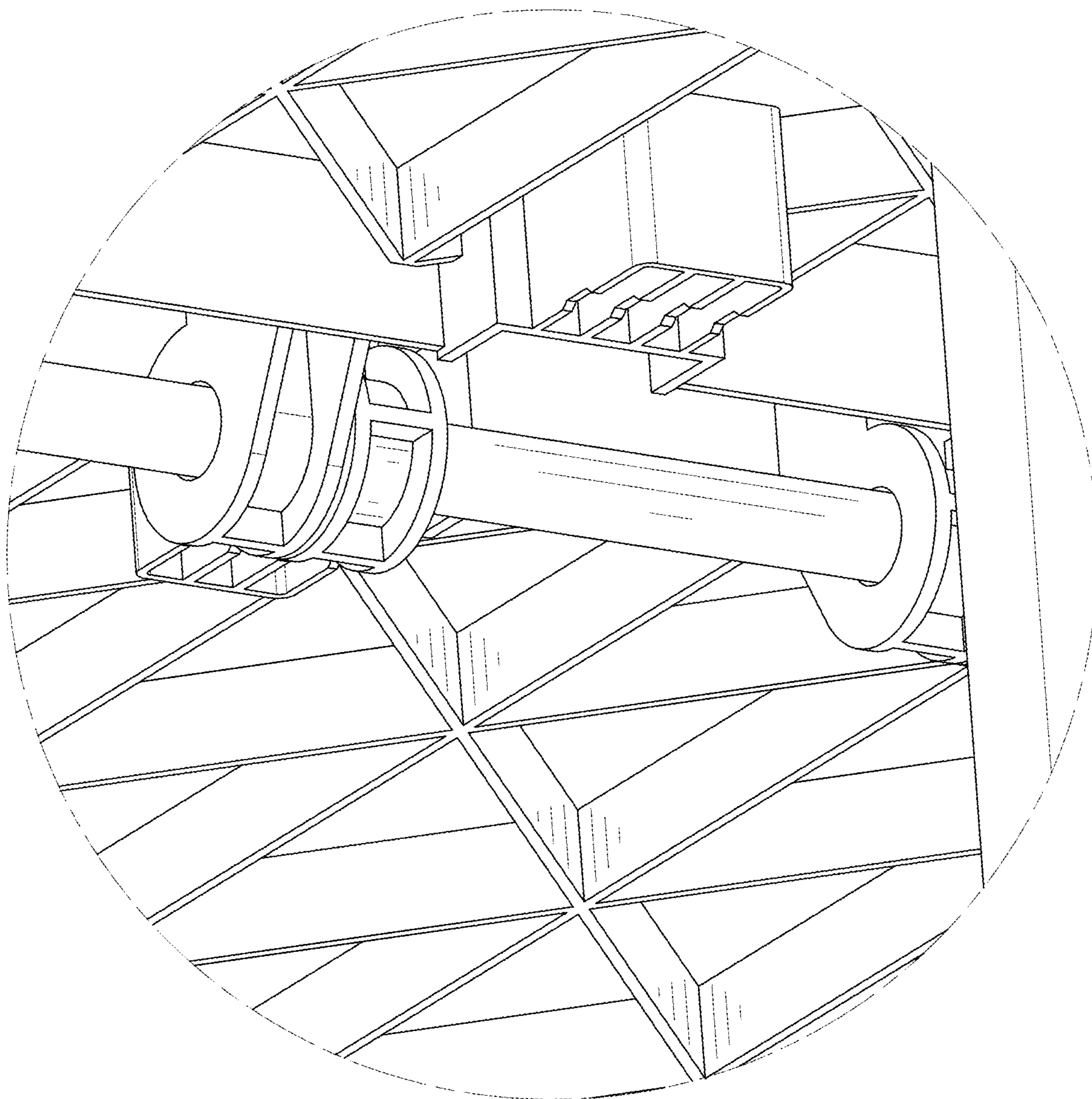


FIG. 12