



US00D981669S

(12) **United States Design Patent**
Deng

(10) **Patent No.:** **US D981,669 S**

(45) **Date of Patent:** **** Mar. 21, 2023**

(54) **CLEANING ROBOT**

(71) Applicant: **Shenzhen Seauto Technology Co., Ltd., Shenzhen (CN)**

(72) Inventor: **Zhuoming Deng, Shenzhen (CN)**

(73) Assignee: **Shenzhen Seauto Technology Co., Ltd., Shenzhen (CN)**

(**) Term: **15 Years**

(21) Appl. No.: **29/844,106**

(22) Filed: **Jun. 27, 2022**

(30) **Foreign Application Priority Data**

Jun. 9, 2022 (CN) 202230351267.0

(51) **LOC (14) Cl.** **15-05**

(52) **U.S. Cl.**
USPC **D32/21**

(58) **Field of Classification Search**
USPC D32/1, 15-19, 21-23
CPC E04H 4/1654; E04H 4/169; E04H 4/12;
E04H 4/1281; E04H 4/1209; E04H
4/1672; A47L 9/281

See application file for complete search history.

(56) **References Cited**

U.S. PATENT DOCUMENTS

D233,647 S *	11/1974	Diehl	D32/23
D256,245 S *	8/1980	Essex	D32/23
D258,821 S *	4/1981	Wareham	D32/23
D537,586 S *	2/2007	Renner	D32/23
D659,920 S *	5/2012	Lee	D32/21
D725,331 S *	3/2015	Springell	D32/21
D773,131 S *	11/2016	Kim	D32/21
D784,634 S *	4/2017	Kim	D32/21
D786,515 S *	5/2017	Pindzola	D32/1
D802,860 S *	11/2017	Kim	D32/21
D874,079 S *	1/2020	Ebrahimi Afrouzi	D32/21

10,765,284 B2 *	9/2020	Song	A47L 9/281
D902,509 S *	11/2020	Ebrahimi Afrouzi	D32/21
D919,910 S	5/2021	Li	
D923,070 S *	6/2021	Hwangbo	D15/199
D932,718 S	10/2021	Yan et al.	
D962,567 S *	8/2022	Tang	D32/21

FOREIGN PATENT DOCUMENTS

CN 307690605 * 11/2022

OTHER PUBLICATIONS

Amazon.com _ Renewed Aiper Cordless Automatic Pool Cleaner
https://www.amazon.com/AIPER-SMART-Automatic-Lightweight-Waterproof/dp/B08R9JSX5B/ref=sr_1_10 (Year: 2021).*

* cited by examiner

Primary Examiner — Kevin K Rudzinski

Assistant Examiner — Richard E Yenchsky

(74) *Attorney, Agent, or Firm* — ScienBiziP, P.C.

(57) **CLAIM**

The ornamental design for a cleaning robot, as shown and described.

DESCRIPTION

FIG. 1 is a front, right and top perspective view of a cleaning robot, showing my design.

FIG. 2 is a rear, left and bottom perspective view thereof.

FIG. 3 is a front elevation view thereof.

FIG. 4 is a rear elevation view thereof.

FIG. 5 is a left side elevation view thereof.

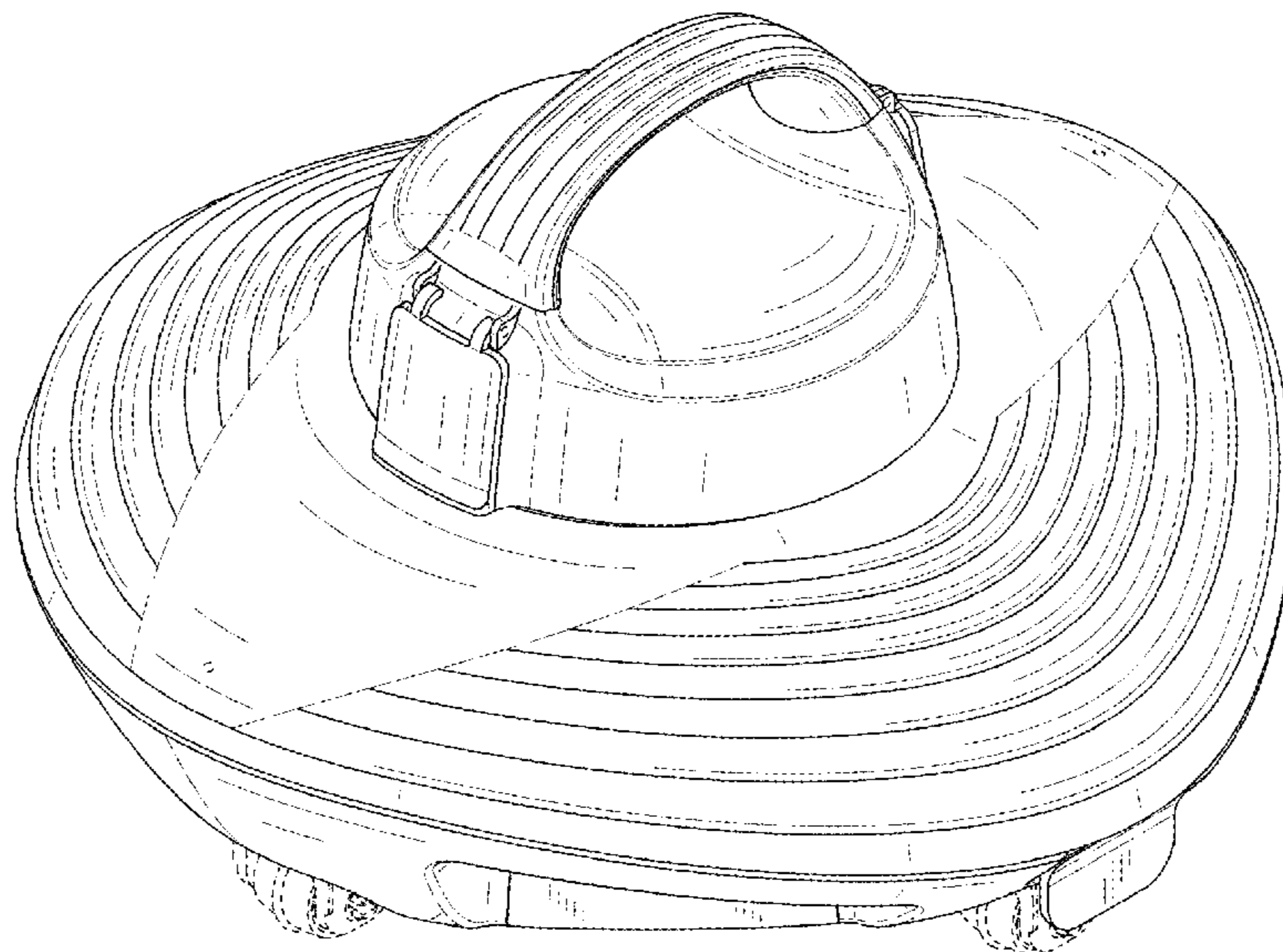
FIG. 6 is a right side elevation view thereof.

FIG. 7 is a top plan view thereof; and,

FIG. 8 is a bottom plan view thereof.

The broken lines shown in the drawings are included for the purpose of illustrating portions of the cleaning robot that form no part of the claimed design.

1 Claim, 8 Drawing Sheets



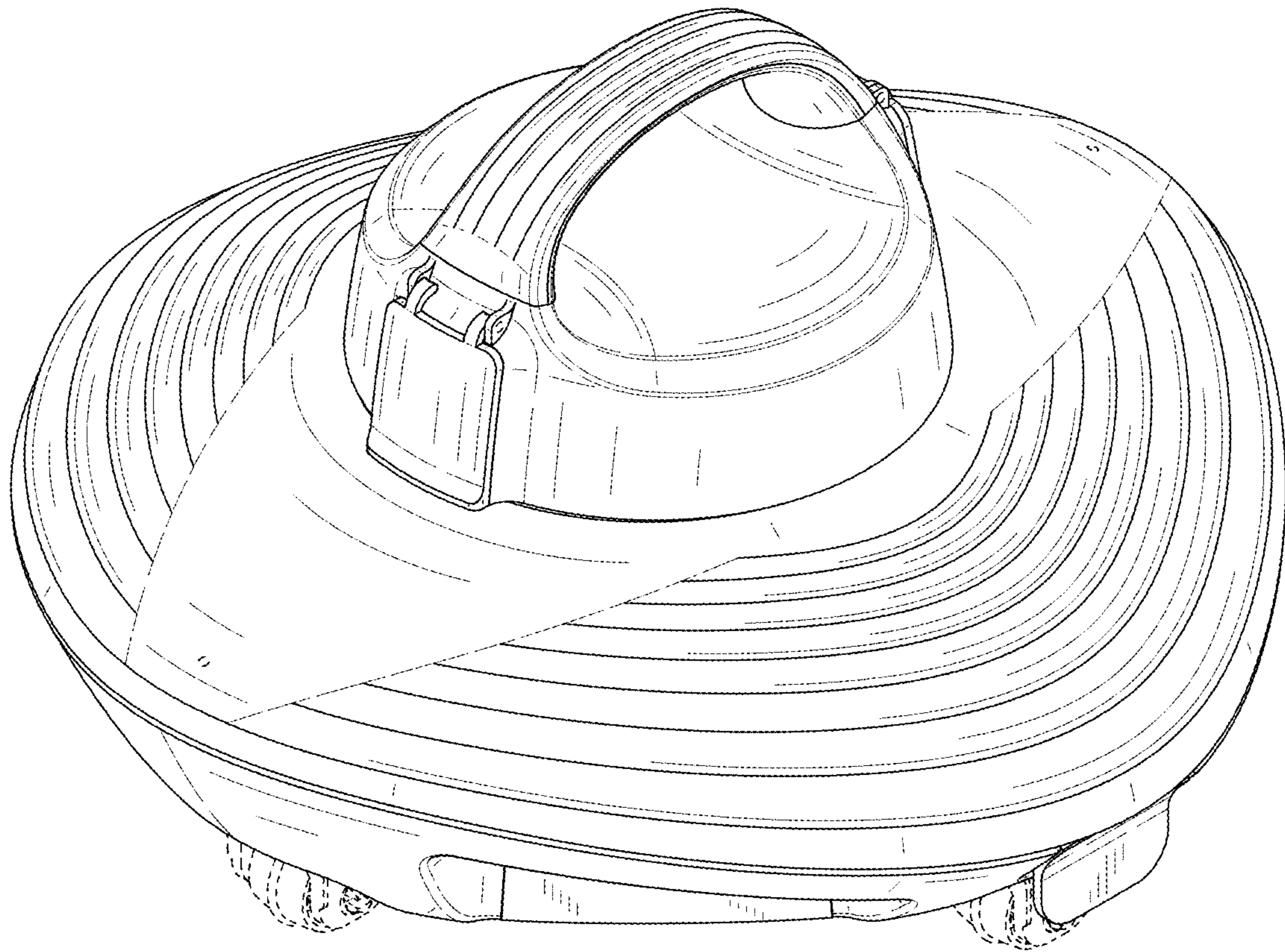


FIG. 1

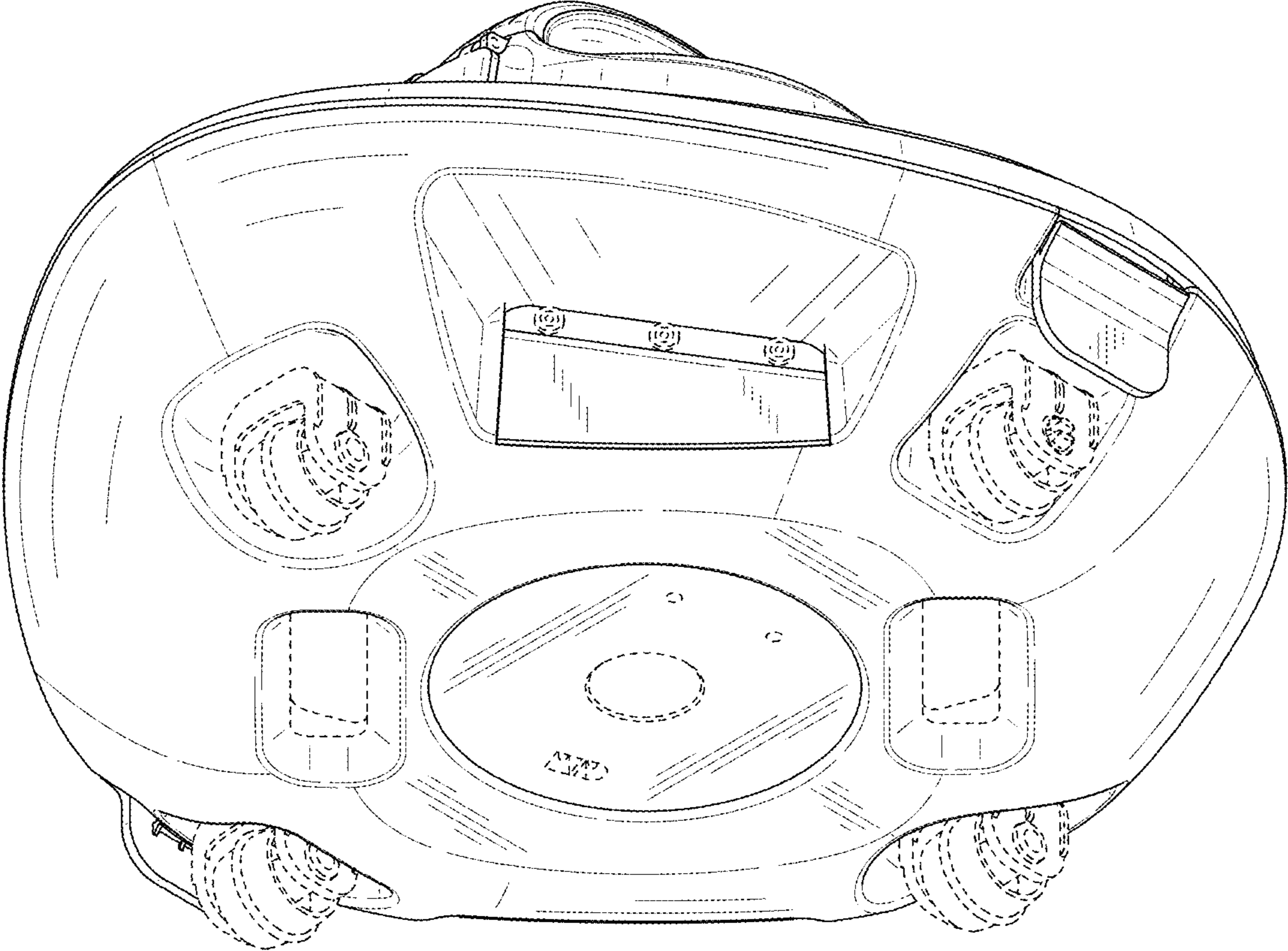


FIG. 2

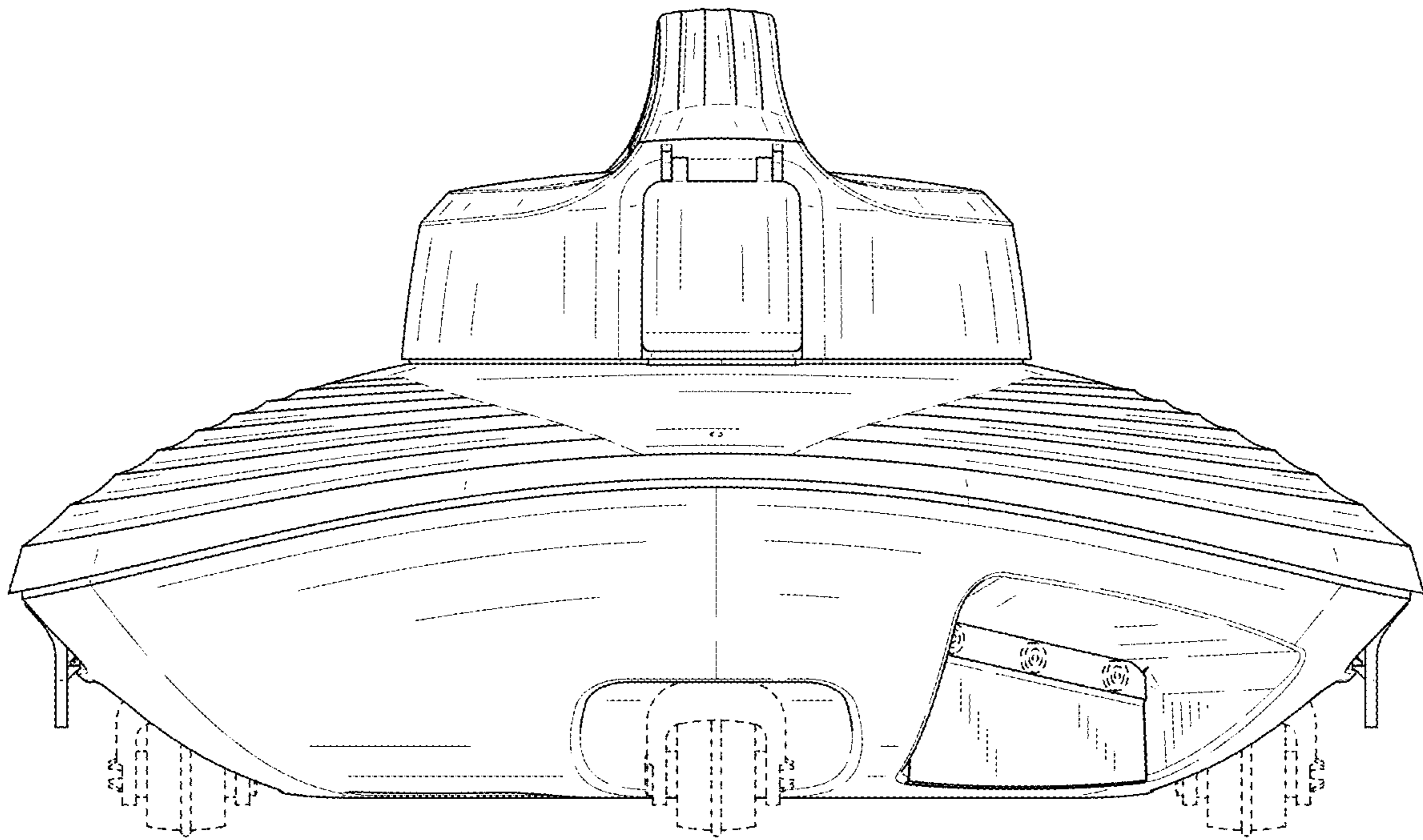


FIG. 3

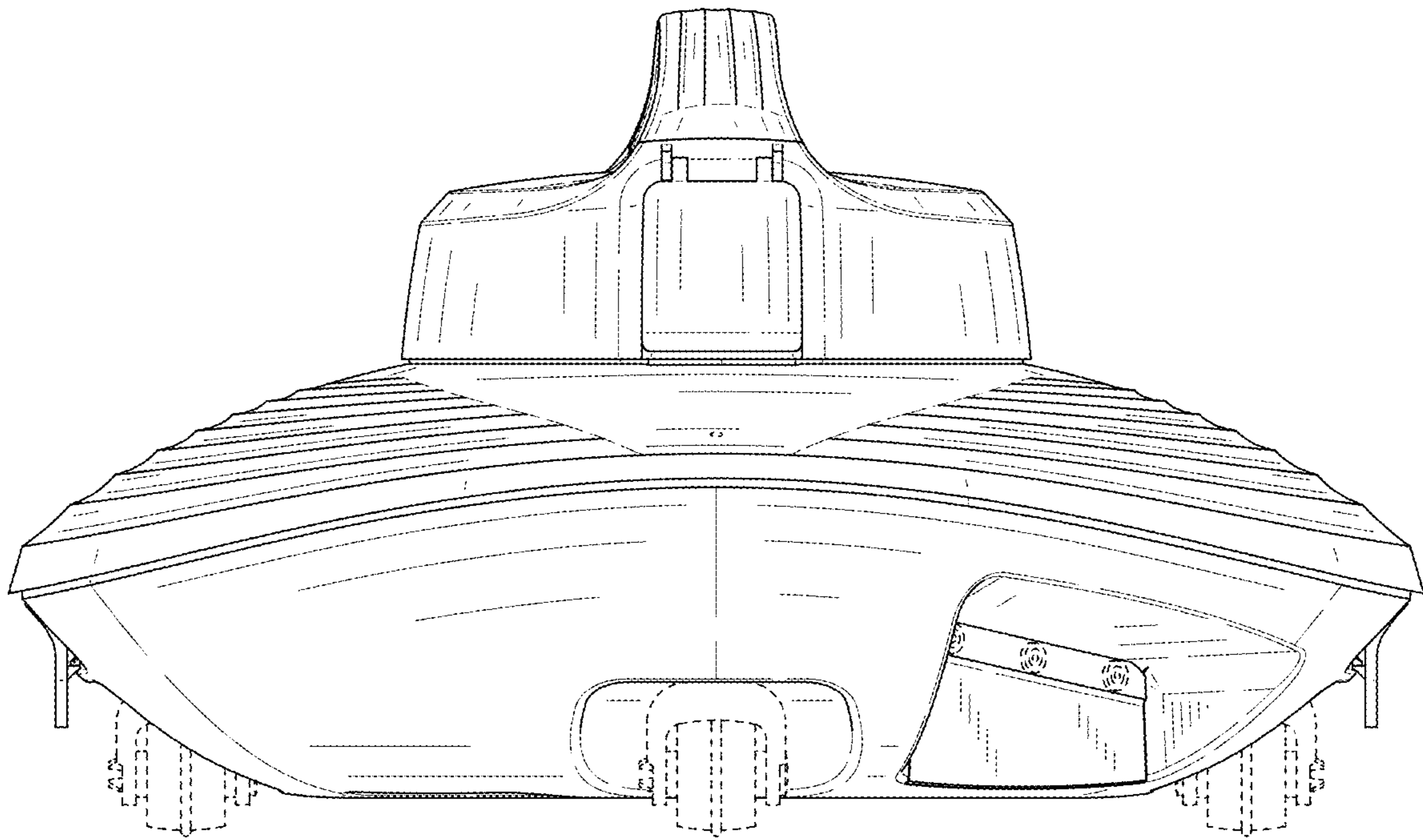


FIG. 4

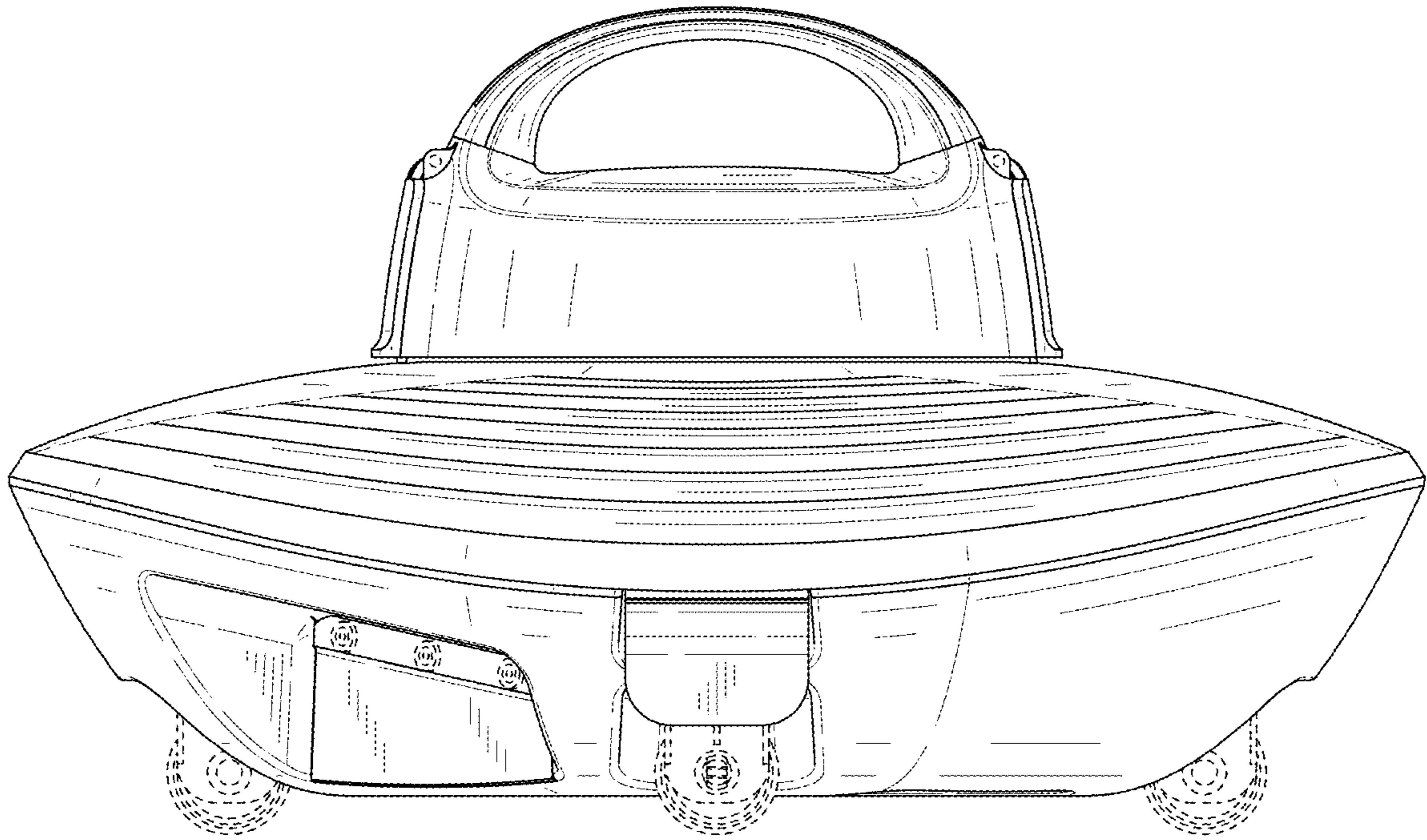


FIG. 5

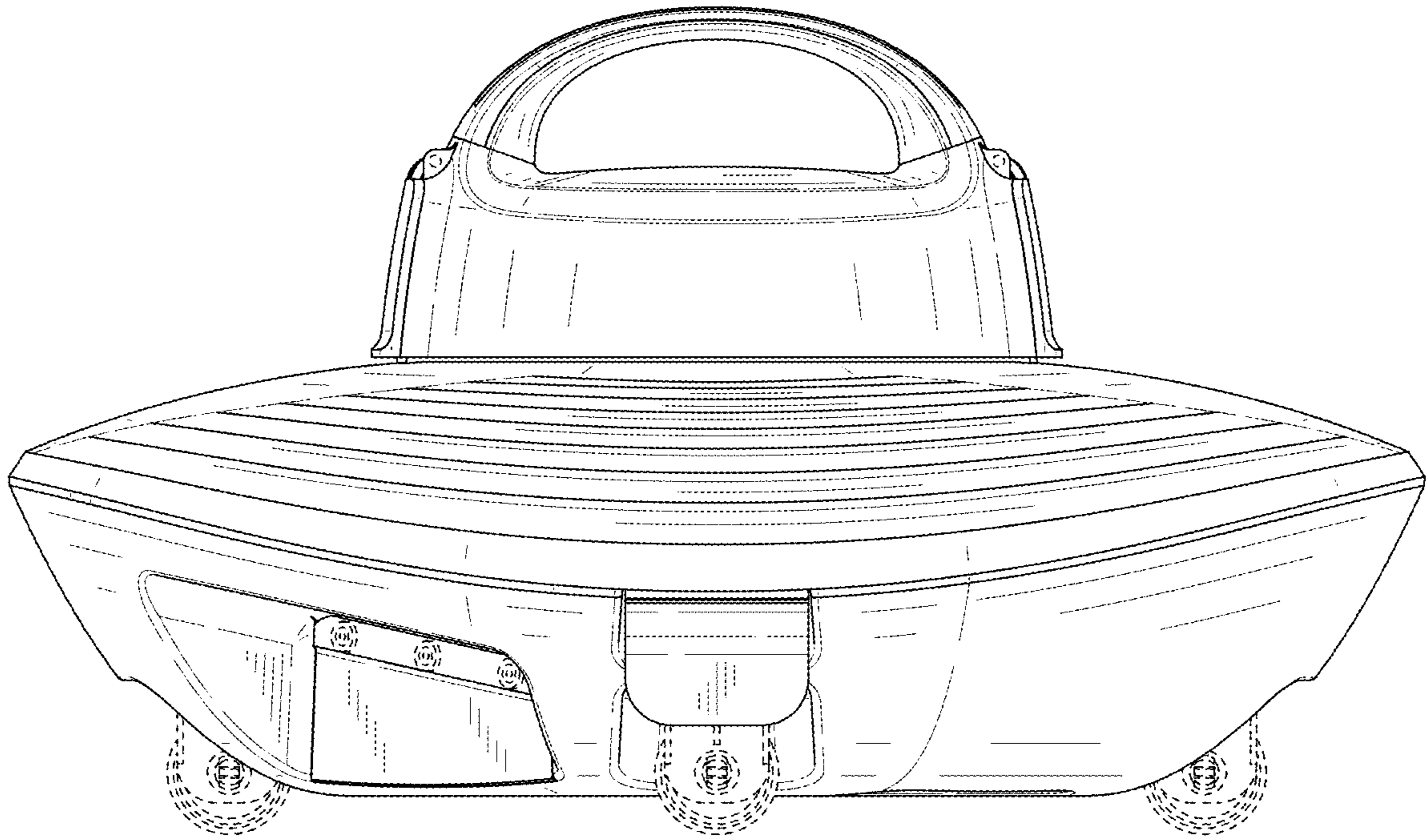


FIG. 6

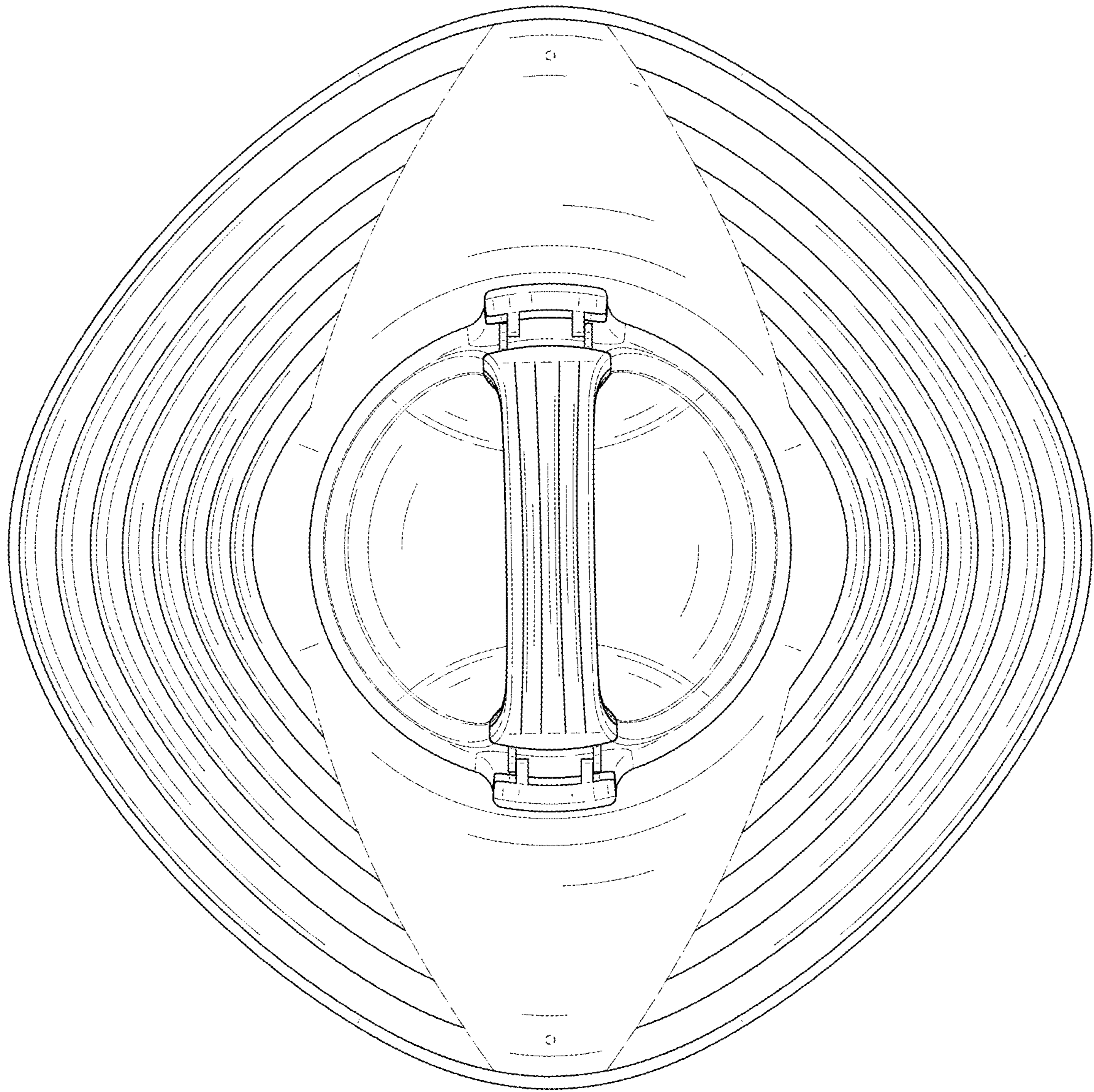


FIG. 7

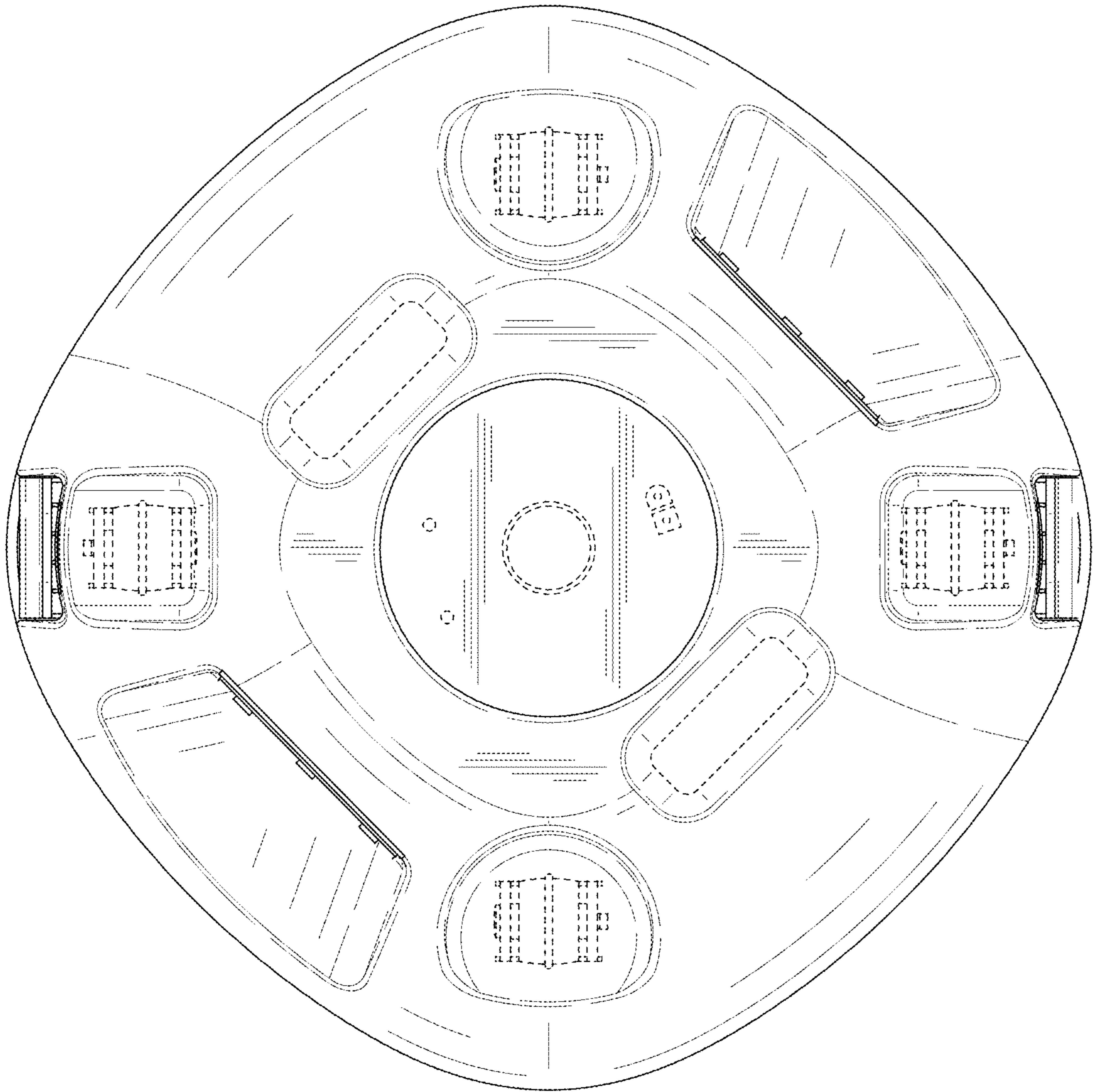


FIG. 8