



US00D981668S

(12) **United States Design Patent**
Eskridge et al.

(10) **Patent No.:** **US D981,668 S**
(45) **Date of Patent:** **** Mar. 21, 2023**

(54) **VACUUM CLEANER**

- (71) Applicant: **BLACK & DECKER INC.**, New Britain, CT (US)
- (72) Inventors: **Evan G. Eskridge**, Baltimore, MD (US); **Samuel P. Thompson**, Newcastle Upon Tyne (GB); **Tylan A. Tschopp**, Baltimore, MD (US)
- (73) Assignee: **BLACK & DECKER INC.**, New Britain, CT (US)
- (**) Term: **15 Years**
- (21) Appl. No.: **29/791,769**
- (22) Filed: **Feb. 8, 2022**

Related U.S. Application Data

- (63) Continuation of application No. 29/690,007, filed on May 3, 2019, now Pat. No. Des. 946,839.
- (51) **LOC (14) Cl.** **15-05**
- (52) **U.S. Cl.**
USPC **D32/21; D32/31**
- (58) **Field of Classification Search**
USPC D32/1, 15, 21, 23, 25, 31; D12/133; D15/144
CPC A47L 5/365; A47L 7/0004; A47L 7/0019; A47L 9/0009; A47L 9/0036; A47L 9/127; A47L 9/1409; A47L 9/22; A47L 9/242; A47L 9/28; A47L 9/32; A47L 9/325; B01D 2279/55
See application file for complete search history.

(56) **References Cited**

U.S. PATENT DOCUMENTS

- D266,612 S * 10/1982 Hug D32/23
- D287,658 S * 1/1987 Berfield D32/31
- D315,624 S * 3/1991 Kimura D32/23

(Continued)

FOREIGN PATENT DOCUMENTS

- CA 105914 * 5/2005
- CA 135450 * 12/2020
- WO D208340-025 * 5/2021

OTHER PUBLICATIONS

Craftsman 20 gal Corded Wet/Dry Vacuum, available in acehardware.com, customer review oldest date Mar. 12, 2020 [online], [site visited Mar. 12, 2022], Available from the internet URL: <https://www.acehardware.com/departments/tools/wet-dry-vacuums/wetdry-vacuums/2560233> (Year: 2020).*

(Continued)

Primary Examiner — Jennifer Rivard
Assistant Examiner — Jennylou M Binas
(74) *Attorney, Agent, or Firm* — Adan Ayala

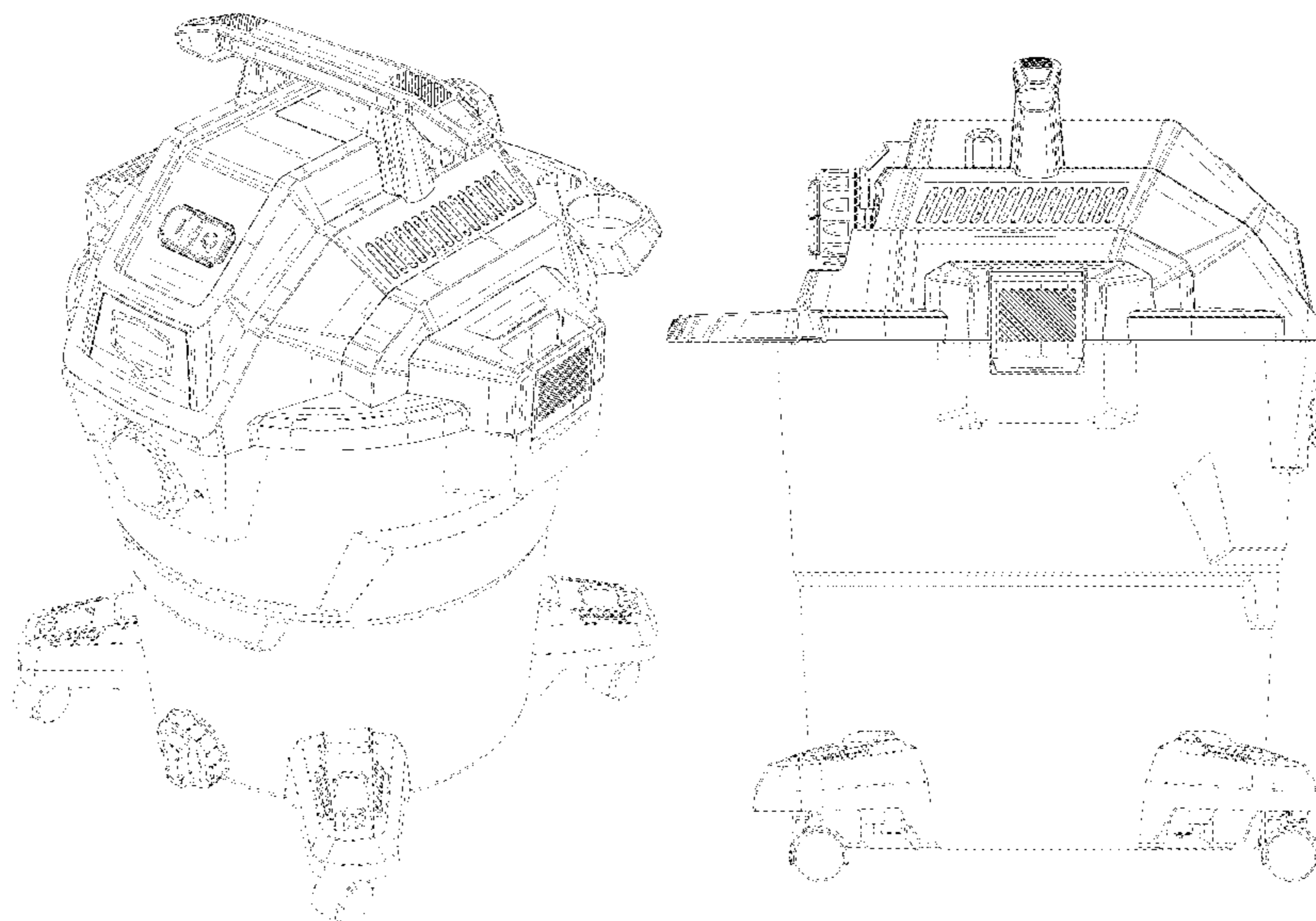
(57) **CLAIM**

The ornamental design for a vacuum cleaner, as shown and described.

DESCRIPTION

FIG. 1 is a front perspective view of a vacuum cleaner according to the invention.
FIG. 2 is a front view of the vacuum cleaner of FIG. 1.
FIG. 3 is a rear view of the vacuum cleaner of FIG. 1.
FIG. 4 is a right side view of the vacuum cleaner of FIG. 1.
FIG. 5 is a left side view of the vacuum cleaner of FIG. 1.
FIG. 6 is a top plan view of the vacuum cleaner of FIG. 1; and,
FIG. 7 is a bottom plan view of the vacuum cleaner of FIG. 1.
The broken lines shown in the drawings depict portions of the vacuum cleaner that form no part of the claimed design.

1 Claim, 7 Drawing Sheets



(56)

References Cited

U.S. PATENT DOCUMENTS

D357,773 S * 4/1995 Wareham D32/23
 D362,091 S * 9/1995 Tomasiak D32/23
 D362,522 S * 9/1995 Kohler D32/23
 D373,862 S * 9/1996 Stephens D32/23
 D383,575 S * 9/1997 Griffin D32/23
 D384,448 S * 9/1997 Stephens D32/23
 D388,565 S * 12/1997 Pietrobon D32/23
 D426,355 S * 6/2000 Rohn D32/23
 D429,042 S * 8/2000 Griffin D32/23
 D429,855 S * 8/2000 Griffin D32/23
 D429,857 S * 8/2000 Griffin D32/23
 D430,713 S * 9/2000 Griffin D32/23
 D437,464 S * 2/2001 Song D32/23
 D438,353 S * 2/2001 Hoshino D32/23
 D439,709 S * 3/2001 Song D32/23
 D443,739 S * 6/2001 Young D32/23
 D447,292 S * 8/2001 Griffin D32/23
 D447,842 S * 9/2001 Griffin D32/23
 D447,843 S * 9/2001 Griffin D32/23
 D452,052 S * 12/2001 Griffin D32/23
 D454,672 S * 3/2002 Griffin D32/23
 D470,281 S * 2/2003 Griffin D32/23
 D479,023 S * 8/2003 Holsten D32/23
 D479,371 S * 9/2003 Griffin D32/23
 D486,280 S * 2/2004 Holsten D32/23
 D492,823 S * 7/2004 Hoshino D32/23
 D492,824 S * 7/2004 Tomasiak D32/23
 D494,327 S * 8/2004 Song D32/21
 D506,857 S * 6/2005 Griffin D32/23
 D507,386 S * 7/2005 Griffin D32/21
 D512,545 S * 12/2005 Griffin D32/21
 D519,251 S * 4/2006 Hoshino D32/23
 D527,504 S * 8/2006 Griffin D32/21
 D528,255 S * 9/2006 Griffin D32/21
 D537,992 S * 3/2007 Hoshino D32/24
 D569,066 S * 5/2008 Crevling, Jr. D32/31
 D573,319 S * 7/2008 Crevling, Jr. D32/21
 D573,320 S * 7/2008 Crevling, Jr. D32/23
 D581,608 S * 11/2008 Dammkoehler D32/21
 D614,369 S * 4/2010 Theising D32/31
 D615,259 S * 5/2010 Theising D32/31
 D617,514 S * 6/2010 Hollis D32/31
 D619,770 S * 7/2010 Moore, Jr. D32/24
 D634,494 S * 3/2011 Theising D32/31
 D638,181 S * 5/2011 Crevling, Jr. D32/31
 D657,101 S * 4/2012 Williams D32/23
 D666,369 S * 8/2012 Williams D32/23
 D667,597 S * 9/2012 Dammkoehler D32/21
 D670,048 S * 10/2012 Theising D32/23
 D675,388 S * 1/2013 Buck D32/21
 D675,389 S * 1/2013 Seasholtz D32/31
 D683,090 S * 5/2013 Griffin D32/23
 D683,091 S * 5/2013 Griffin D32/23
 D715,505 S * 10/2014 Dammkoehler D32/21

D740,504 S * 10/2015 Williams D32/31
 D743,655 S * 11/2015 Holsten D32/31
 D802,861 S * 11/2017 Jin D32/21
 D830,014 S * 10/2018 Jin D32/21
 D866,886 S * 11/2019 Knight D32/21
 D867,702 S * 11/2019 Wall D32/31
 D868,404 S * 11/2019 Wall D32/21
 D874,760 S * 2/2020 Knight D32/21
 D874,765 S * 2/2020 Sanders D32/31
 D876,734 S * 2/2020 Chen D32/21
 D877,433 S * 3/2020 Fry D32/31
 D915,698 S * 4/2021 Wall D32/21
 D929,687 S * 8/2021 Sanders D32/21
 D934,518 S * 10/2021 Wall D32/21
 D946,839 S * 3/2022 Eskridge D32/21
 D950,173 S * 4/2022 Eskridge D32/21
 D959,073 S * 7/2022 Eskridge D32/21
 2014/0201943 A1 * 7/2014 Williams A47L 5/365
 277/412

OTHER PUBLICATIONS

DeWalt 9-Gallon Corded Portable Wet/Dry Shop Vacuum, available in lowes.com, customer review oldest date Sep. 21, 2018 [online], [site visited Mar. 12, 2022], Available from the internet URL: <https://www.lowes.com/pd/DEWALT-9-Gallon-5-HP-Portable-Wet-Dry-Shop-Vacuum/1000533395> (Year: 2018).*

DeWalt DXV09P 9 Gallon 5-Horse Power Poly Wet/Dry Vacuum, available in google.com, customer review oldest date Sep. 24, 2018 [online], [site visited Mar. 12, 2022], Available from the internet URL: <https://www.google.com/shopping/product/r/US/7484151547477617727> (Year: 2018).*

Hart 3-in-1 Wet/Dry Shampoo Vac, available in walmart.com, customer review oldest date Nov. 19, 2021 [online], [site visited Mar. 12, 2022], Available from the internet URL: <https://www.walmart.com/ip/HART-3-in-1-Wet-Dry-Shampoo-Vac-6-Gallon-5-5-Peak-HP-Vacuum-Cleaners/685999837> (Year: 2021).*

Vacmaster 5-Gallon 3 Peak HP Wet/Dry Vacuum, available in acehardware.com, customer review oldest date Jul. 3, 2018 [online], [site visited Mar. 12, 2022], Available from the internet URL: <https://www.walmart.com/ip/Vacmaster-5-Gallon-3-Peak-HP-Wet-Dry-Vacuum-VOC507PF/309274039> (Year: 2018).*

DeWalt 16 Gallon Poly Wet Dry Vacuum, available in Amazon.com, customer review oldest date Jun. 26, 2020 [online], [site visited Jul. 18, 2022], Available from the internet URL: https://www.amazon.com/Gallon-Vacuum-Vacuums-Blower-Multifunction/dp/B07Y3FF3SK/ref=cm_cr_arp_d_pl_foot_top (Year: 2020).*

Stanley 12 Gallon 5.5 Peak HP Wet/Dry Vacuum, available in Amazon.com, date first available Mar. 4, 2014 [online], [site visited Jul. 18, 2022], Available from the internet URL: https://www.amazon.com/dp/B00IS94BW8/ref=emc_b_5_t (Year: 2014).*

* cited by examiner

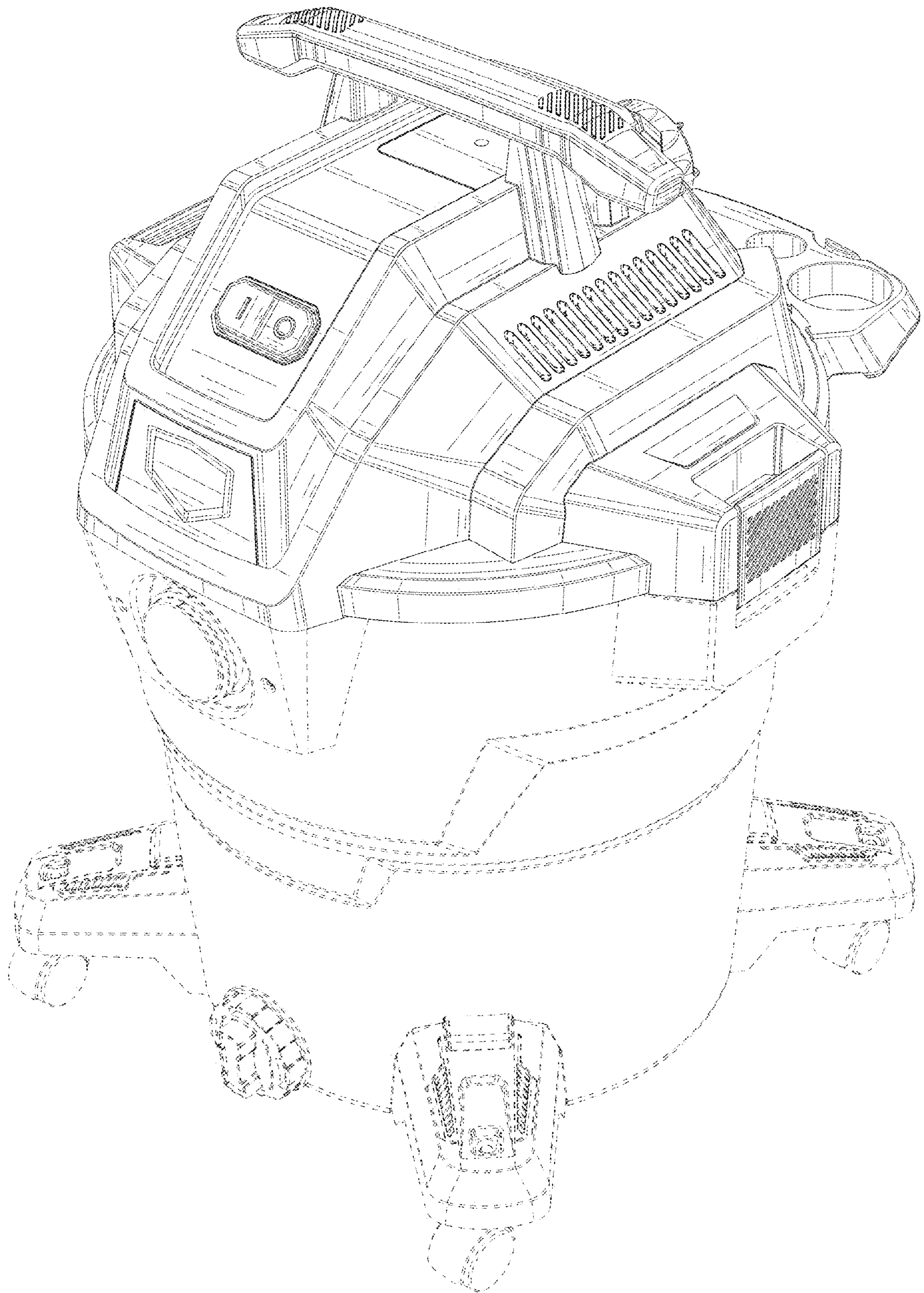


FIG. 1

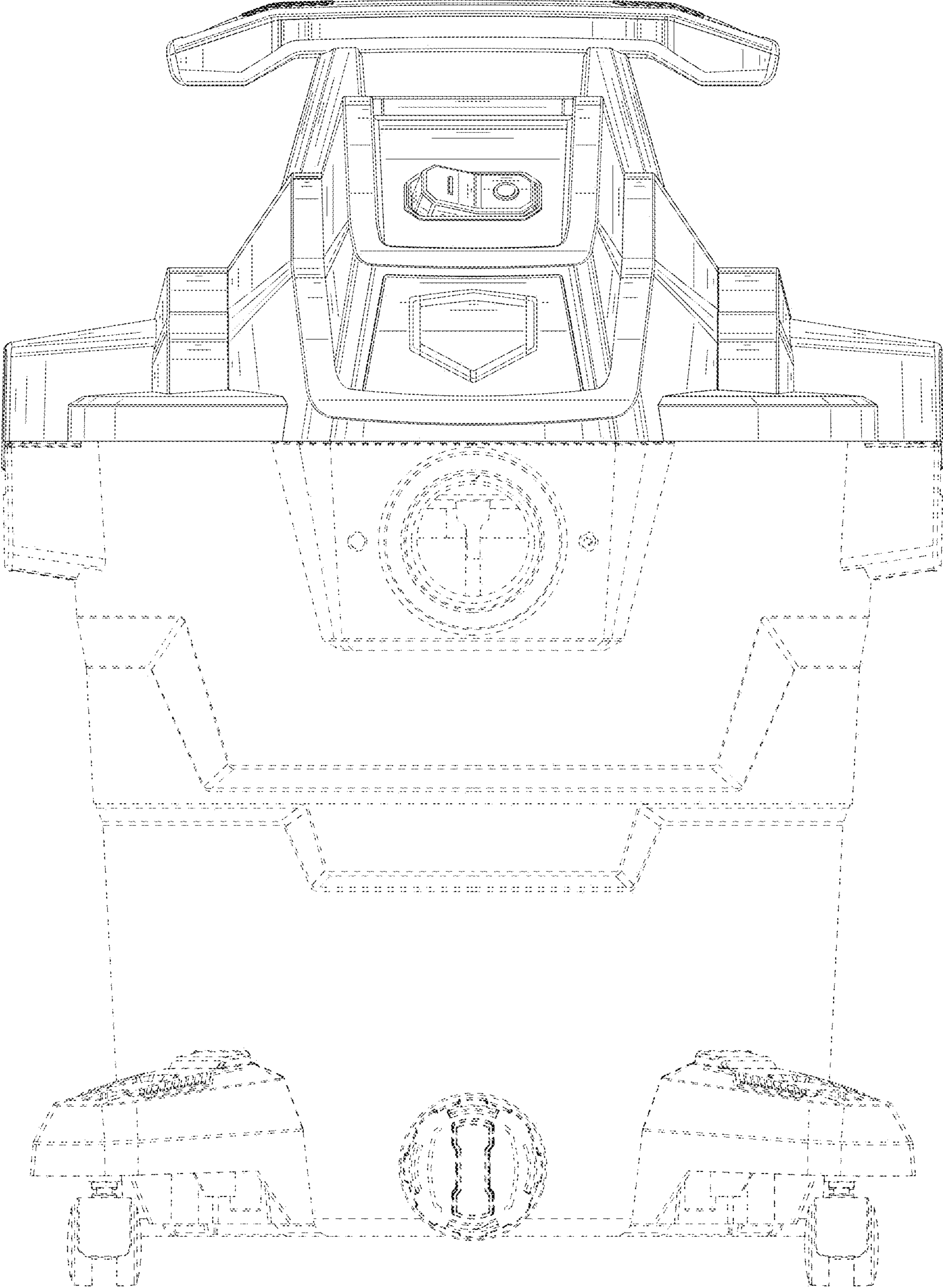


FIG. 2

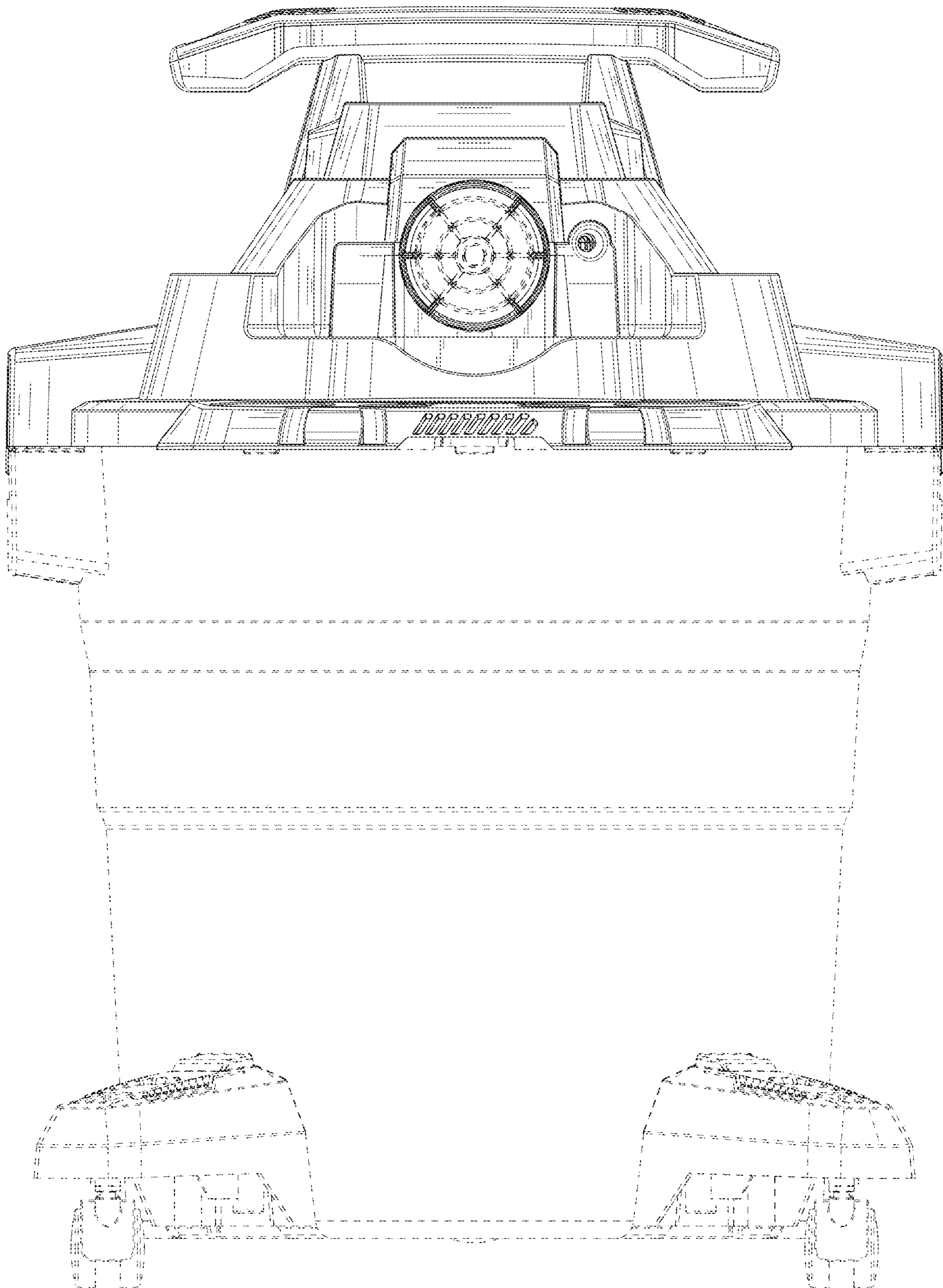


FIG. 3

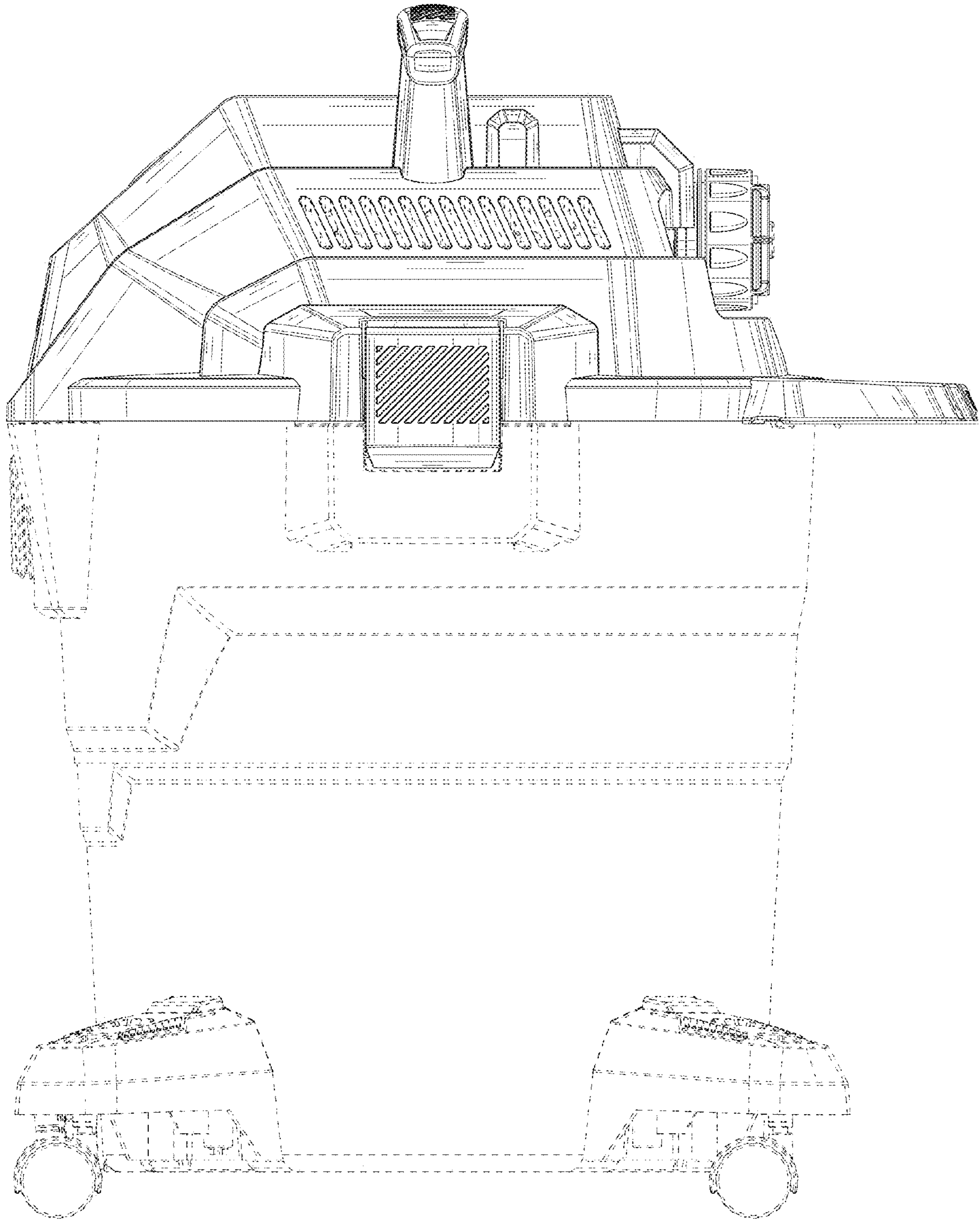


FIG. 4

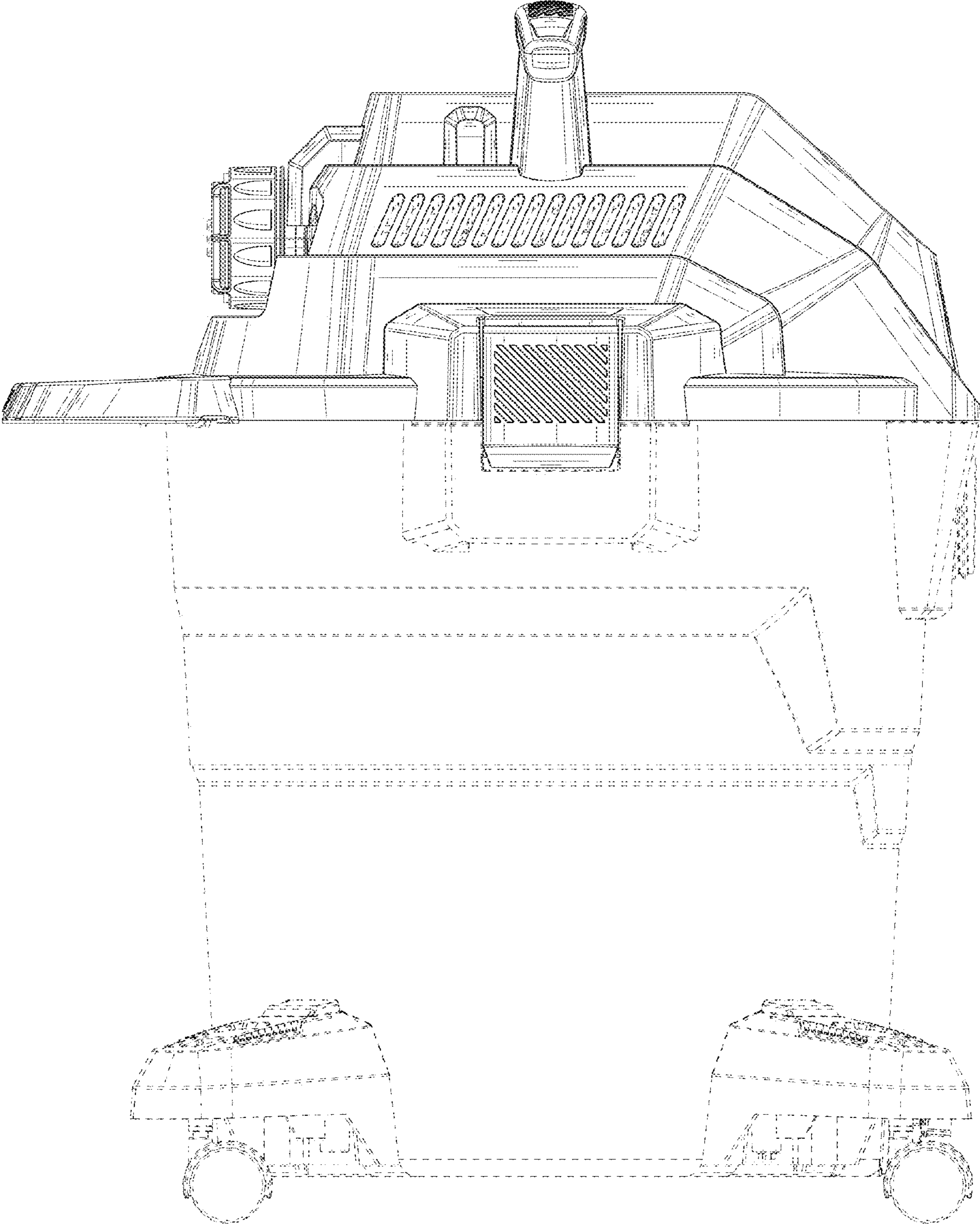


FIG. 5

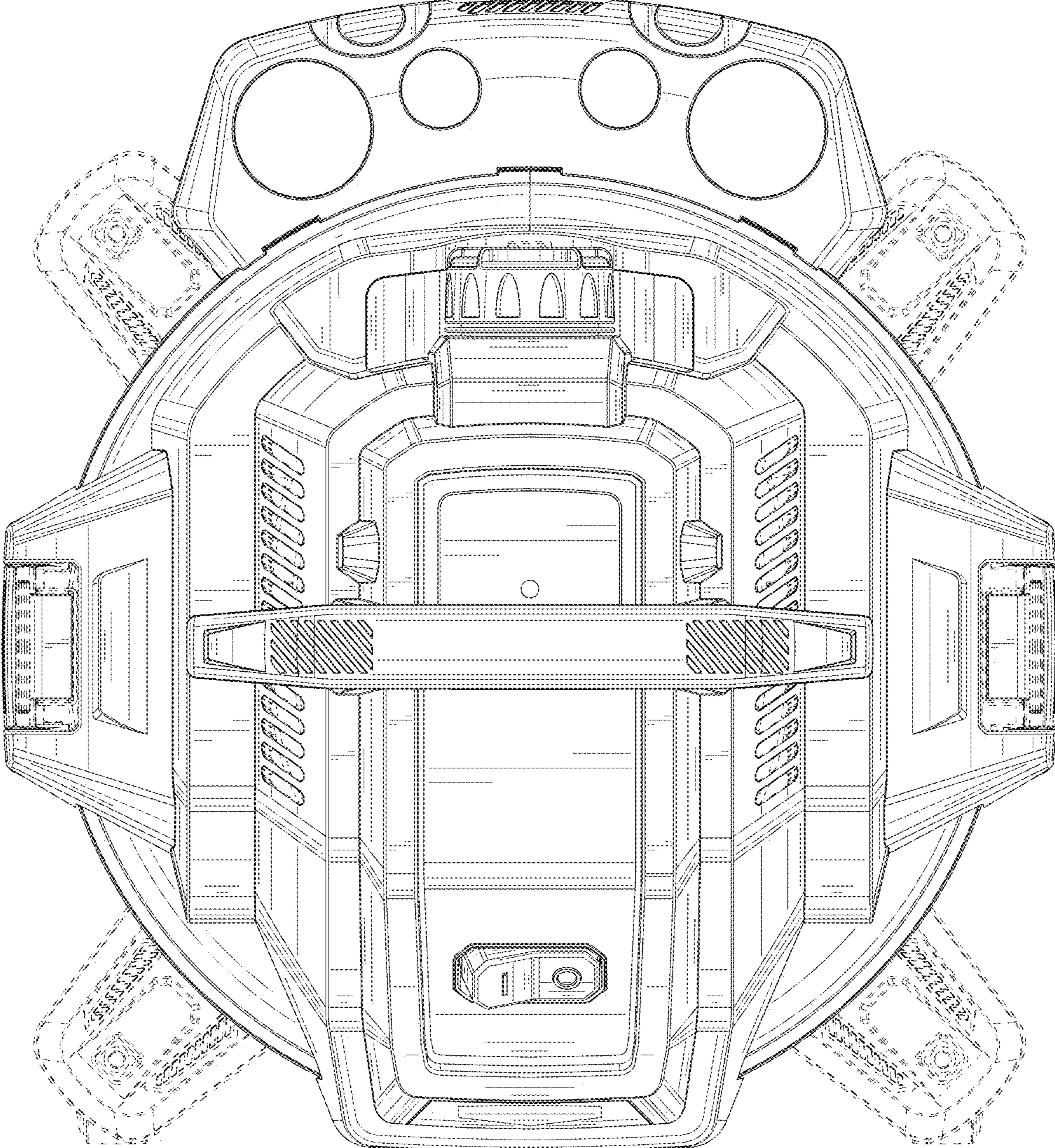


FIG. 6

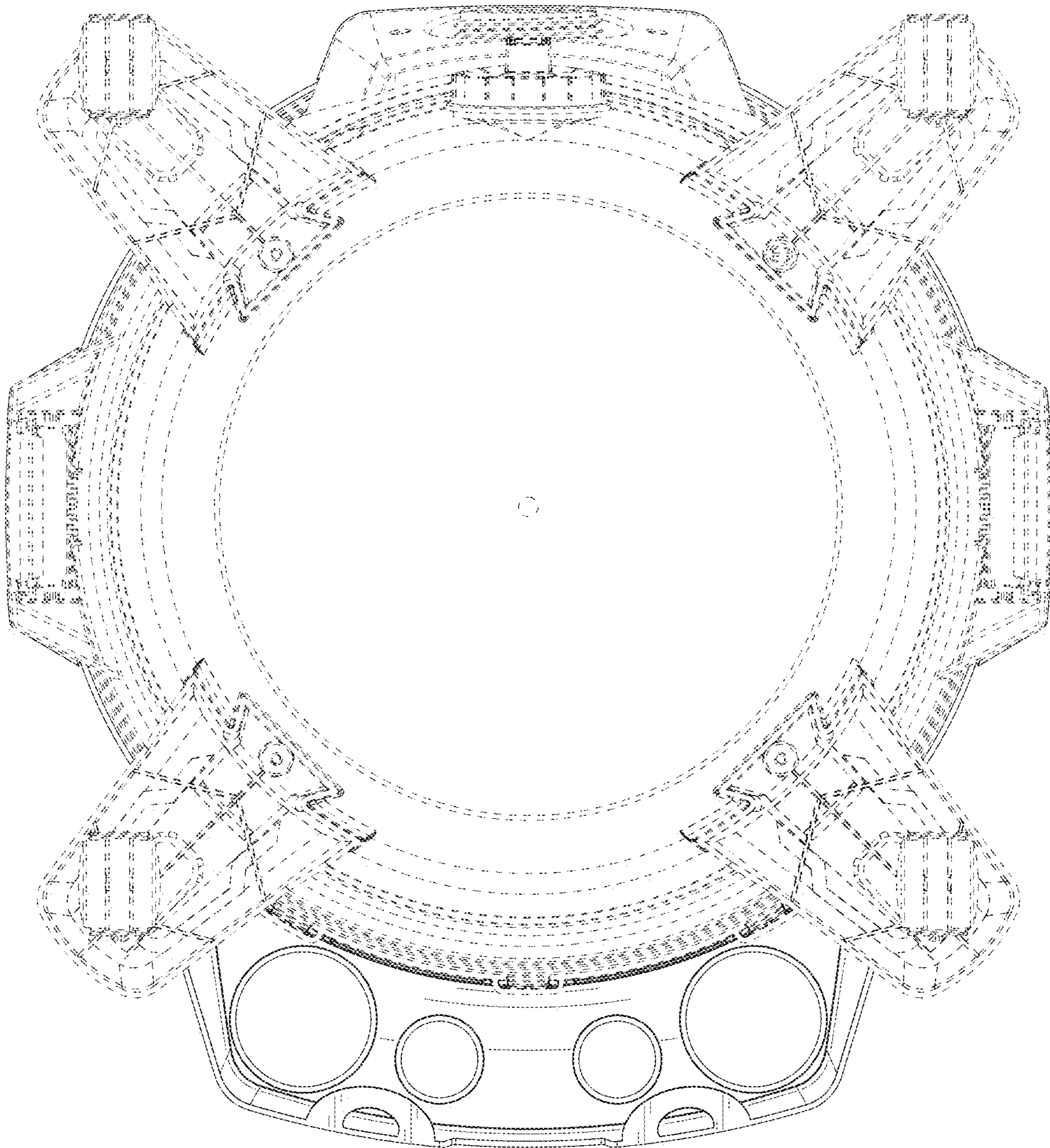


FIG. 7